



US00D396235S

United States Patent [19]

Tate et al.

[11] Patent Number: **Des. 396,235**

[45] Date of Patent: ****Jul. 21, 1998**

[54] **NOISE CONTROL APERTURE**

[76] Inventors: **Joseph B. Tate**, P.O. Box 153,
Sausalito, Calif. 94966; **Steven B. Wolff**, P.O. Box 1061, Woodacre, Calif.
94973

[**] Term: **14 Years**

[21] Appl. No.: **60,838**

[22] Filed: **Oct. 8, 1996**

[51] LOC (6) Cl. **14-03**

[52] U.S. Cl. **D14/240; D14/249**

[58] **Field of Search** 381/72.88, 93.4,
381/94.1; D14/137, 138, 140, 142, 147,
148, 240, 249, 250; 361/303, 313; 379/419,
420, 428, 440, 451, 452, 430, 433, 439,
437, 441, 442, 447; 455/90; 333/185, 181

[56] **References Cited**

U.S. PATENT DOCUMENTS

D. 29,707	11/1898	Mulconroy	D14/249
D. 135,303	3/1943	Scher	D14/249
D. 216,802	3/1970	Kliewer	D14/249
D. 320,798	10/1991	Holt	D14/249
2,851,544	9/1958	Wisdom	379/450 X
3,231,688	1/1966	Ugartechea	379/447
4,823,384	4/1989	Lindsay	379/441
5,117,461	5/1992	Moseley	381/72
5,182,774	1/1993	Bourk	379/430 X
5,268,965	12/1993	Badie et al.	381/91
5,282,245	1/1994	Anderson	379/433
5,329,593	7/1994	Lazzeroni et al.	381/168

5,341,420	8/1994	Hollier et al.	379/433
5,343,523	8/1994	Bartlett et al.	379/430
5,394,467	2/1995	Kepley, III et al.	379/438
5,448,637	9/1995	Yamaguchi et al.	379/430
5,491,747	2/1996	Bartlett et al.	379/433
5,524,058	6/1996	Moseley	381/72

FOREIGN PATENT DOCUMENTS

455160	7/1950	Italy	379/452
--------	--------	-------	-------	---------

Primary Examiner—Jeffrey Asch
Attorney, Agent, or Firm—Burns, Doane, Swecker & Mathis, L.L.P.

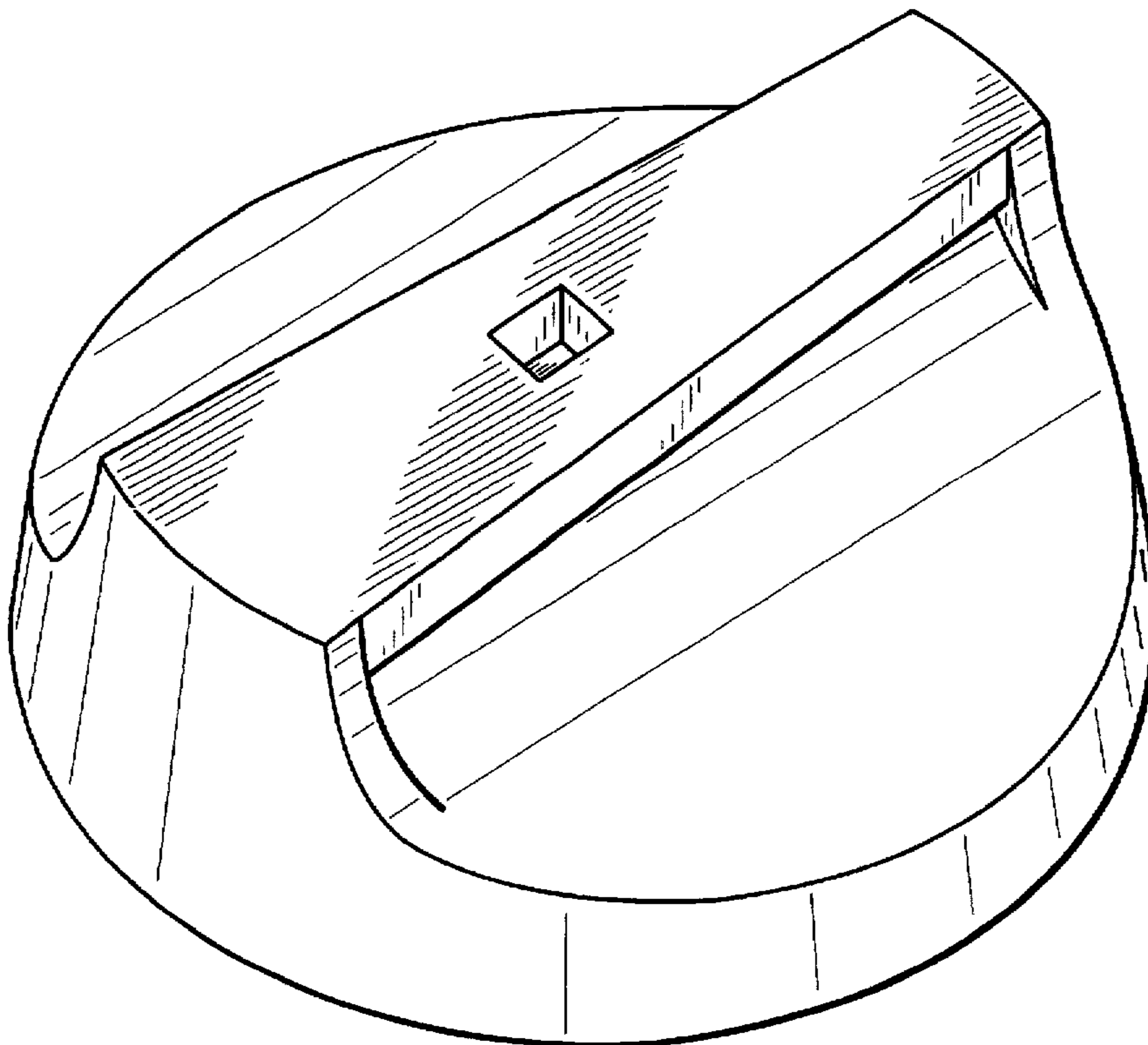
[57] **CLAIM**

The ornamental design for a noise control aperture, as shown and described.

DESCRIPTION

FIG. 1 is a perspective view as seen from the rear and upper left of a noise control aperture showing our new design; FIG. 2 is a top plan view thereof; FIG. 3 is a right side elevational view thereof; FIG. 4 is a left side elevational view thereof; FIG. 5 is a front elevational view thereof; FIG. 6 is a rear elevational view thereof; FIG. 7 is a bottom plan view thereof; and, FIG. 8 is a sectional view taken along line 8—8 of FIG. 2, the portions of the sectional view shown in broken lines are for illustrative purposes only and form no part of the claimed design, it being understood that the broken lines define the boundaries of, but are not included in, the claimed design.

1 Claim, 3 Drawing Sheets



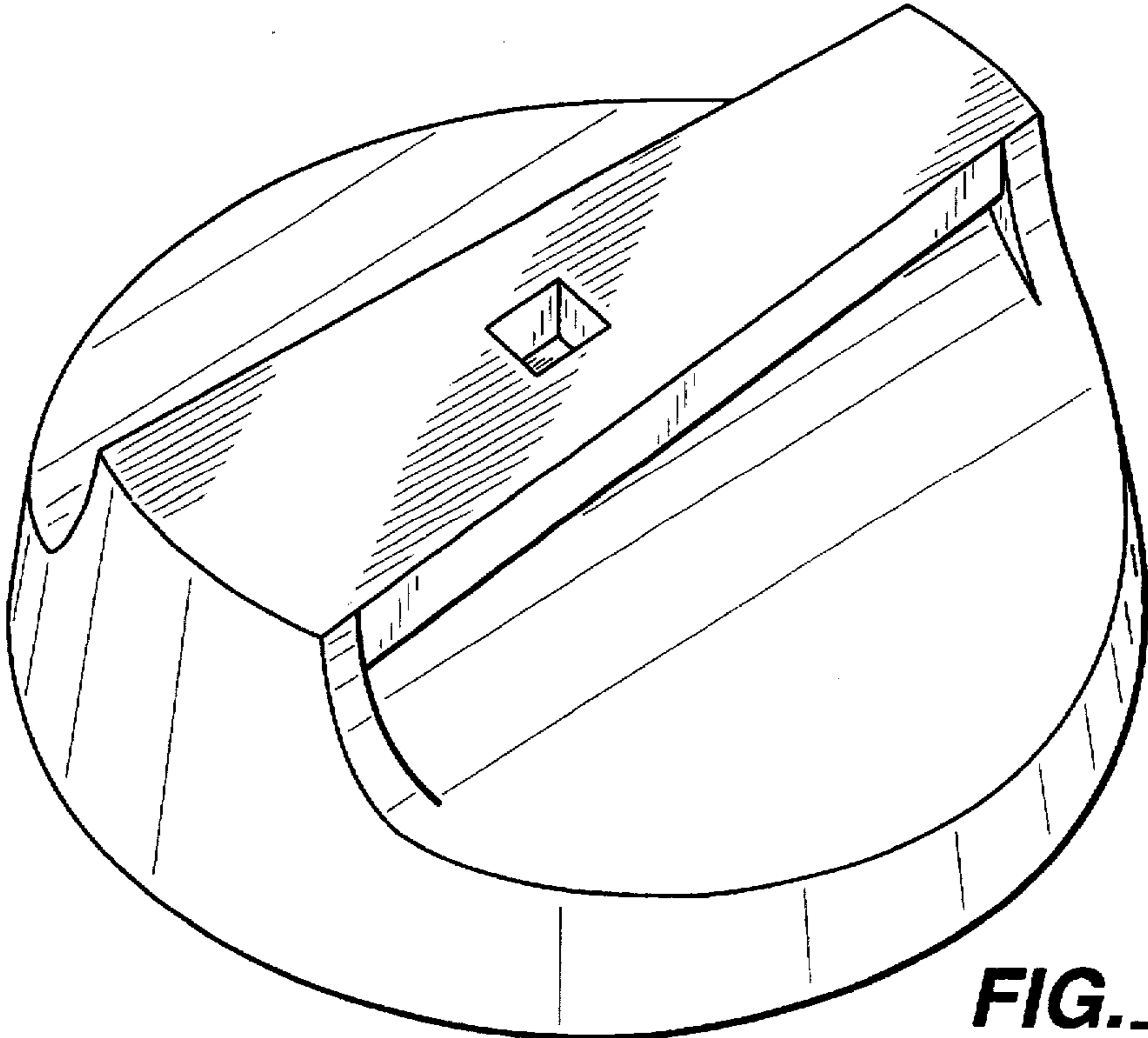


FIG._1

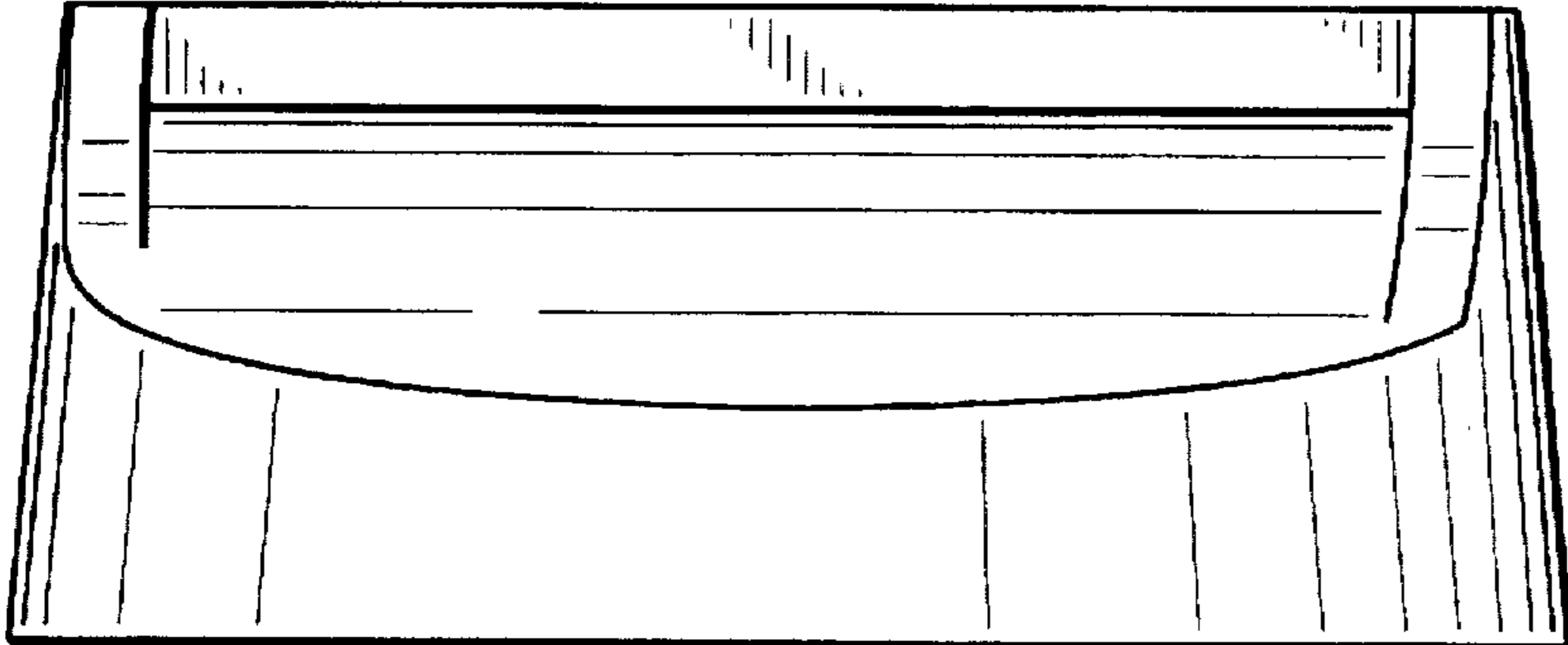


FIG._3

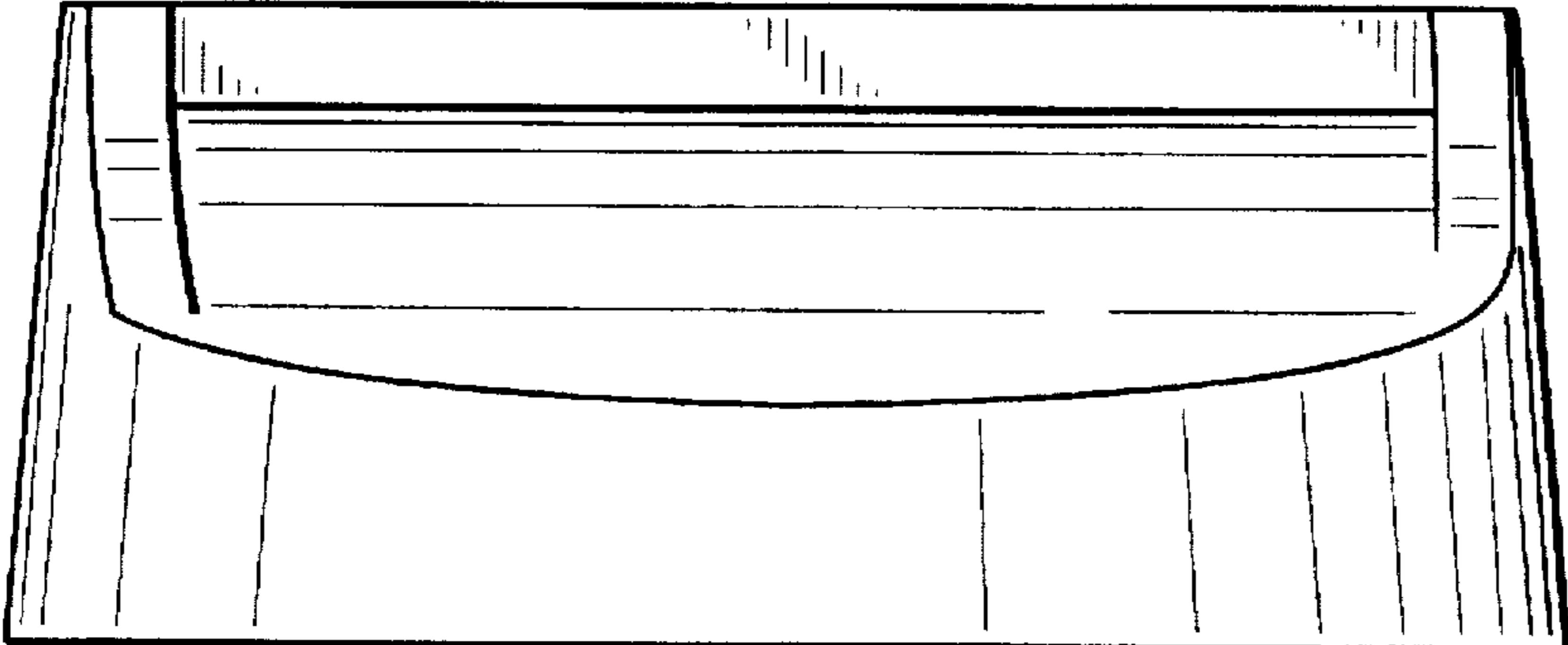


FIG._4

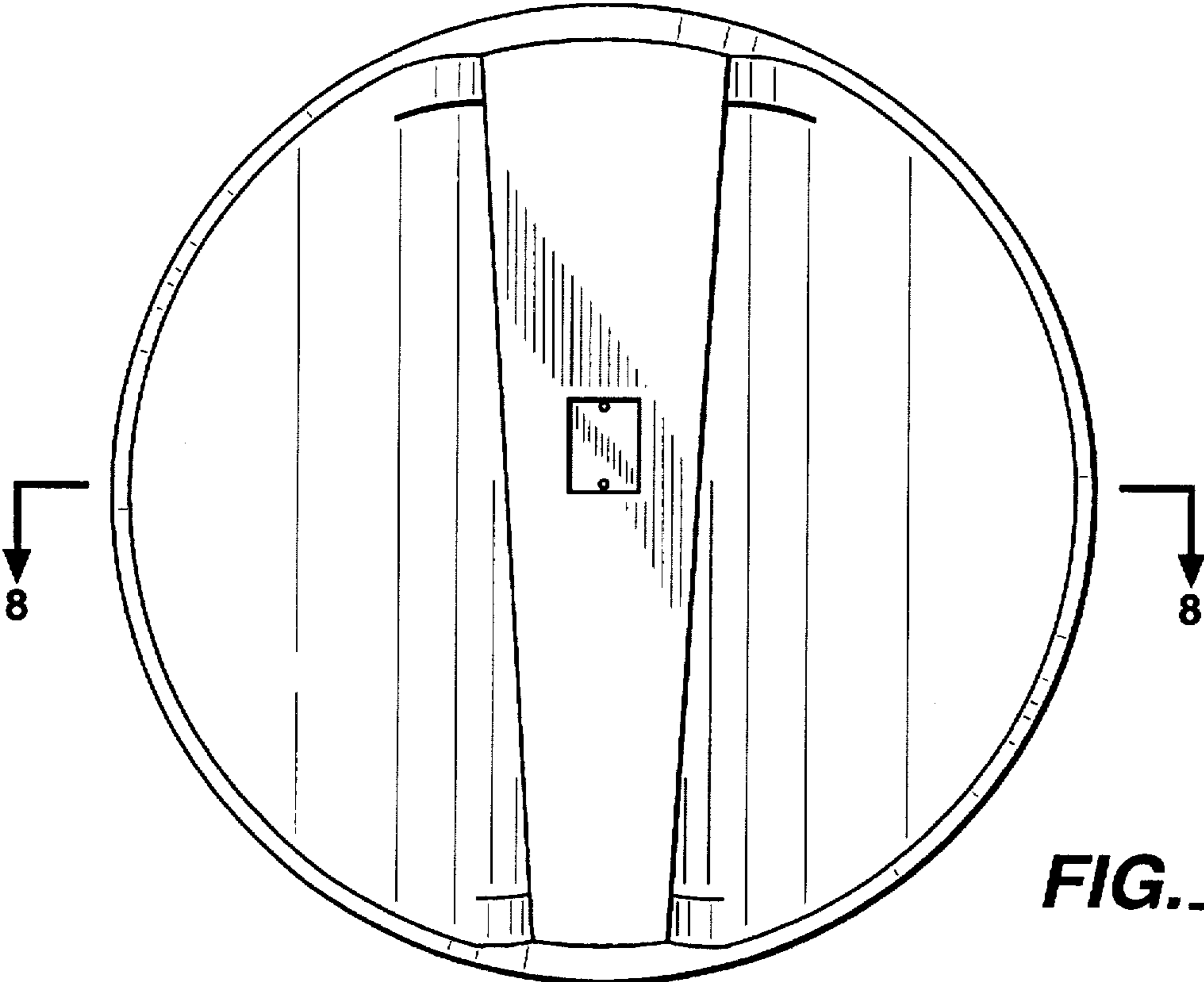


FIG._2

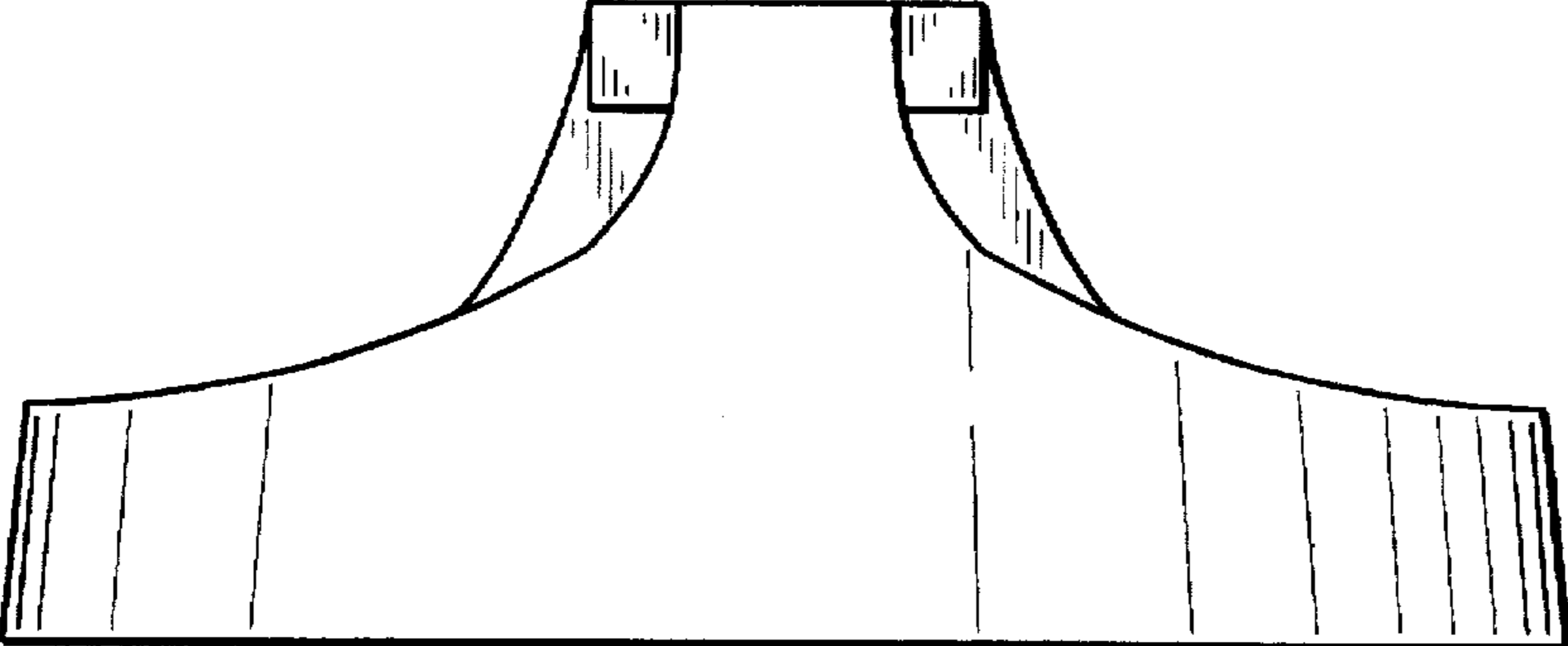


FIG._5

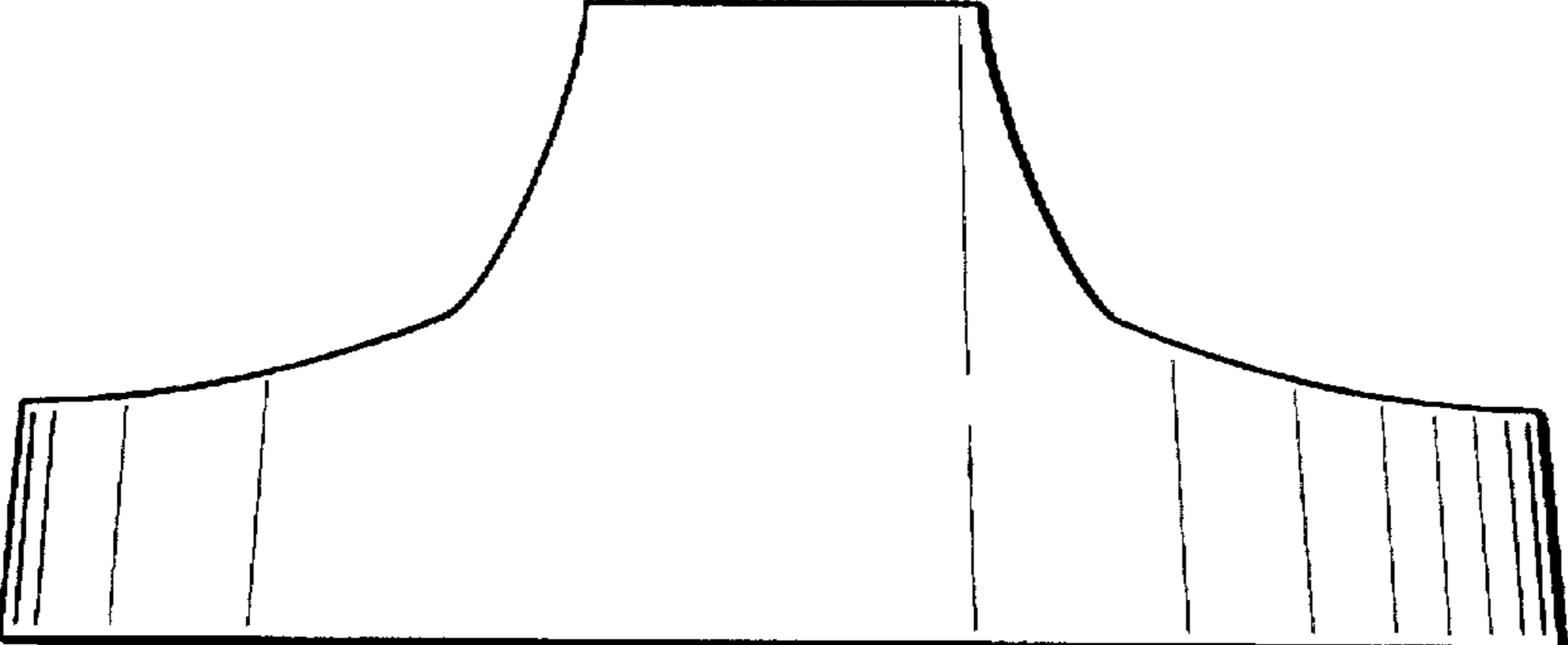


FIG._6

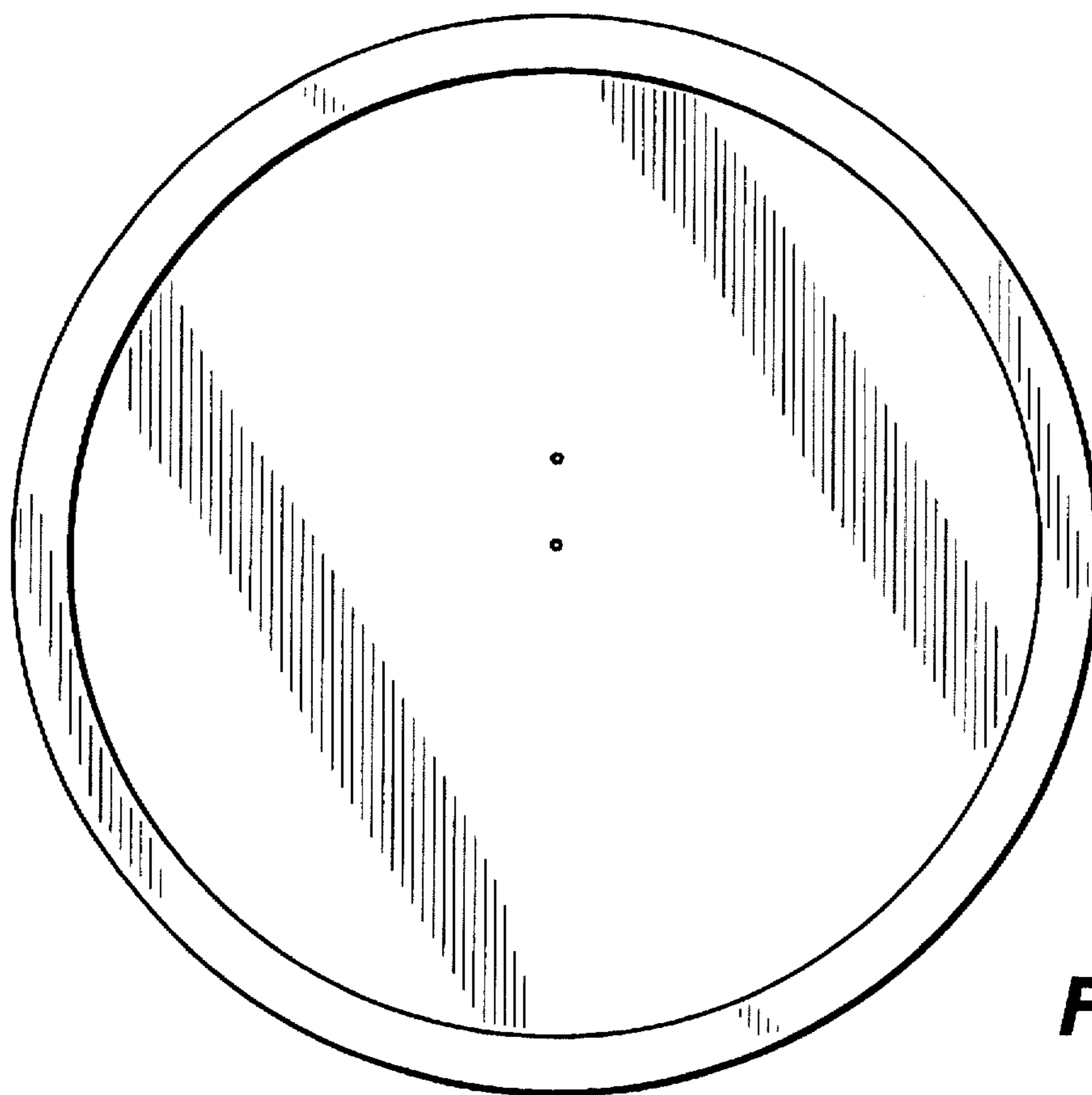


FIG. 7

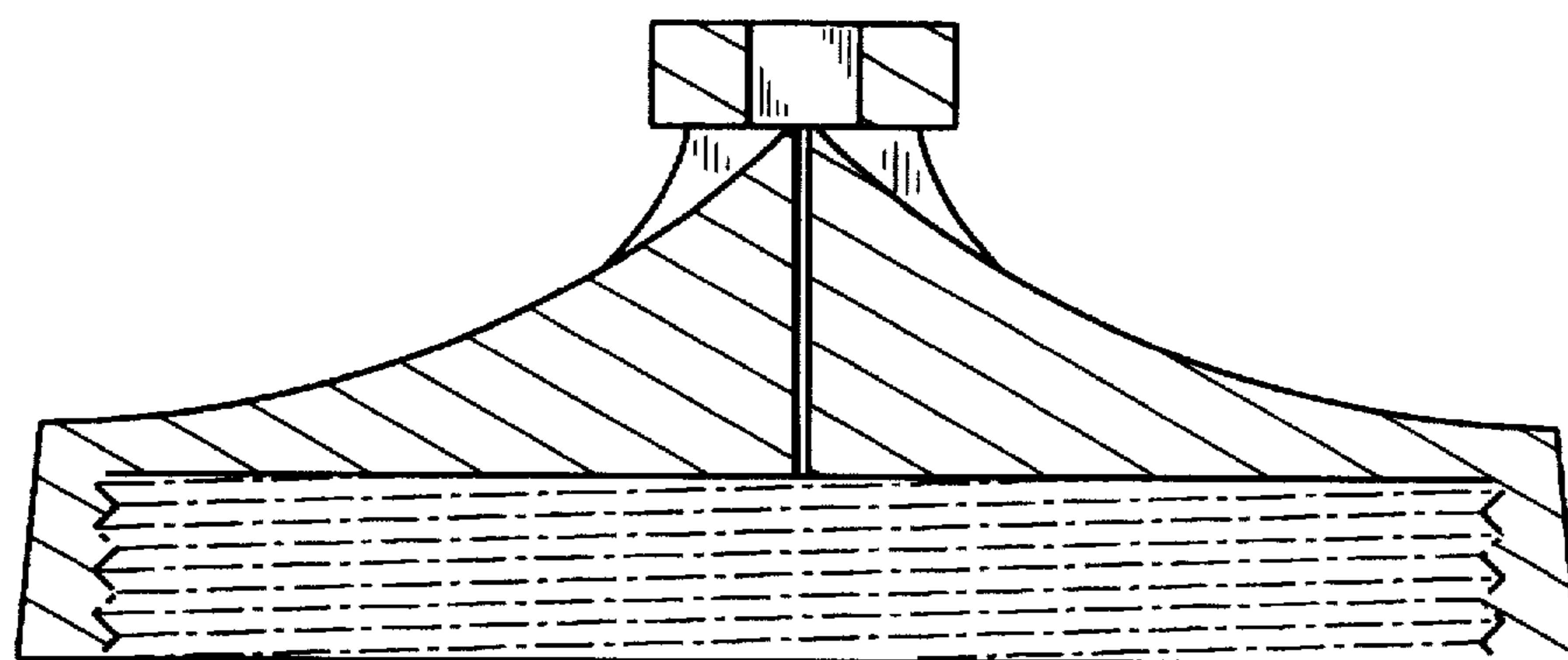


FIG. 8