



US00D396229S

United States Patent [19]

Williams

[11] Patent Number: Des. 396,229

[45] Date of Patent: **Jul. 21, 1998

[54] COMBINED TELEVISION, RADIO AND COMPACT DISC PLAYER CONSOLE

[76] Inventor: James J. Williams, 2824 Darien St., Shreveport, La. 71109

[**] Term: 14 Years

[21] Appl. No.: 74,902

[22] Filed: Aug. 11, 1997

[51] LOC (6) Cl. 14-03

[52] U.S. Cl. D14/129; D14/133

[58] Field of Search D14/113, 124-134; 312/7.2; 348/836, 838

[56] **References Cited**

U.S. PATENT DOCUMENTS

D. 219,886	2/1971	Polhemus	D14/133
D. 266,423	10/1982	Boldt et al.	D14/133
D. 317,601	6/1991	Kawanabe	D14/133
D. 317,604	6/1991	Abe et al.	D14/133
D. 319,230	8/1991	Sugiyama	D14/133
D. 369,795	5/1996	Williams	D14/129

OTHER PUBLICATIONS

Video Review, p. 55, Mitsubishi CK-2630R, Oct. 1989.

Primary Examiner—Ted Shooman

Assistant Examiner—Richelle Shelton

Attorney, Agent, or Firm—John M. Harrison

[57] **CLAIM**

The ornamental design for a combined television, radio and compact disc player console, as shown and described.

DESCRIPTION

FIG. 1 is a front elevation of the combined television, radio and compact disc player console, showing my new design;

FIG. 2 is a rear elevation of the combined television, radio and compact disc player console;

FIG. 3 is a left side elevation thereof;

FIG. 4 is a right side elevation thereof;

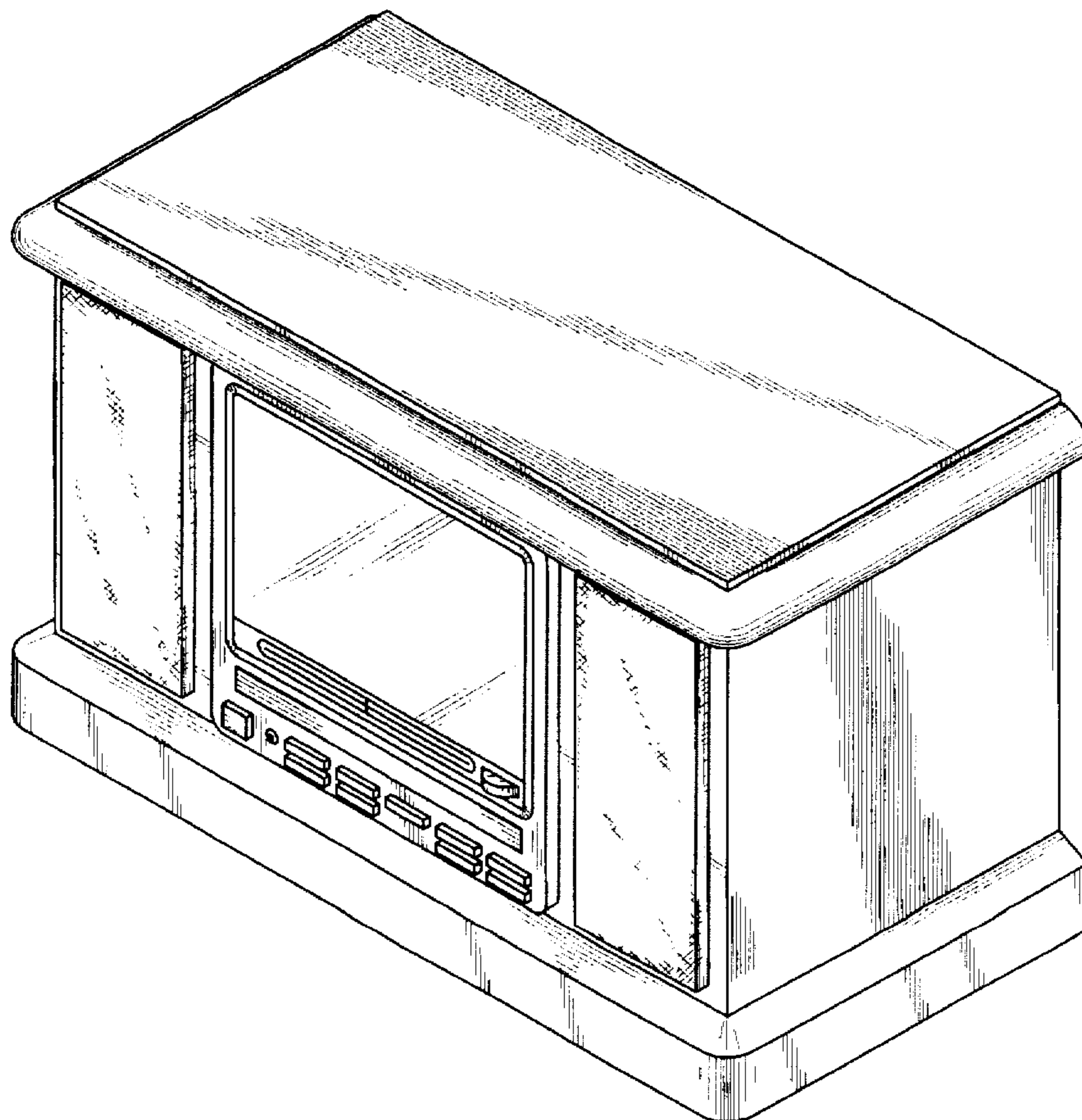
FIG. 5 is a top elevation thereof;

FIG. 6 is a bottom elevation thereof;

FIG. 7 is a front perspective view thereof; and,

FIG. 8 is a rear positive view of the combined television, radio and compact disc player console illustrated in FIGS. 1-7.

1 Claim, 5 Drawing Sheets



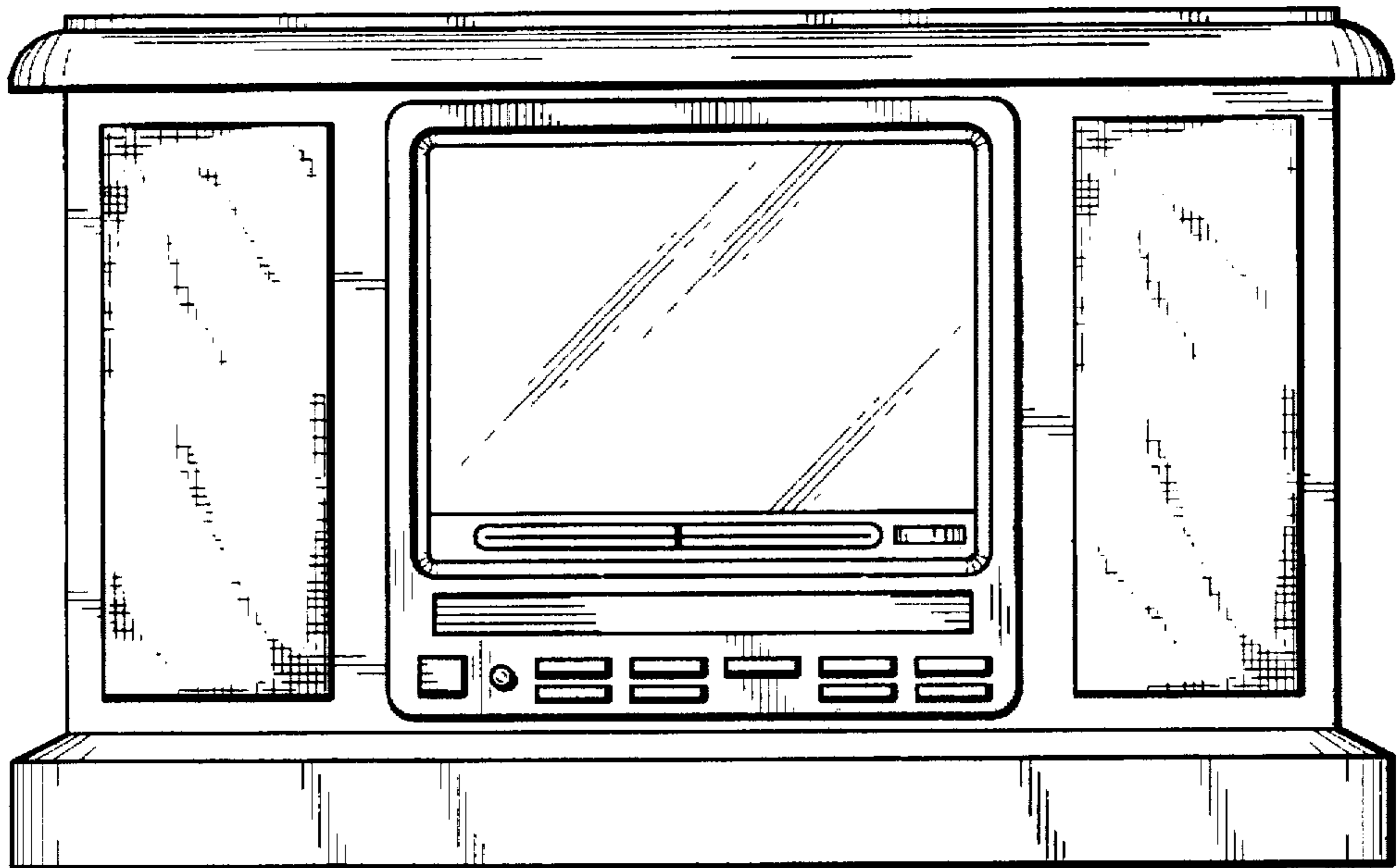


Fig. 1

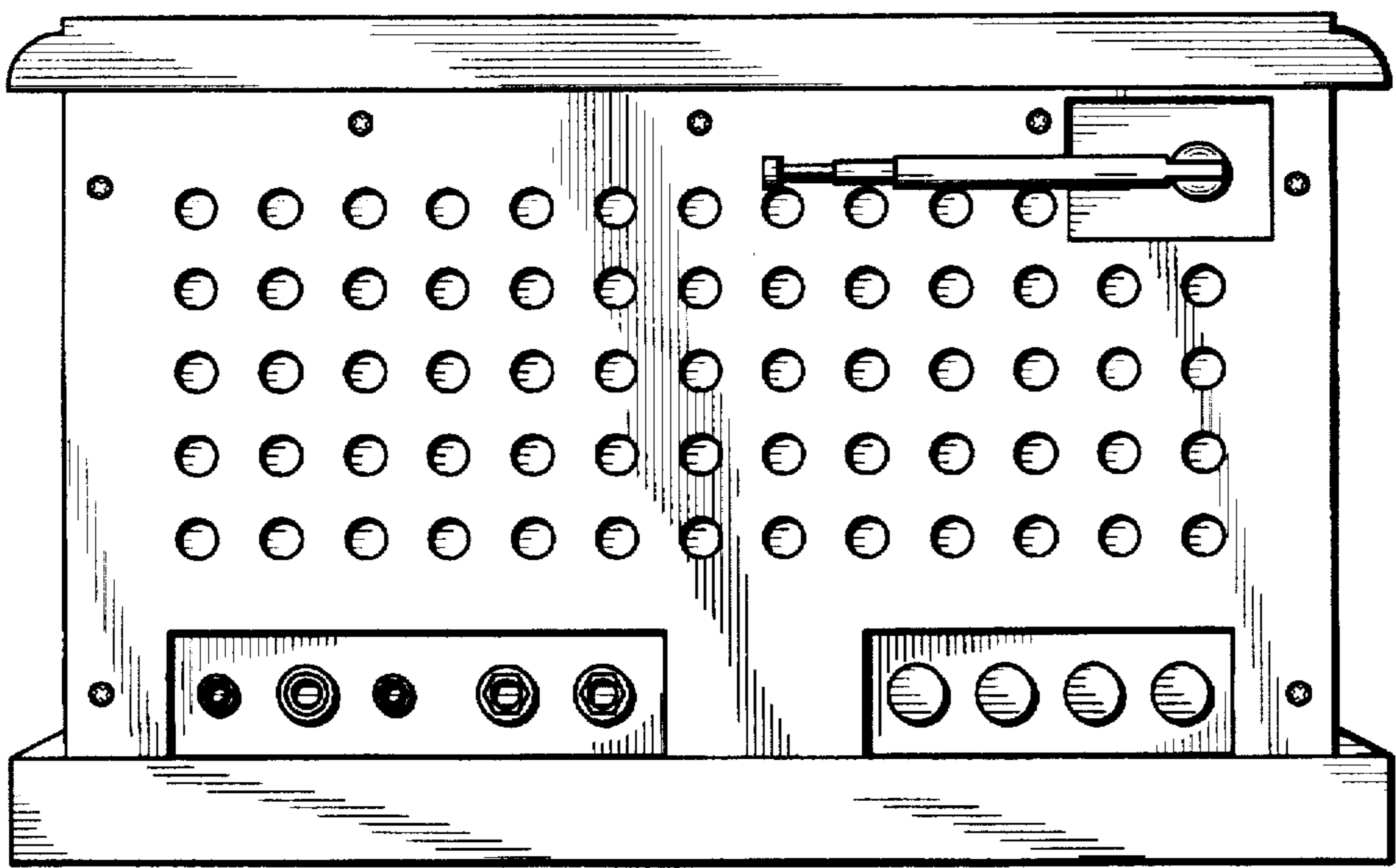


Fig. 2

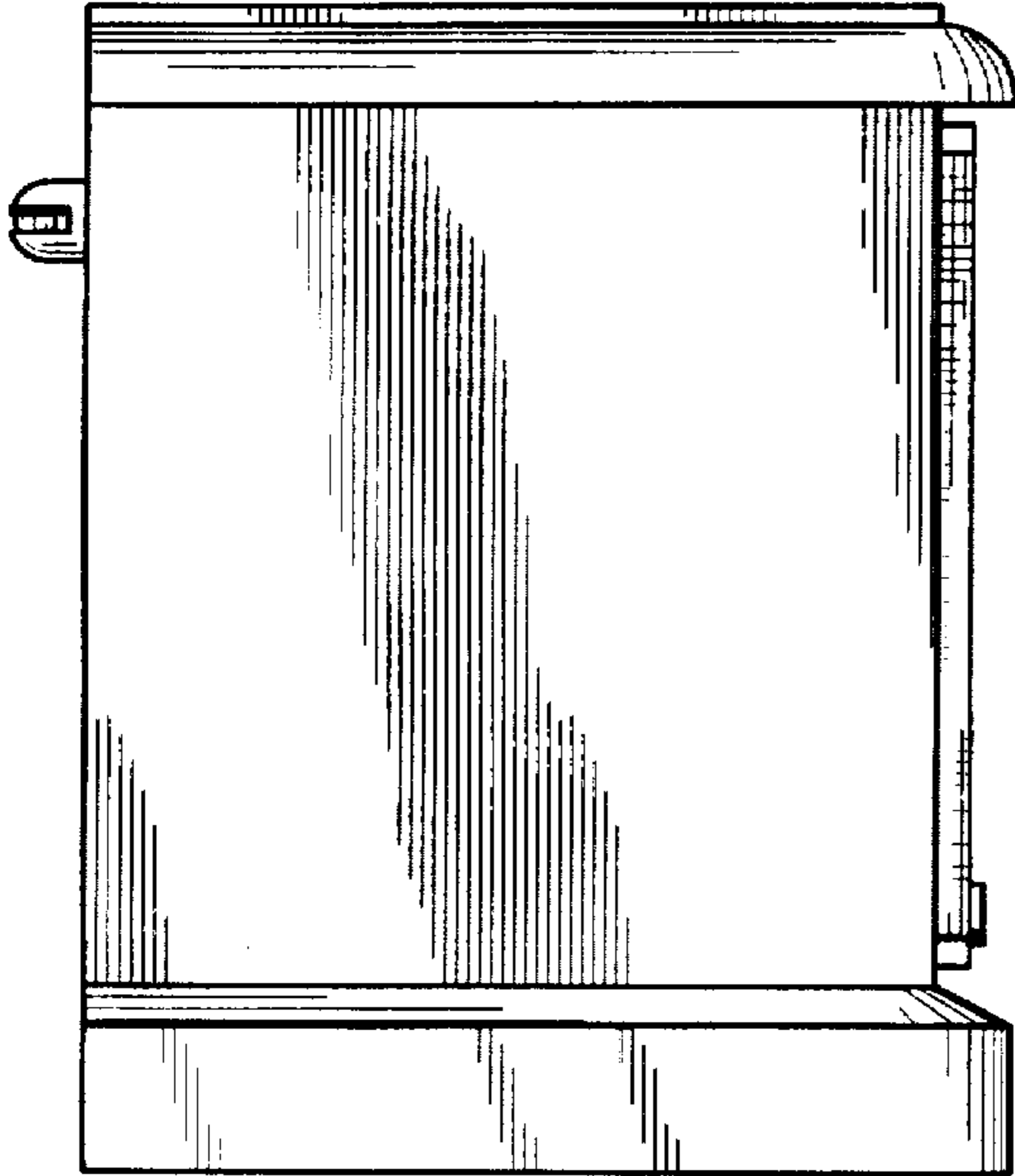


Fig. 3

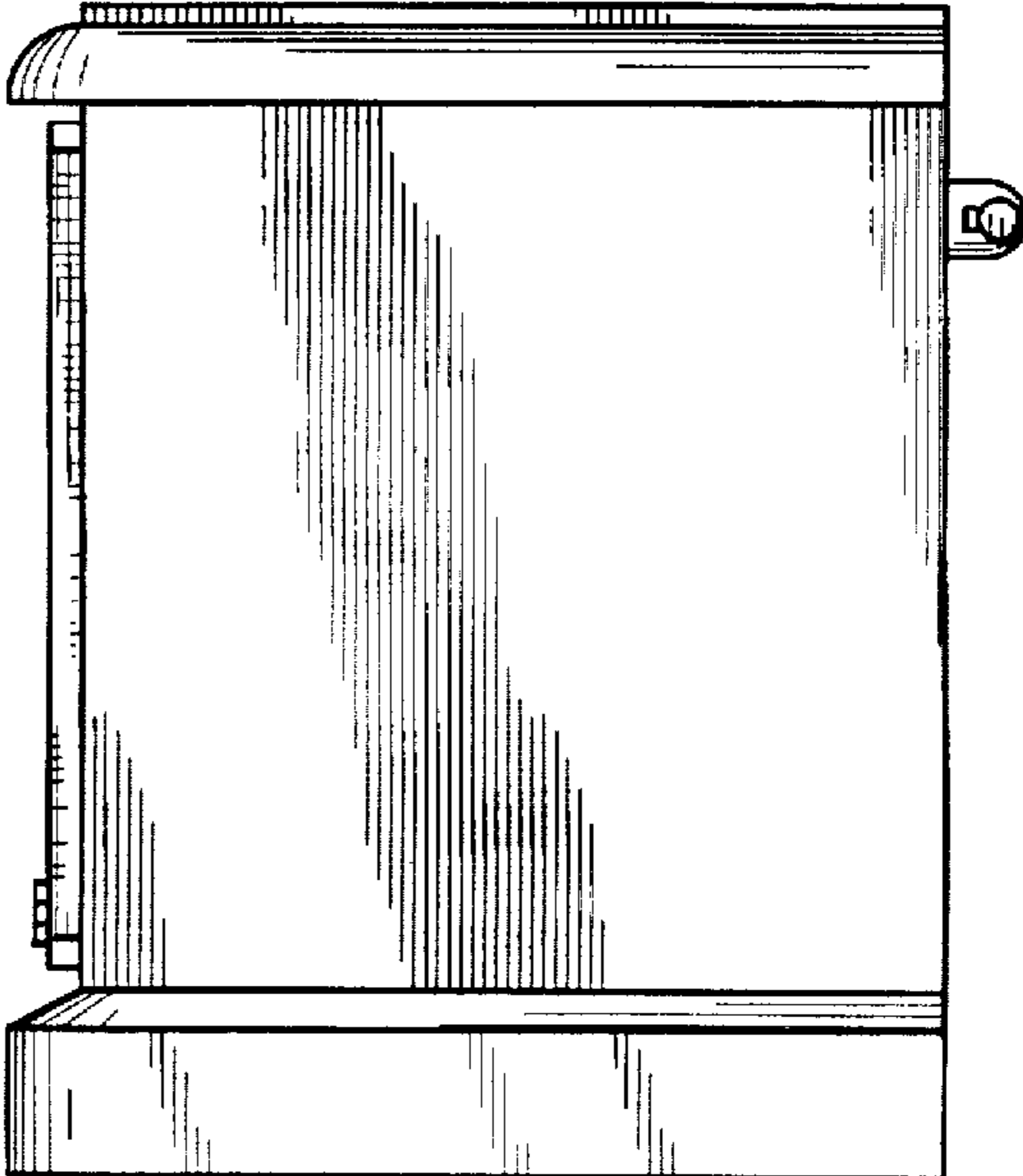


Fig. 4

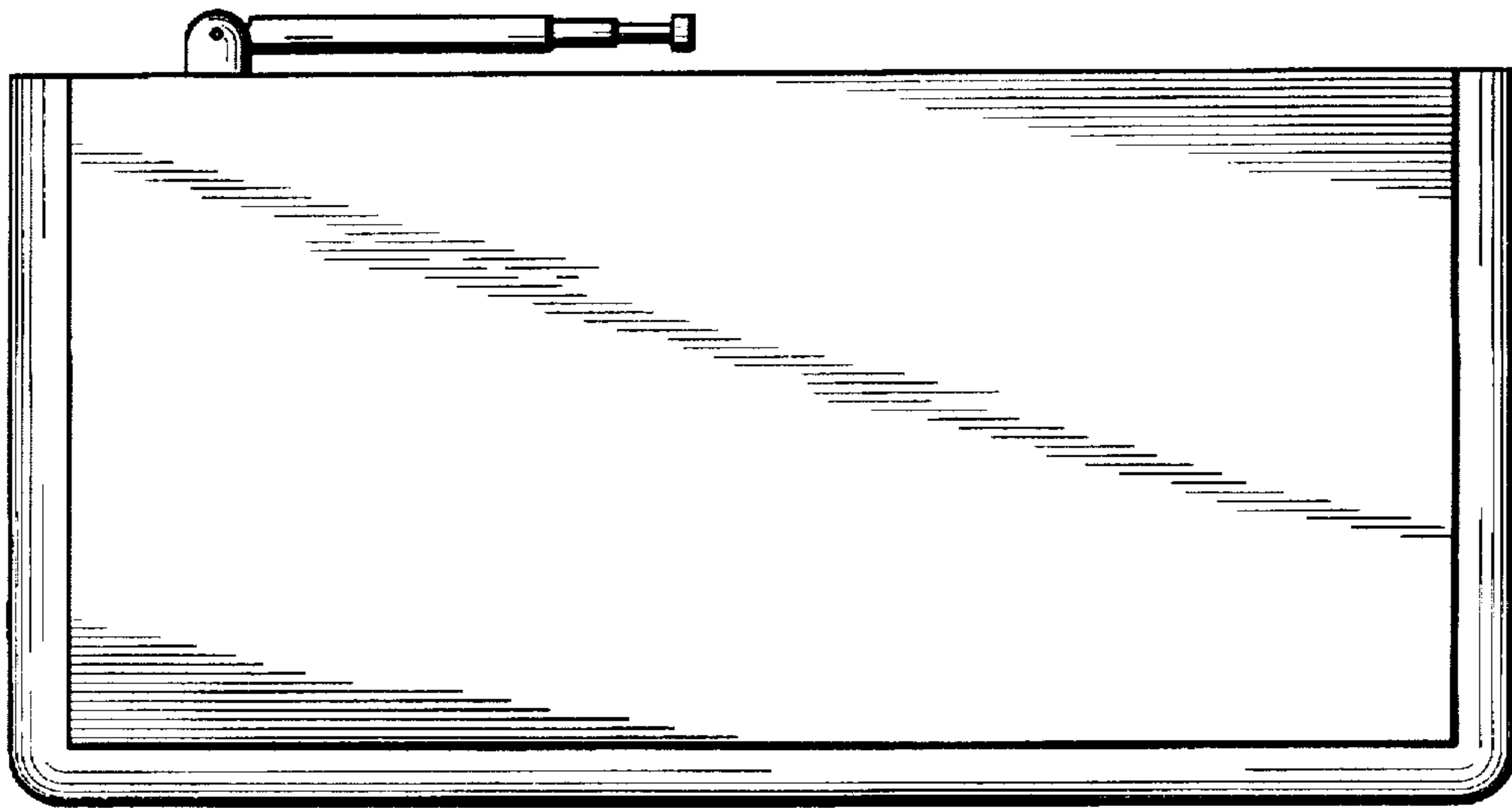


Fig. 5

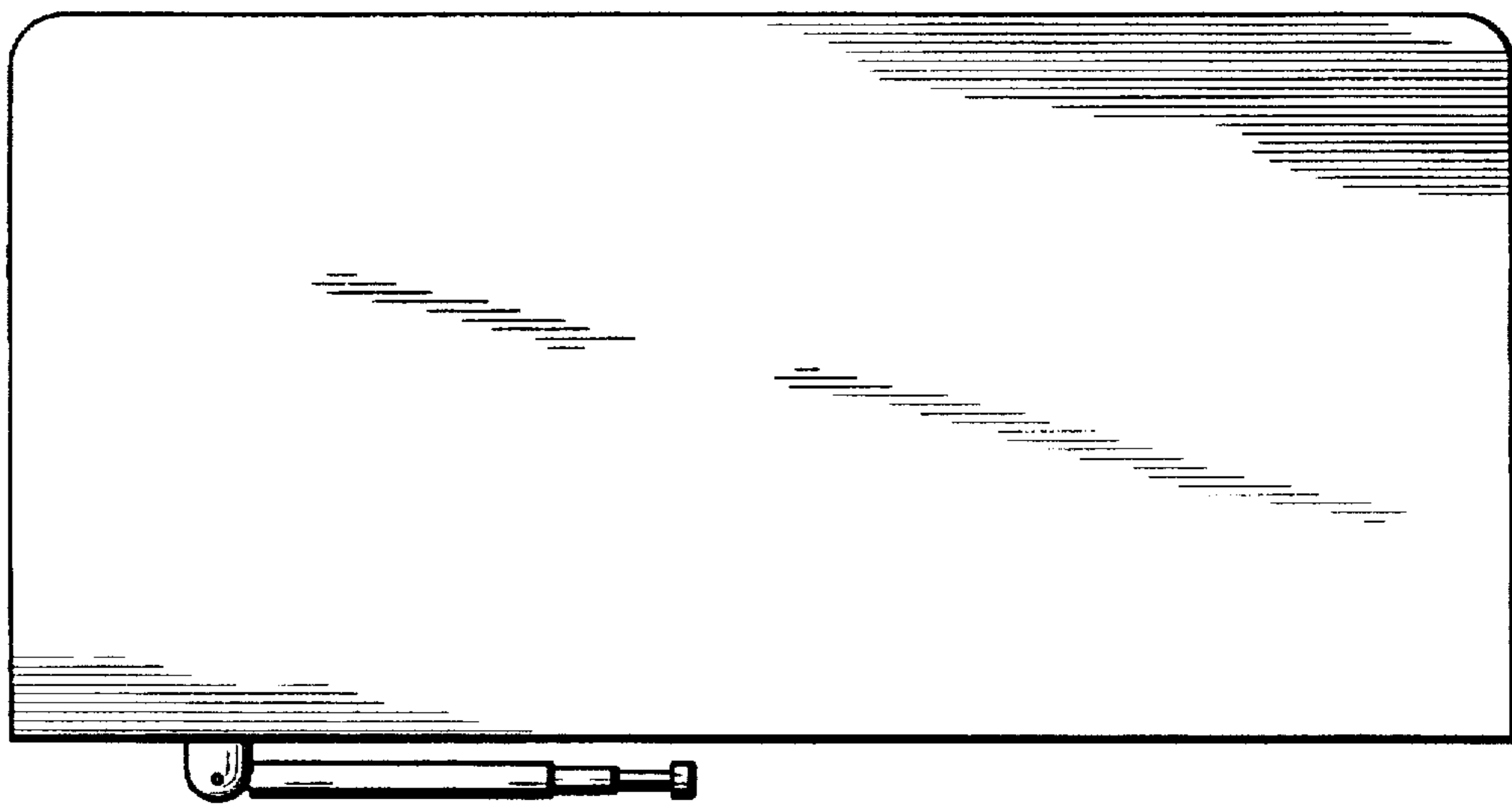


Fig. 6

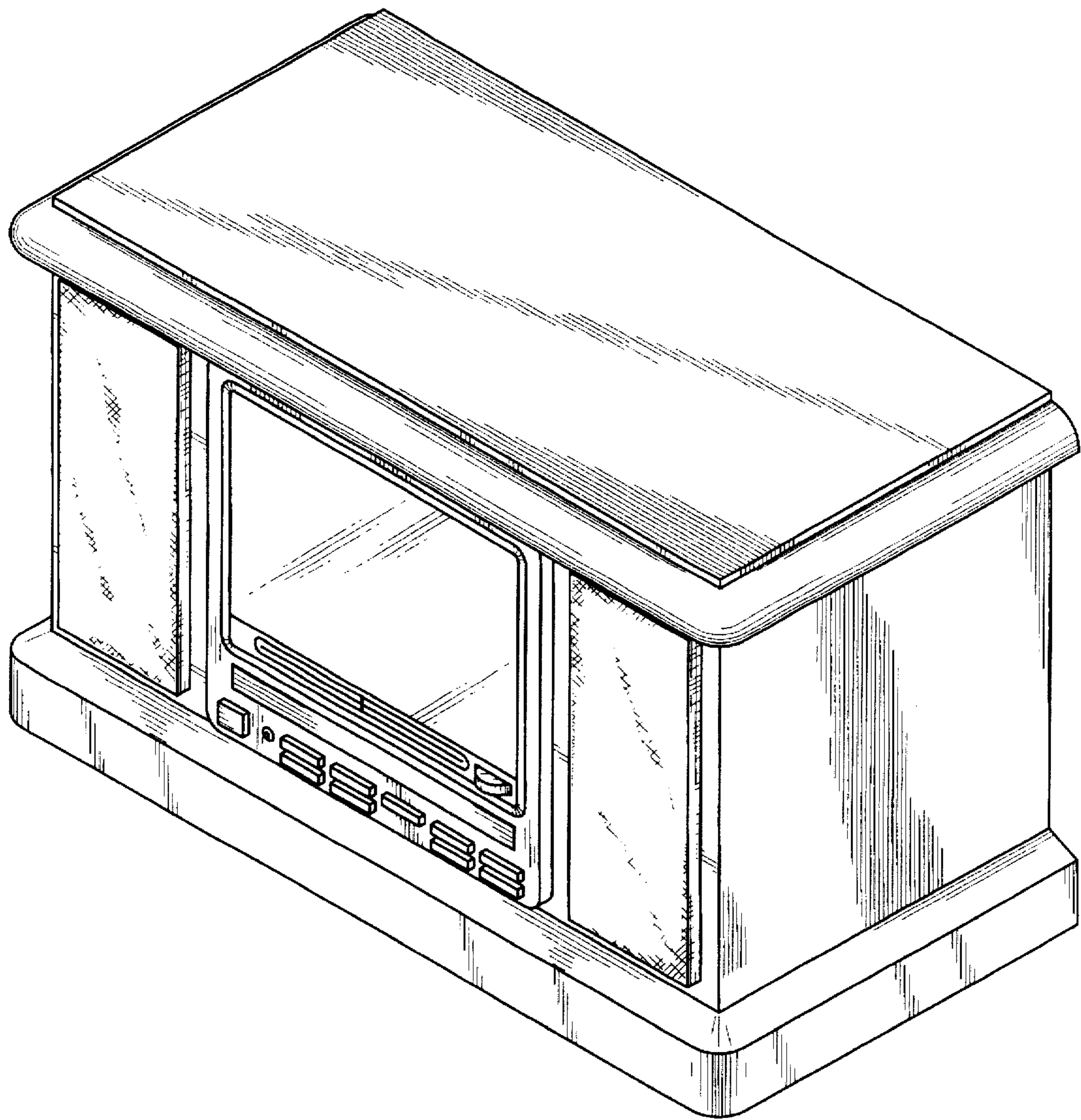


Fig. 7

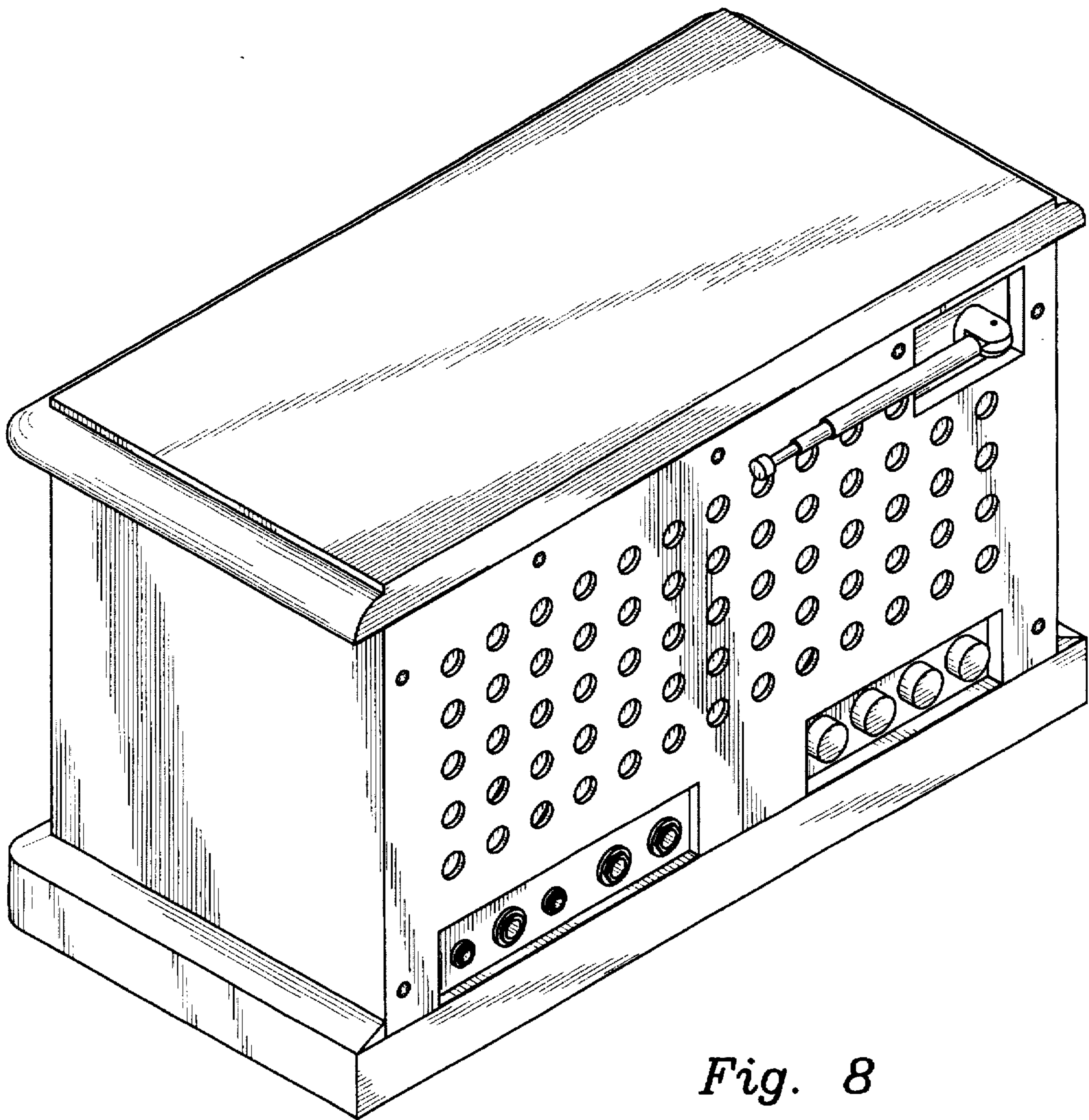


Fig. 8