

US00D396228S

United States Patent [19]

Yao

[11] Patent Number: **Des. 396,228**

[45] Date of Patent: ****Jul. 21, 1998**

[54] **MEDIA DISK**

[76] Inventor: **Li-Ho Yao**, 4th Fl., No. 99-4, Tungan St., Taipei, Taiwan

[**] Term: **14 Years**

[21] Appl. No.: **78,046**

[22] Filed: **Oct. 16, 1997**

[51] LOC (6) Cl. **14-99**

[52] U.S. Cl. **D14/121**

[58] Field of Search D21/121, 100, D21/114, 299, 135, 136, 217; 273/148 B; 463/1, 43-47; 360/131-135, 900; 369/272, 275.1, 275.3, 86; 206/308.1, 308.3, 307

[56] **References Cited**

U.S. PATENT DOCUMENTS

D. 318,273	7/1991	Takaichi	D14/121
D. 350,353	9/1994	Schulman	D14/121 X
D. 350,951	9/1994	Tseng	D14/121
D. 359,039	6/1995	Kato et al.	D14/114
D. 369,151	4/1996	Fujisawa	D14/114

D. 381,977	8/1997	Nagata et al.	D14/121
4,750,611	6/1988	Morrone	206/308.1
5,280,467	1/1994	Wanger et al.	369/275.5
5,395,112	3/1995	Darling	273/148 B

OTHER PUBLICATIONS

Hong Kong Enterprise, p. 174, Oct. 1992.

Primary Examiner—Prabhakar G. Deshmukh
Attorney, Agent, or Firm—Gardere & Wynne, L.L.P.

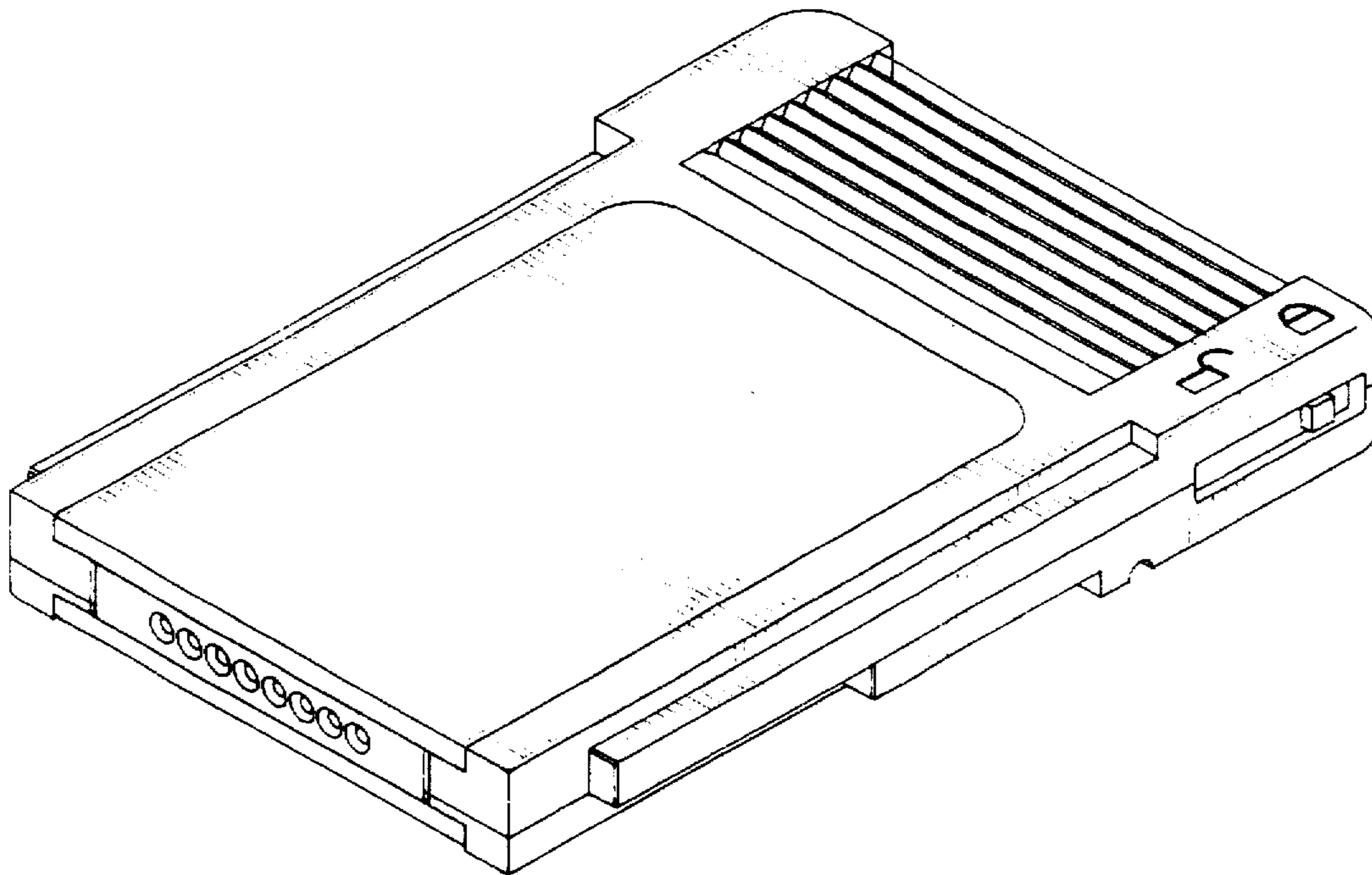
[57] **CLAIM**

The ornamental design for a media disk, as shown.

DESCRIPTION

FIG. 1 is a front, top and right perspective view of a media disk showing my new design;
FIG. 2 is a front view thereof;
FIG. 3 is a rear view thereof;
FIG. 4 is a left side elevational view thereof;
FIG. 5 is a right side elevational view thereof;
FIG. 6 is a top plan view thereof; and,
FIG. 7 is a bottom plan view thereof.

1 Claim, 2 Drawing Sheets



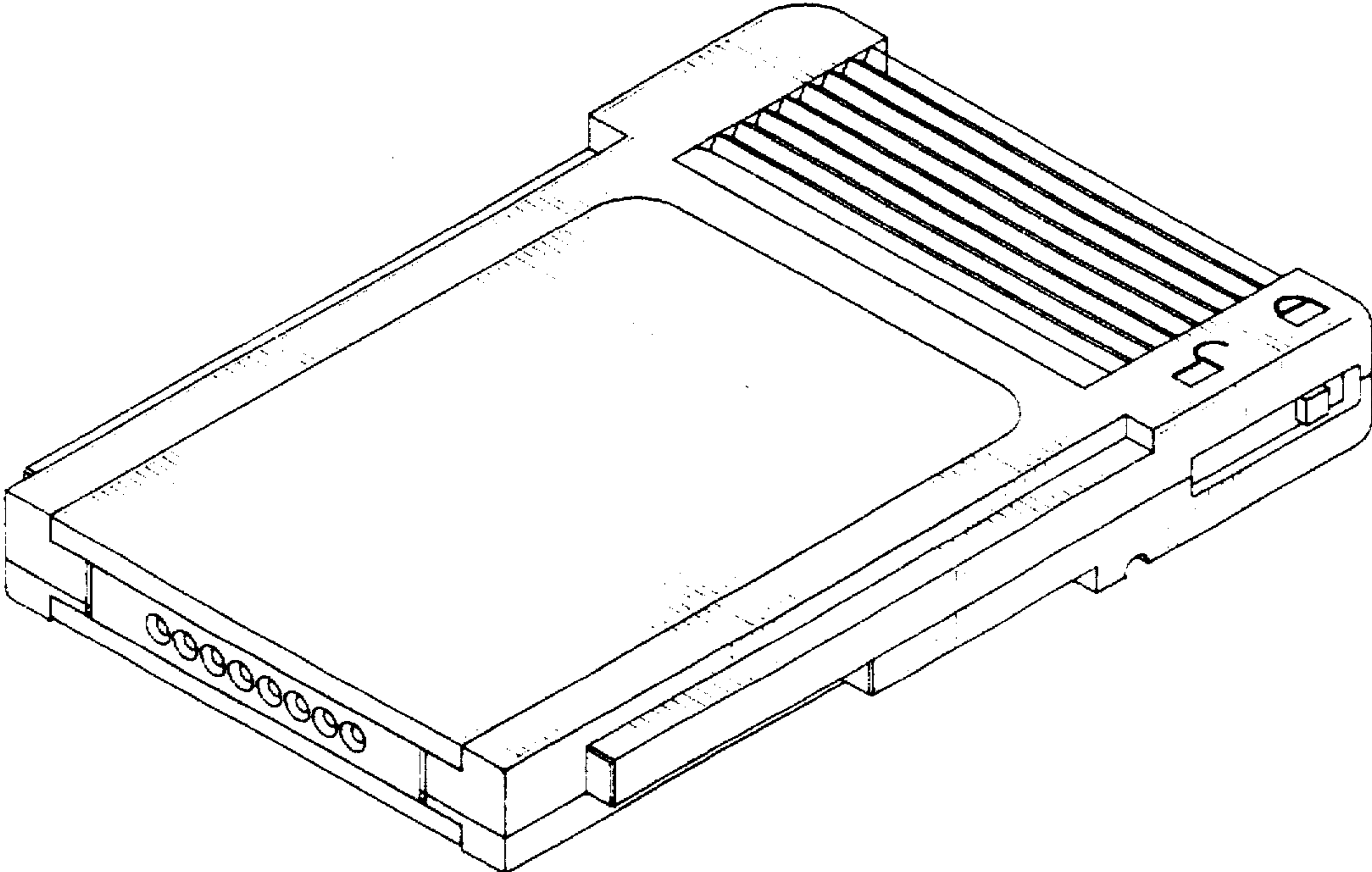


FIG. 1

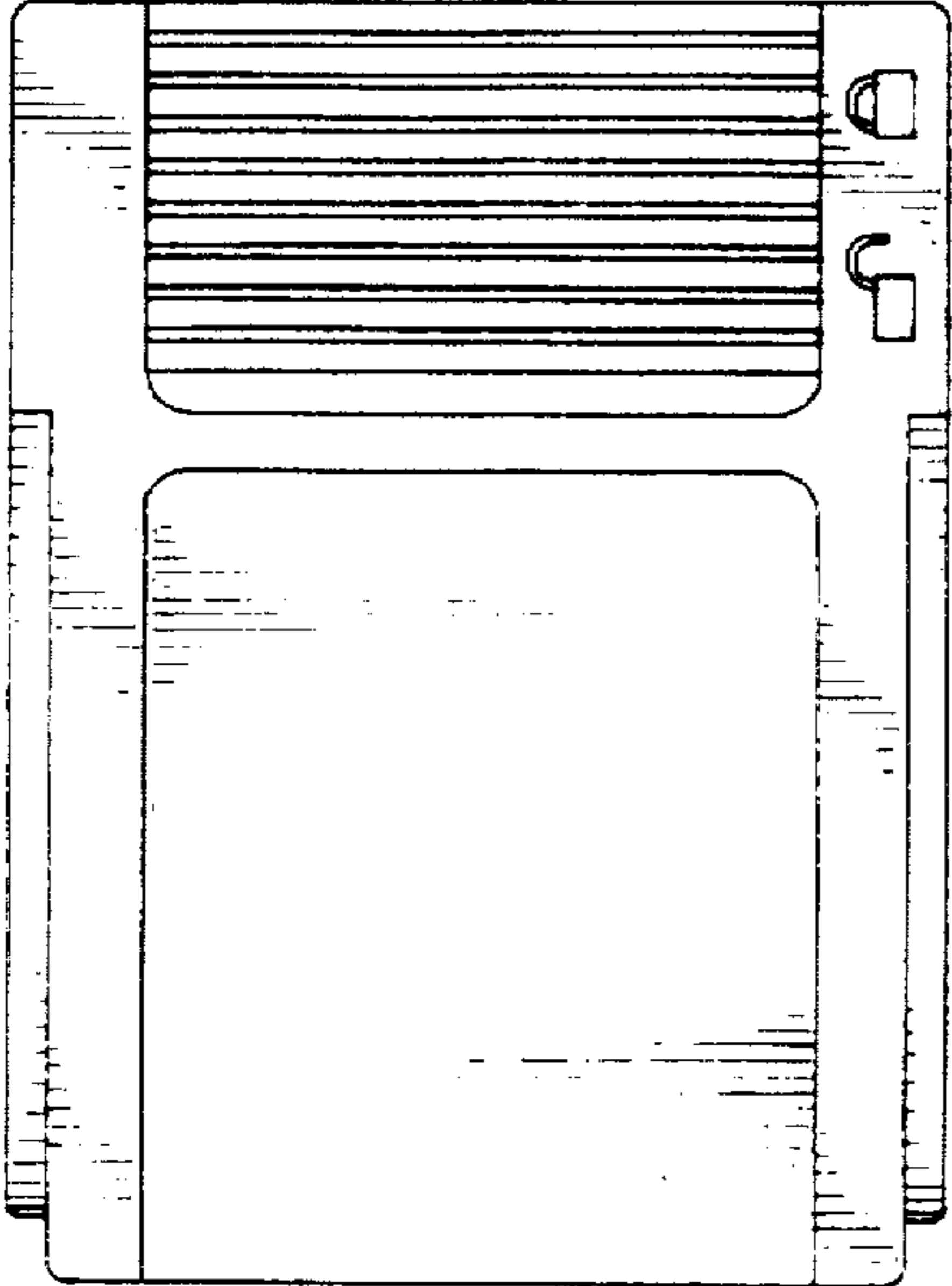


FIG. 6

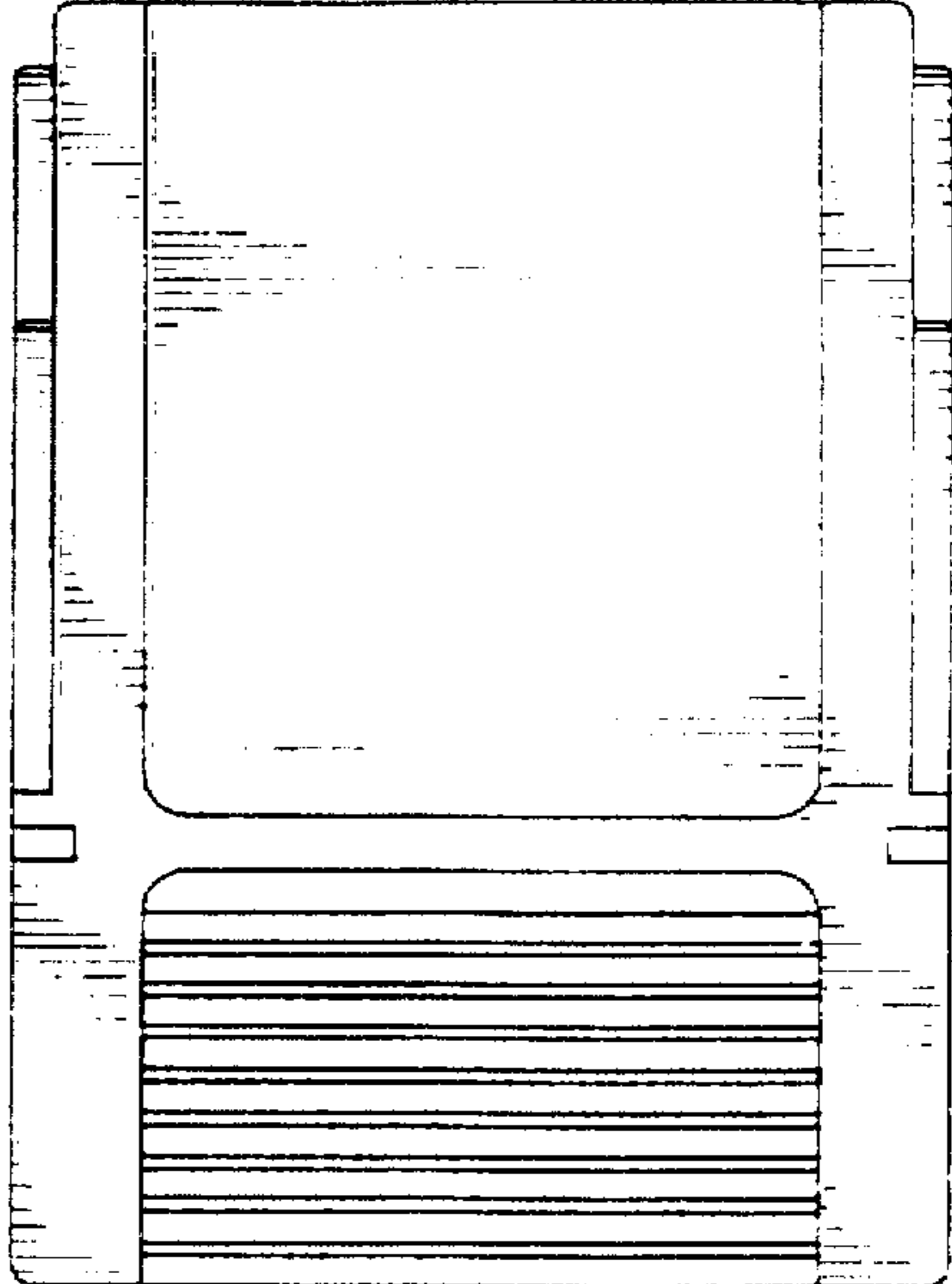


FIG. 7

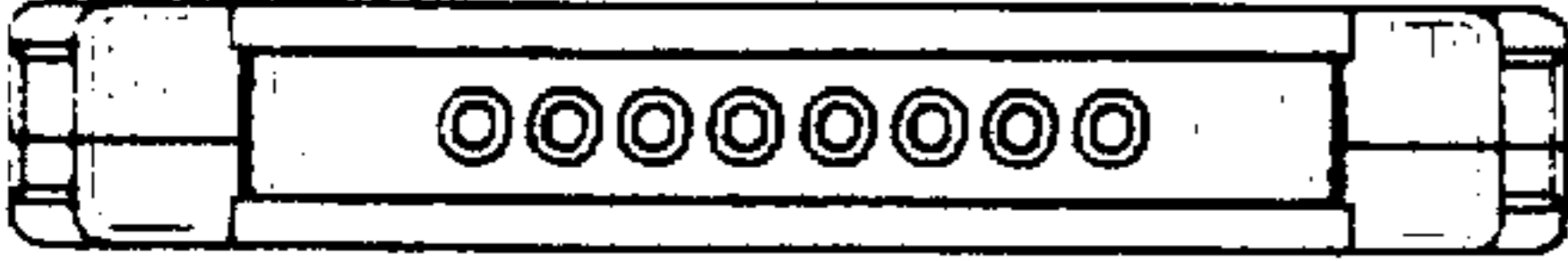


FIG. 2

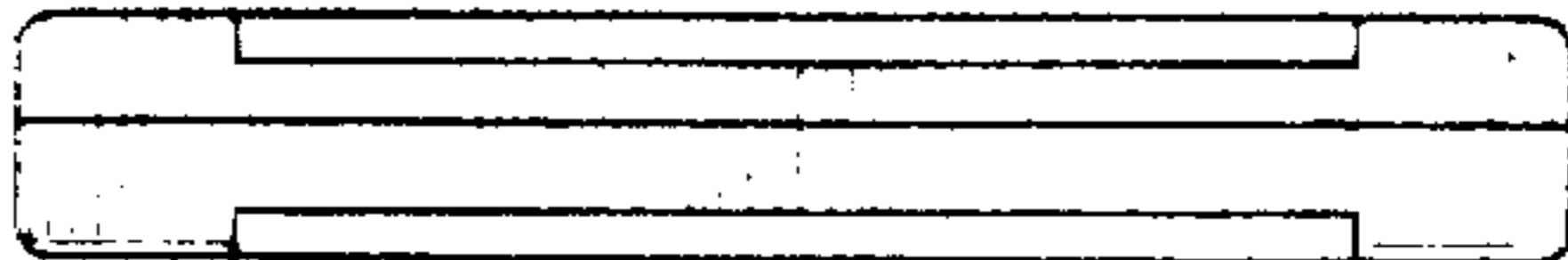


FIG. 3



FIG. 5

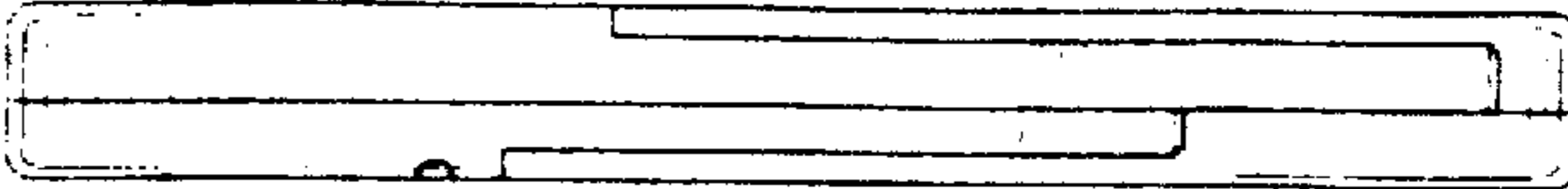


FIG. 4