



US00D396227S

United States Patent [19]

Poole et al.

[11] Patent Number: Des. 396,227

[45] Date of Patent: **Jul. 21, 1998

[54] FRONT BEZEL FOR A PERSONAL COMPUTER

D. 381,327 7/1997 Su D14/115

[75] Inventors: Anton R. Poole; Yutaka Kazamaki, both of Dakota Dunes, S. Dak.; David R. Davis, Sioux City, Iowa

Primary Examiner—Freda Nunn
Attorney, Agent, or Firm—Schwegman, Lundberg, Woessner & Kluth, P.A.

[73] Assignee: Gateway 2000, Inc., North Sioux City, S. Dak.

[57] CLAIM

[**] Term: 14 Years

The ornamental design for a front bezel for a personal computer, as shown and described.

[21] Appl. No.: 78,404

DESCRIPTION

[22] Filed: Oct. 17, 1997

FIG. 1 is a right front perspective of a front bezel for a personal computer incorporating the new design;

[51] LOC (6) Cl. 14-02

FIG. 2 is a front elevation thereof; and,

[52] U.S. Cl. D14/115

FIG. 3 is a side elevation thereof.

[58] Field of Search D14/100, 102, D14/107-109; D13/162, 184, 177, 199, 164; D6/432, 436, 445, 448; 312/208.1, 254, 292; 360/99.12; 361/683, 694, 696; D10/103

The left side of the enclosure is identical to the right side shown in FIG. 1. The bottom surface of the bezel is blank.

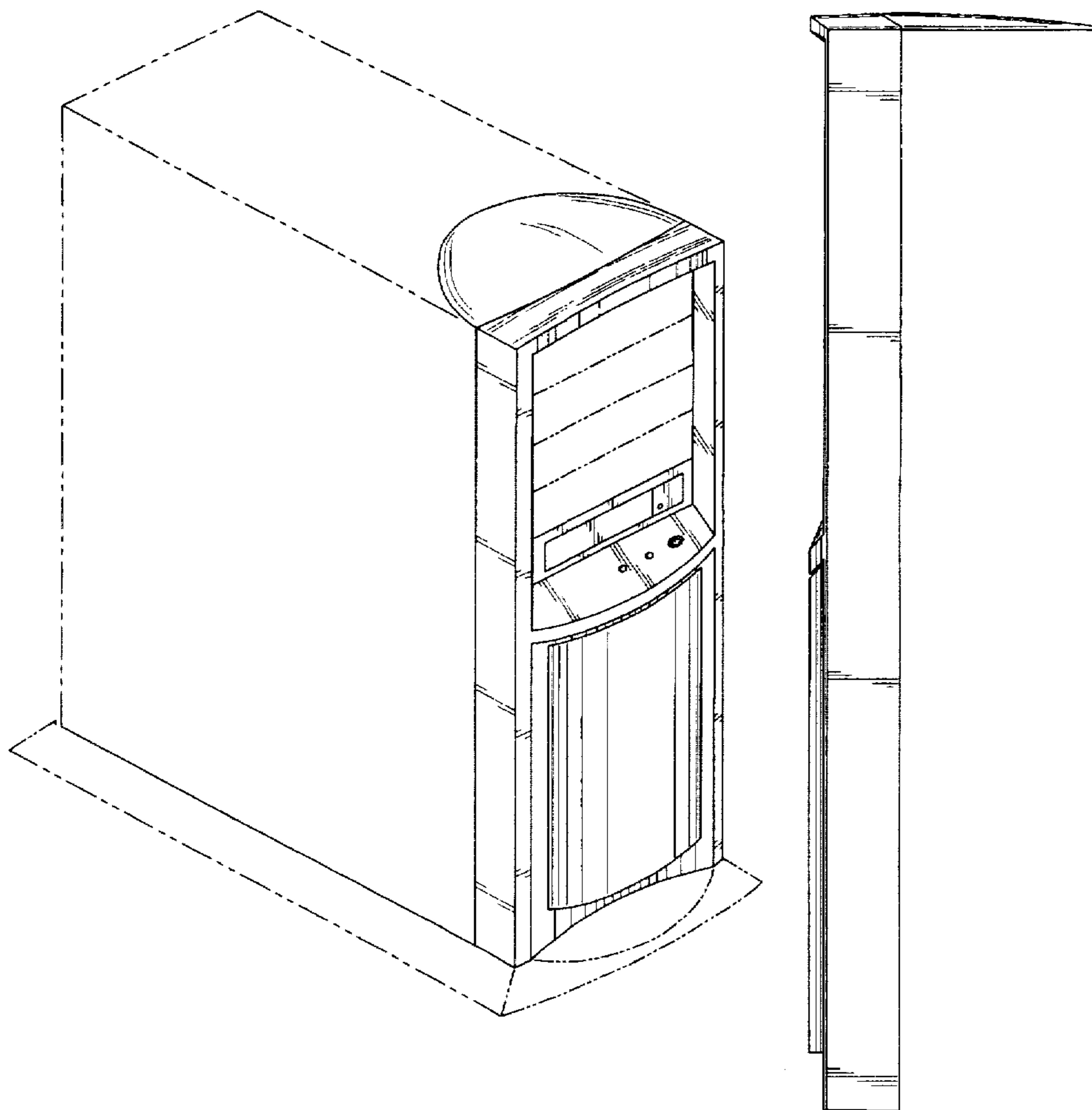
The broken lines are shown in the views for illustrative purposes only and form no part of the claimed design.

[56] References Cited

U.S. PATENT DOCUMENTS

D. 362,433 9/1995 Chen D14/115

1 Claim, 2 Drawing Sheets



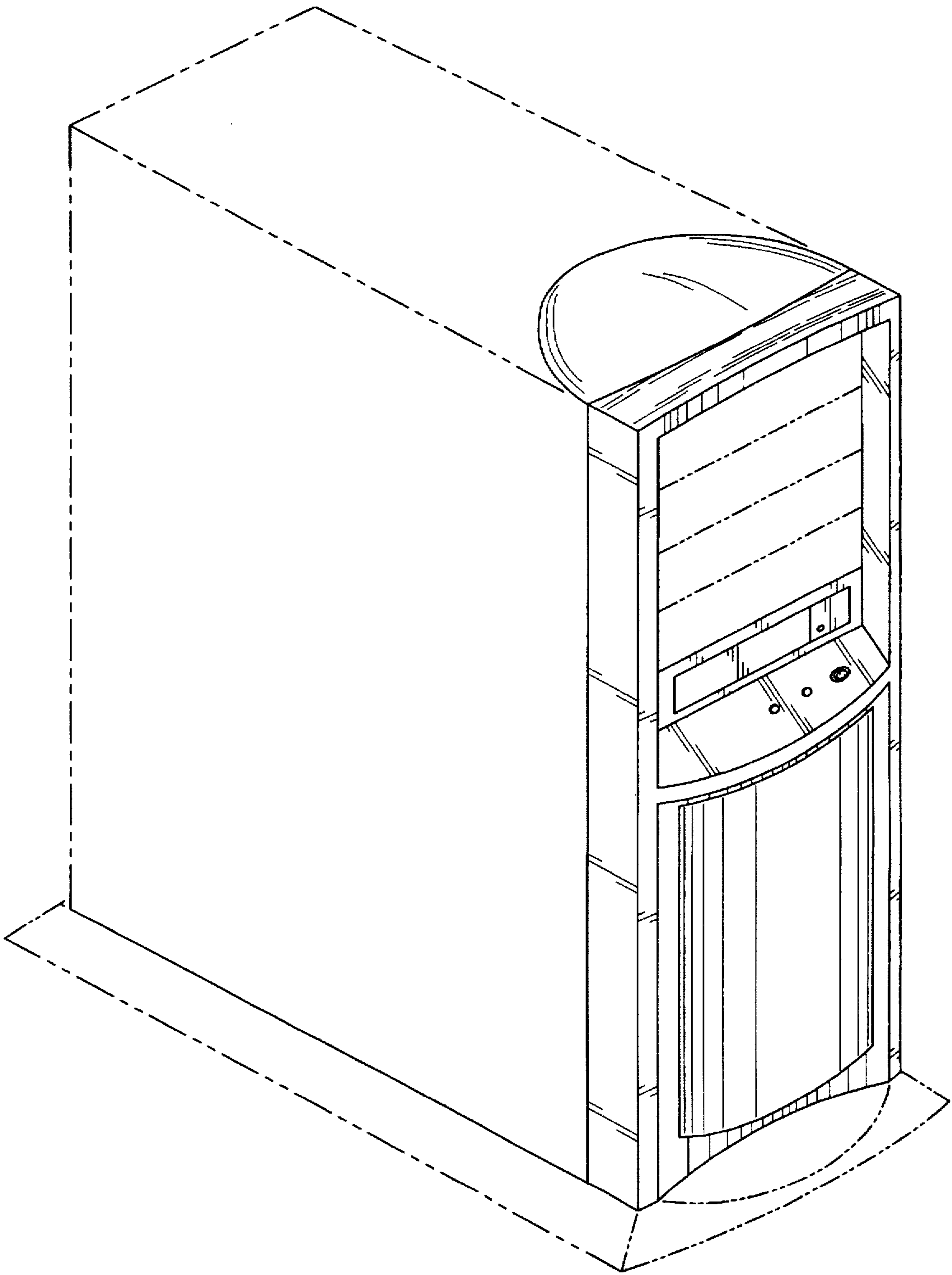


FIG. 1

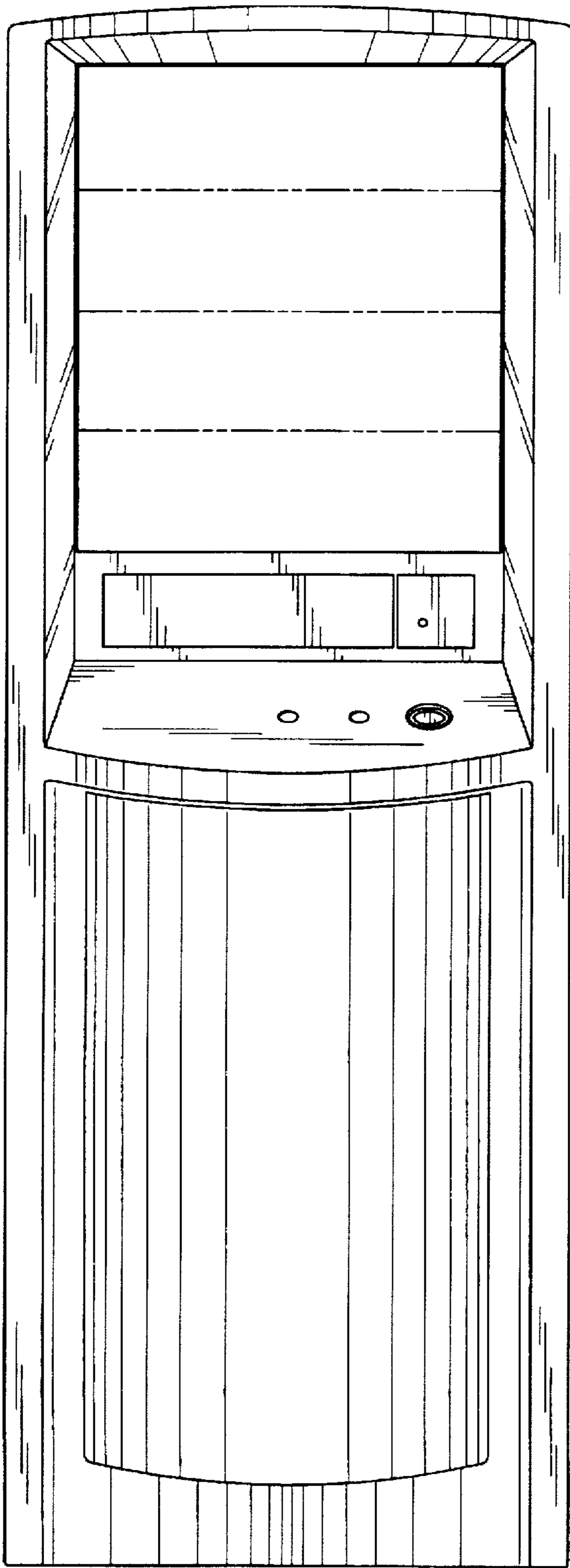


FIG. 2

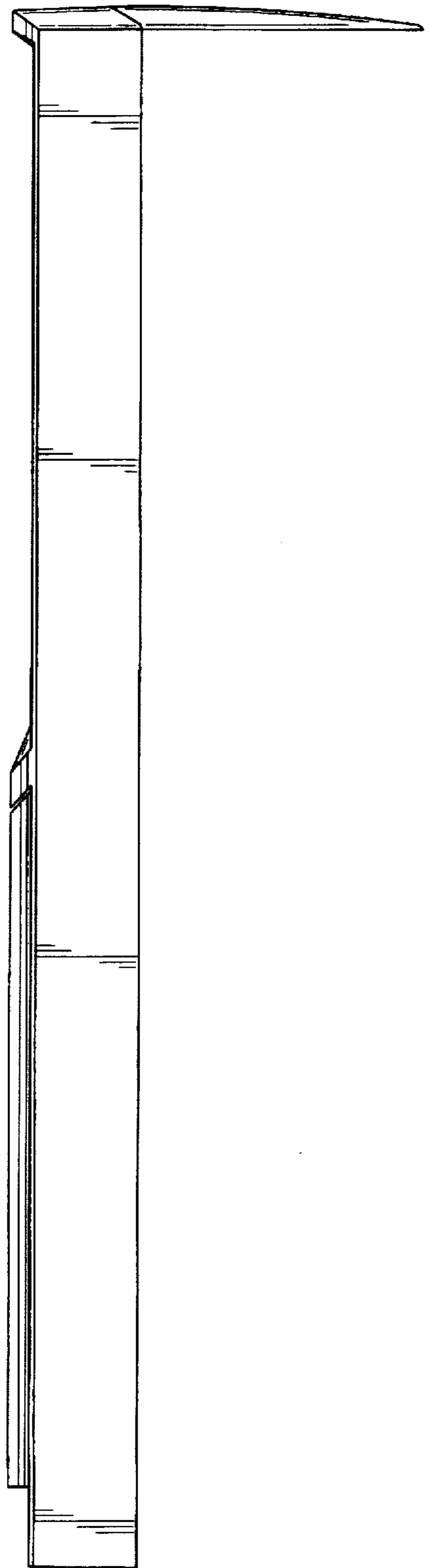


FIG. 3