

US00D396222S

United States Patent [19]

Morgan et al.

[11] Patent Number: Des. 396,222

[45] Date of Patent: **Jul. 21, 1998

[54] **FLAT PANEL DISPLAY HOUSING**

D. 376,588 12/1996 Shinano D14/113

[75] Inventors: **Stuart K. Morgan**, Westford; **Arthur J. Flagg, III**, Sudbury; **Bryan R. Hotaling**, Arlington; **Jon R. Rossman**, Chelmsford, all of Mass.

Primary Examiner—Ted Shooman
Assistant Examiner—Richelle Shelton
Attorney, Agent, or Firm—Weingarten, Schurigin, Gagnebin & Hayes LLP

[73] Assignee: **Pixelvision, Inc.**, Acton, Mass.

[57] **CLAIM**

[**] Term: **14 Years**

The ornamental design for a flat panel display housing, as shown.

[21] Appl. No.: **67,863**

DESCRIPTION

[22] Filed: **Mar. 11, 1997**

FIG. 1 is a front perspective view of a flat panel display housing showing our new design;
FIG. 2 is a front view thereof;
FIG. 3 is a top view thereof;
FIG. 4 is a bottom view thereof;
FIG. 5 is a right side view thereof;
FIG. 6 is a left side view thereof;
FIG. 7 is a rear view thereof;
FIG. 8 is a top view of a second embodiment of the flat panel display housing;
FIG. 9 is a bottom view thereof;
FIG. 10 is a right side view thereof;
FIG. 11 is a left side view thereof; and,
FIG. 12 is a rear view thereof, the front view being identical to FIG. 2.

[51] **LOC (6) Cl.** **14-02**

[52] **U.S. Cl.** **D14/113; D14/126**

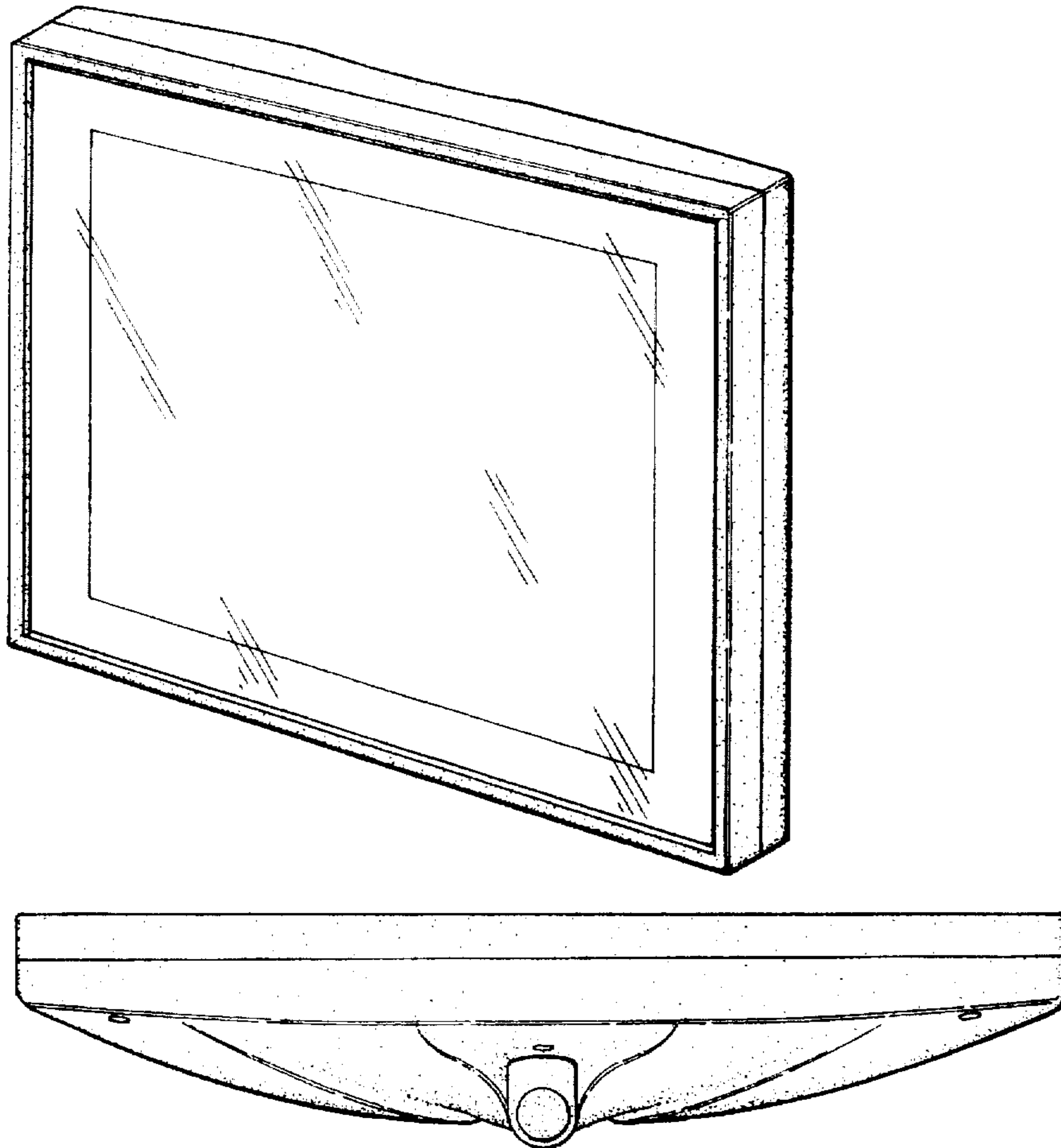
[58] **Field of Search** D14/100, 106, D14/113, 124-134; 312/7.2; 348/838, 836, 794; 345/87, 104, 133, 156, 901-905

[56] **References Cited**

U.S. PATENT DOCUMENTS

- D. 350,346 9/1994 Takemasa et al. D14/126
- D. 354,052 1/1995 Imai D14/113
- D. 356,077 3/1995 Harada et al. D14/126
- D. 356,078 3/1995 Usui et al. D14/126
- D. 356,081 3/1995 Naito et al. D14/129
- D. 356,556 3/1995 Maeno et al. D14/113

1 Claim, 6 Drawing Sheets



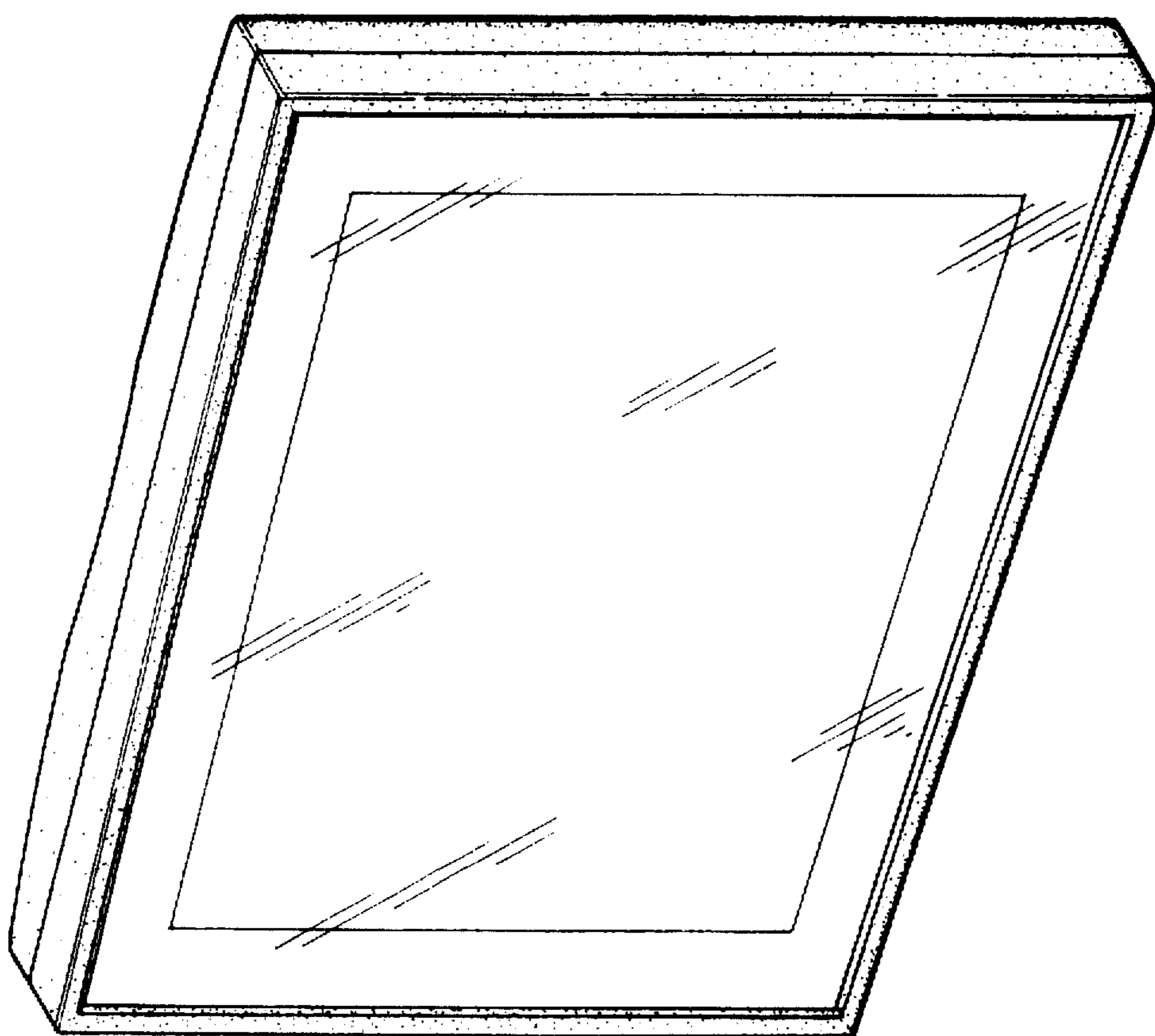


FIG. 1

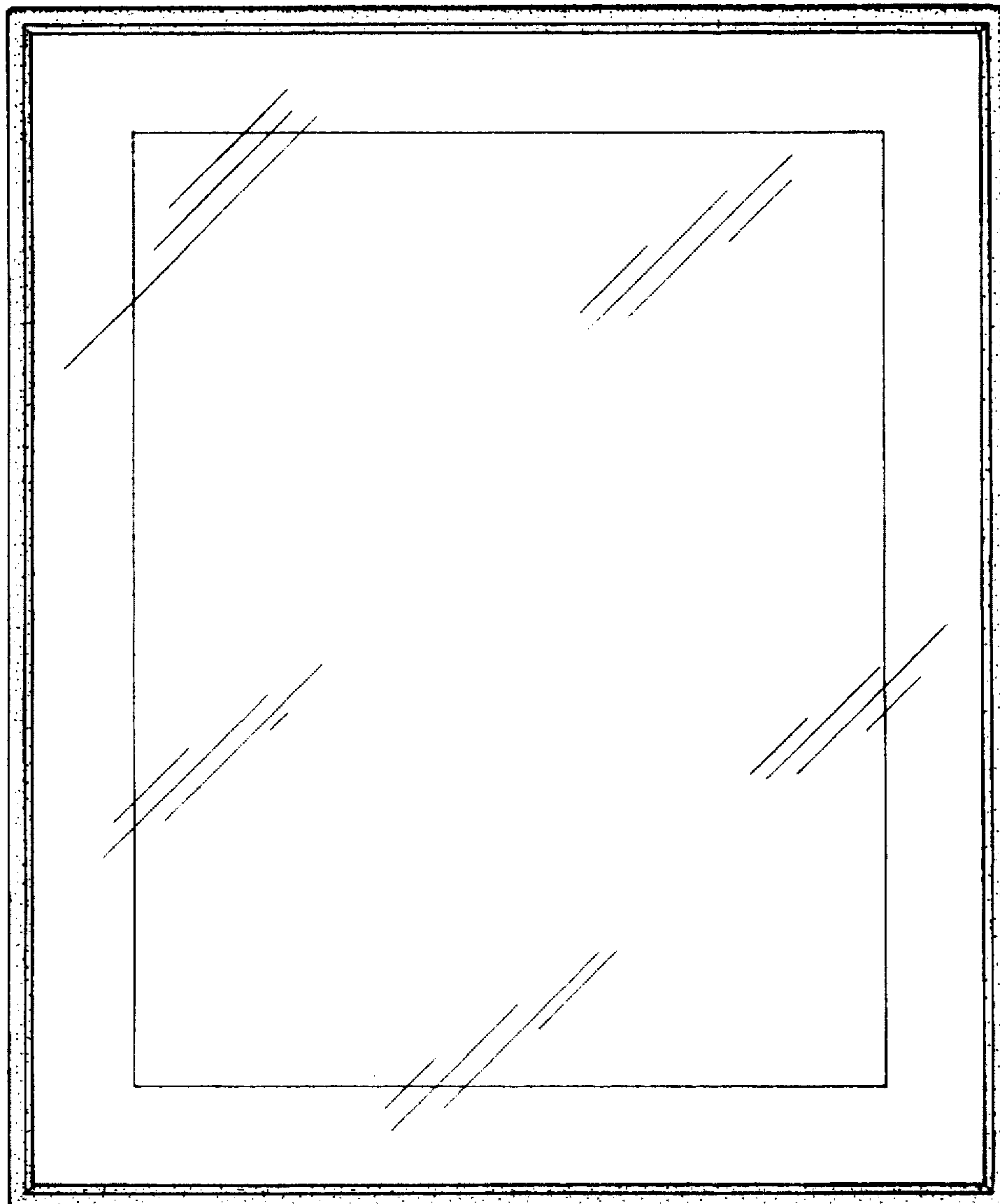


FIG. 2

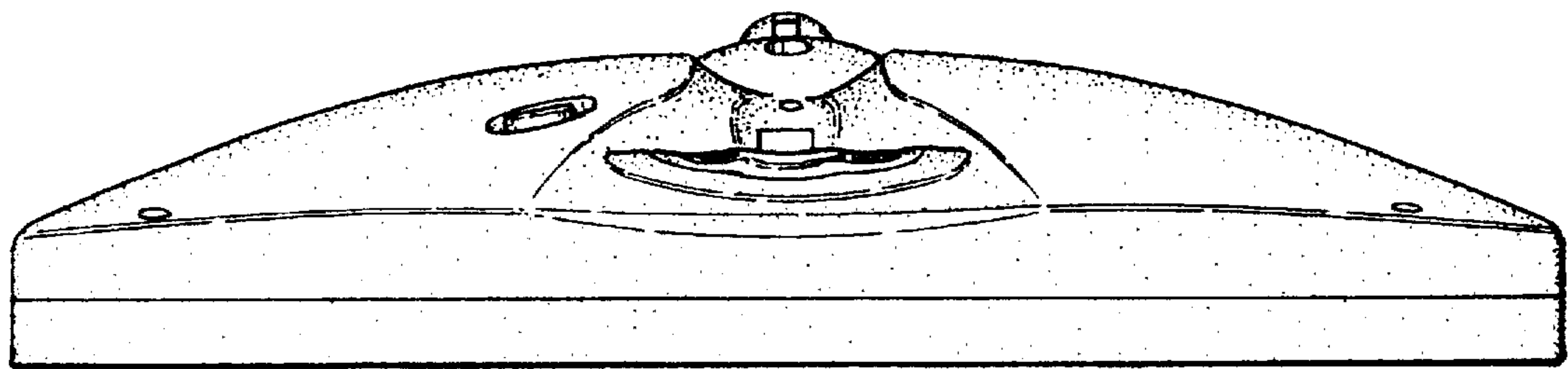


FIG. 3

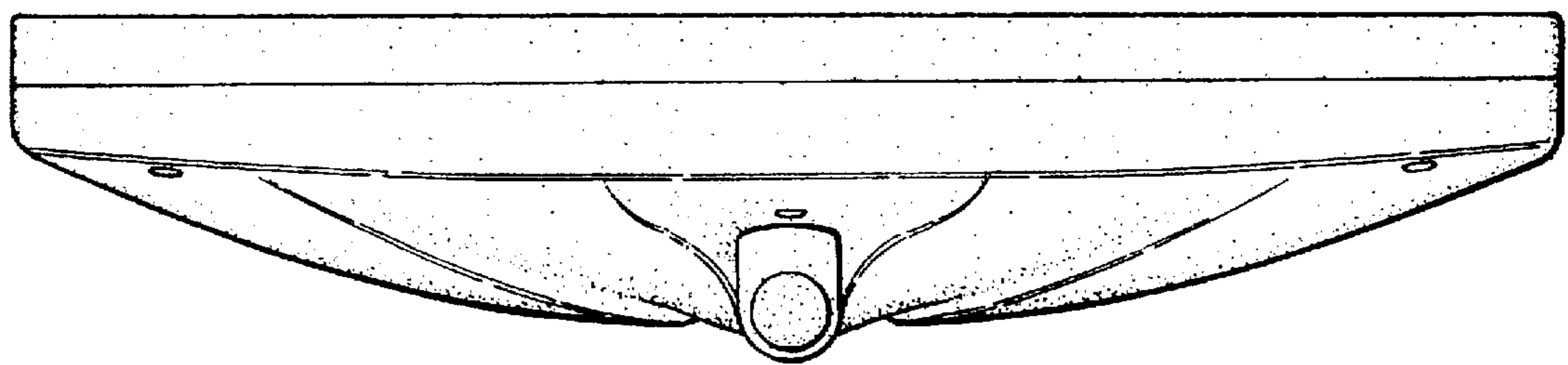


FIG. 4

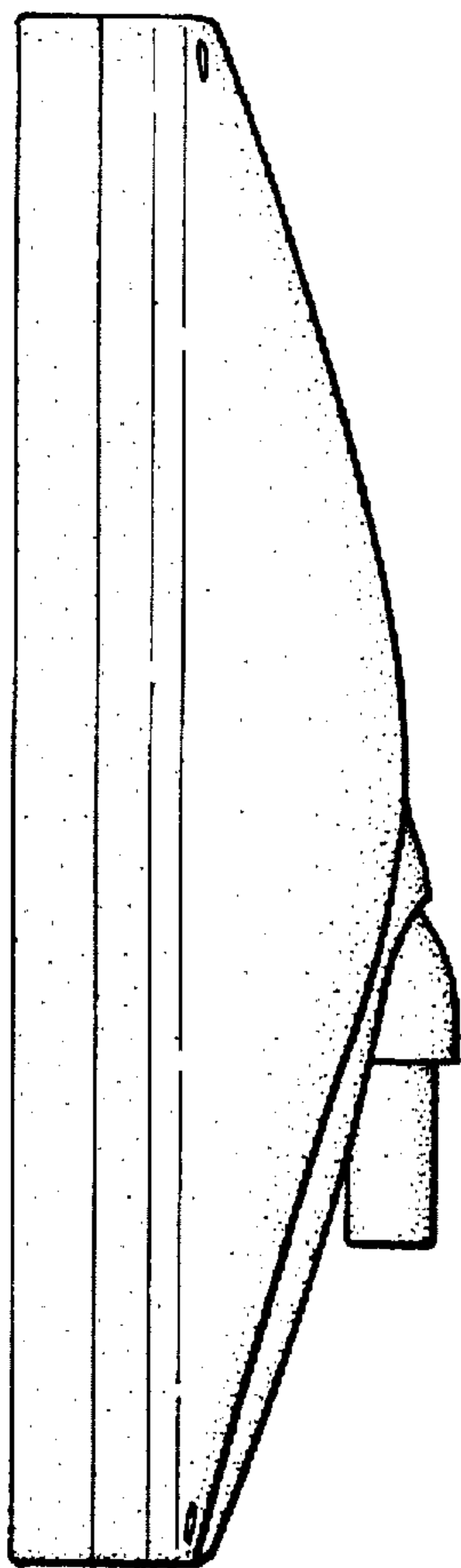


FIG. 5

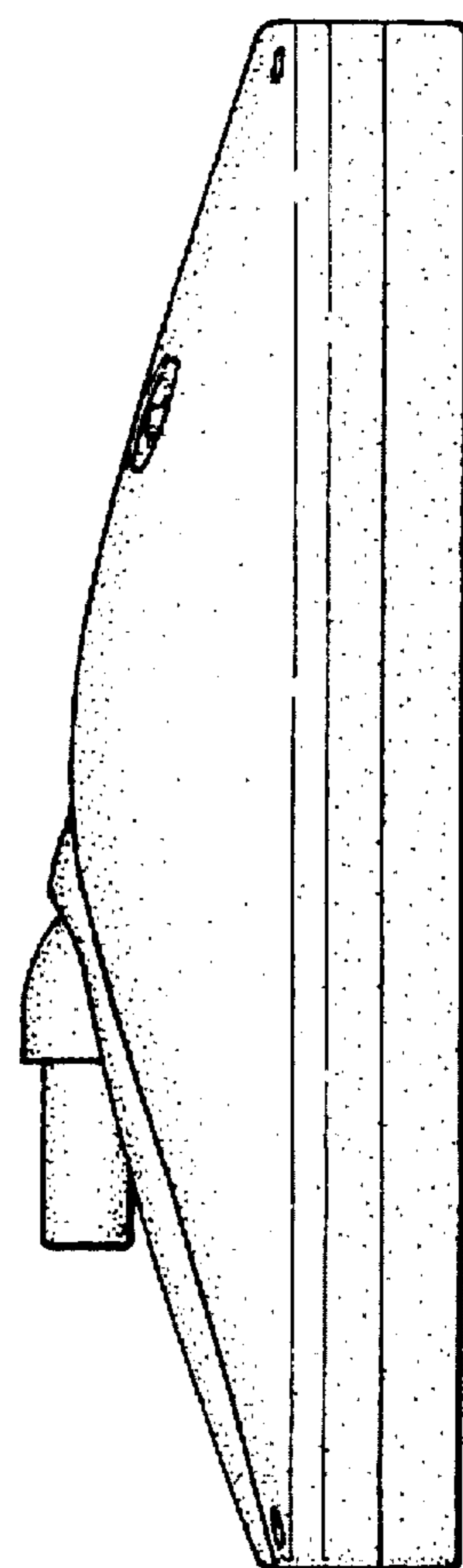


FIG. 6

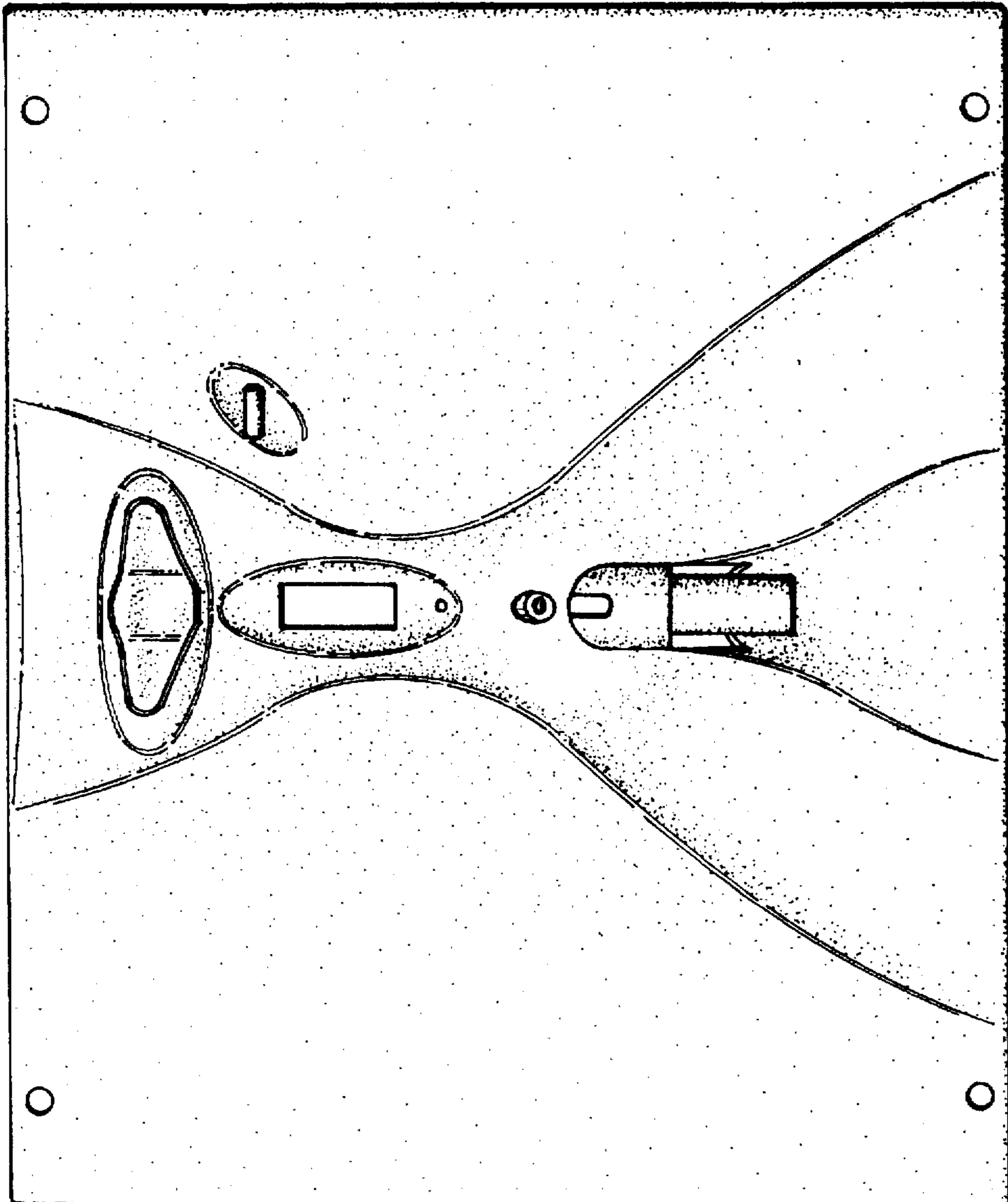


FIG. 7

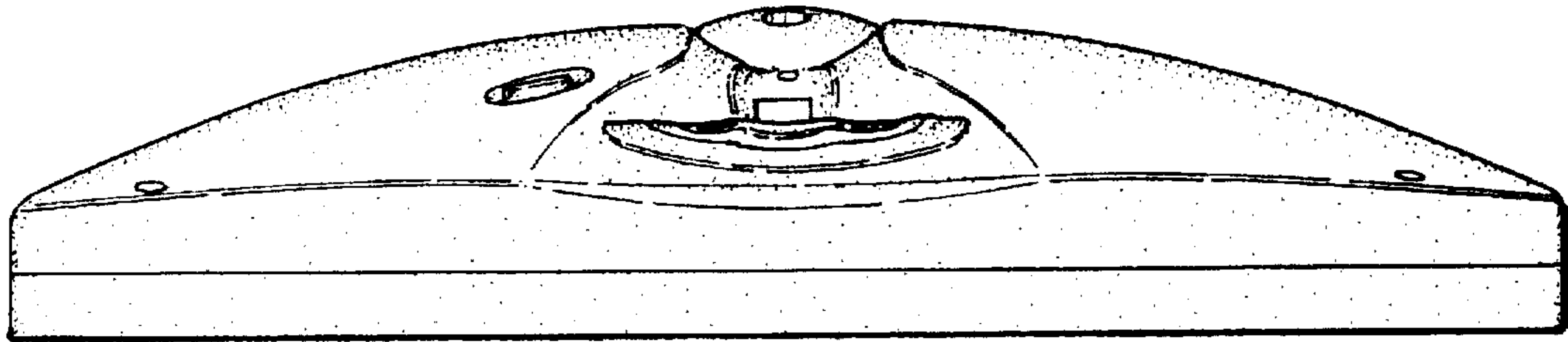


FIG. 8

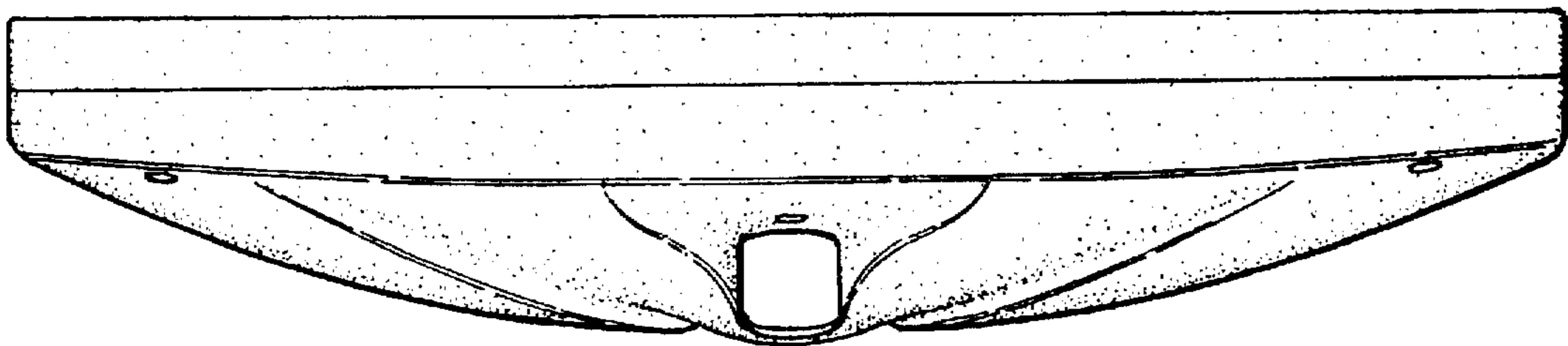


FIG. 9

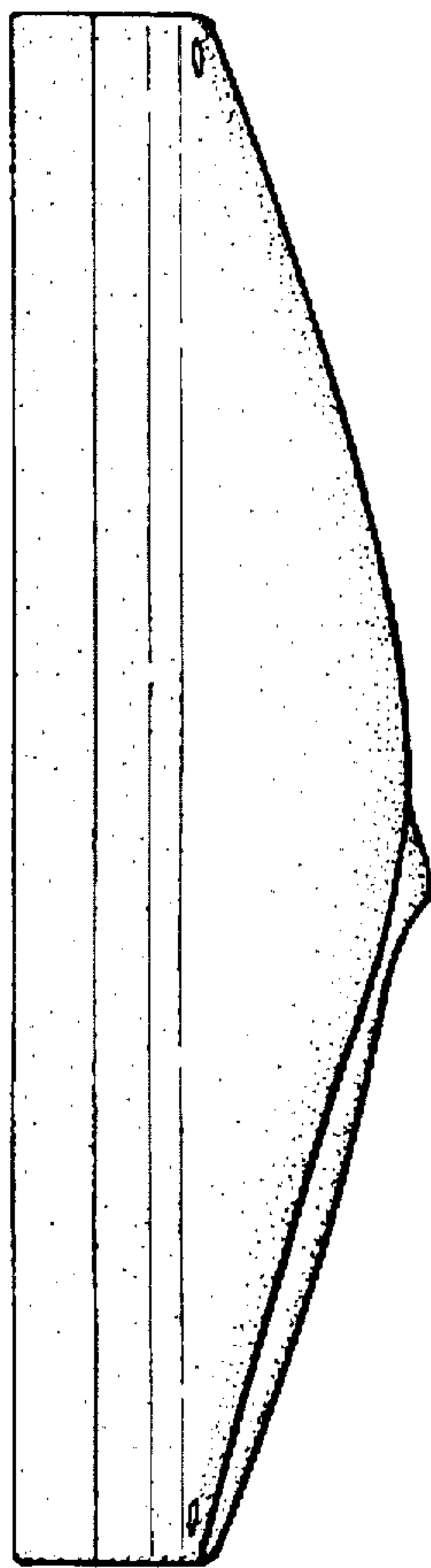


FIG. 10

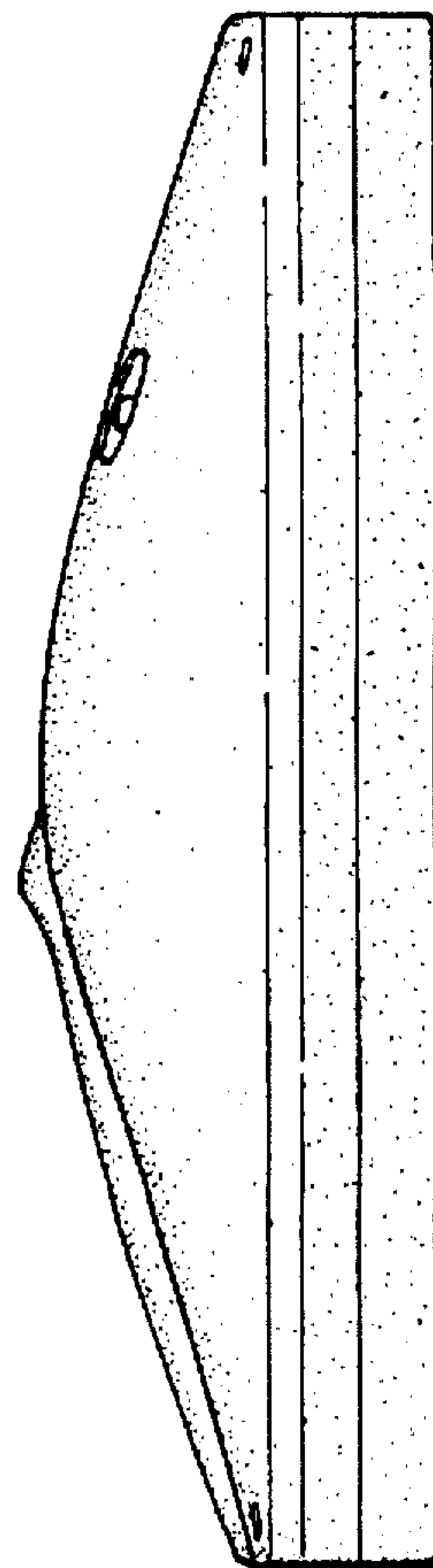


FIG. 11

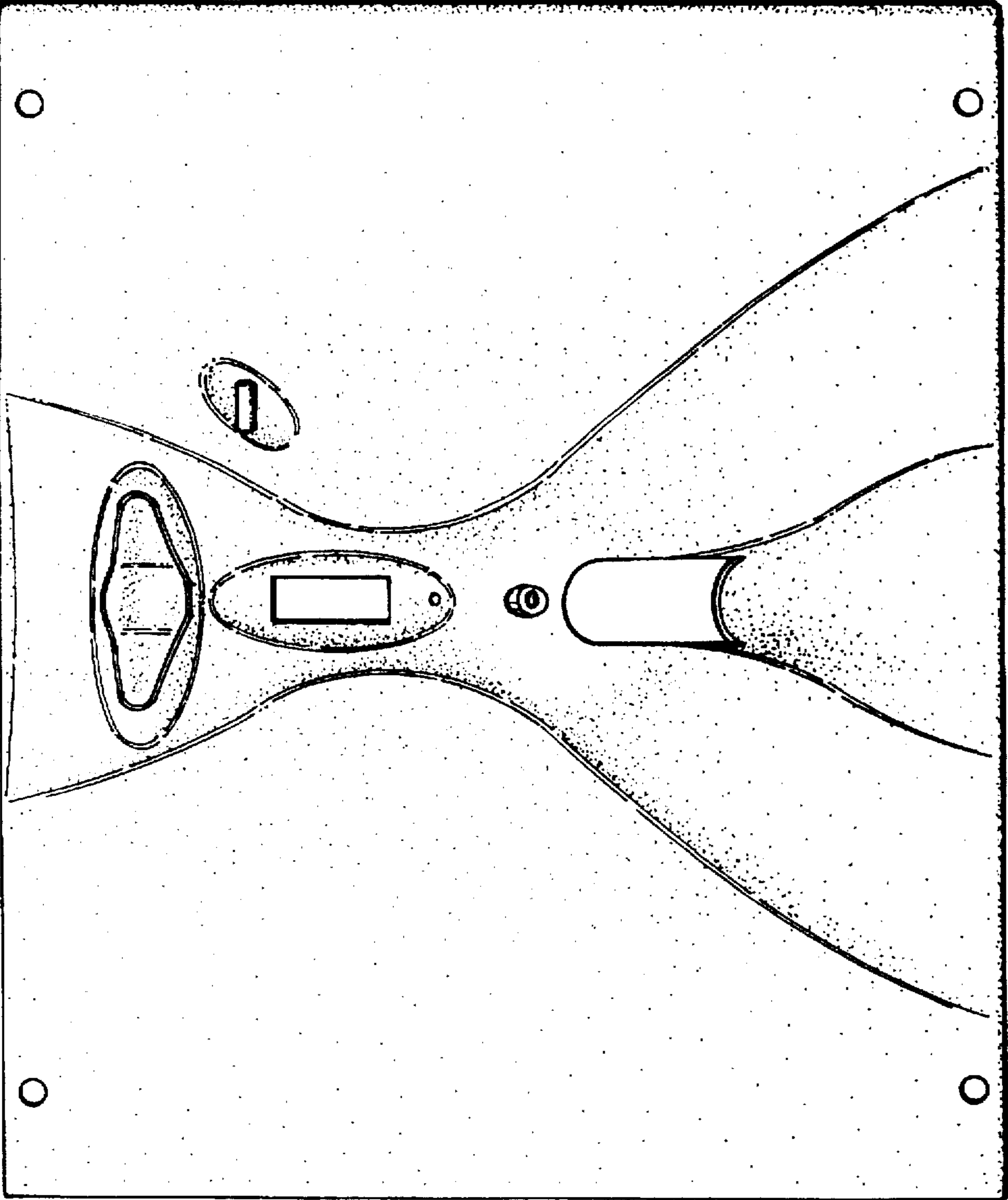


FIG. 12