



US00D396217S

# United States Patent [19]

Suzuki

[11] Patent Number: **Des. 396,217**

[45] Date of Patent: **\*\*Jul. 21, 1998**

## [54] ELECTRONIC COMPUTER

[75] Inventor: **Shogo Suzuki**, Chiba-ken, Japan

[73] Assignee: **Kabushiki Kaisha Toshiba**, Kawasaki, Japan

[\*\*] Term: **14 Years**

[21] Appl. No.: **74,111**

[22] Filed: **Jul. 29, 1997**

### [30] Foreign Application Priority Data

Feb. 24, 1997 [JP] Japan ..... 4917/1997

[51] LOC (6) Cl. .... **14-02**

[52] U.S. Cl. .... **D14/100**

[58] Field of Search ..... D14/100, 101, D14/106, 113, 124-127; 345/104, 133, 156, 168, 173, 87, 901-905; 248/917-924; 348/180, 184, 325, 739; 361/680-686

### [56] References Cited

#### U.S. PATENT DOCUMENTS

- D. 280,511 9/1985 Moggridge et al. .
- D. 336,637 6/1993 Abe et al. .... D14/106
- D. 343,831 2/1994 Spoeth .
- D. 348,657 7/1994 Matsuda ..... D14/113
- D. 354,949 1/1995 Yao ..... D14/100
- D. 363,468 10/1995 Miei et al. .
- D. 378,083 2/1997 Ando ..... D14/100

## FOREIGN PATENT DOCUMENTS

- M94 06 534 2/1995 Germany .
- 686654 5/1986 Japan .
- 748513 7/1988 Japan .
- 866977 4/1993 Japan .
- 867462 4/1993 Japan .

## OTHER PUBLICATIONS

"The Future is Here", Booth Guide FOSE94, p. 11, publication date unknown.

Japan EM16, publication date unknown.

SPARCstation Voyager (catalog), Sep. 7, 1994.

Falcon Microsystems, Multiplatform Hardware, Software and Networking Solutions, vol. 4 No1, Spring1994, p. 13.

Primary Examiner—Freda Nunn

Attorney, Agent, or Firm—Banner & Witcoff, Ltd.

## [57] CLAIM

The ornamental design for an electronic computer, as shown and described.

## DESCRIPTION

FIG. 1 is a top, front and right side perspective view of an electronic computer showing my new design;

FIG. 2 is a top plan view thereof;

FIG. 3 is a front elevational view thereof;

FIG. 4 is a rear elevational view thereof;

FIG. 5 is a left side elevational view thereof;

FIG. 6 is a right side elevational view thereof; and,

FIG. 7 is a bottom plan view thereof.

**1 Claim, 3 Drawing Sheets**

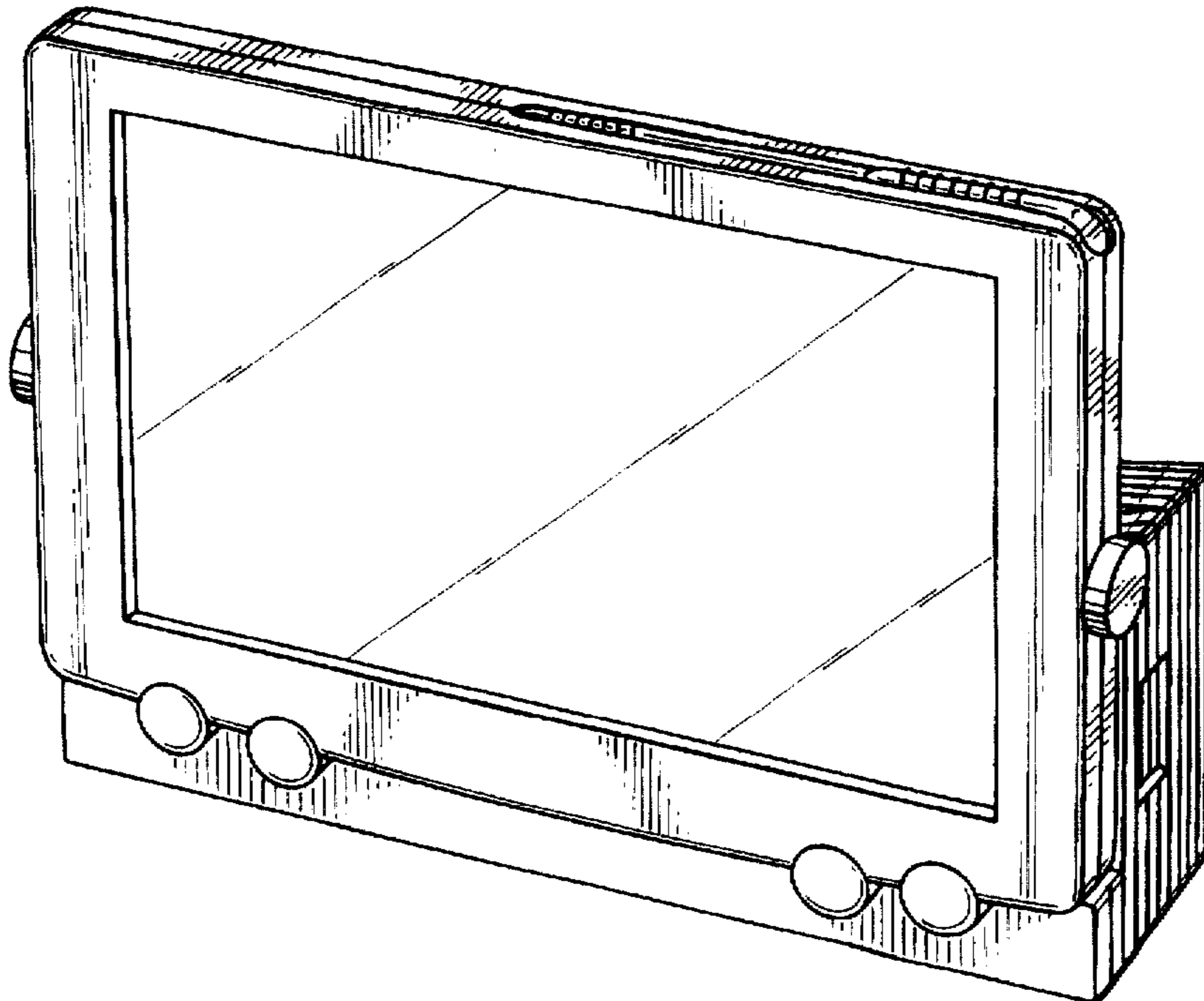


FIG. 1

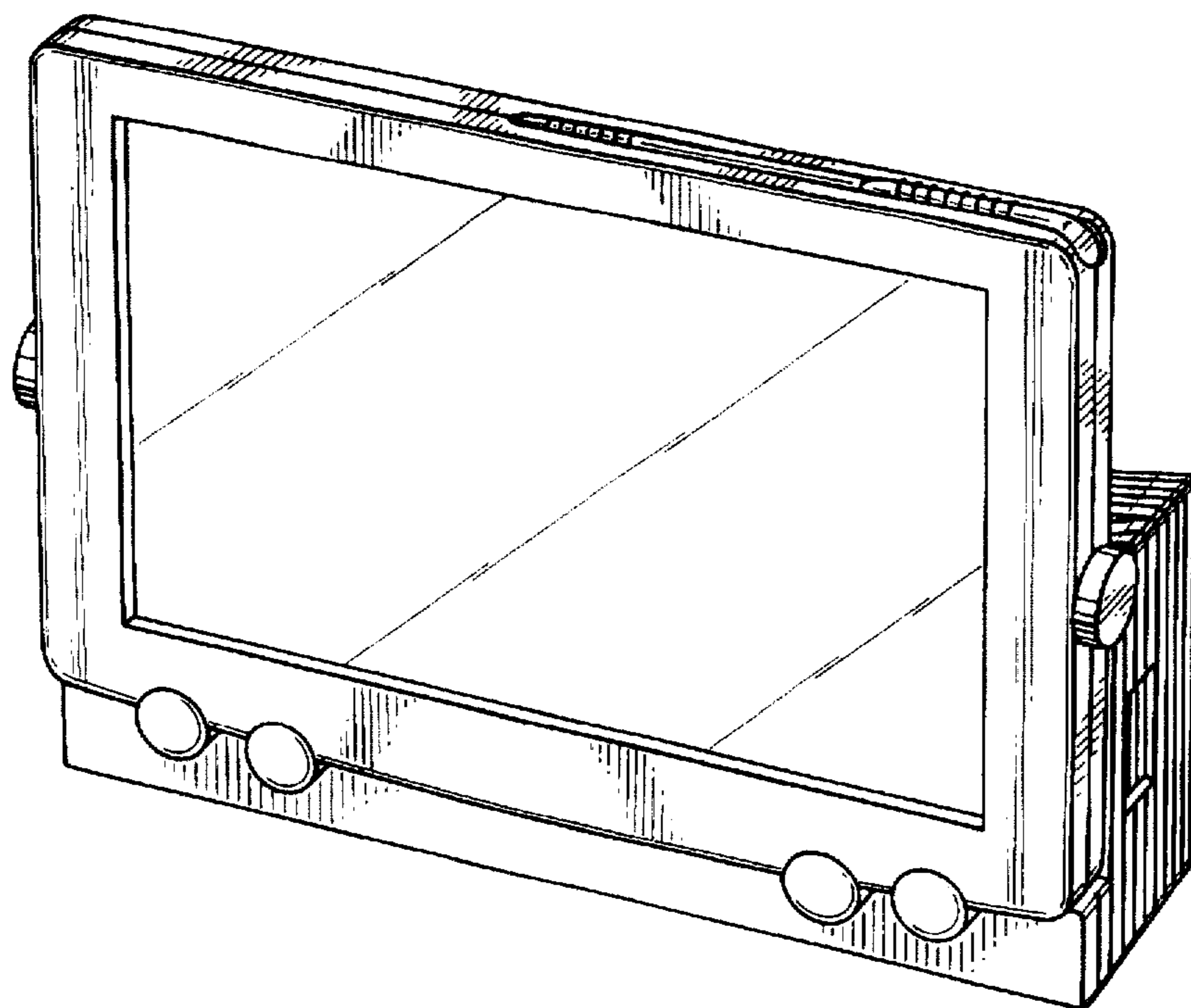


FIG. 2

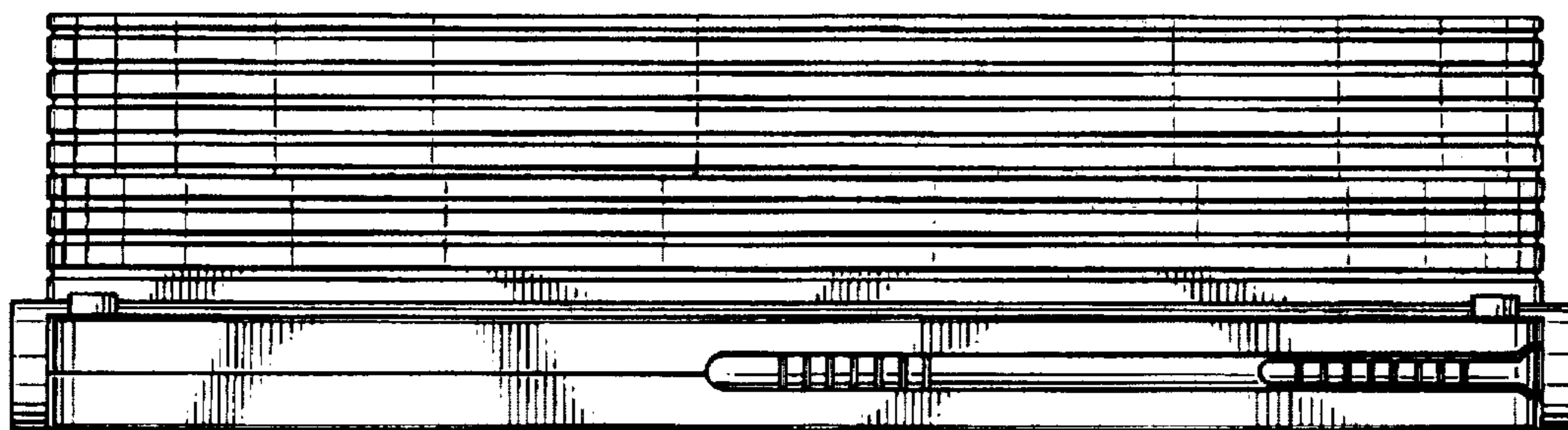


FIG. 3

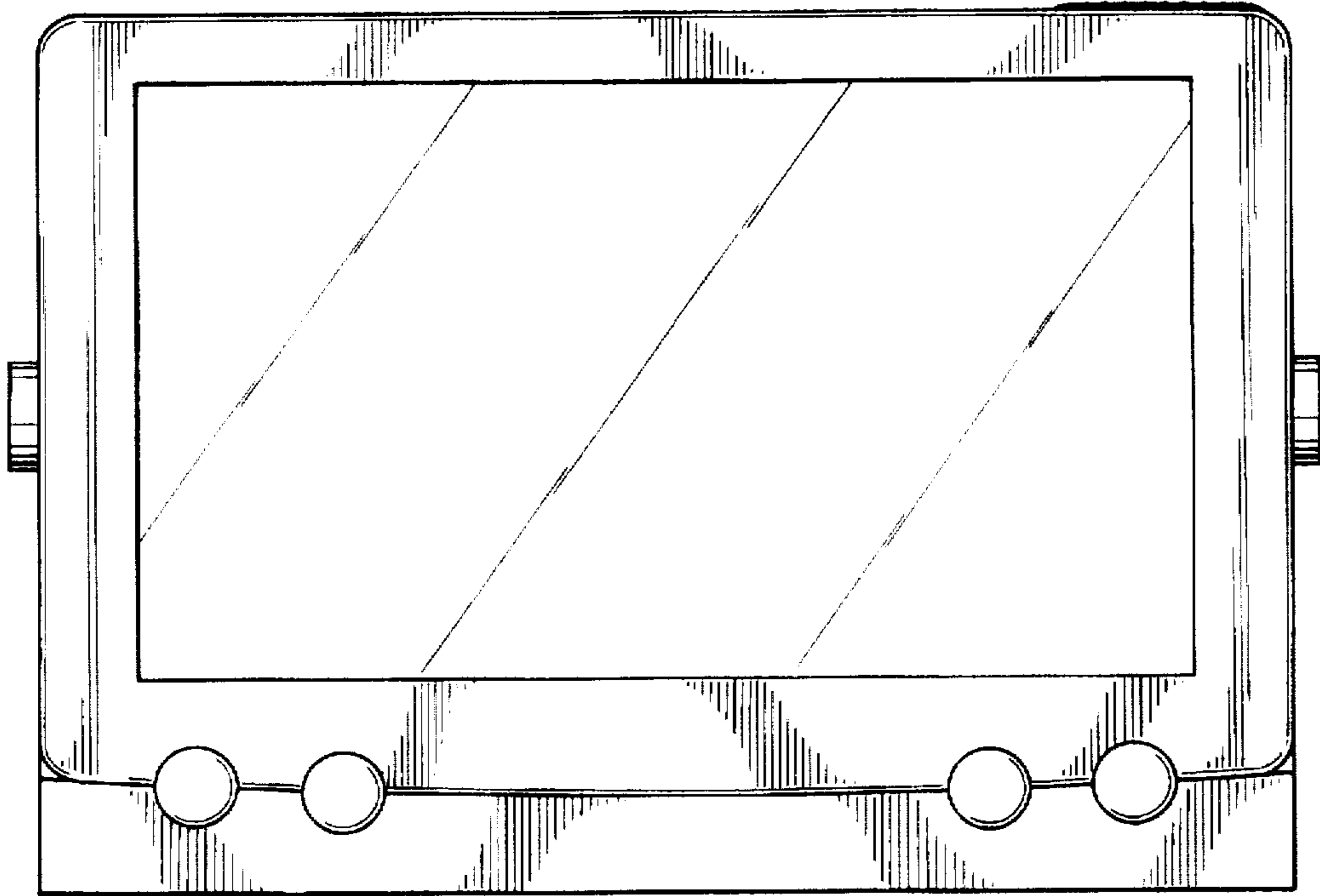


FIG. 4

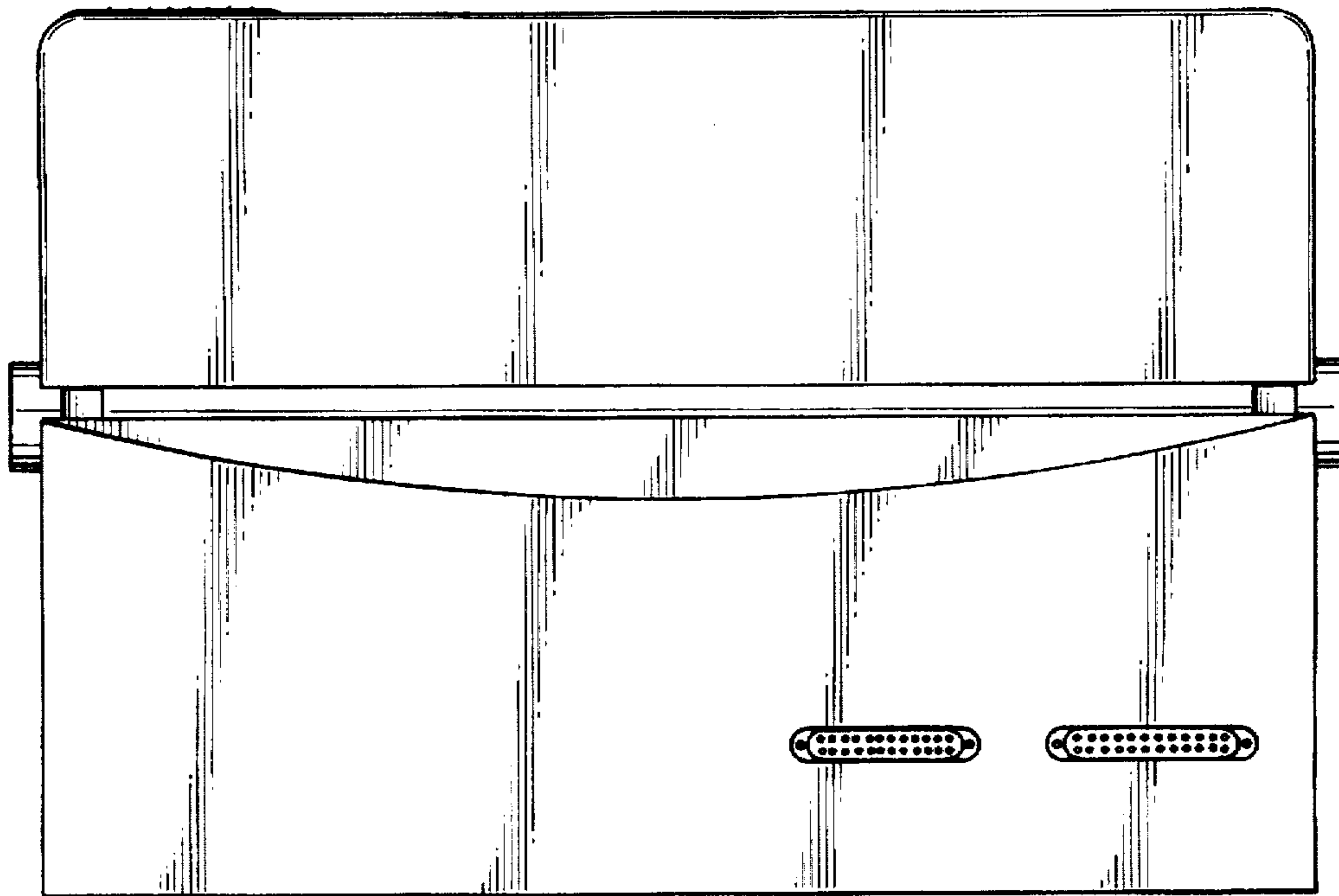


FIG. 5

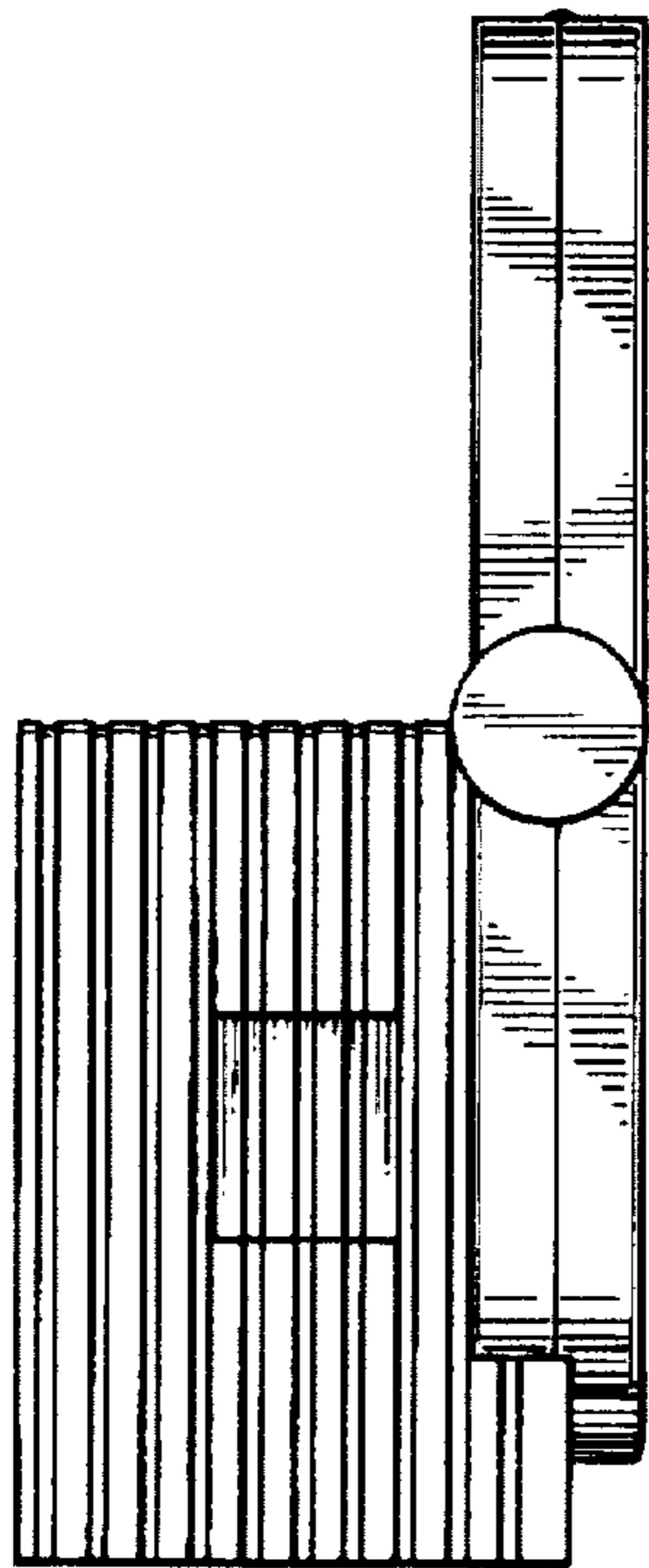


FIG. 6

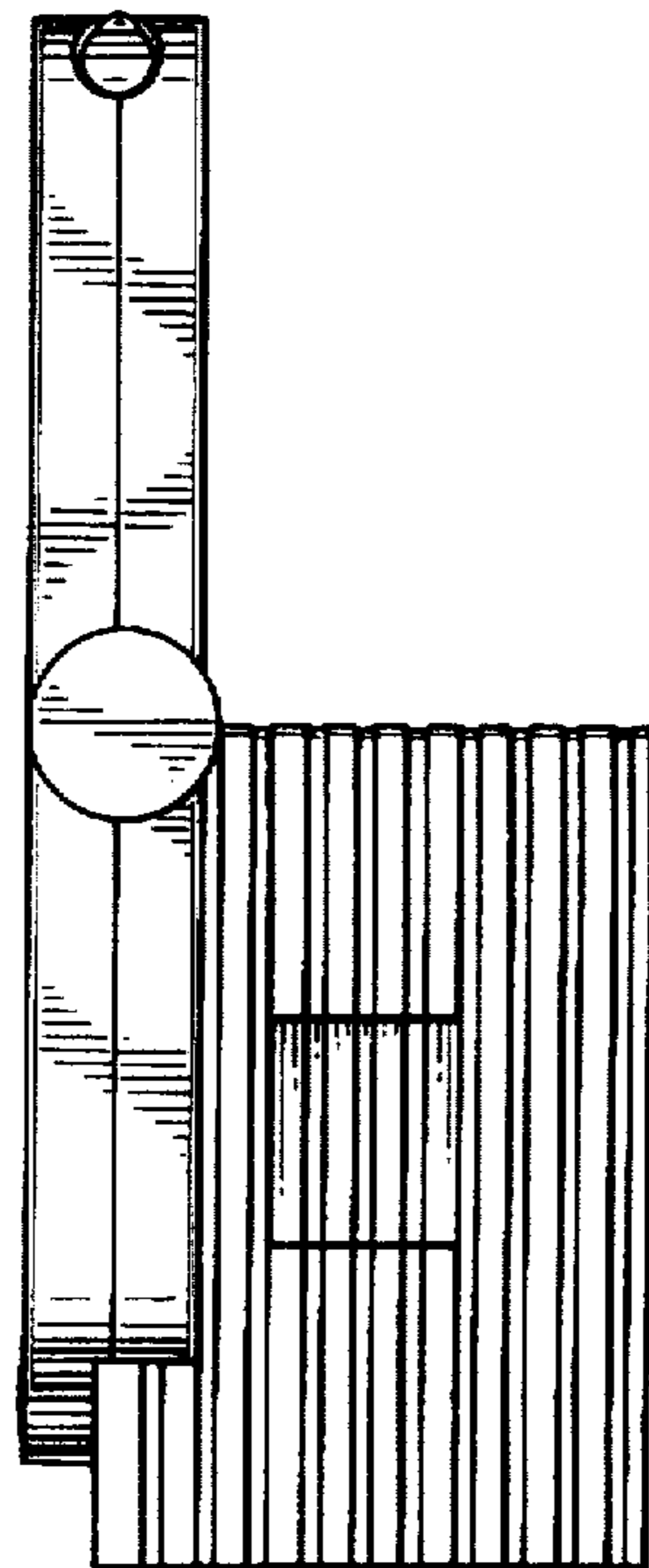


FIG. 7

