



US00D396216S

United States Patent [19]

Chen et al.

[11] Patent Number: **Des. 396,216**

[45] Date of Patent: ****Jul. 21, 1998**

[54] **COMPUTER**

D. 370,467 6/1996 Barthelemy et al. D14/102

[75] Inventors: **Jerry Chen, Taoyuan Hsien; Tony Chen, Taipei, both of Taiwan**

Primary Examiner—Freda Nunn

[73] Assignee: **UMAX Data Systems Inc., HsinChu, Taiwan**

[57] **CLAIM**

The ornamental design for a computer, as shown and described.

[**] Term: **14 Years**

DESCRIPTION

[21] Appl. No.: **73,123**

FIG. 1 is a perspective view of a computer showing our new design;

[22] Filed: **Jul. 1, 1997**

FIG. 2 is a front elevational view thereof;

[51] LOC (6) Cl. **14-02**

FIG. 3 is a rear elevational view thereof;

[52] U.S. Cl. **D14/100**

FIG. 4 is a left side elevational view thereof;

[58] Field of Search **D14/100, 102,**

FIG. 5 is a right side elevational view thereof;

D14/107-109; D13/162, 184, 199; D6/432,

FIG. 6 is a top view thereof;

436, 445, 448; 312/208.1, 254, 292; 360/97.01,

FIG. 7 is a bottom view thereof; and,

97.04; 361/690-696

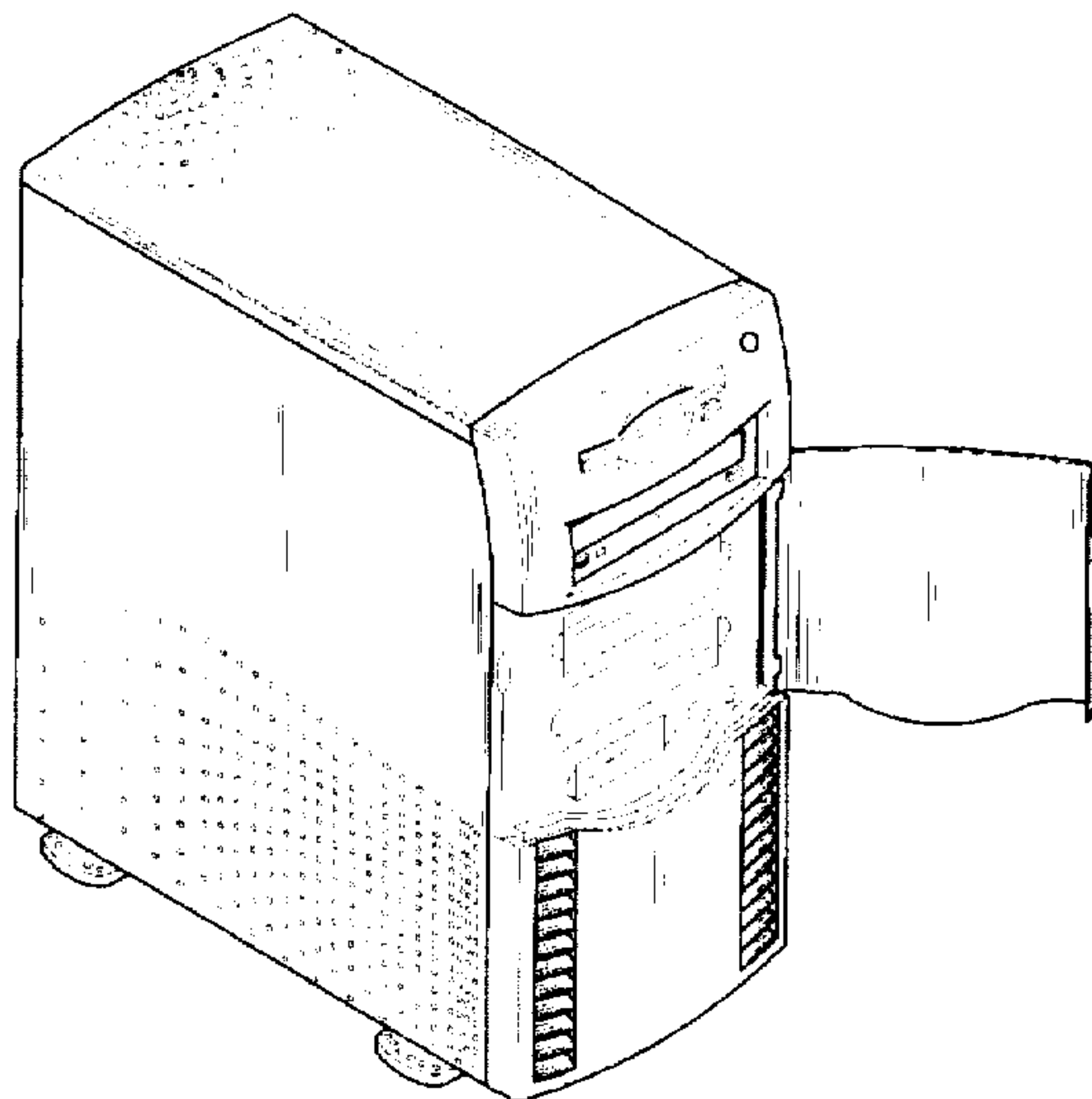
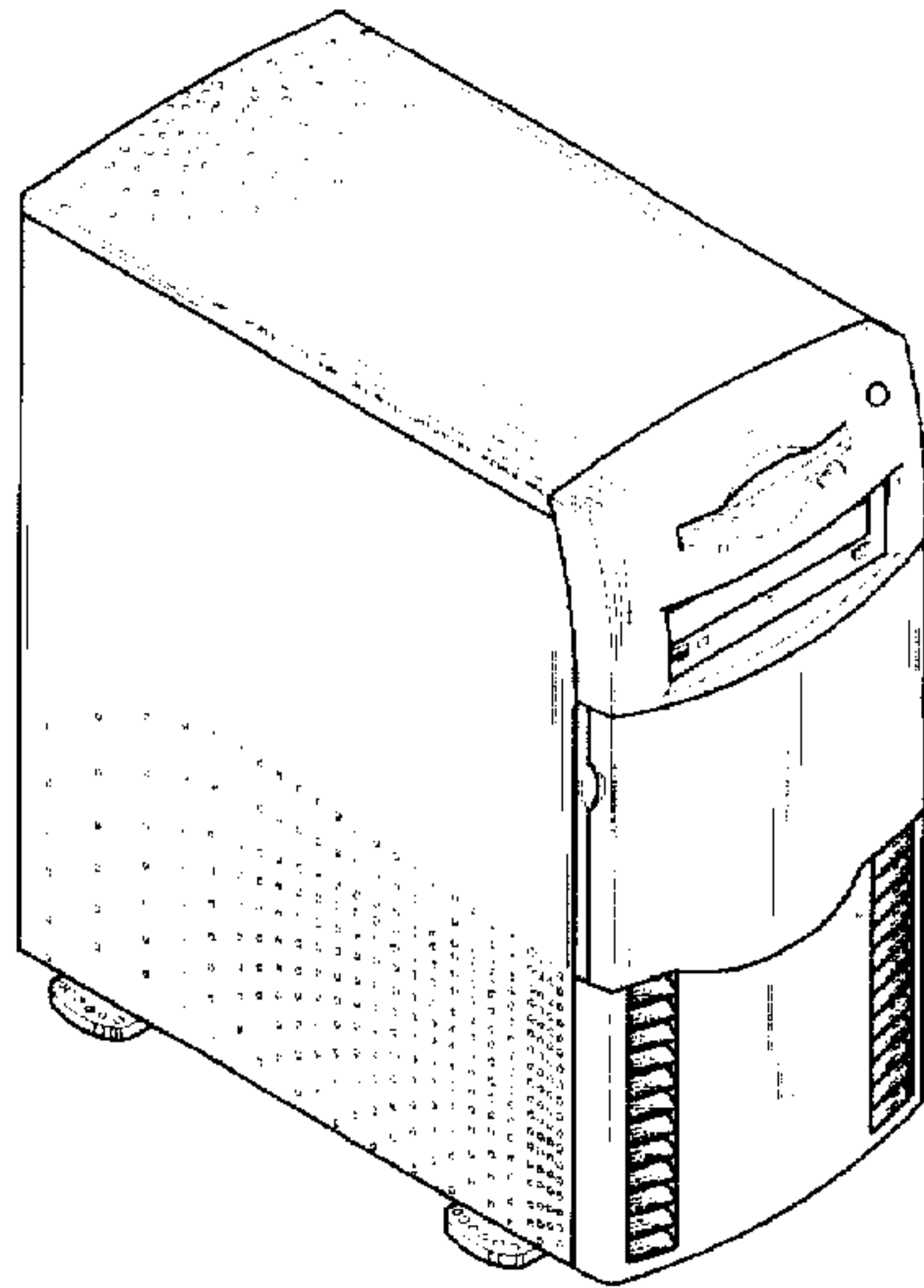
FIG. 8 is a perspective view of a computer showing the front cover opened.

[56] **References Cited**

U.S. PATENT DOCUMENTS

D. 365,087 12/1995 Martin et al. D14/100

1 Claim, 8 Drawing Sheets



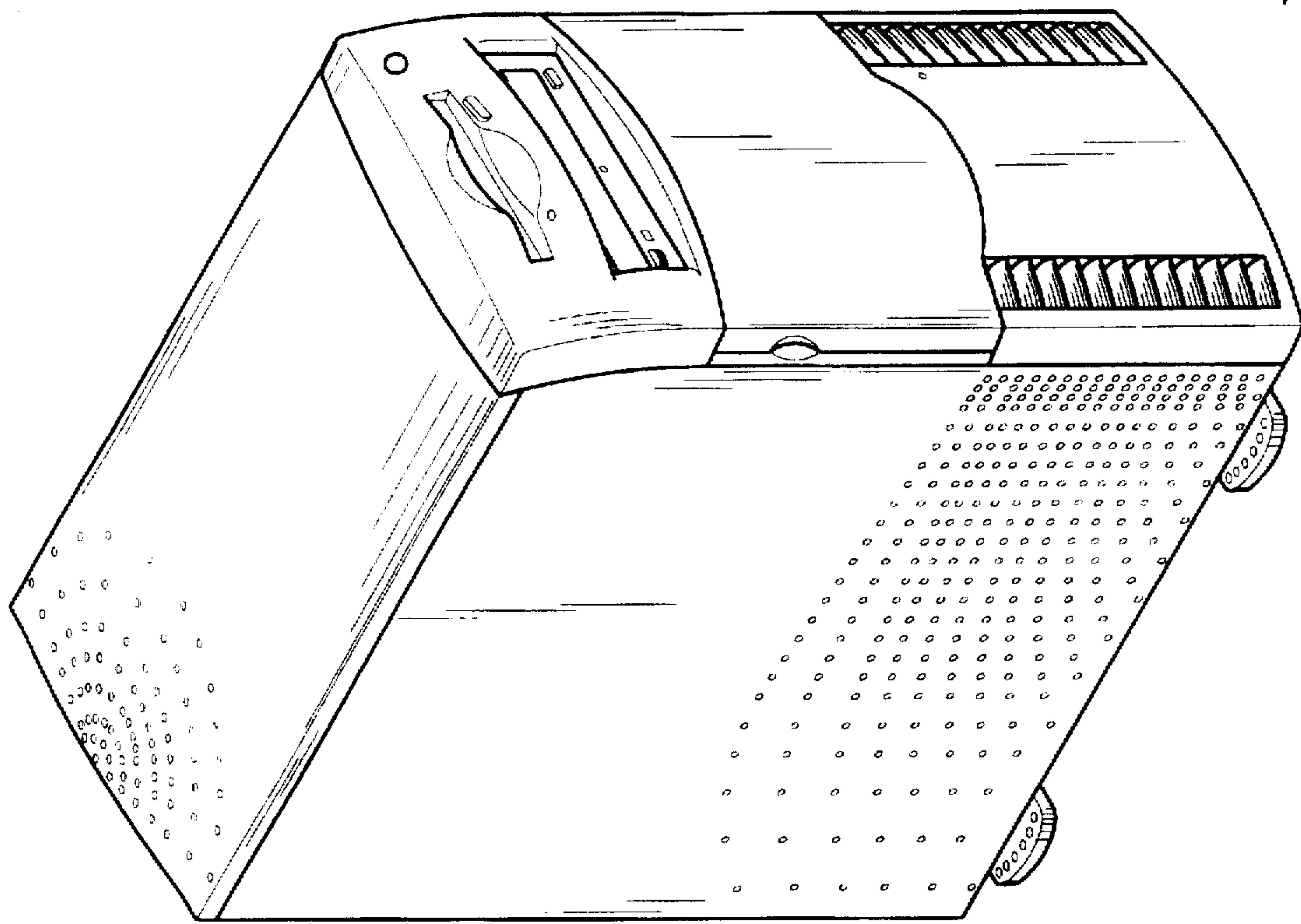


FIG. 1

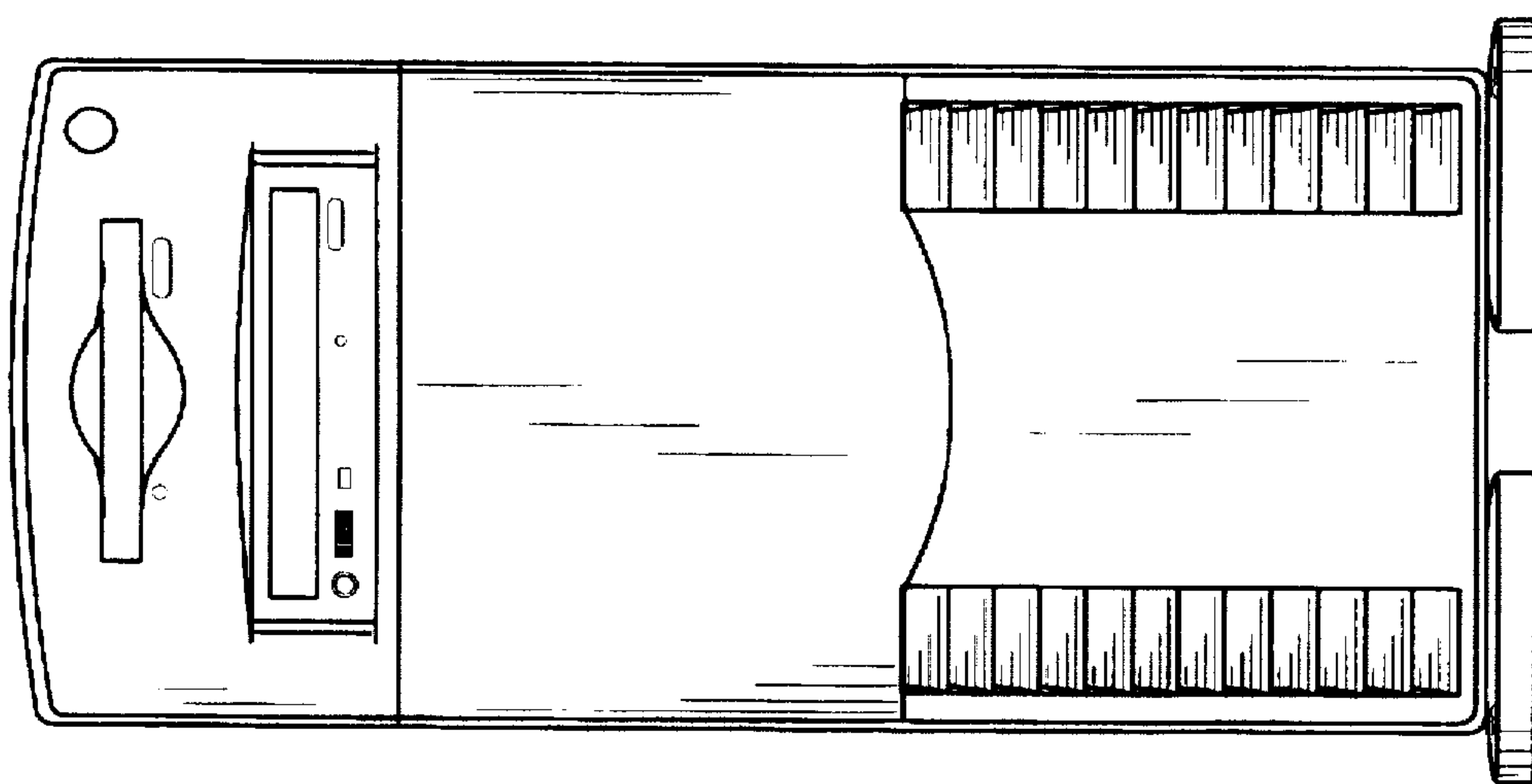


FIG. 2

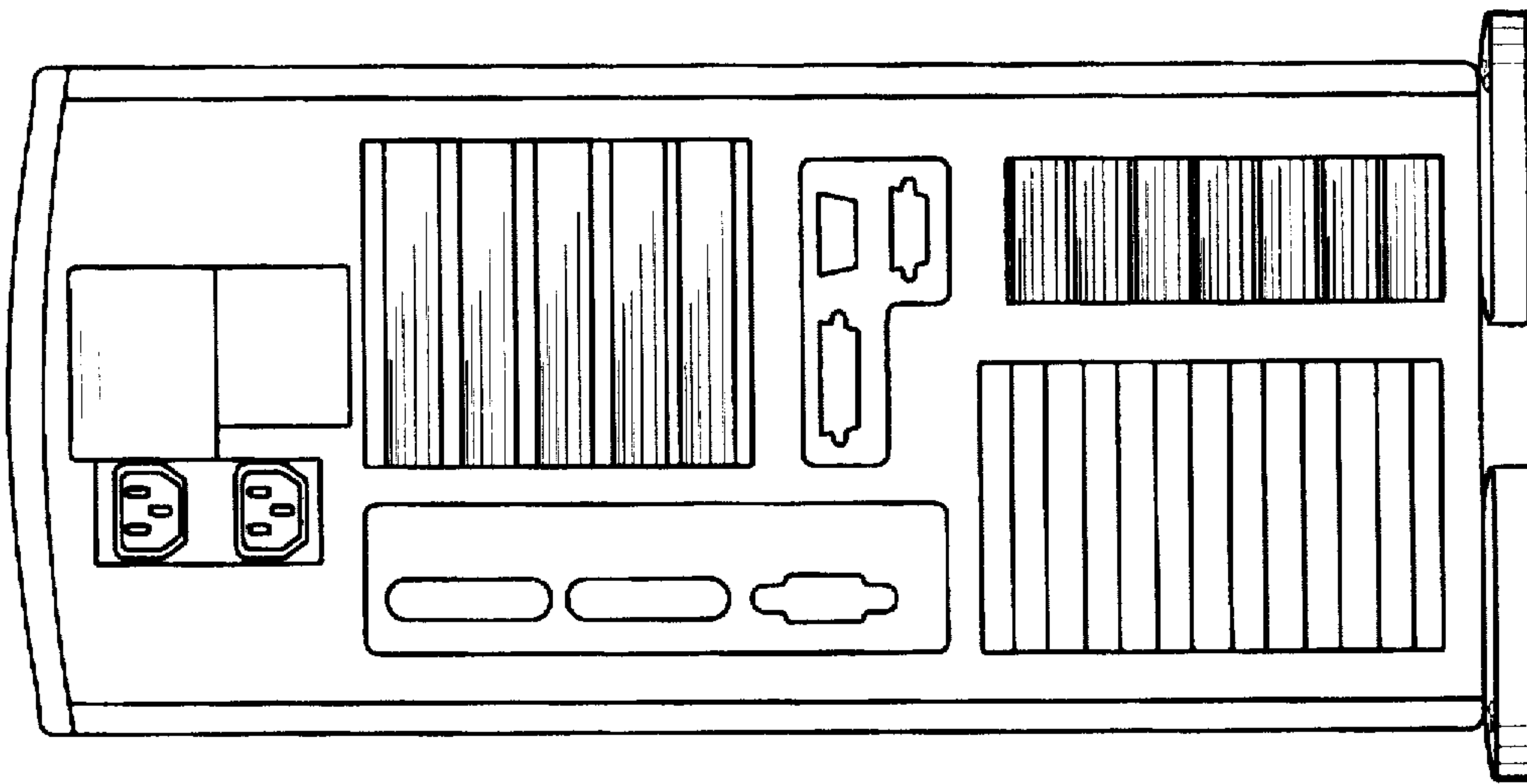


FIG. 3

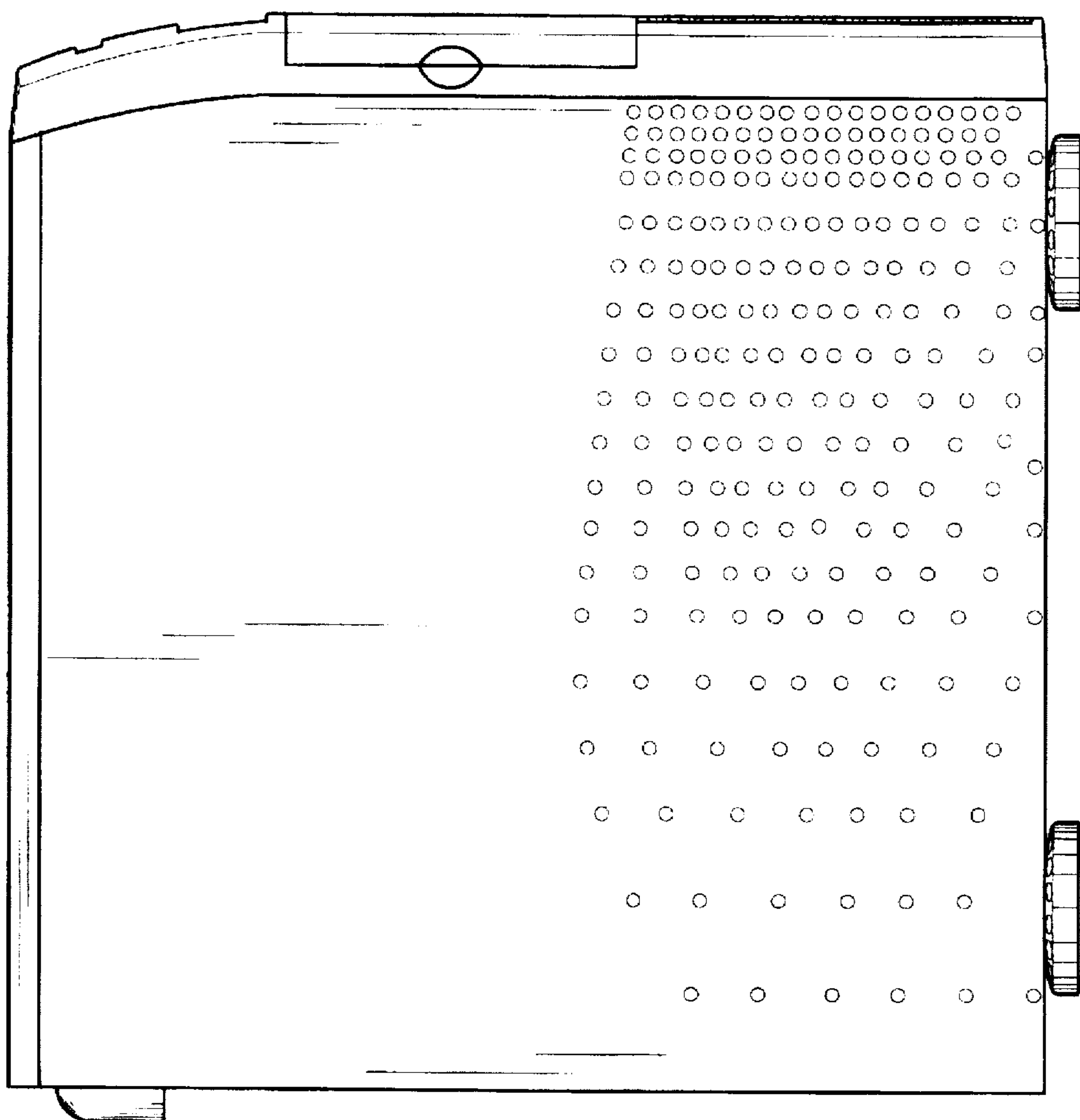


FIG. 4

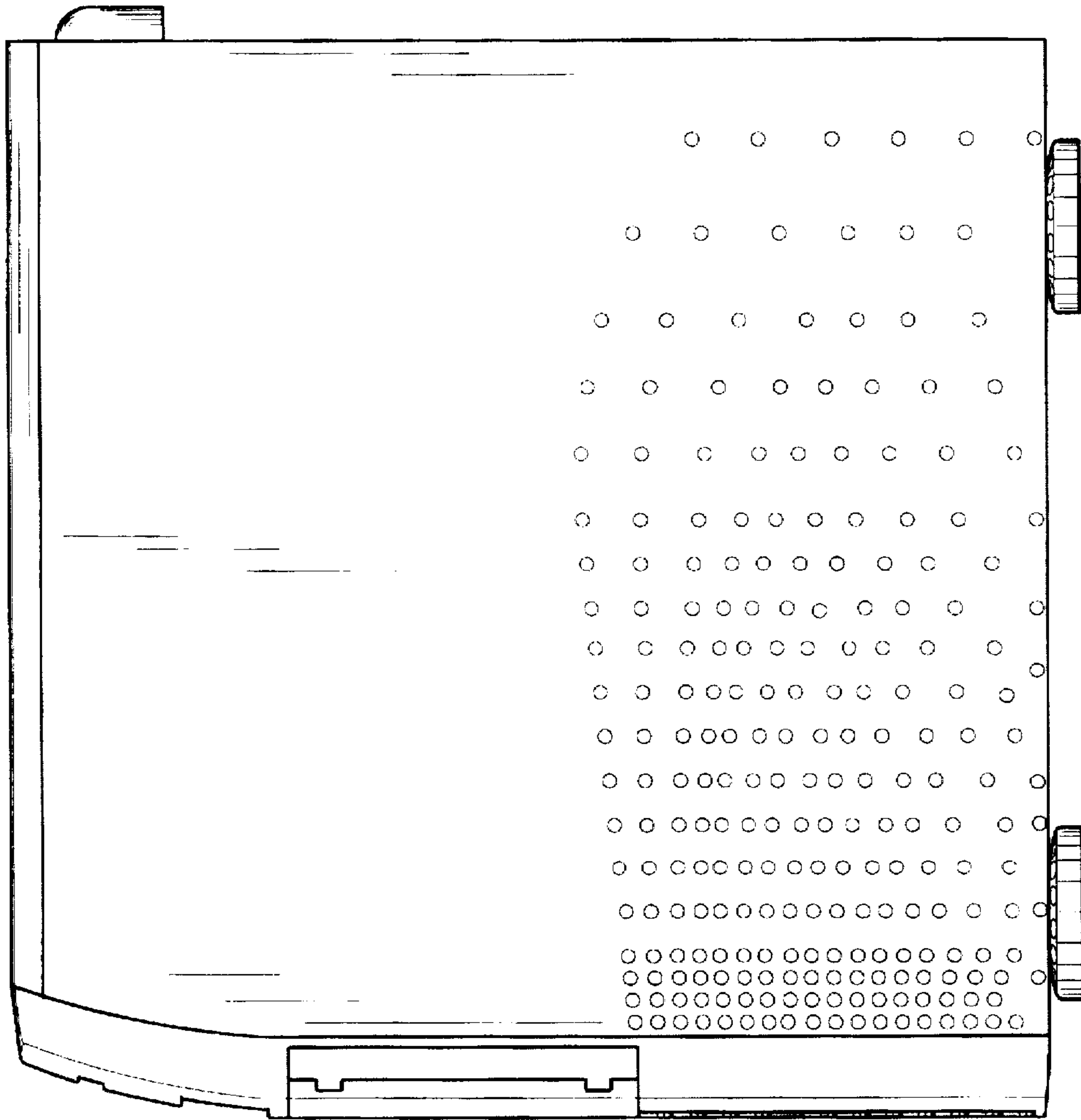


FIG. 5

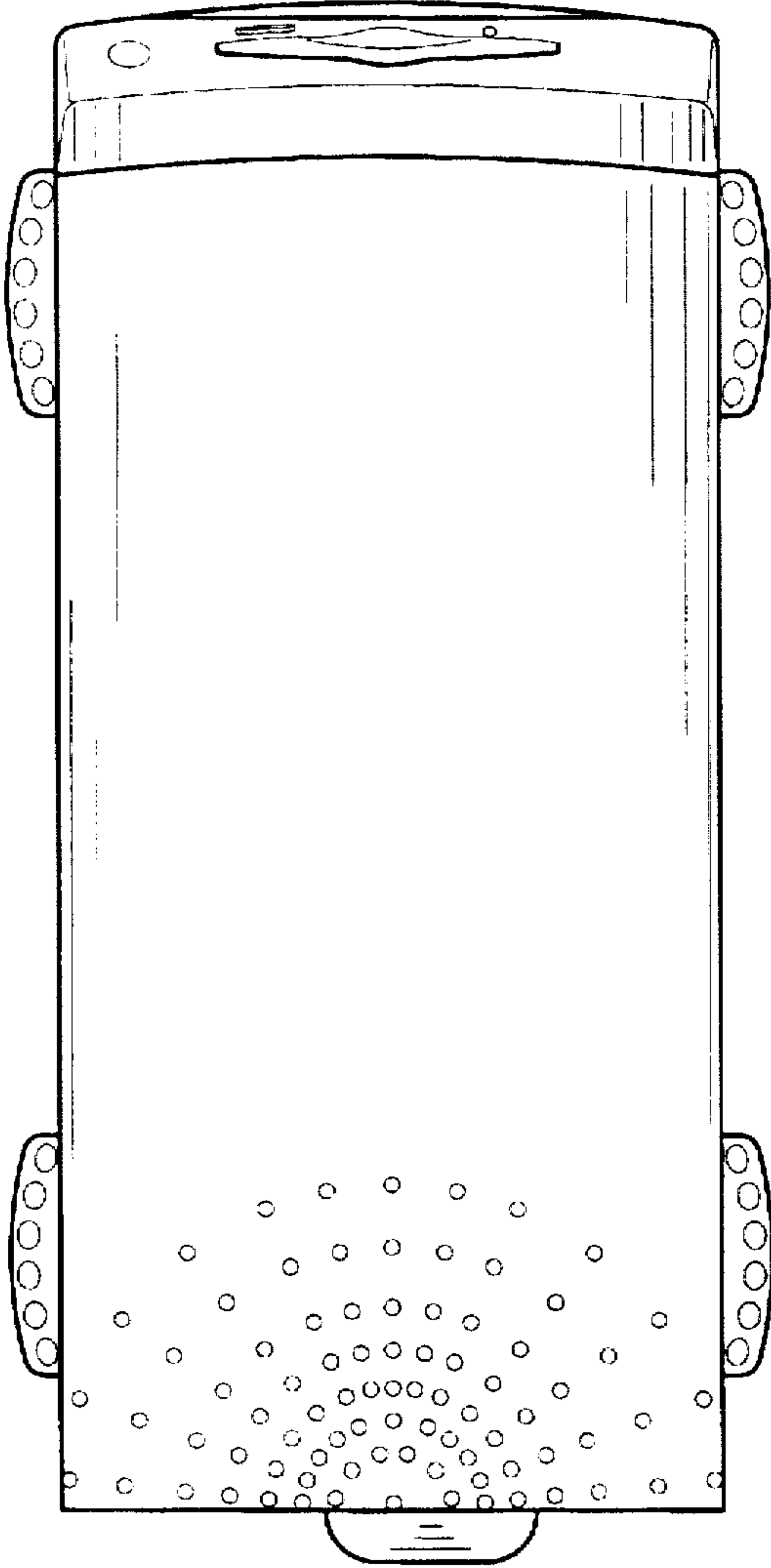


FIG. 6

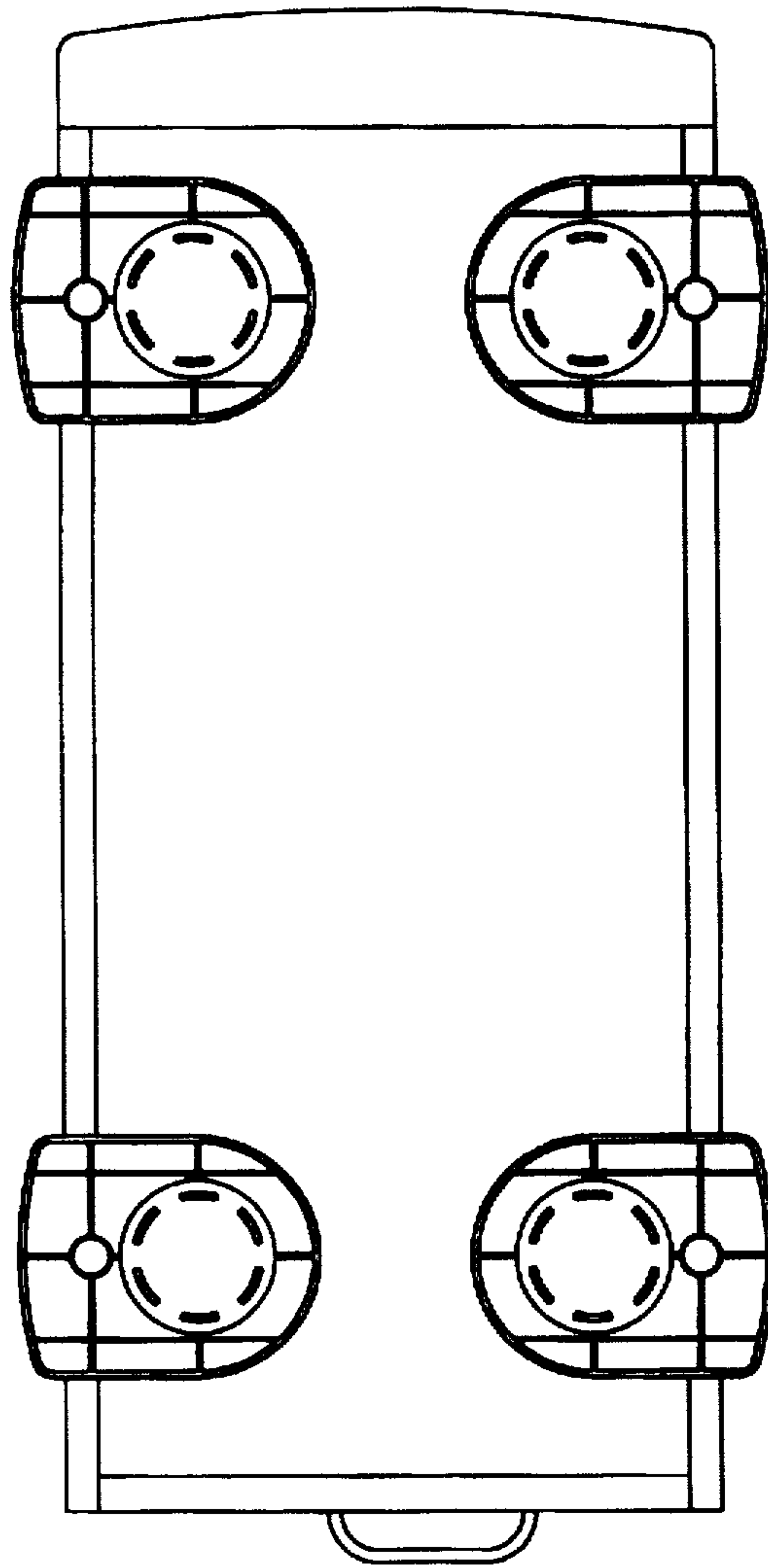


FIG. 7

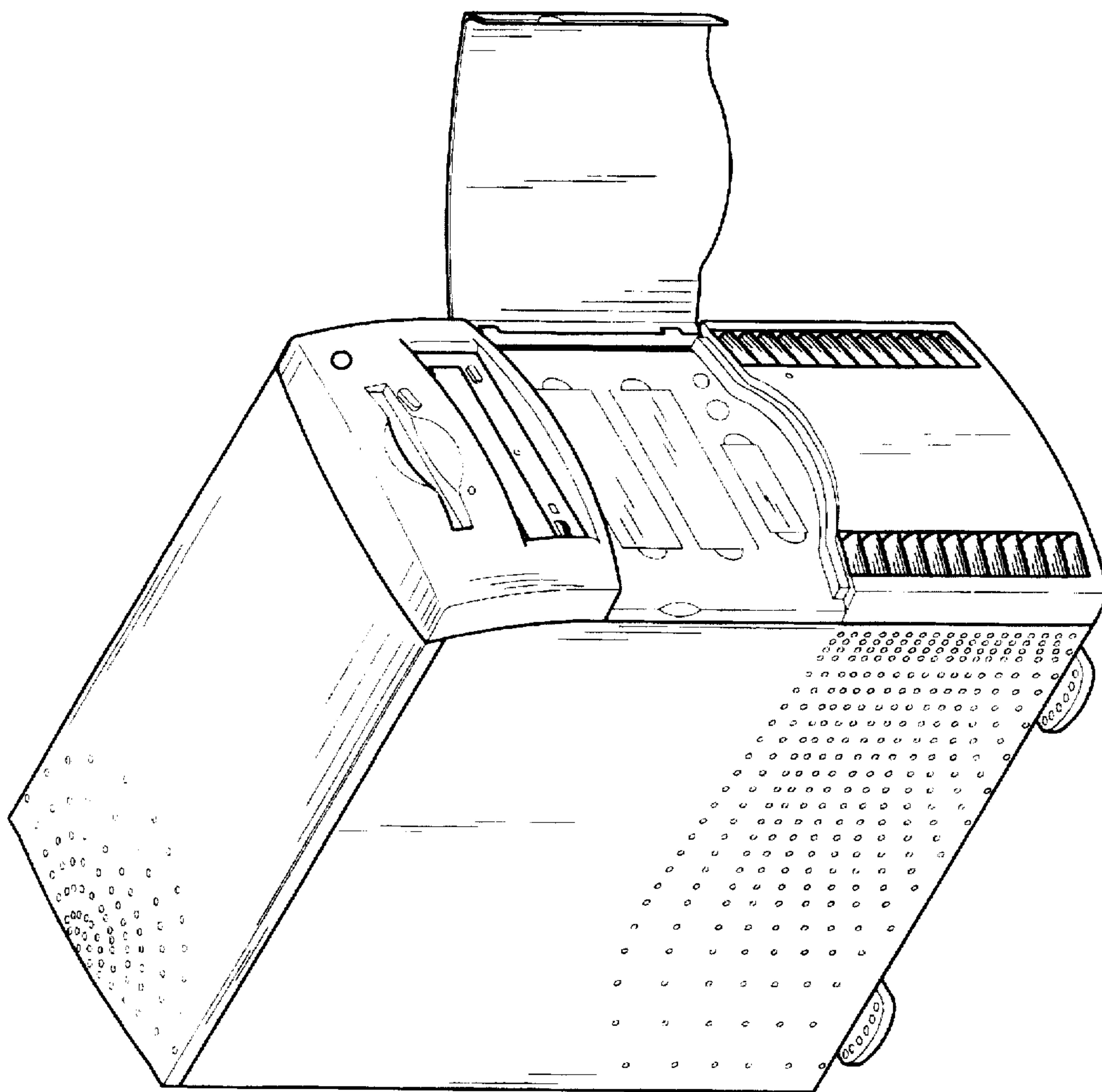


FIG. 8