



US00D396209S

United States Patent [19]
Patane

[11] **Patent Number:** **Des. 396,209**
[45] **Date of Patent:** ****Jul. 21, 1998**

[54] **PORTABLE VEHICLE DECK TRAY**
[76] **Inventor:** **Samuel M. Patane**, 324 Keller Rd.,
Glendora, N.J. 08029
[**] **Term:** **14 Years**
[21] **Appl. No.:** **68,872**
[22] **Filed:** **Apr. 3, 1997**
[51] **LOC (6) Cl.** **12-16**
[52] **U.S. Cl.** **D12/419**
[58] **Field of Search** D12/419-420,
D12/415-418, 424-425; D7/619-620, 701,
708, 707; D9/434, 455; 108/43, 44-46,
132, 146, 157; 224/42.11, 311, 318, 275-276,
42.42, 539-543, 926, 928, 406, 515-520

5,170,720 12/1992 Scheurer 108/44

Primary Examiner—James Gandy
Assistant Examiner—Stacia Sinuik

[57] **CLAIM**

The ornamental design for a portable vehicle deck tray, as shown.

DESCRIPTION

FIG. 1 is a front plan view of the portable vehicle deck tray of the present invention;
FIG. 2 is a back plan view of the portable vehicle deck tray of FIG. 1;
FIG. 3 is a left side plan view of the portable vehicle deck tray of FIG. 1;
FIG. 4 is a right side plan view of the portable vehicle deck tray of FIG. 1;
FIG. 5 is a top plan view of the portable vehicle deck tray of FIG. 1;
FIG. 6 is a bottom plan view of the portable vehicle deck tray of FIG. 1;
FIG. 7 is a cross sectional view along line 7—7 of FIG. 5 of the portable vehicle deck tray of FIG. 1; and,
FIG. 8 is a cross sectional view along line 8—8 of FIG. 5 of the portable vehicle deck tray of FIG. 1.

[56] **References Cited**

U.S. PATENT DOCUMENTS

D. 244,487	5/1977	Jensen	D12/419
D. 273,442	4/1984	Schroeder	D12/419
D. 318,950	8/1991	Chatman	D12/419
D. 328,521	8/1992	Sletvold	D12/419
D. 328,669	8/1992	Sletvold	D12/419
D. 336,985	7/1993	Hickmann et al.	D12/419
D. 341,249	11/1993	Scheurer	D12/419 X
D. 355,636	2/1995	Dickerson et al.	D12/419

1 Claim, 4 Drawing Sheets

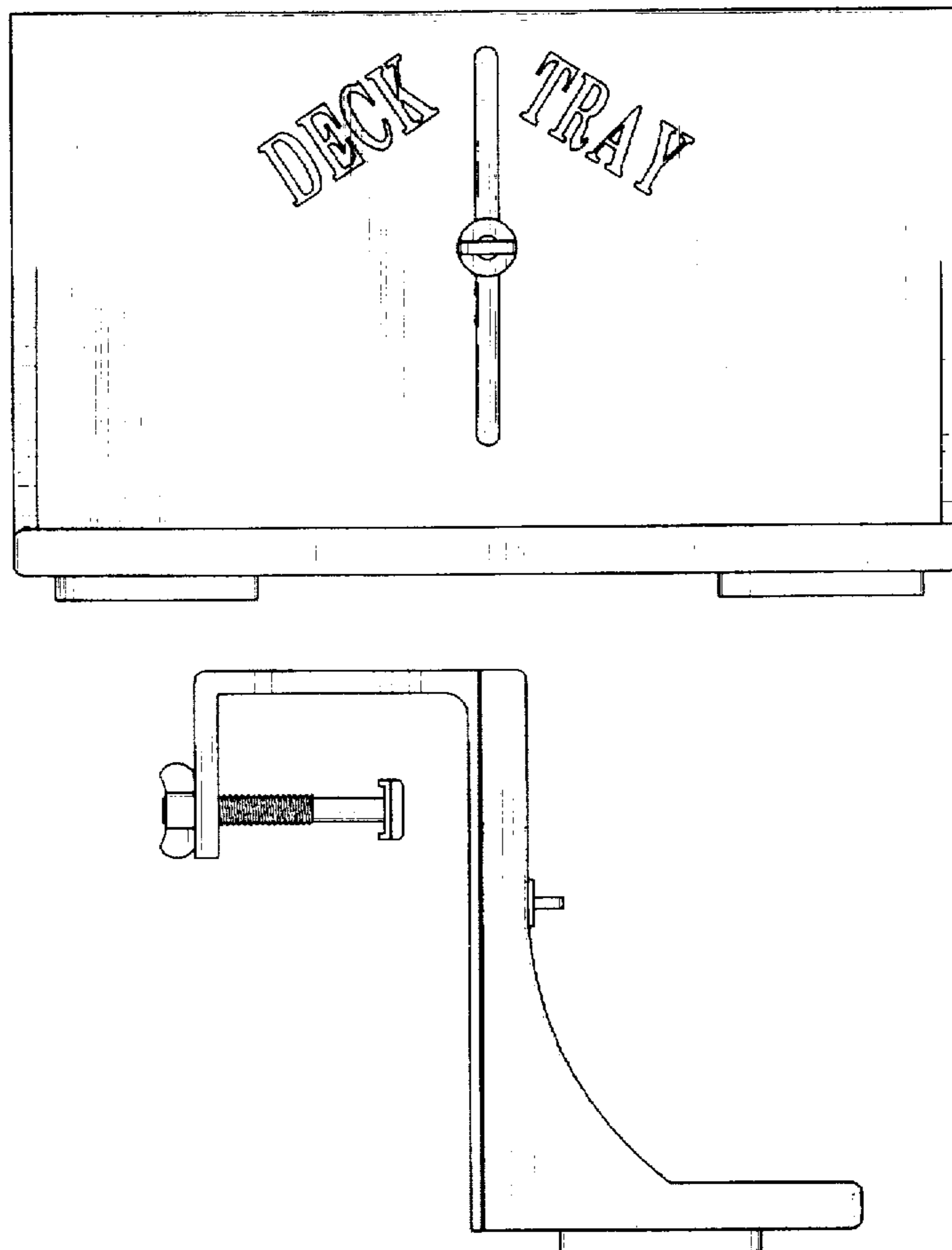


FIG. 1

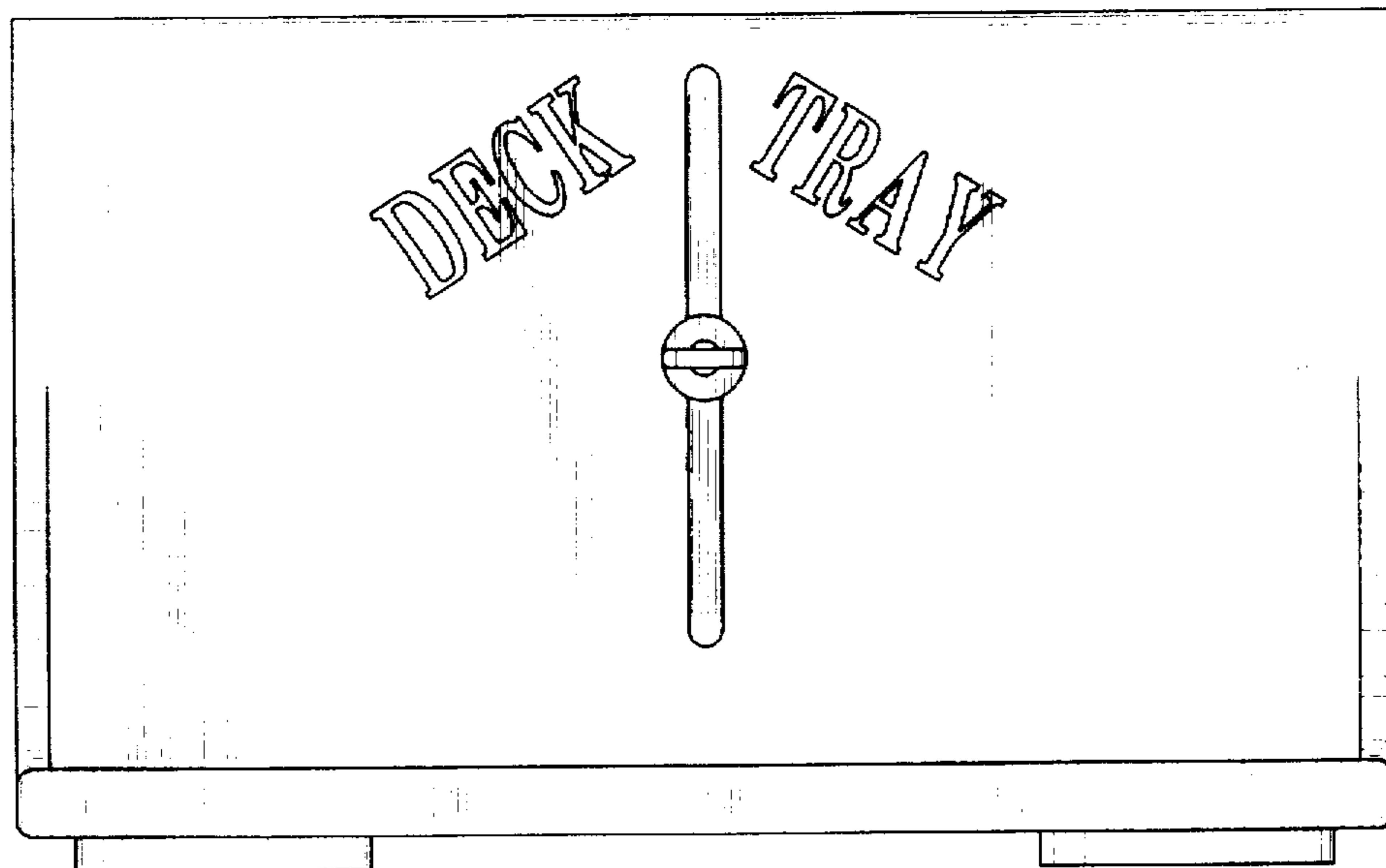


FIG. 2

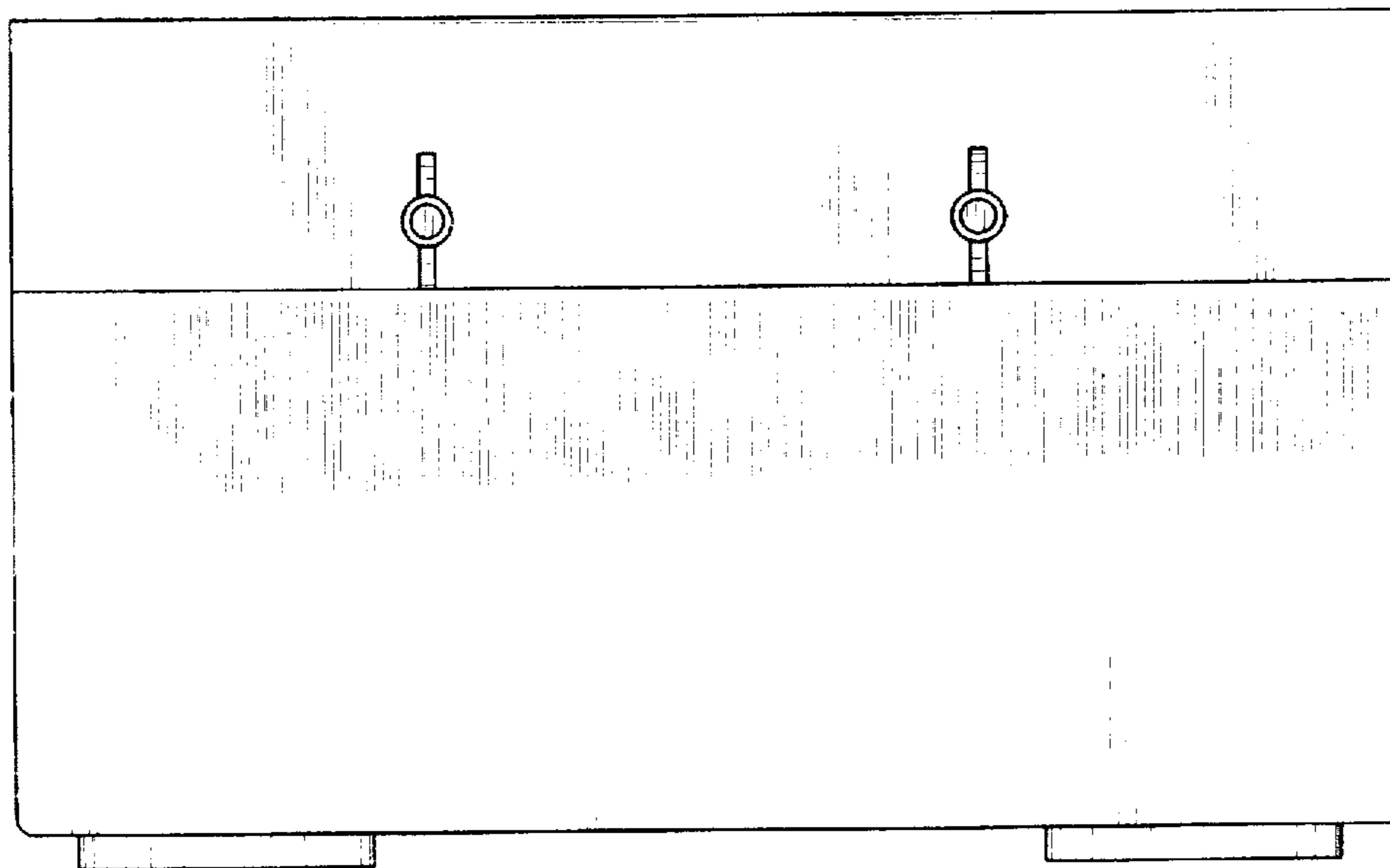


FIG. 3

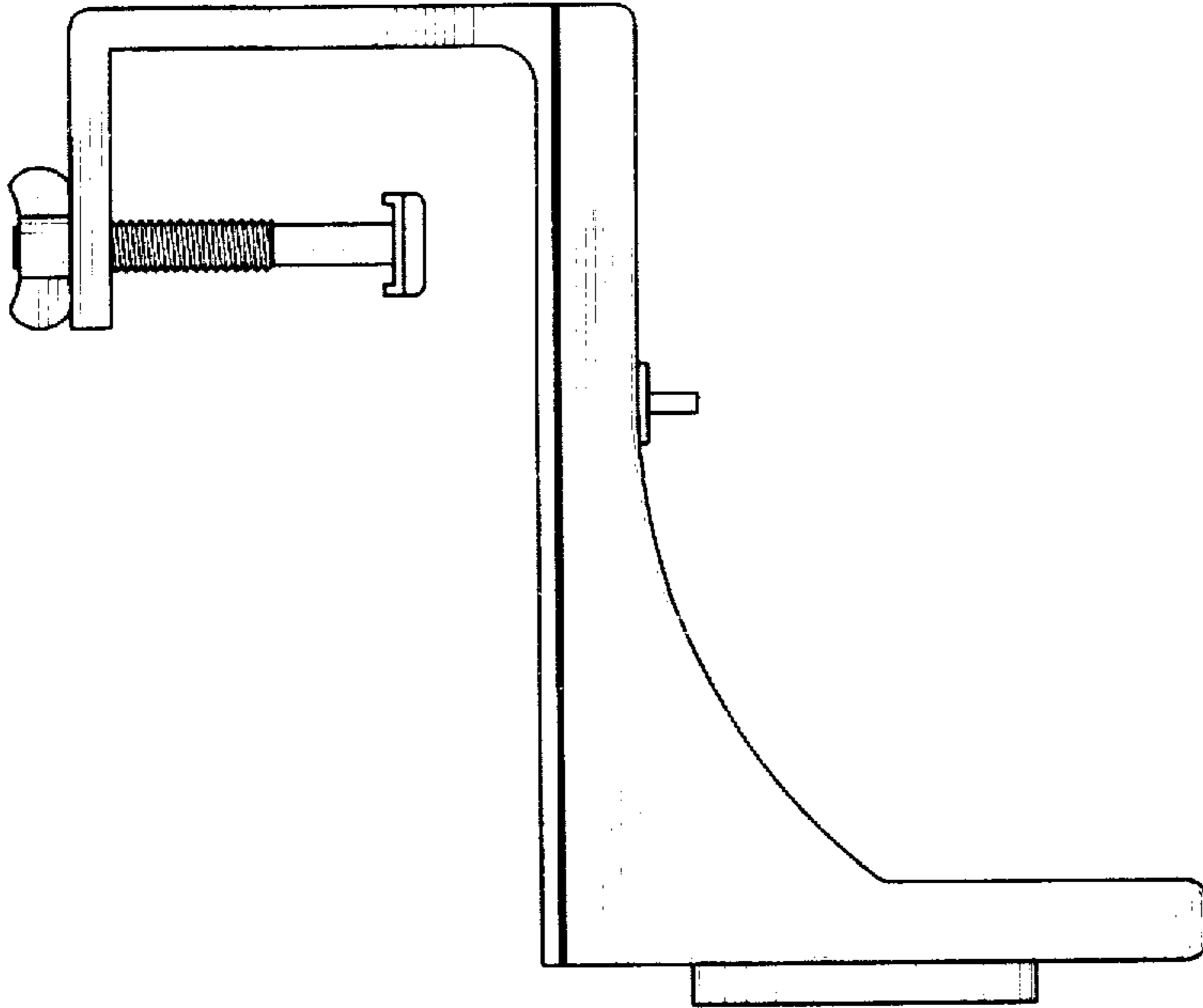
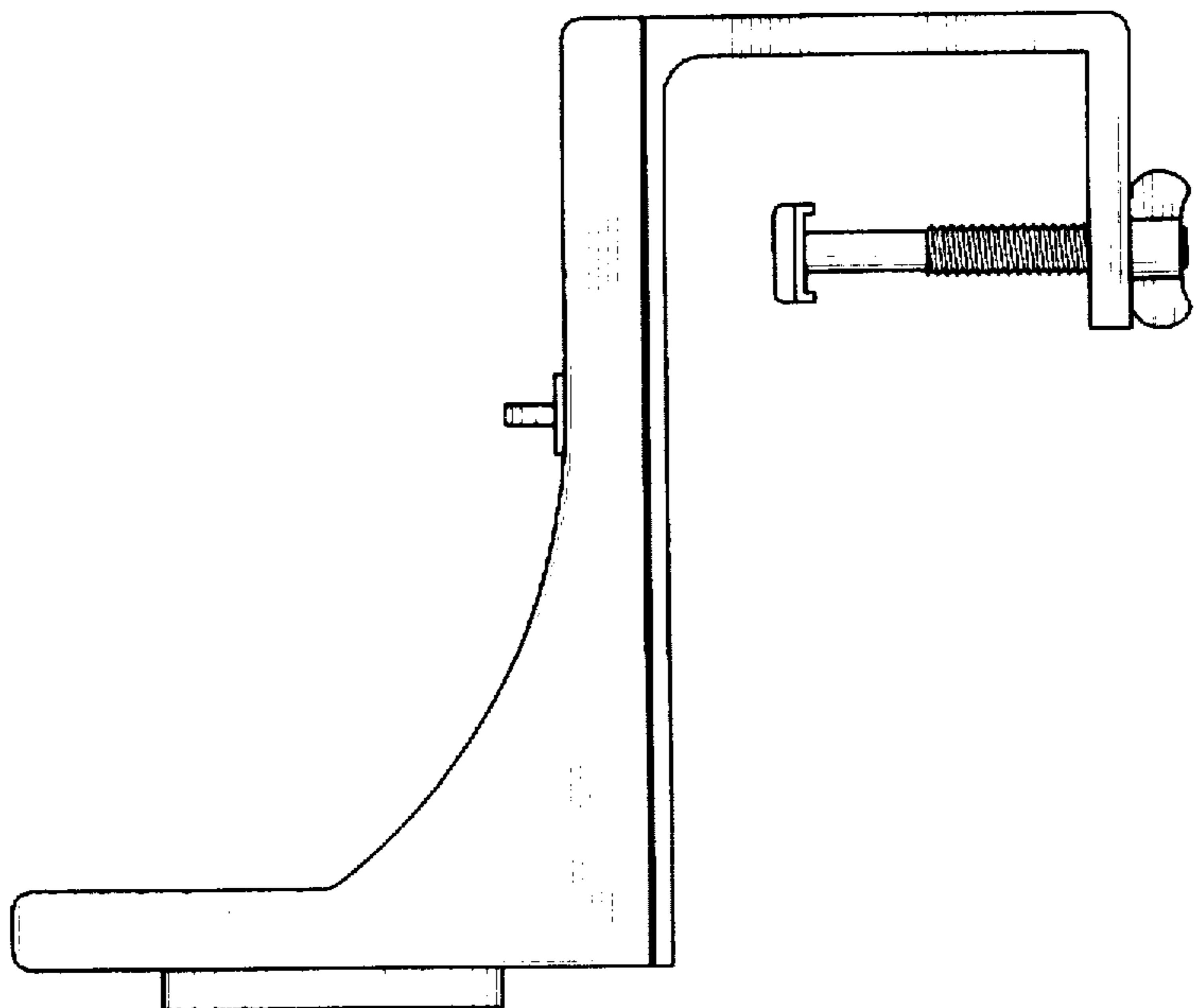


FIG. 4



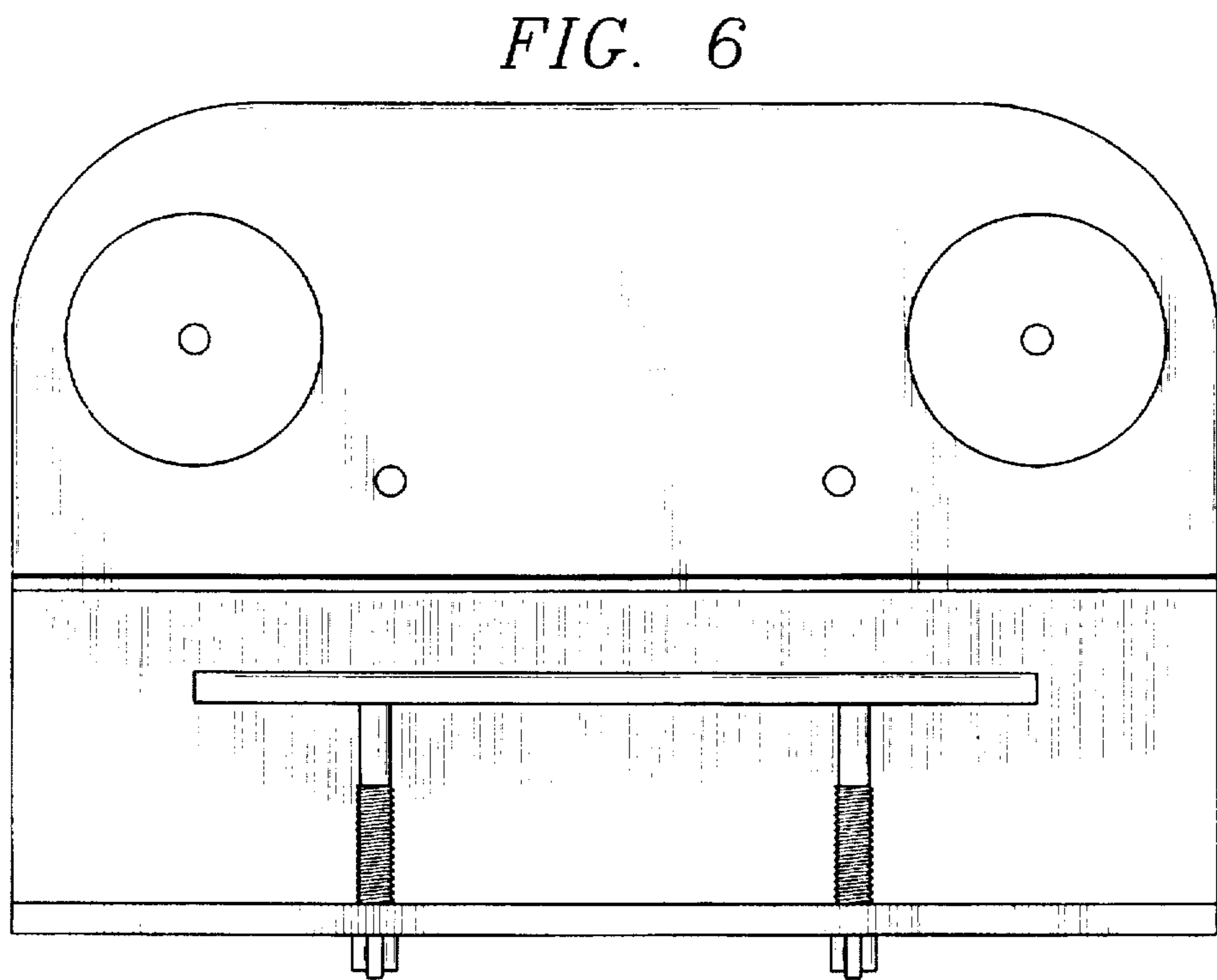
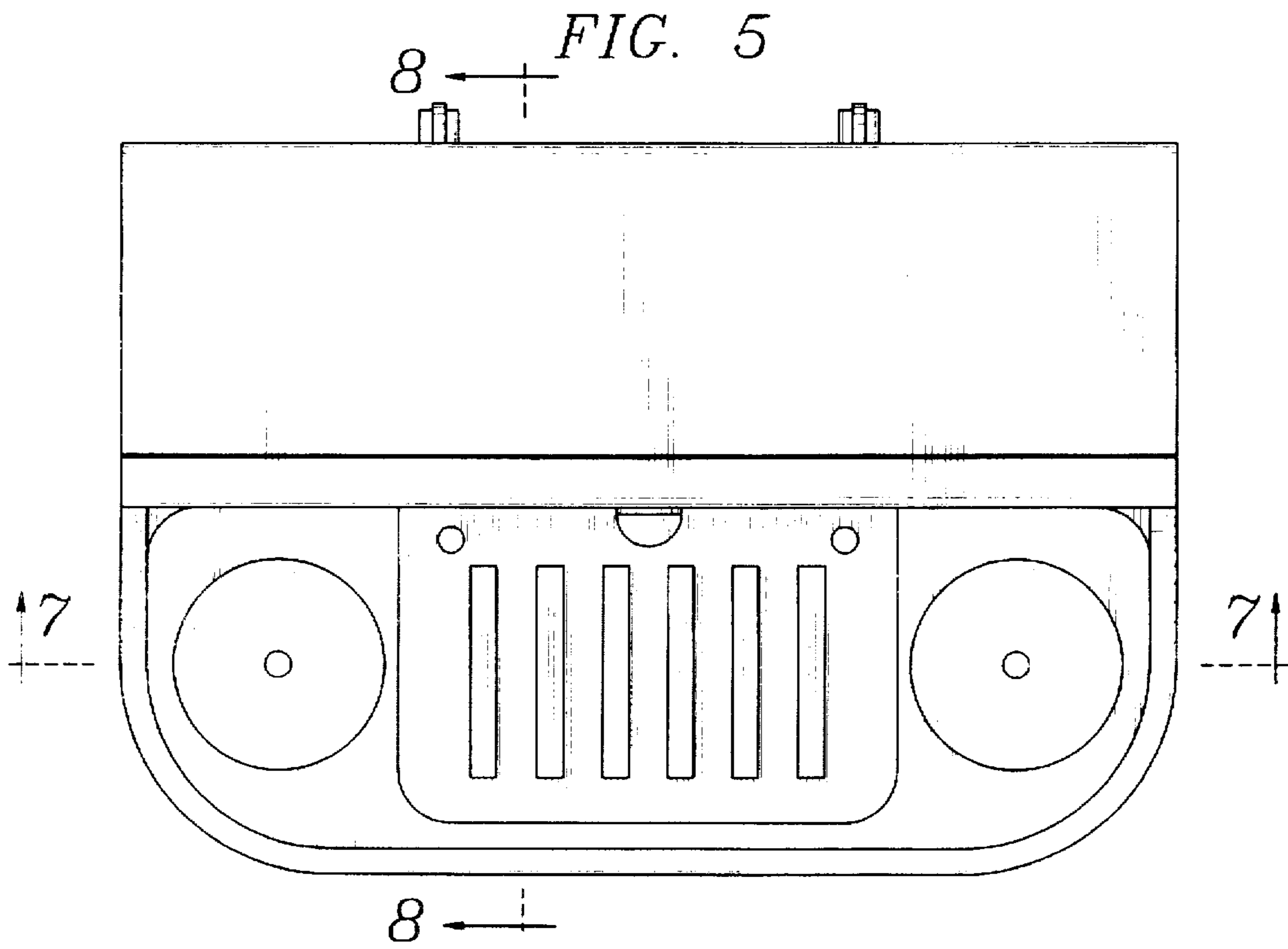


FIG. 7

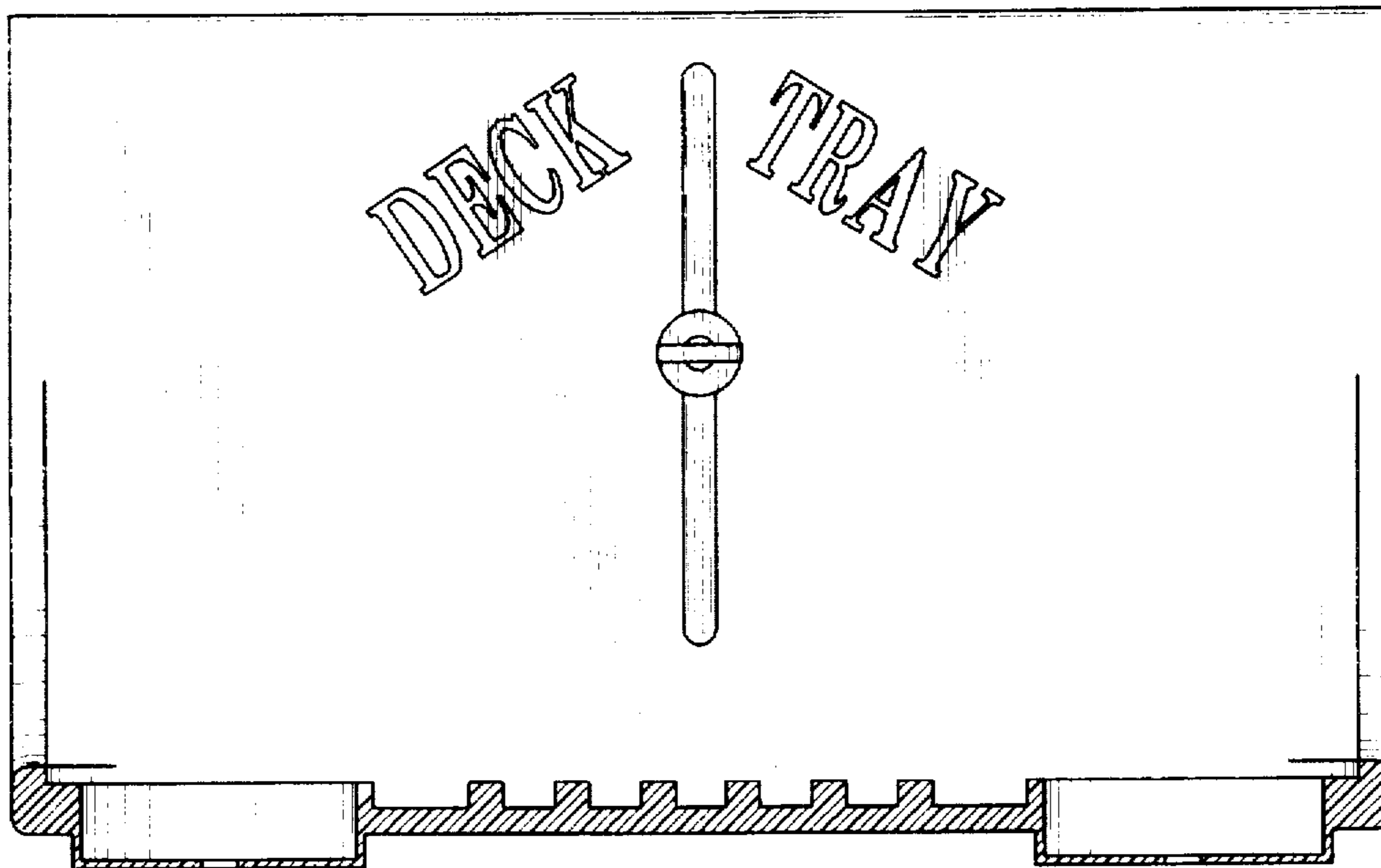


FIG. 8

