



US00D396208S

United States Patent [19]
Baumgartner et al.

[11] **Patent Number: Des. 396,208**
[45] **Date of Patent: **Jul. 21, 1998**

[54] **VEHICLE WHEEL FACE**

[75] **Inventors: Heinrich Baumgartner, Schiltach; Ewald Frick, Alpirsbach, both of Germany**

[73] **Assignee: BBS Kraftfahrzeugtechnik AG, Schiltach, Germany**

[**] **Term: 14 Years**

[21] **Appl. No.: 49,898**

[22] **Filed: Feb. 2, 1996**

[51] **LOC (6) Cl. 12-16**

[52] **U.S. Cl. D12/211**

[58] **Field of Search D12/204-213; 301/64.1, 65, 37.1**

BBS "Applications and Technical Specifications", vol. 3, 1993, inside cover—RD Design Wheel.

BBS Of America brochure, Titled "BBS Culture of Driving", dated Sep. 1993.

BBS Bugatti/Pininfarina Application Guide Price List 1993/1994.

Primary Examiner—James Gandy

Assistant Examiner—Stacia Sinuik

Attorney, Agent, or Firm—Dick and Harris

[57] **CLAIM**

The ornamental design for vehicle wheel face, as shown and described.

[56] **References Cited**

U.S. PATENT DOCUMENTS

D. 56,897	1/1921	Stothoff	D12/209
D. 267,488	1/1983	Hayashi	D12/211
D. 337,563	7/1993	Boselli	D12/209
D. 352,688	11/1994	Boselli	D12/211
D. 360,610	7/1995	Bernoni	D12/211
D. 377,471	1/1997	Stach	D12/209

OTHER PUBLICATIONS

D & W Bestell Katalog, (Germany) 1994, p. 275, see "Mehrteilig".

Ford Motorsport, 1985 Catalog, Titled "Performance Equipment" dated Oct. 1, 1984, p. 24, Item listed M-1007-C146—Superior Wheel.

DESCRIPTION

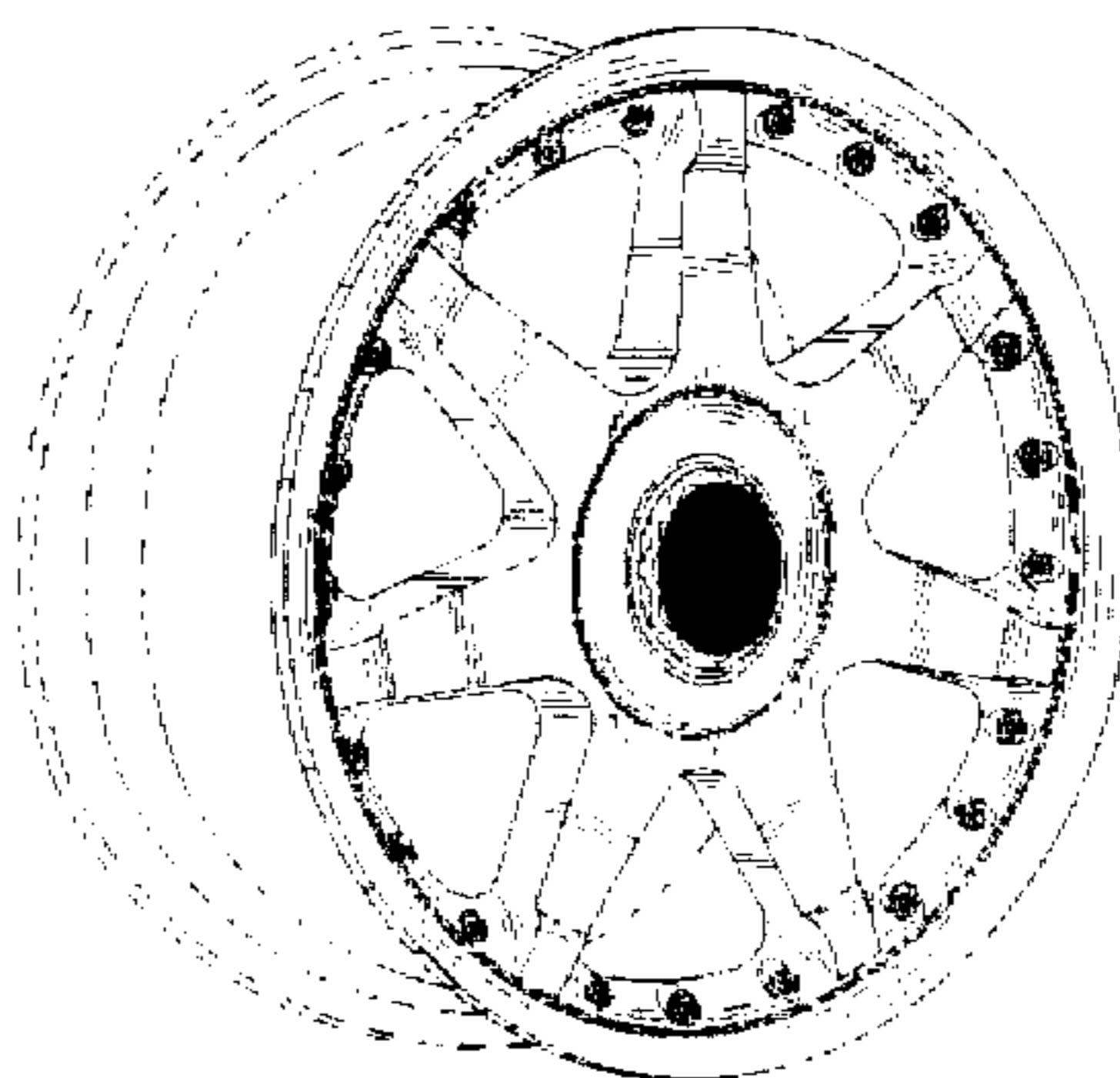
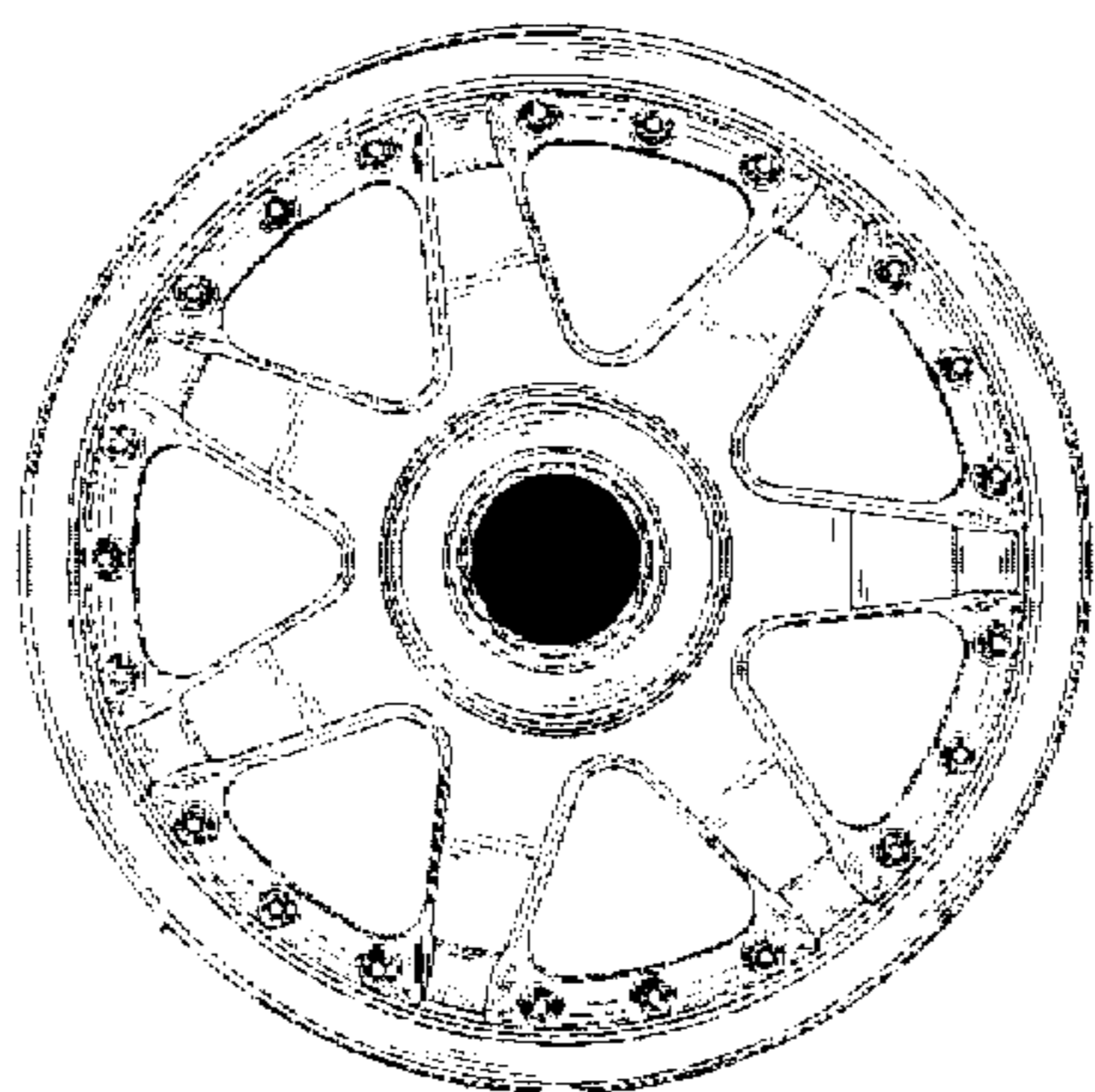
FIG. 1 is a front elevation of the vehicle wheel face having our new ornamental design;

FIG. 2 is an enlarged fragmentary view thereof; and,

FIG. 3 is a front perspective view of the wheel in FIG. 1.

That which is illustrated in broken lines forms no part of the claimed design and is shown merely for purposes of illustration of the environment of the claimed design.

1 Claim, 3 Drawing Sheets



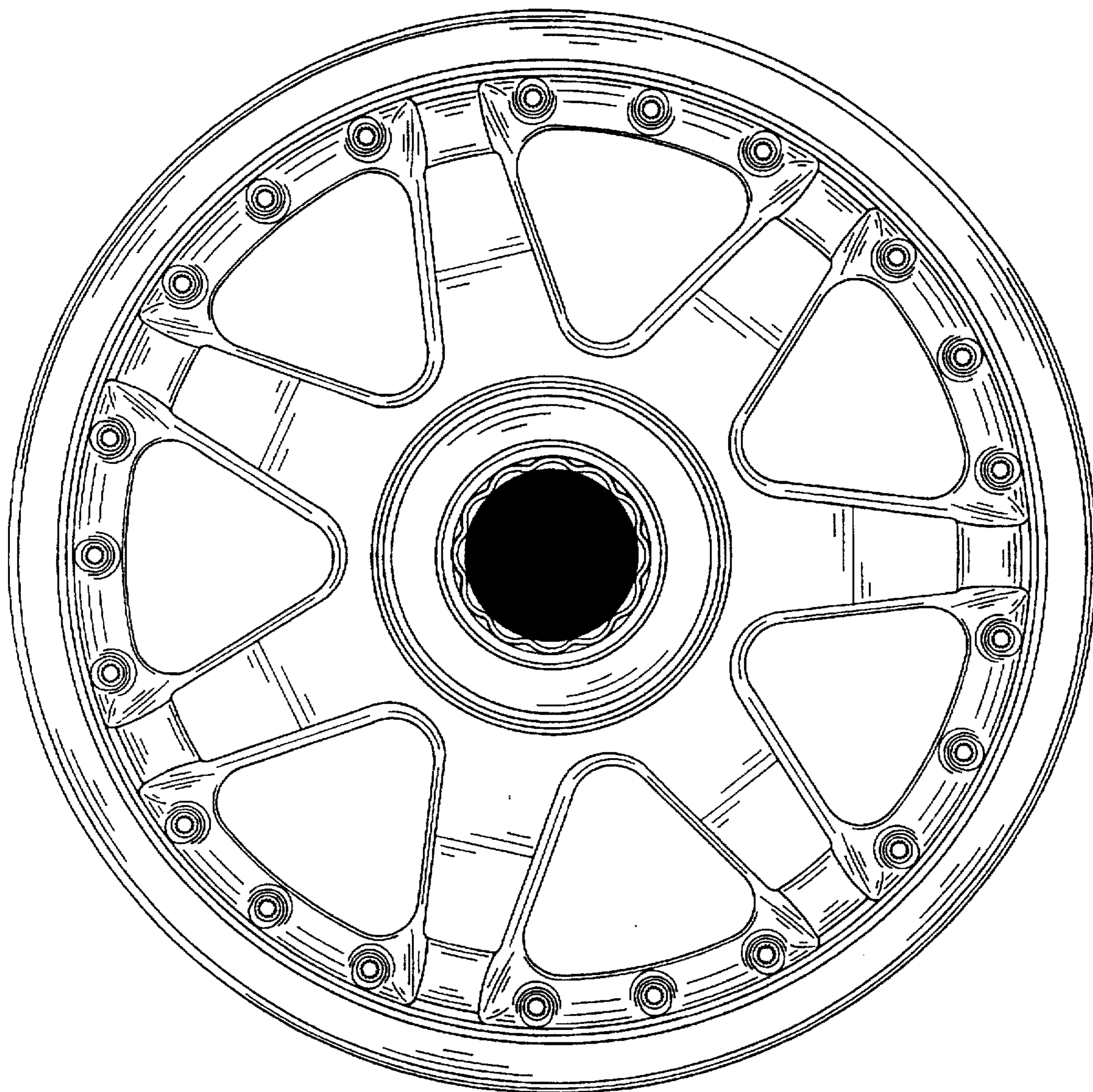


FIG. 1

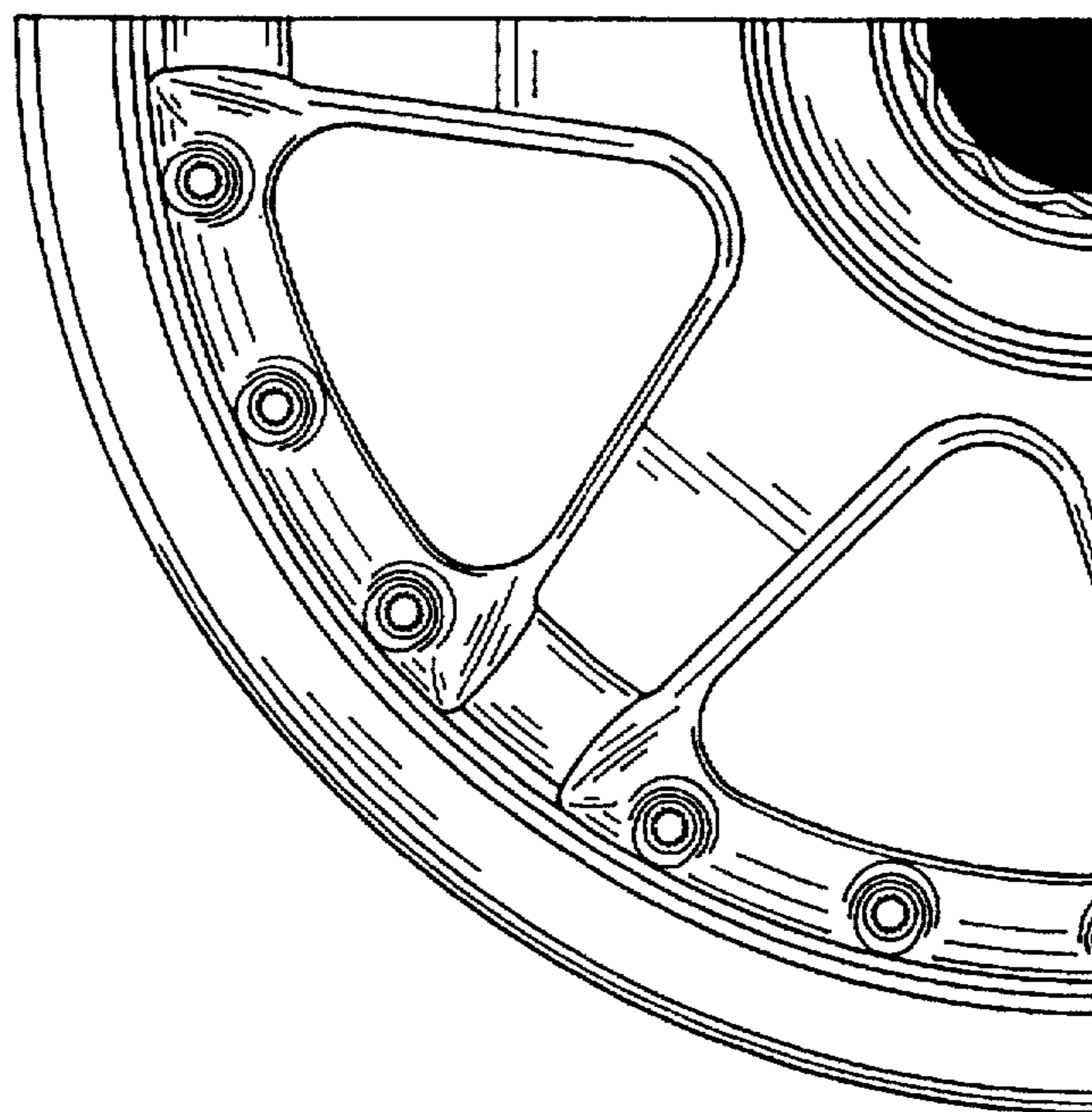


FIG. 2

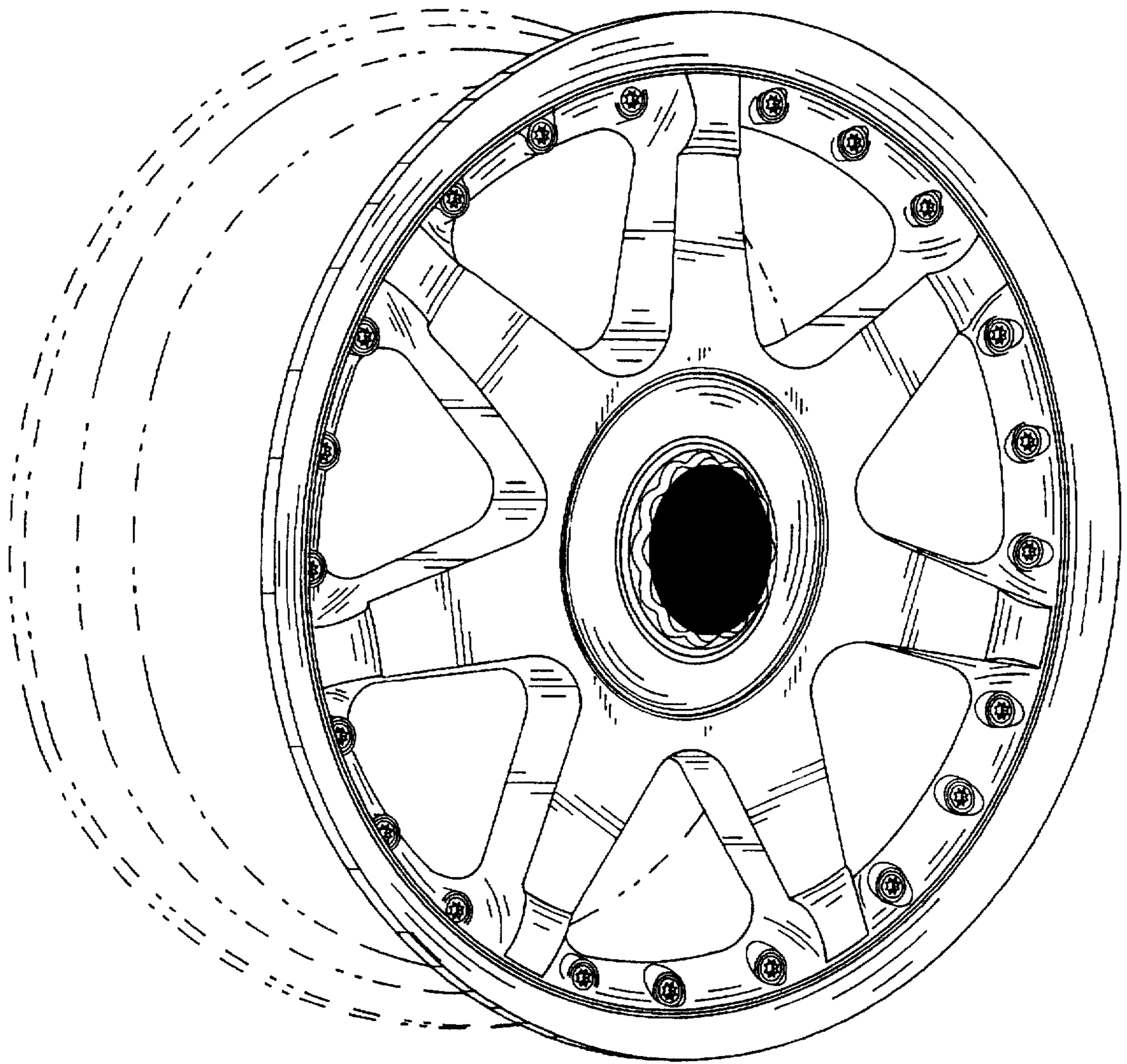


FIG. 3