



US00D396203S

United States Patent [19]

[11] Patent Number: **Des. 396,203**

Uematsu et al.

[45] Date of Patent: ****Jul. 21, 1998**

[54] MOTOR VEHICLE

[75] Inventors: **Takahiro Uematsu; Toru Takagi; Akihiro Sugita**, all of Kanagawa, Japan

[73] Assignee: **Isuzu Motors Limited**, Tokyo, Japan

[**] Term: **14 Years**

[21] Appl. No.: **74,221**

[22] Filed: **Jul. 30, 1997**

[51] LOC (6) Cl. **12-08**

[52] U.S. Cl. **D12/91**

[58] Field of Search **D12/90-93, 86; 296/185**

[56] References Cited

U.S. PATENT DOCUMENTS

D. 318,828	8/1991	Wada et al.	D12/91
D. 365,783	1/1996	Starr et al.	D12/91
D. 374,415	10/1996	Thomson	D12/91
D. 379,945	6/1997	Kawase et al.	D12/91

OTHER PUBLICATIONS

Isuzu Motor's "MU Wizard Type E" from Japanese Motor Vehicle Guidebook issued Oct. 25, 1996, 3 pages.

Primary Examiner—Melody N. Brown
Attorney, Agent, or Firm—Sughrue, Mion, Zinn, Macpeak & Seas, PLLC

[57] CLAIM

The ornamental design for a motor vehicle, as shown and described.

DESCRIPTION

FIG. 1 is a perspective view of the top, front and right side of a motor vehicle showing our new design;

FIG. 2 is a perspective view of the top, rear and right side thereof;

FIG. 3 is a right side elevational view thereof, the opposite side being a mirror image thereof;

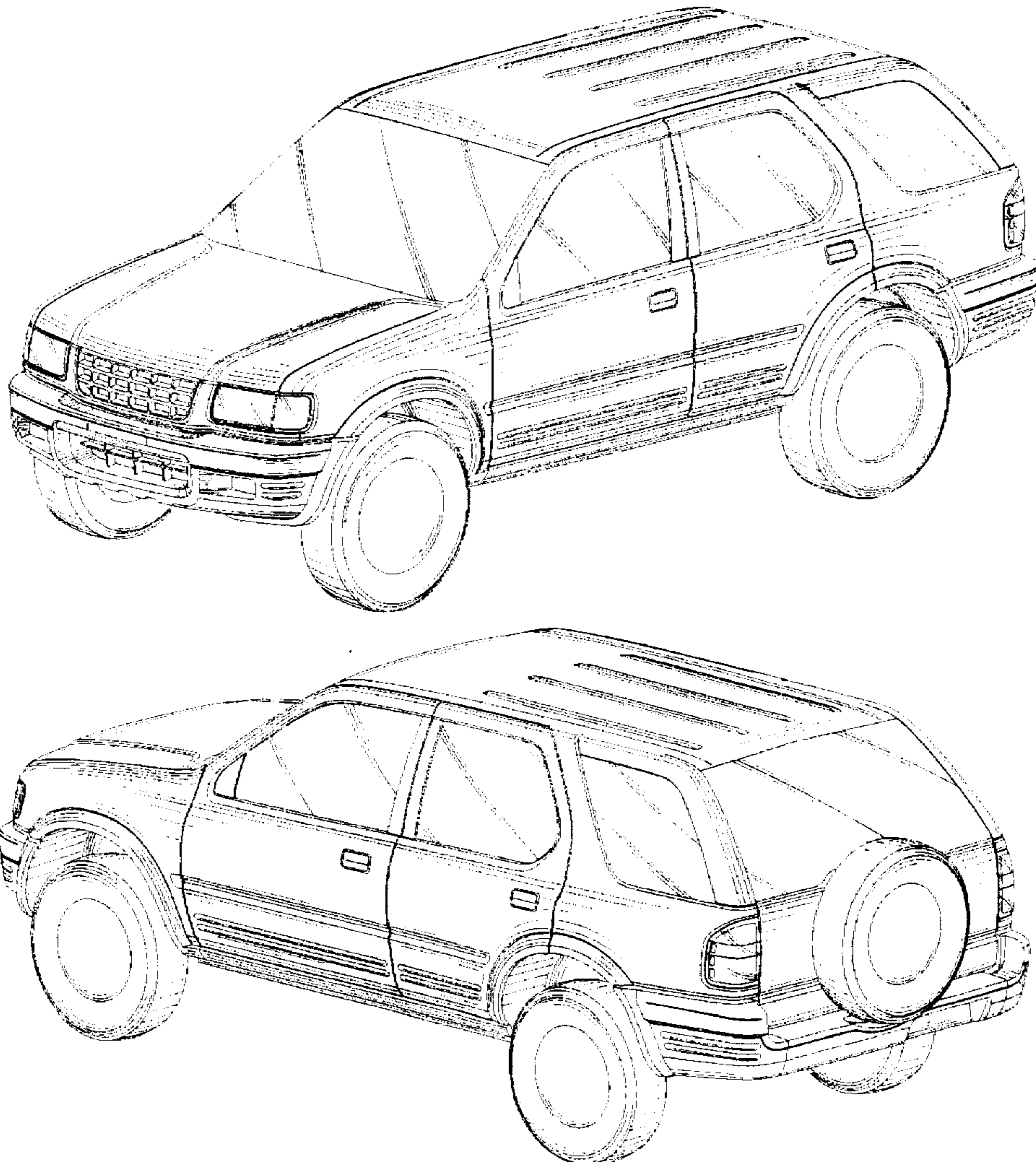
FIG. 4 is a top plan view thereof;

FIG. 5 is a front elevational view thereof;

FIG. 6 is a rear elevational view thereof; and,

FIG. 7 is a bottom plan view thereof.

1 Claim, 6 Drawing Sheets



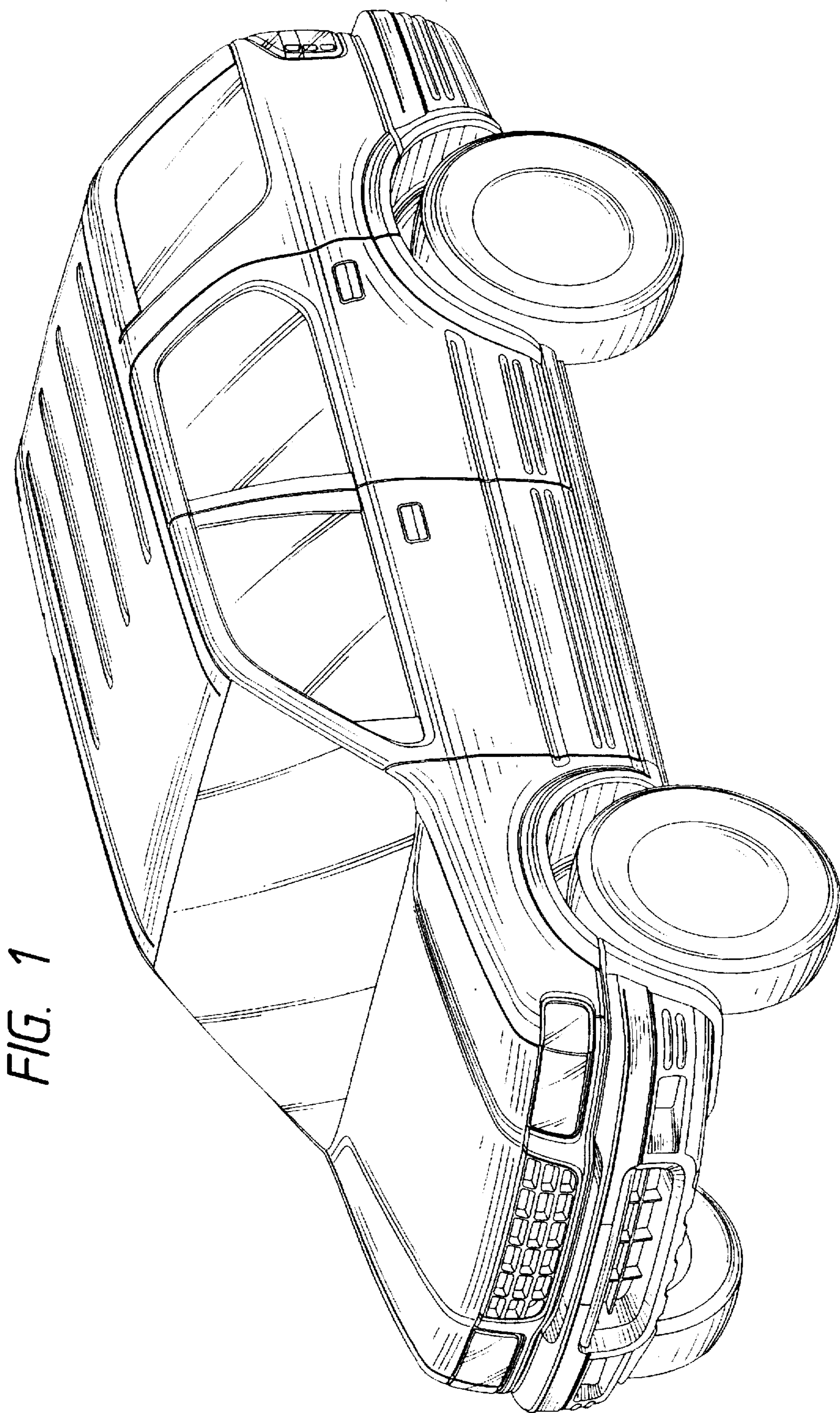


FIG. 1

FIG. 2

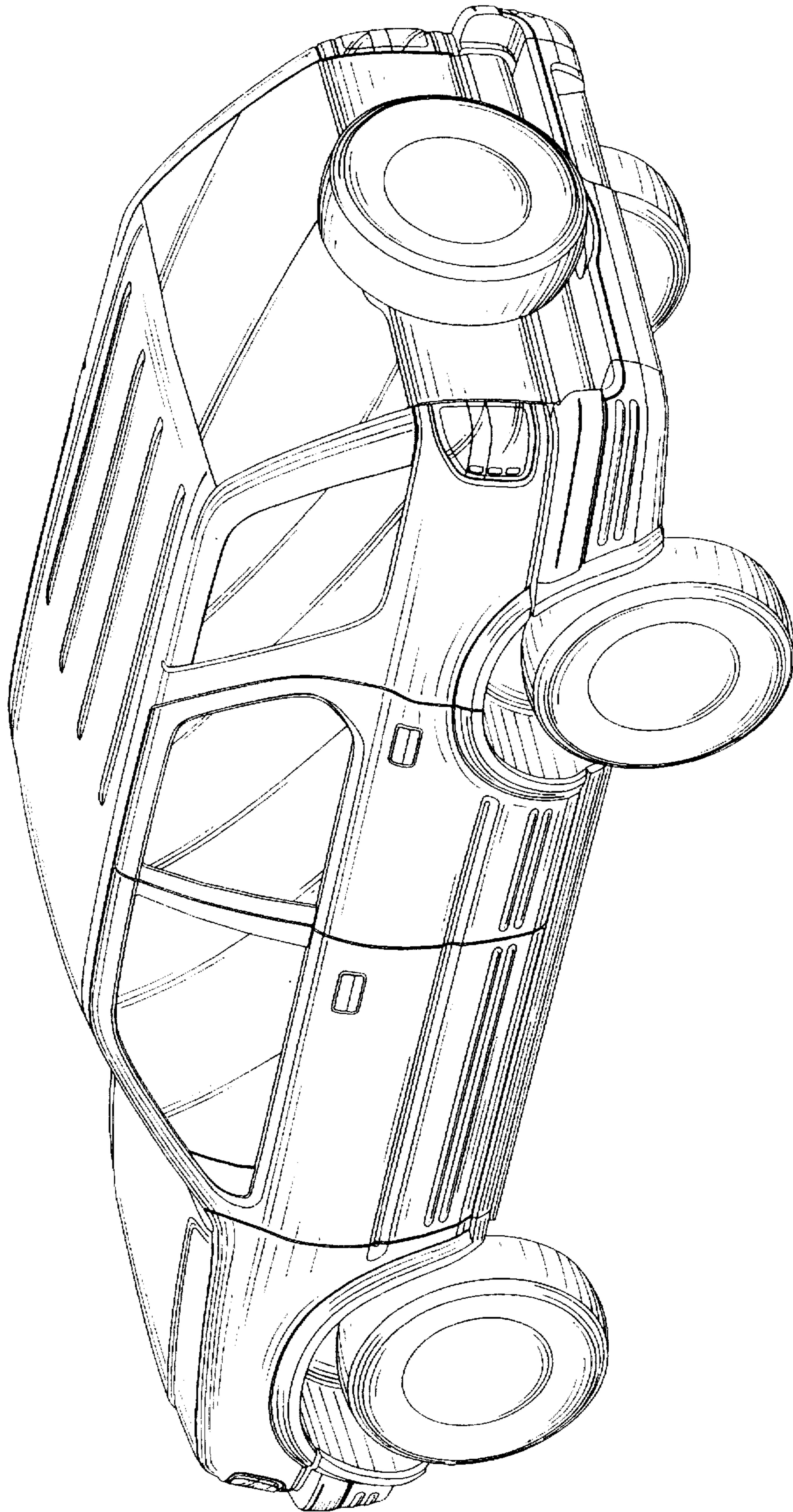


FIG. 3

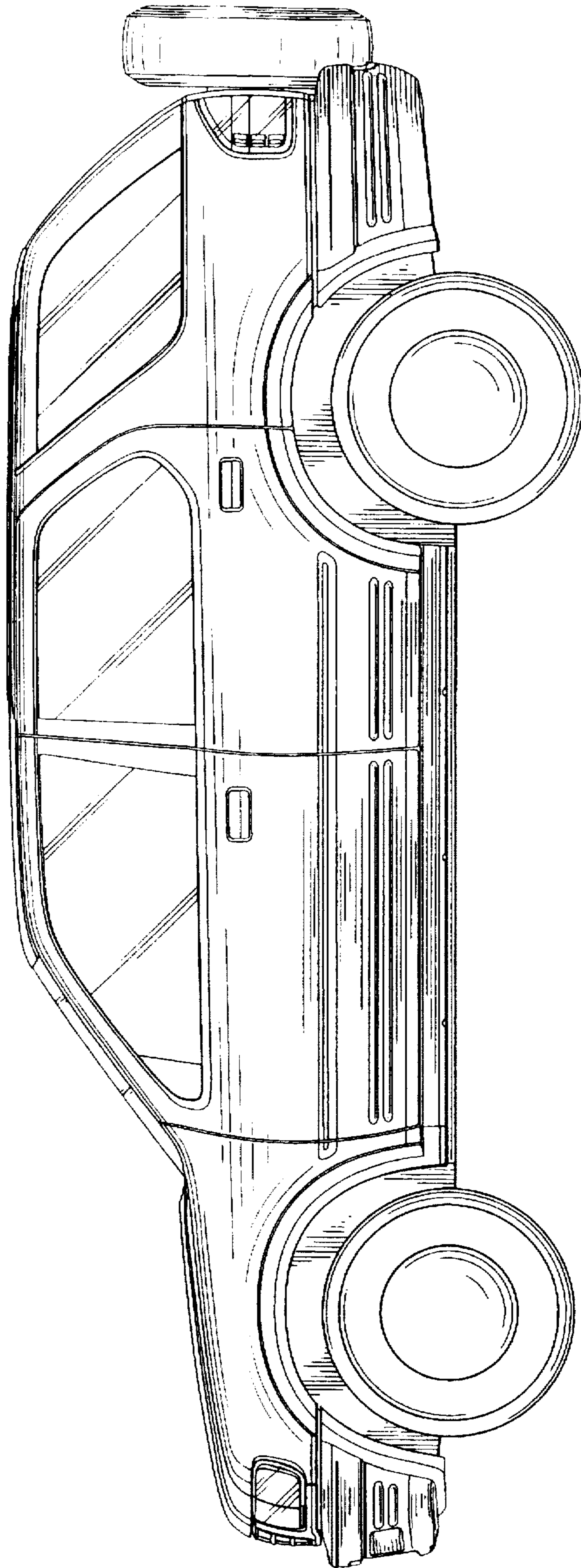


FIG. 4

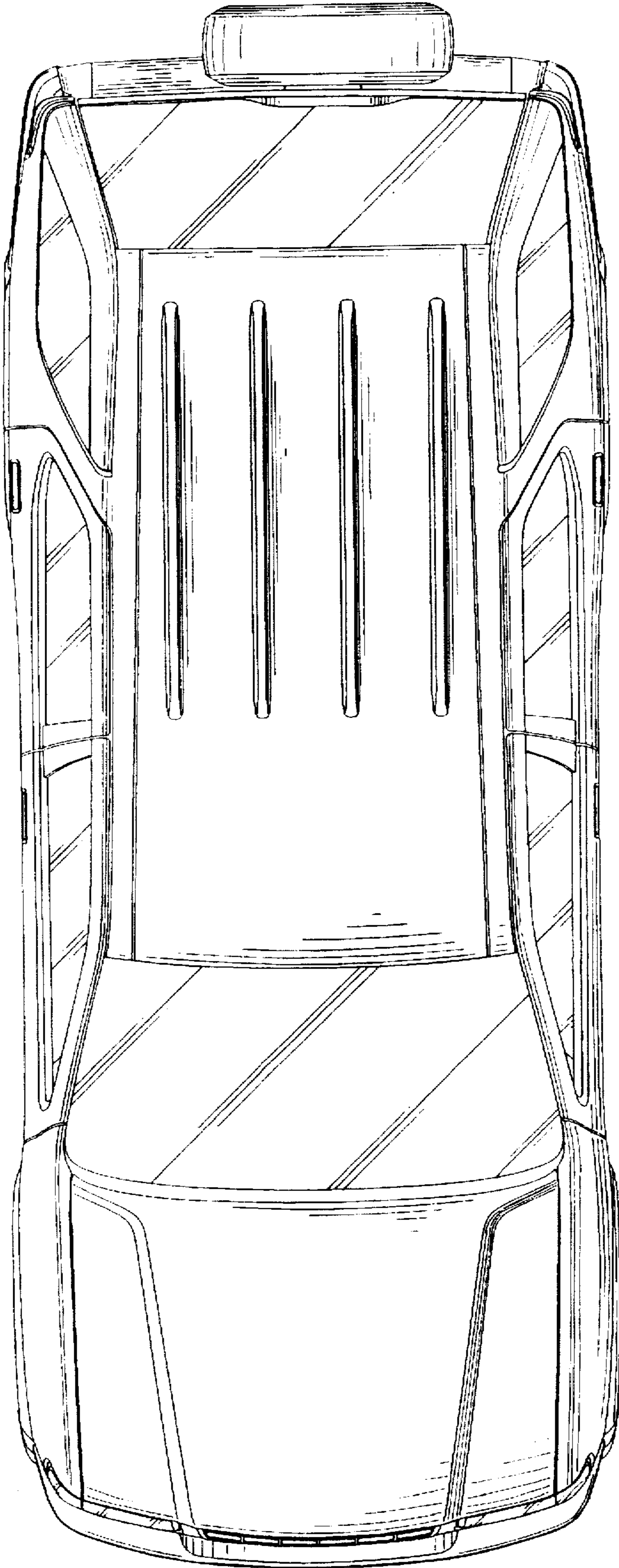


FIG. 5

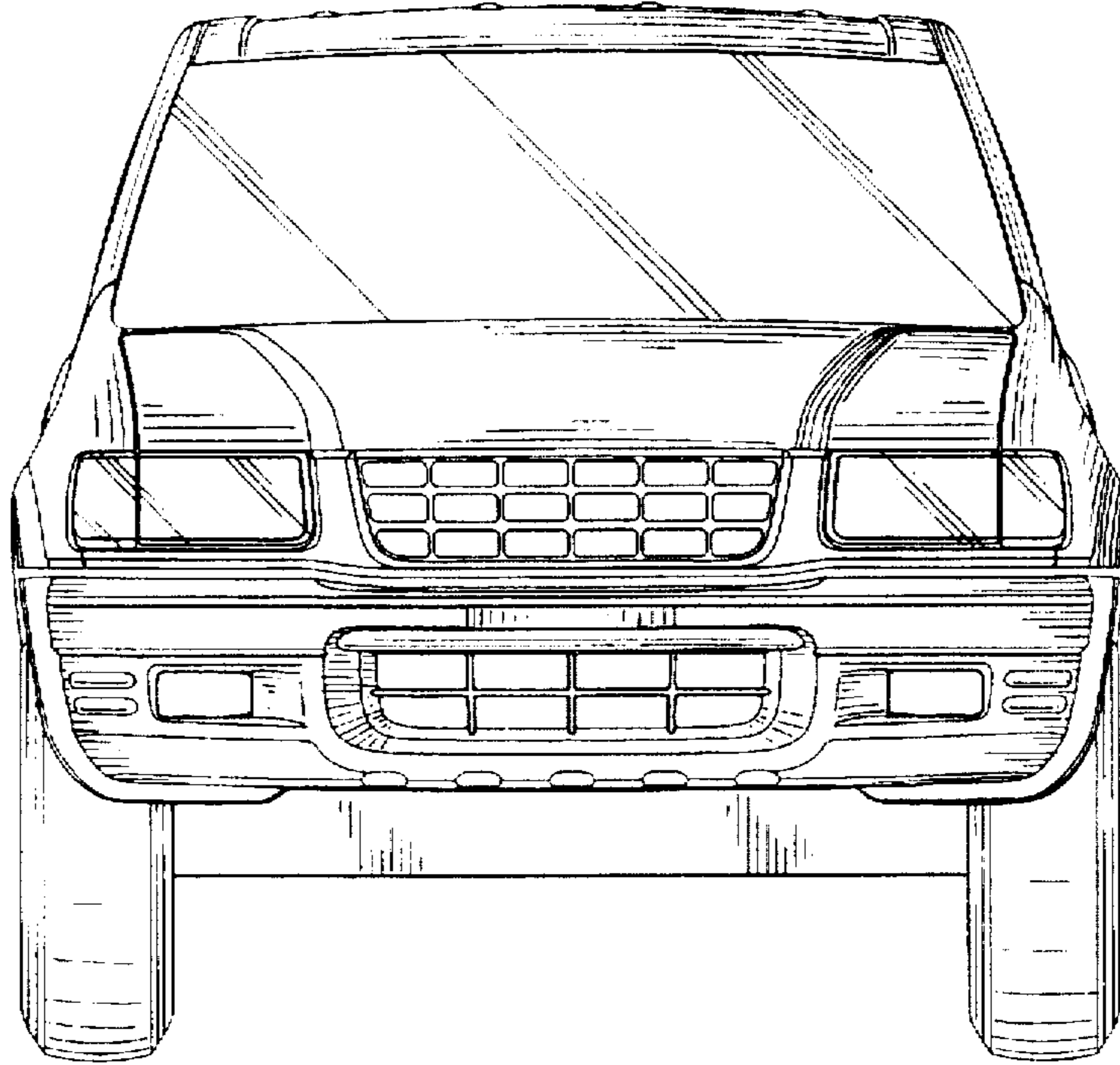


FIG. 6

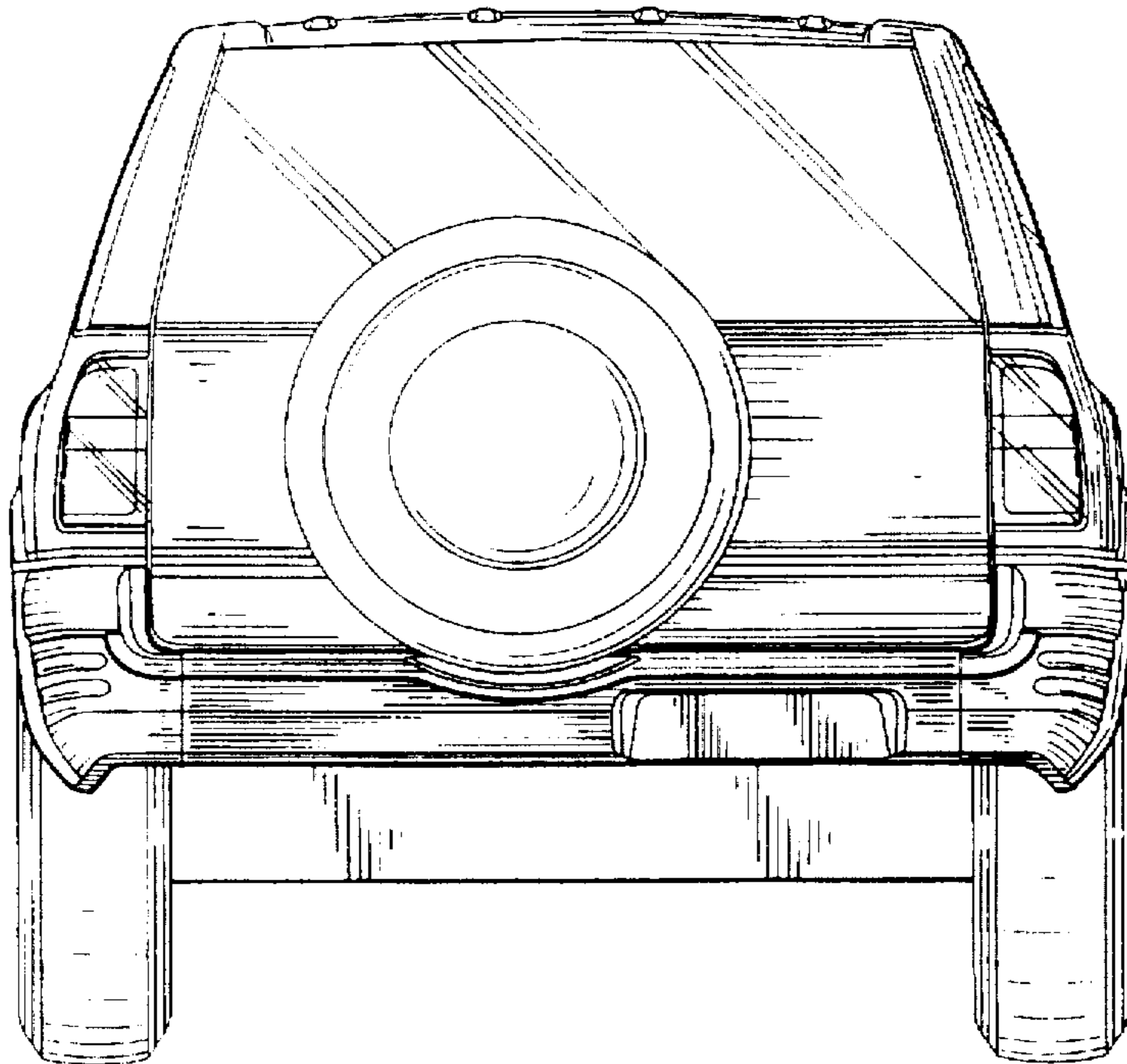


FIG. 7

