



US00D396185S

United States Patent [19]
Fraser

[11] **Patent Number:** **Des. 396,185**
[45] **Date of Patent:** ****Jul. 21, 1998**

[54] **UMBRELLA CLAMP**

[76] **Inventor:** **Alan T. Fraser**, RR#(Dunmore Rd.),
Antigonish, Nova Scotia, Canada,
B2G-2L4

[**] **Term:** **14 Years**

[21] **Appl. No.:** **51,476**

[22] **Filed:** **Mar. 11, 1996**

[51] **LOC (6) Cl.** **08-08**

[52] **U.S. Cl.** **D8/396; D3/10**

[58] **Field of Search** **D3/10; D8/354,**
D8/394, 396; 135/16, 27, 909; 248/230,
231.41, 231.71, 514, 515, 516, 517, 534,
539

[56] **References Cited**

U.S. PATENT DOCUMENTS

263,606 8/1882 Smith 248/514

D. 364,555 11/1995 Neiert D8/396
589,261 8/1897 Koch et al. 248/514
2,055,842 9/1936 Haislip 248/317
2,461,256 2/1949 Black 248/514 X
5,529,272 6/1996 Baublitz, Sr. 248/231.71

Primary Examiner—Antoine Duval Davis

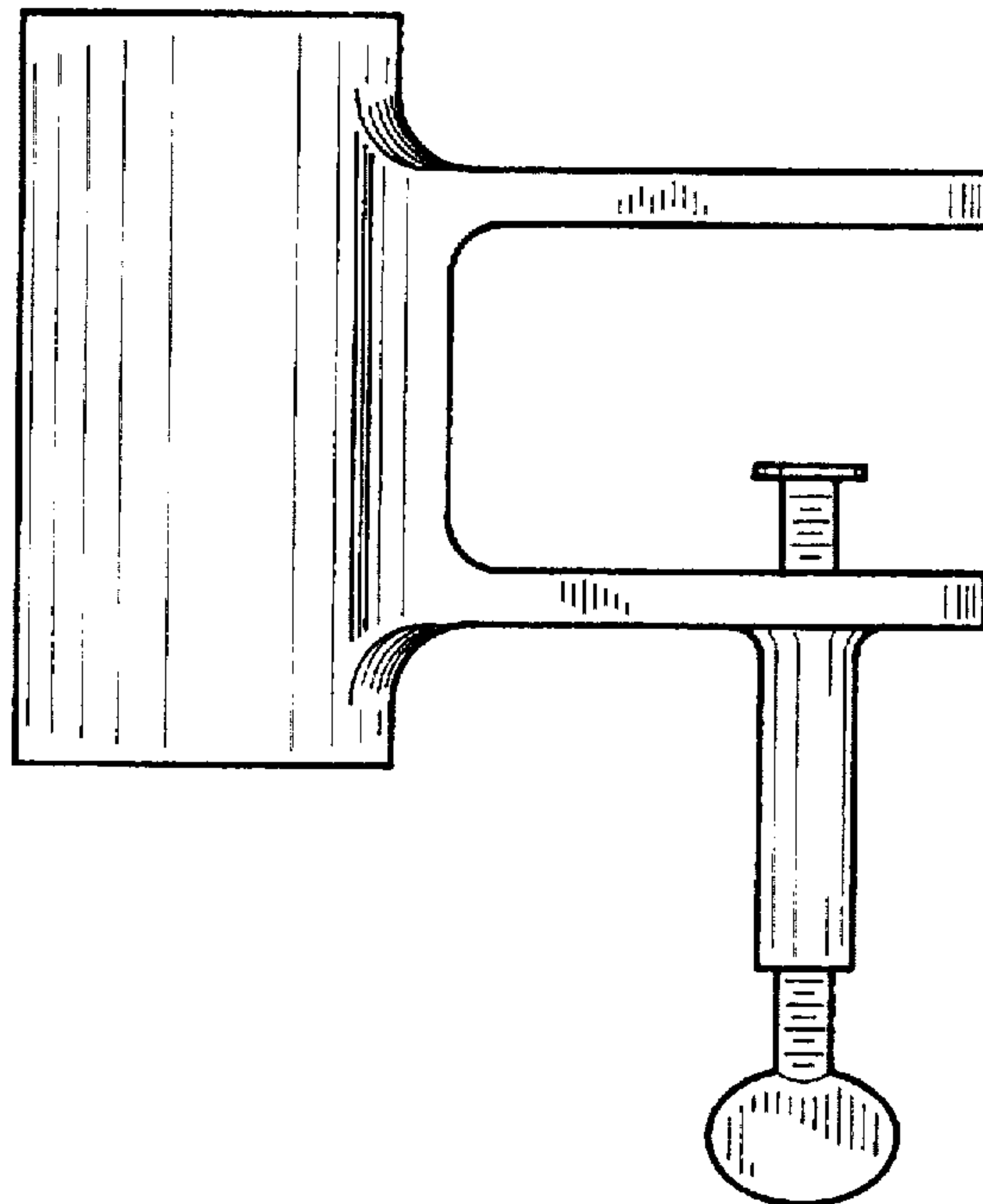
[57] **CLAIM**

The ornamental design for an umbrella clamp, as shown and described.

DESCRIPTION

FIG. 1 is a side view of the umbrella clamp;
FIG. 2 is the front view of the umbrella clamp; and,
FIG. 3 is the bottom view of the umbrella clamp.

1 Claim, 1 Drawing Sheet



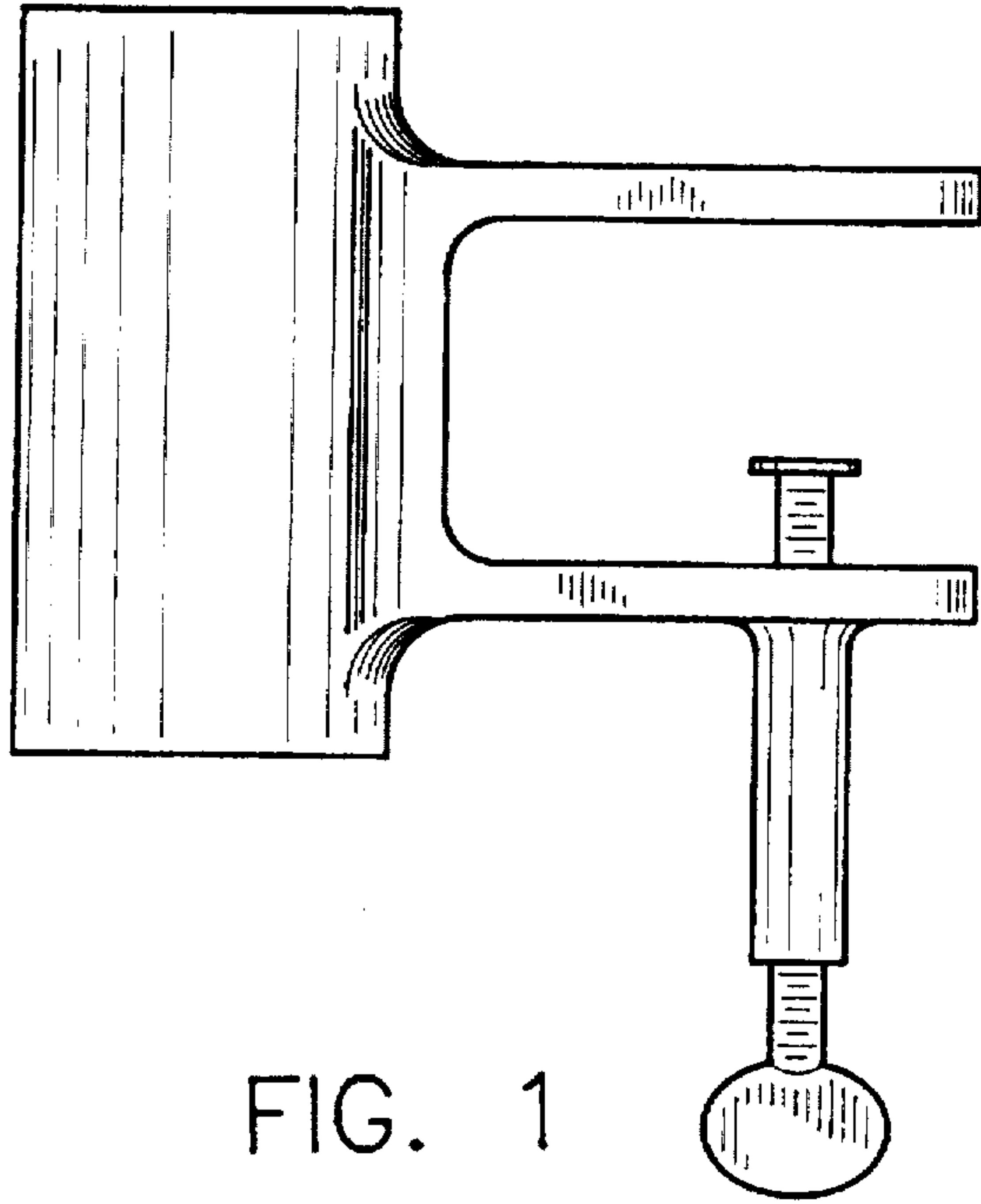


FIG. 1

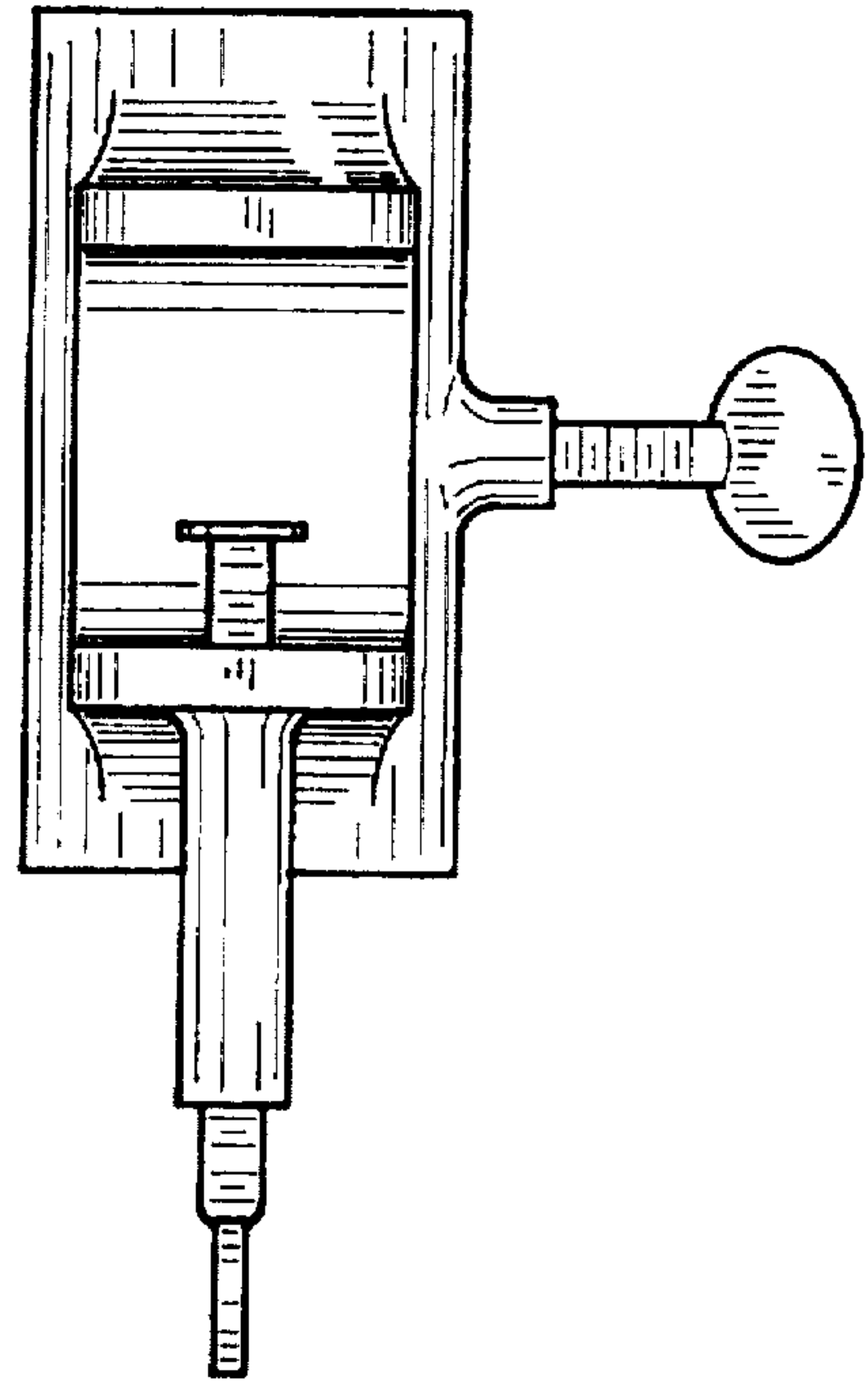


FIG. 2

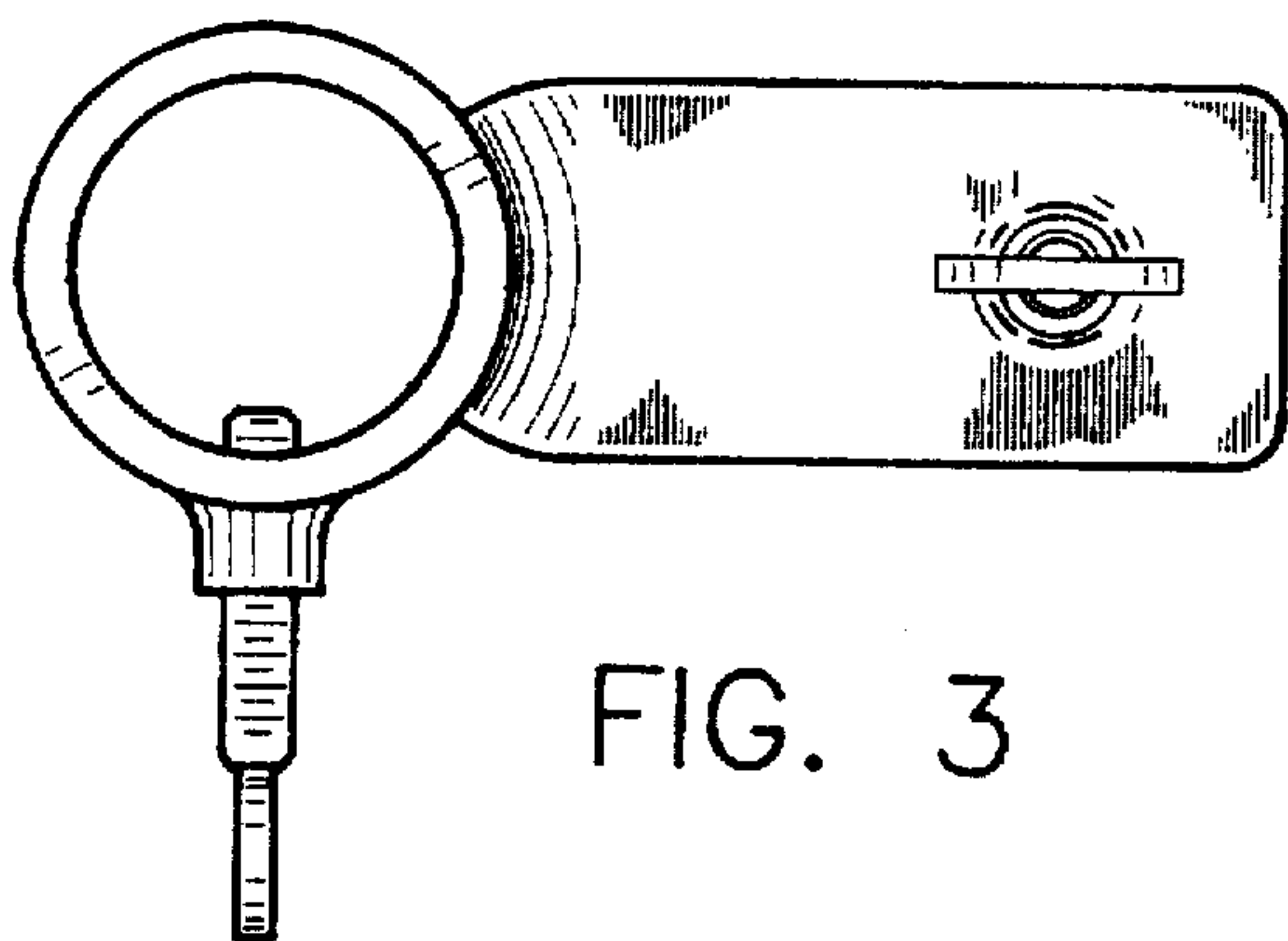


FIG. 3