



US00D396183S

United States Patent [19]
Poulin

[11] **Patent Number:** **Des. 396,183**
[45] **Date of Patent:** ****Jul. 21, 1998**

[54] **CURTAIN ROD**

[76] **Inventor:** **Robert J. Poulin**, 20 Clarke Ct.,
Rochester, Mass. 02770

[**] **Term:** **14 Years**

[21] **Appl. No.:** **68,847**

[22] **Filed:** **Apr. 1, 1997**

Related U.S. Application Data

[62] Division of Ser. No. 54,019, May 6, 1996, Pat. No. Des. 385,178.

[51] **LOC (6) Cl.** **08-05**

[52] **U.S. Cl.** **D8/376**

[58] **Field of Search** D8/376, 378; D11/181;
160/19, 38-39; 211/105.3; 248/265

[56] **References Cited**

U.S. PATENT DOCUMENTS

D. 203,392 1/1966 Dahlhaus D8/376 X
D. 224,081 7/1972 Hadlow D8/378 X

Primary Examiner—Holly Baynham
Attorney, Agent, or Firm—Robert J. Doherty

[57] **CLAIM**

The ornamental design for a curtain rod, as shown and described.

DESCRIPTION

FIG. 1 is a perspective showing my new design for a curtain rod;

FIG. 2 is a front perspective view thereof on an enlarged scale with the central rod broken to illustrate variable length between the finial portions thereof;

FIG. 3 is a front elevational view of FIG. 2, the rear elevational view being identical thereto;

FIG. 4 is a top view of FIG. 2, the bottom view being identical thereto;

FIG. 5 is a right side elevational view of FIG. 2, the left side elevational view being identical thereto;

FIG. 6 is a side perspective view of the finial portion removed from the rod;

FIG. 7 is a front elevational view of FIG. 6 the rear elevational view being the mirror image thereof;

FIG. 8 is a top elevational view of FIG. 6, the bottom elevational view being the mirror image thereof;

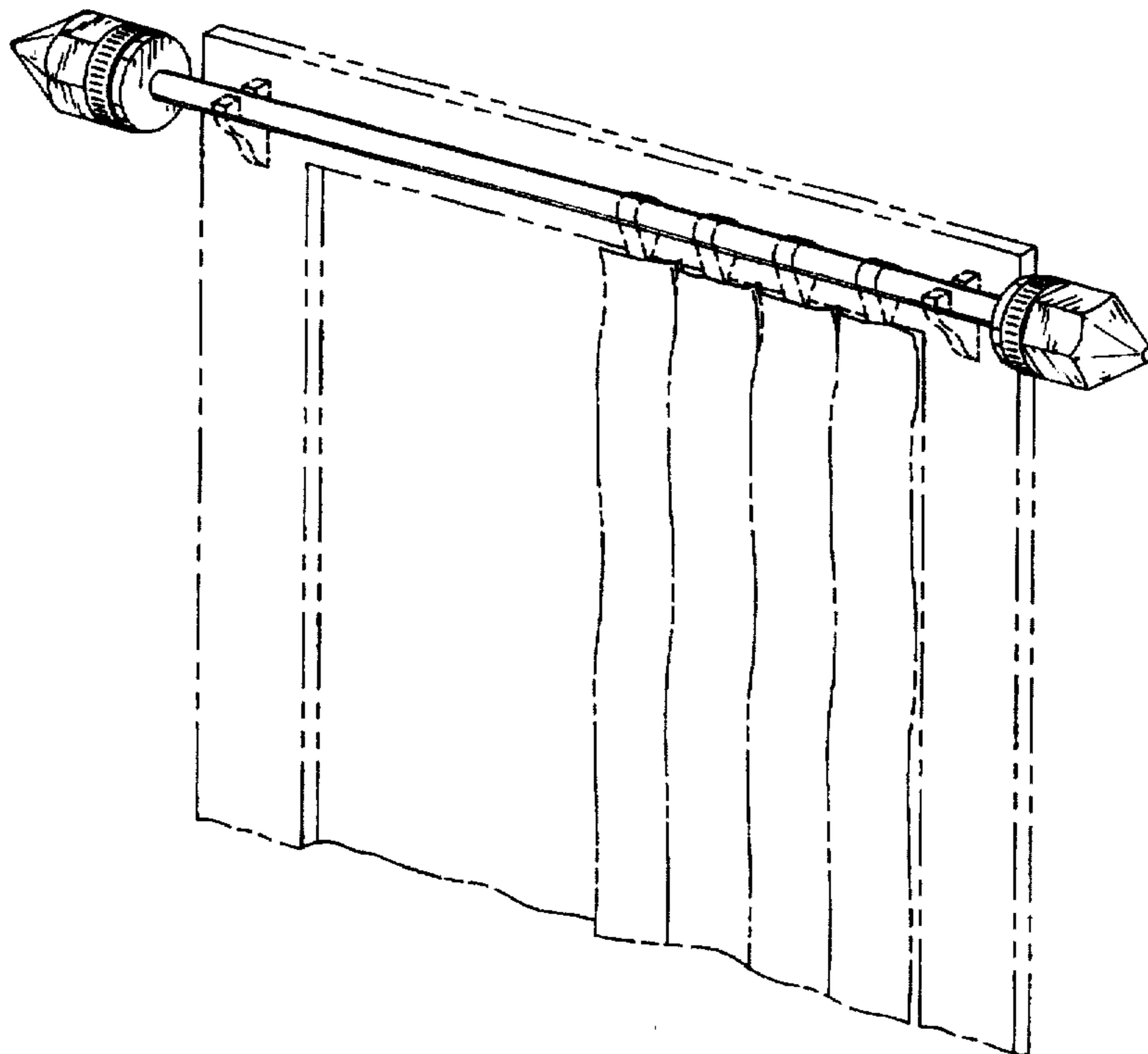
FIG. 9 is a right side elevational view of FIG. 6; and,

FIG. 10 is a side elevational view of FIG. 6.

The finial portion of the curtain rod has been shown detached for clarity of illustration.

The broken line showing of a frame, support arms and curtains in FIG. 1 is for illustrative purposes and forms no part of the claimed design.

1 Claim, 2 Drawing Sheets



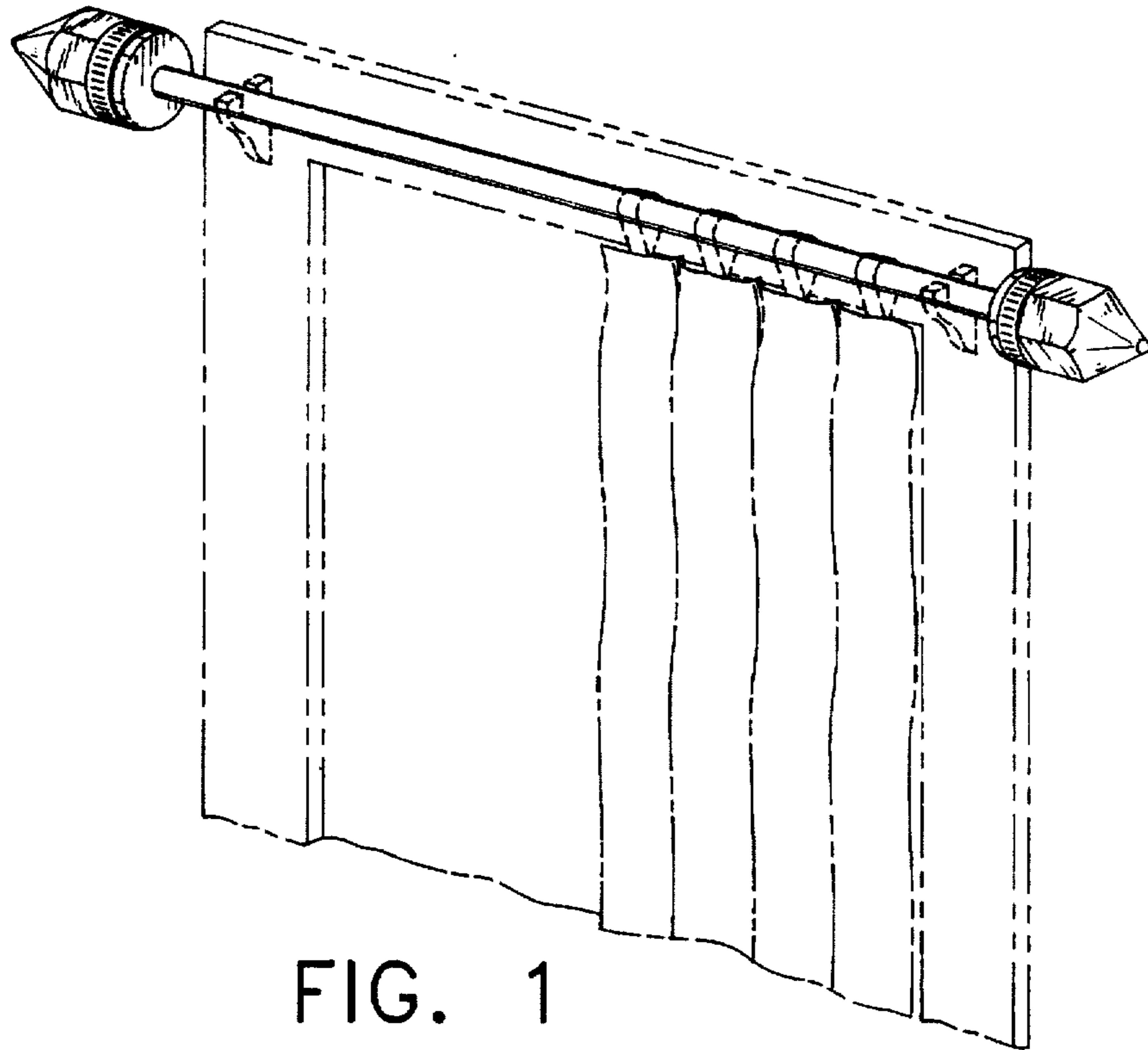


FIG. 1

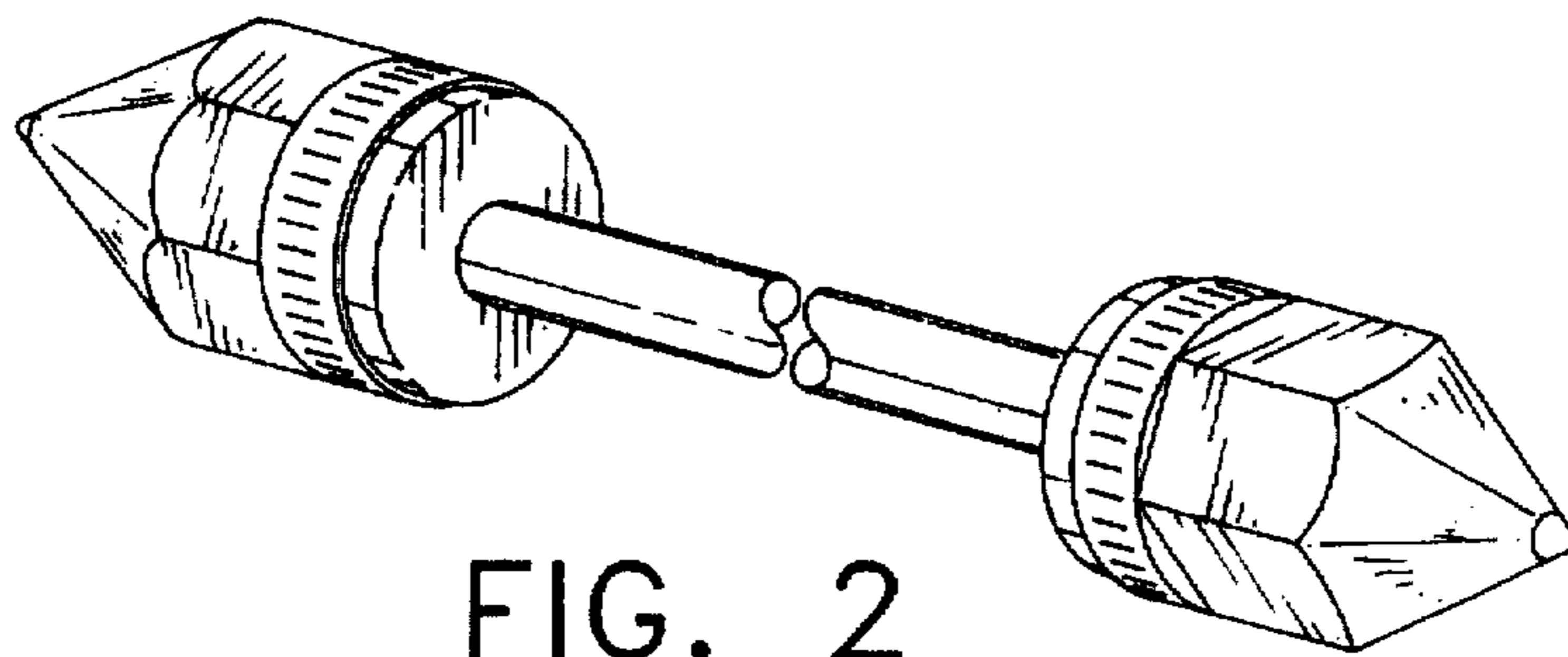


FIG. 2

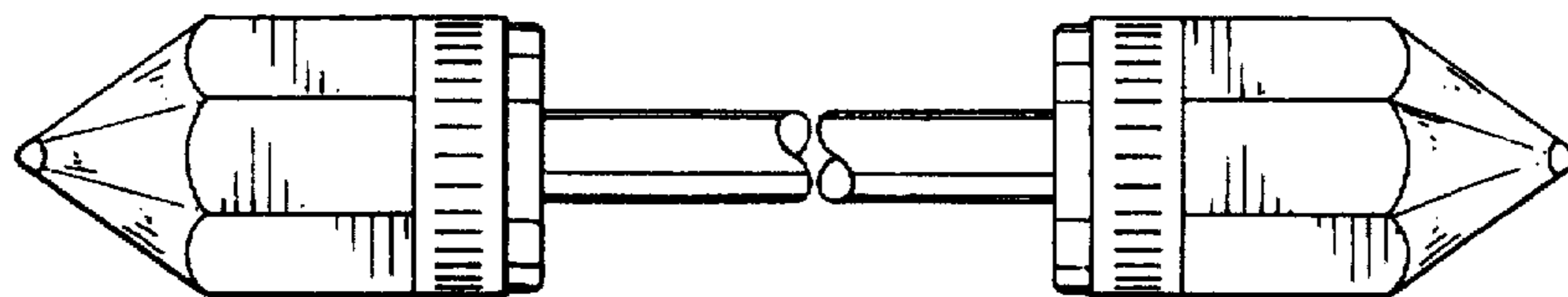


FIG. 3

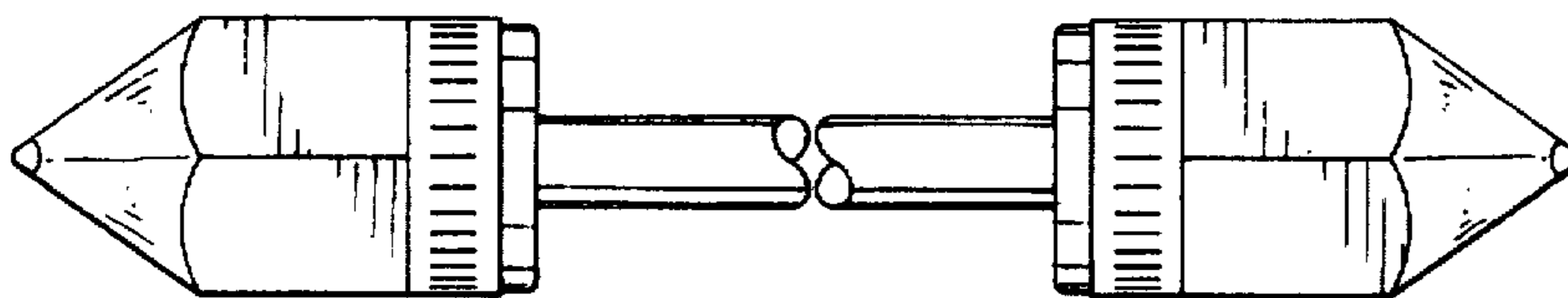


FIG. 4

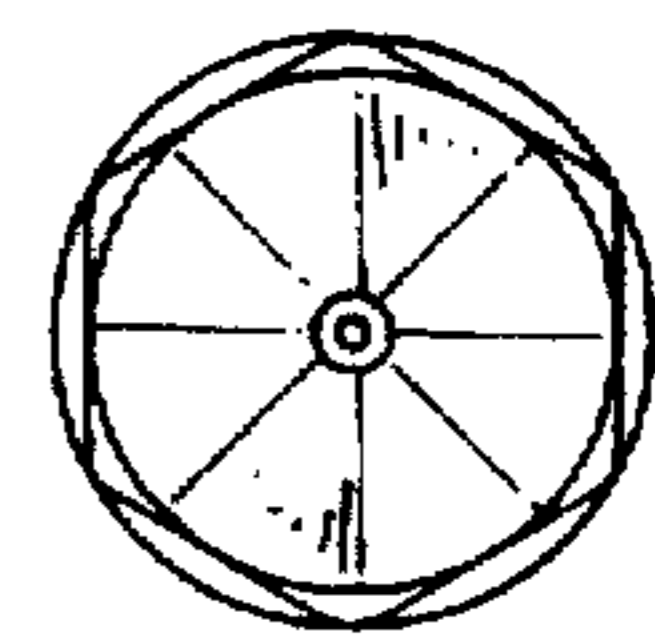


FIG. 5

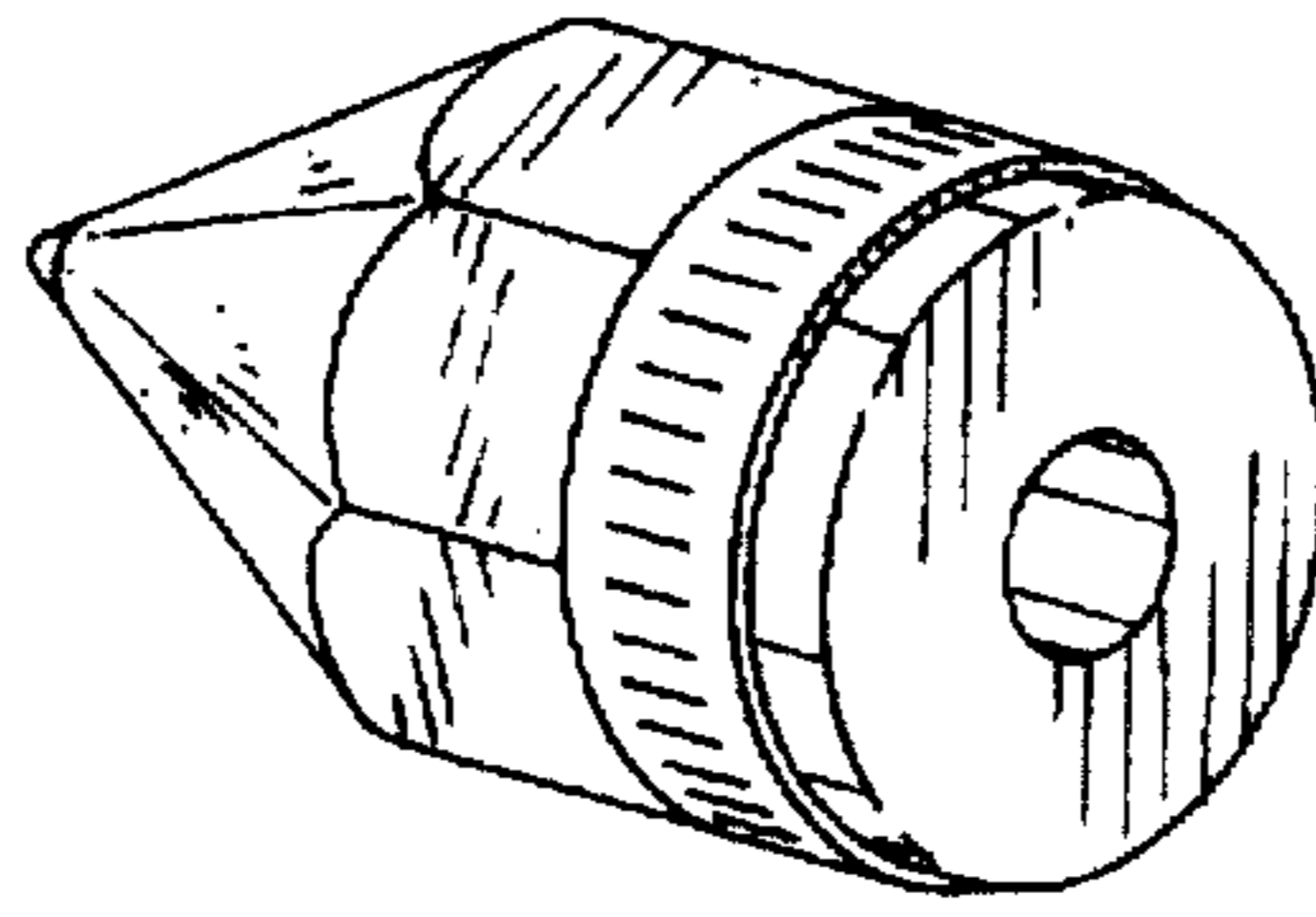


FIG. 6

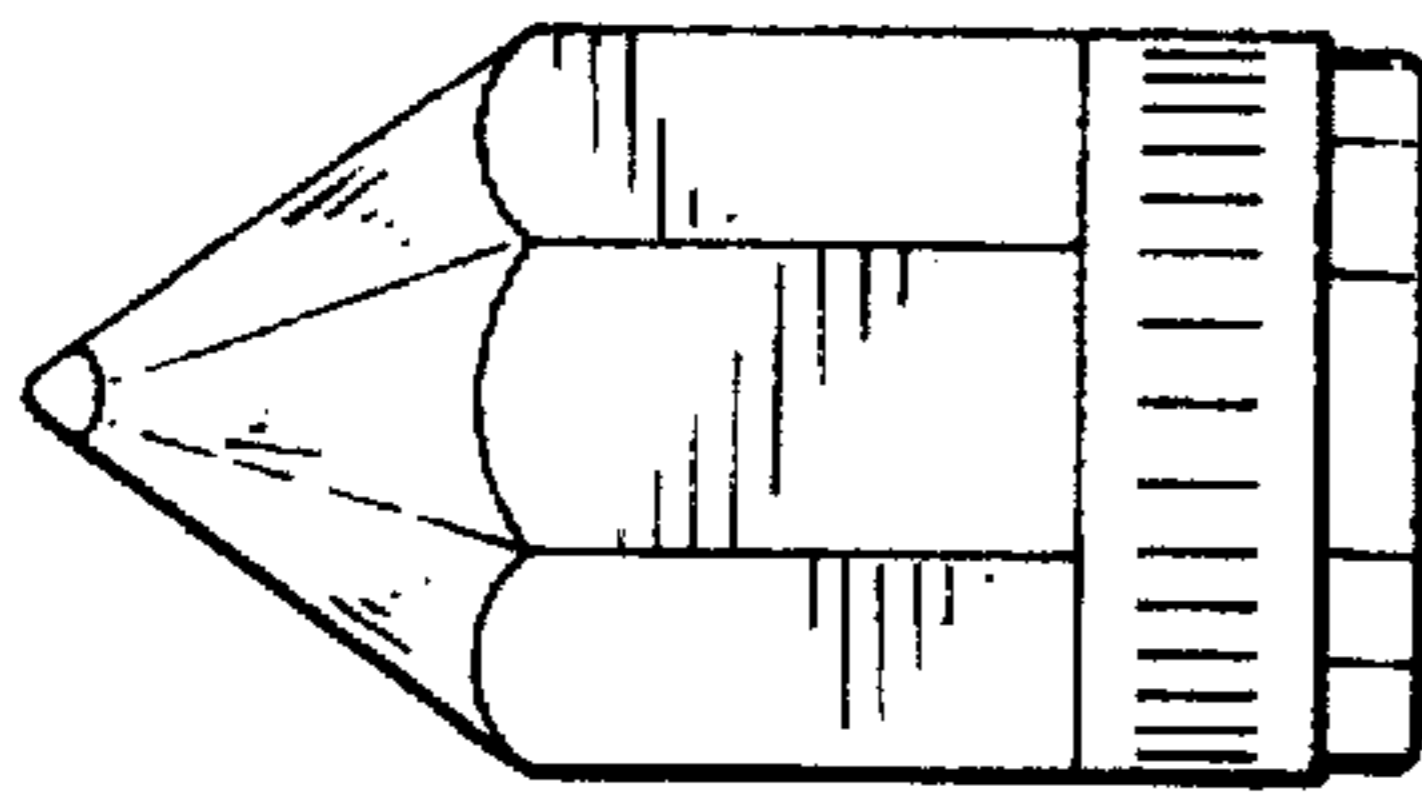


FIG. 7

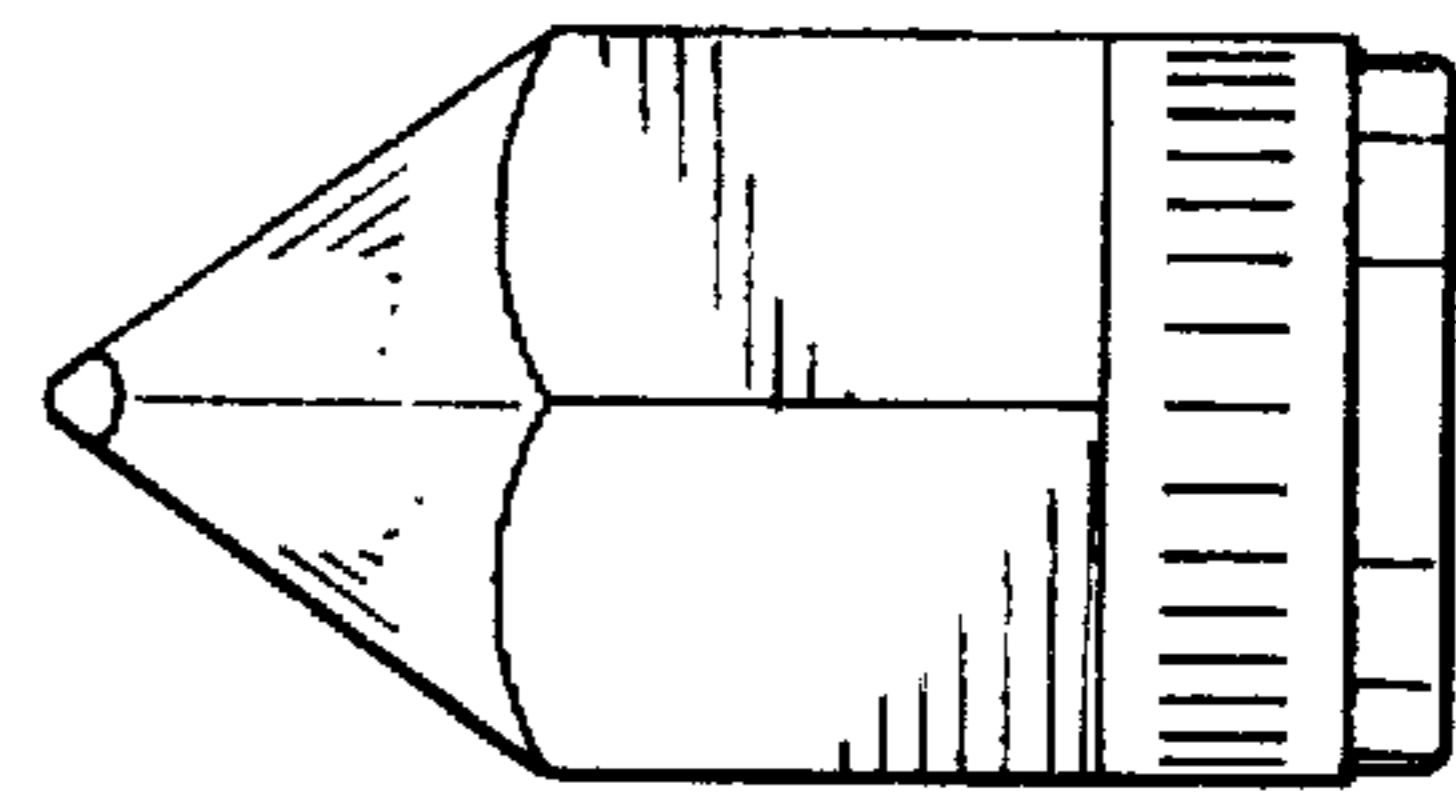


FIG. 8

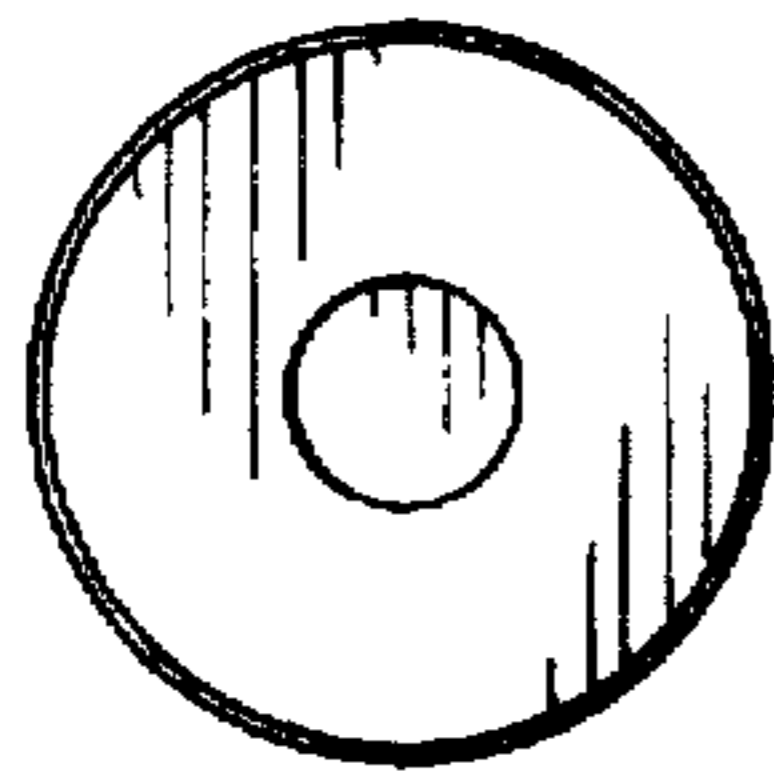


FIG. 9

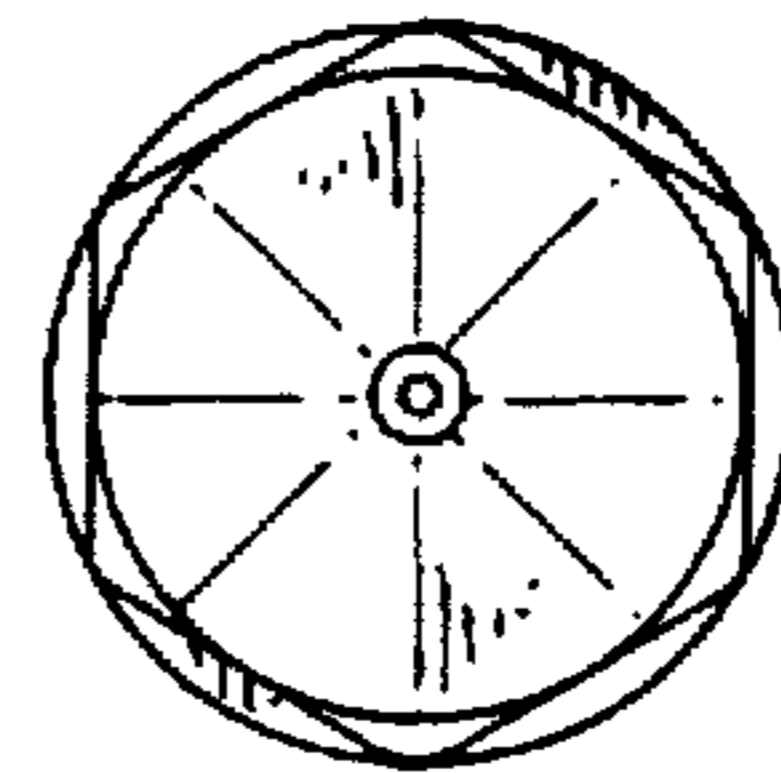


FIG. 10