



US00D396182S

United States Patent [19]

Hoshino et al.

[11] Patent Number: Des. 396,182

[45] Date of Patent: **Jul. 21, 1998

[54] CASTER FOOT

4,827,564 5/1989 Brown 16/18 R

[75] Inventors: **Kiyoshi Hoshino**, Chesterfield; **Stuart V. Holsten**, O'Fallon, both of Mo.

Primary Examiner—Holly Baynham
Attorney, Agent, or Firm—Arnold, White & Durkee

[73] Assignee: **Emerson Special Products Division**

[57] **CLAIM**

[**] Term: **14 Years**

The ornamental design for a caster foot, as shown.

[21] Appl. No.: **71,806**

DESCRIPTION

[22] Filed: **Jun. 6, 1997**

FIG. 1 is an isometric view of a caster foot showing our new design;

[51] LOC (6) Cl. **08-05**

[52] U.S. Cl. **D8/375**

[58] Field of Search D8/375; 16/30,
16/18 CG, 18 R, 45

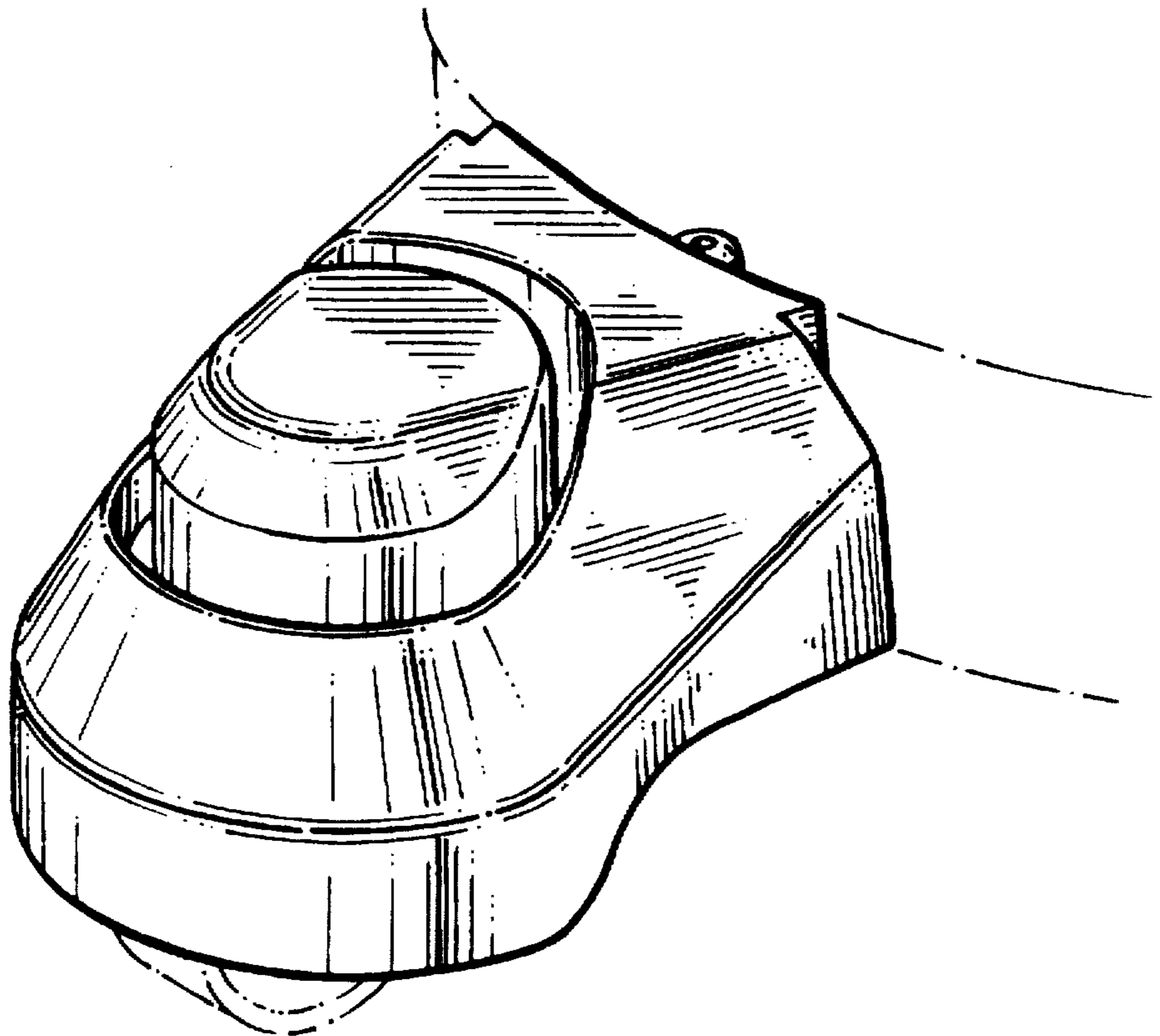
FIG. 2 is a side view of the caster foot shown in FIG. 1;
FIG. 3 is a front view of the caster foot shown in FIG. 1;
FIG. 4 is a back view of the caster foot shown in FIG. 1;
FIG. 5 is a top view of the caster foot shown in FIG. 1; and
FIG. 6 is a bottom view of the caster foot shown in FIG. 1.
The broken line showing of a partial wheel and partial structure is for illustrative purposes only and forms no part of the claimed design.

[56] **References Cited**

U.S. PATENT DOCUMENTS

- D. 15,131 7/1884 Schenck D8/375
- D. 313,928 1/1991 Orii D8/375

1 Claim, 2 Drawing Sheets



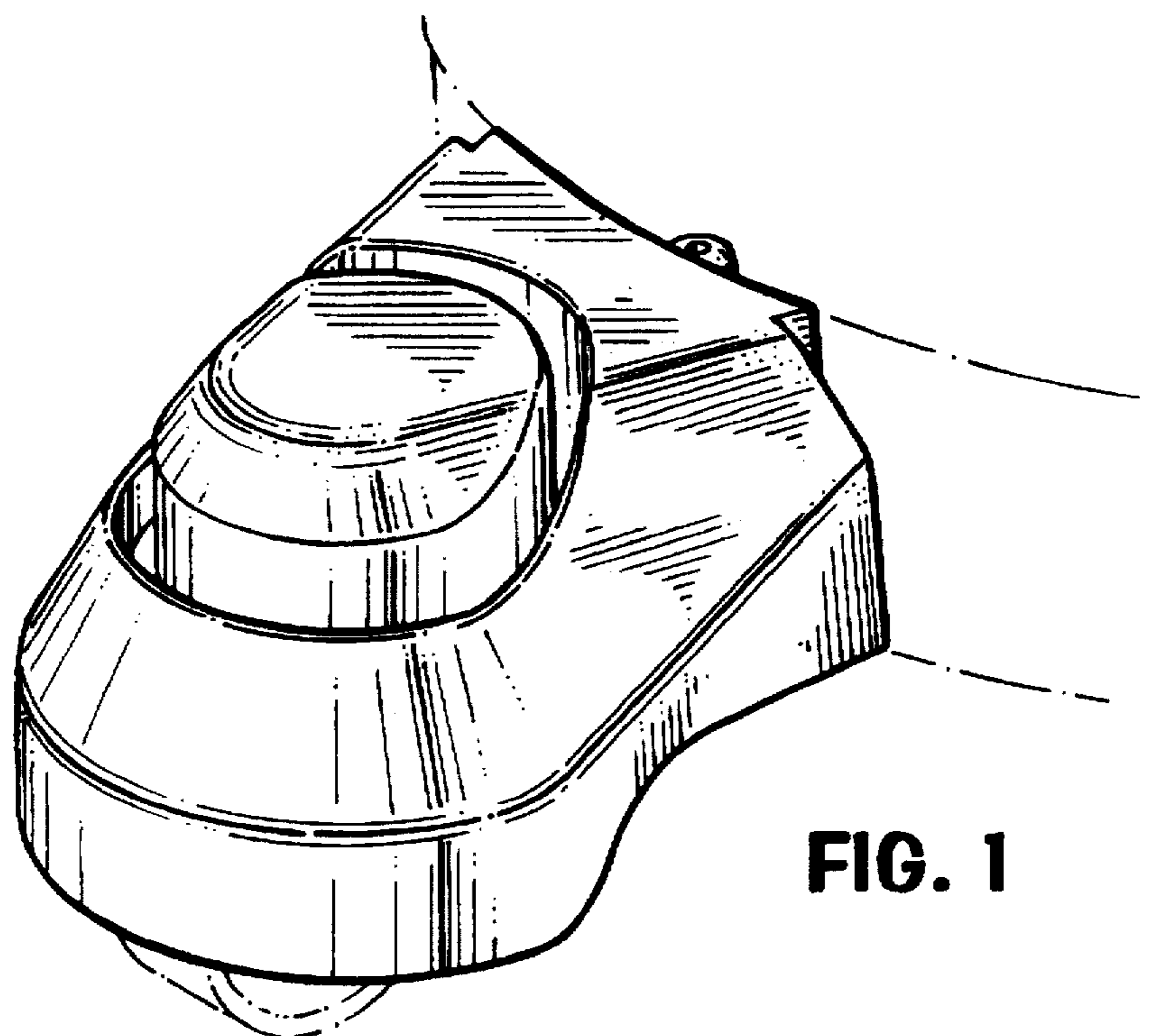


FIG. 1

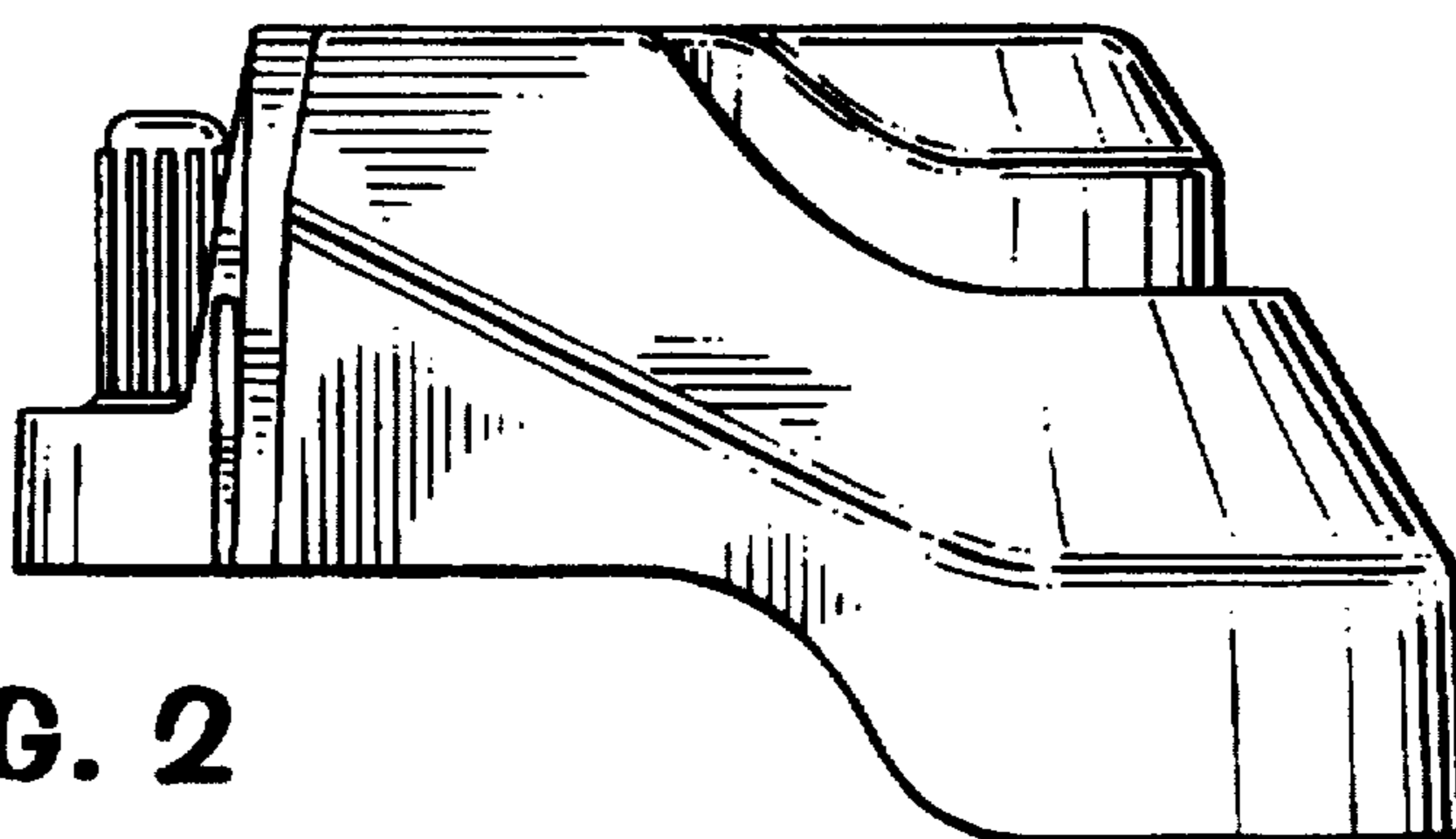


FIG. 2

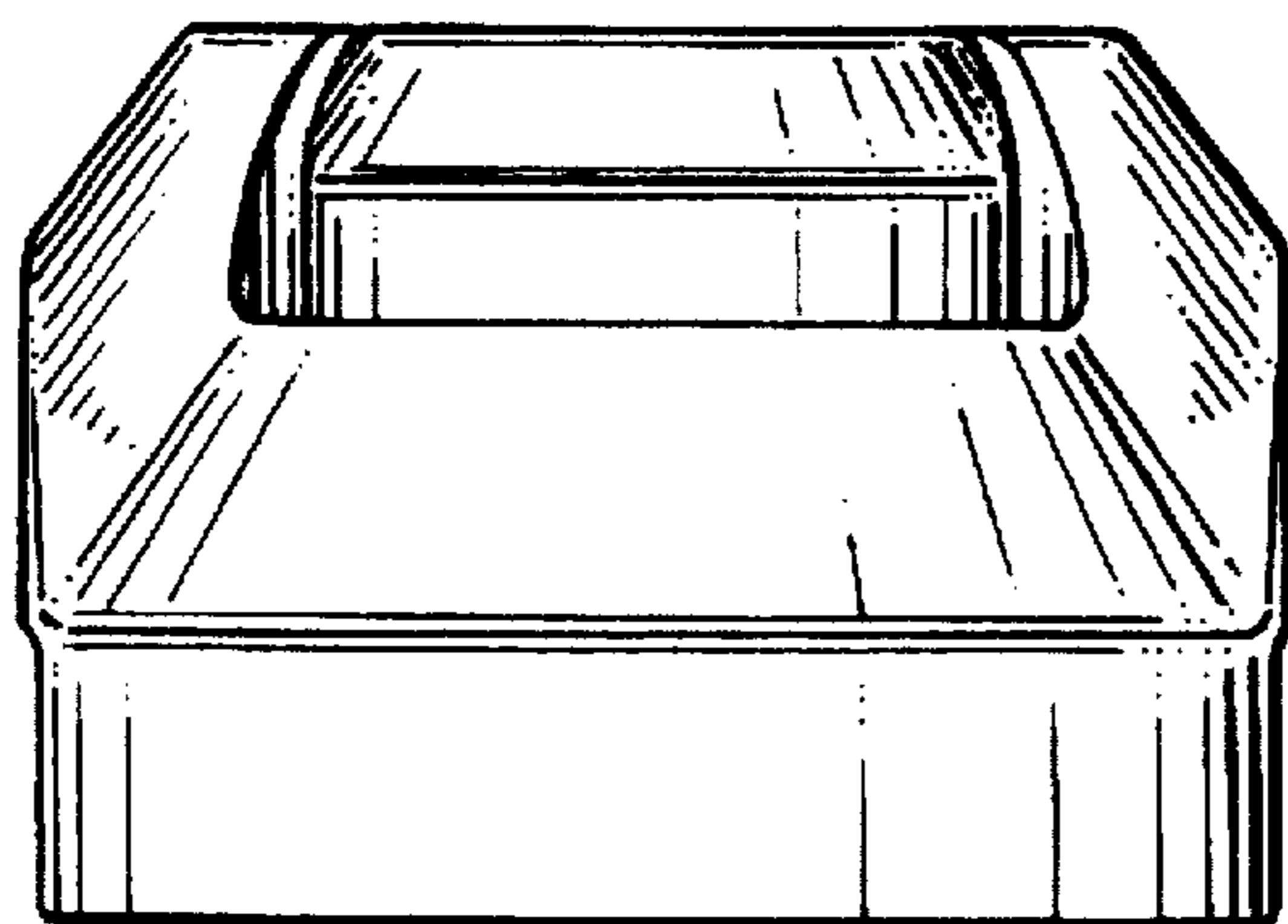


FIG. 3

FIG. 4

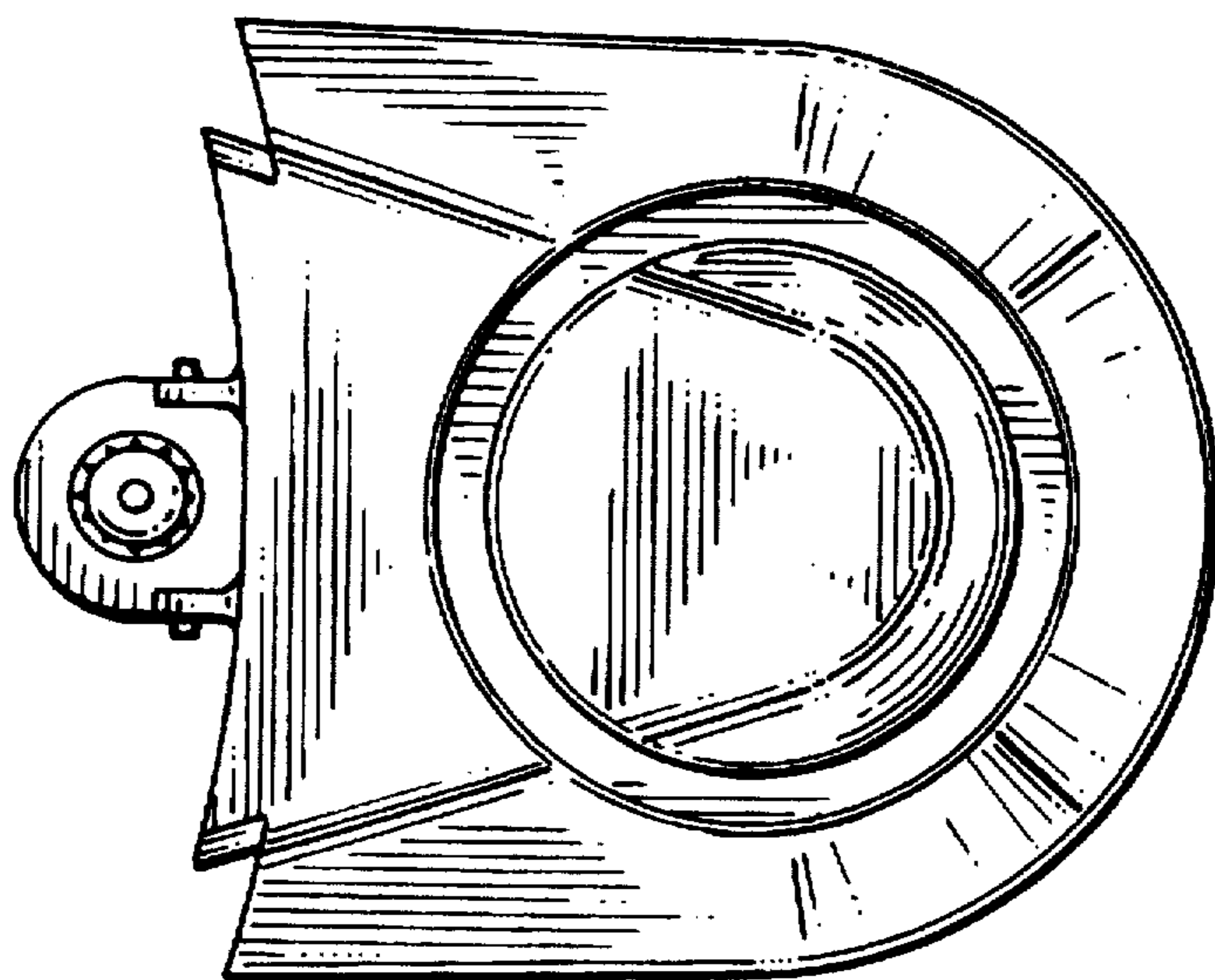
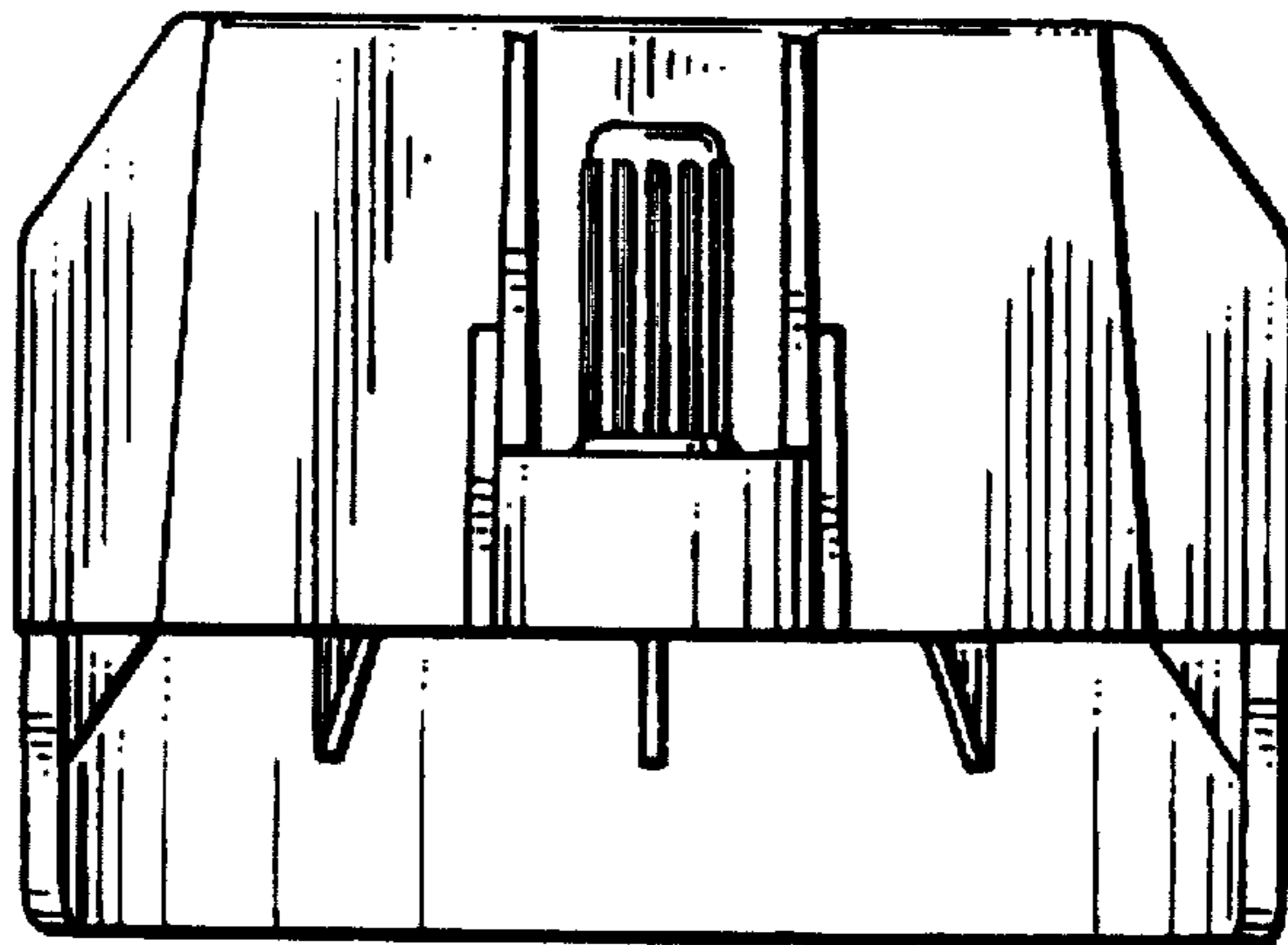


FIG. 5

FIG. 6

