



US00D396178S

**United States Patent** [19]  
**Hattori**

[11] **Patent Number:** **Des. 396,178**  
[45] **Date of Patent:** **\*\*Jul. 21, 1998**

[54] **PNEUMATIC NAILING MACHINE**  
[75] **Inventor:** **Takeo Hattori, Tokyo, Japan**  
[73] **Assignee:** **Max Co., Ltd., Tokyo, Japan**  
[\*\*] **Term:** **14 Years**  
[21] **Appl. No.:** **67,020**  
[22] **Filed:** **Feb. 28, 1997**  
[30] **Foreign Application Priority Data**  
Aug. 30, 1996 [JP] Japan ..... 8-25984  
[51] **LOC (6) Cl.** ..... **08-03**  
[52] **U.S. Cl.** ..... **D8/68; D8/61**  
[58] **Field of Search** ..... **D8/61, 68; 227/2,**  
**227/8, 111-115, 120, 130, 136**

5,180,091 1/1993 Ota ..... 227/8  
5,522,533 6/1996 Mukoyama et al. .... 227/136 X  
5,556,020 9/1996 Hou ..... 227/120 X

*Primary Examiner*—Antoine Duval Davis  
*Attorney, Agent, or Firm*—Morgan, Lewis & Bockius LLP

[57] **CLAIM**

The ornamental design for a pneumatic nailing machine, as shown and described.

**DESCRIPTION**

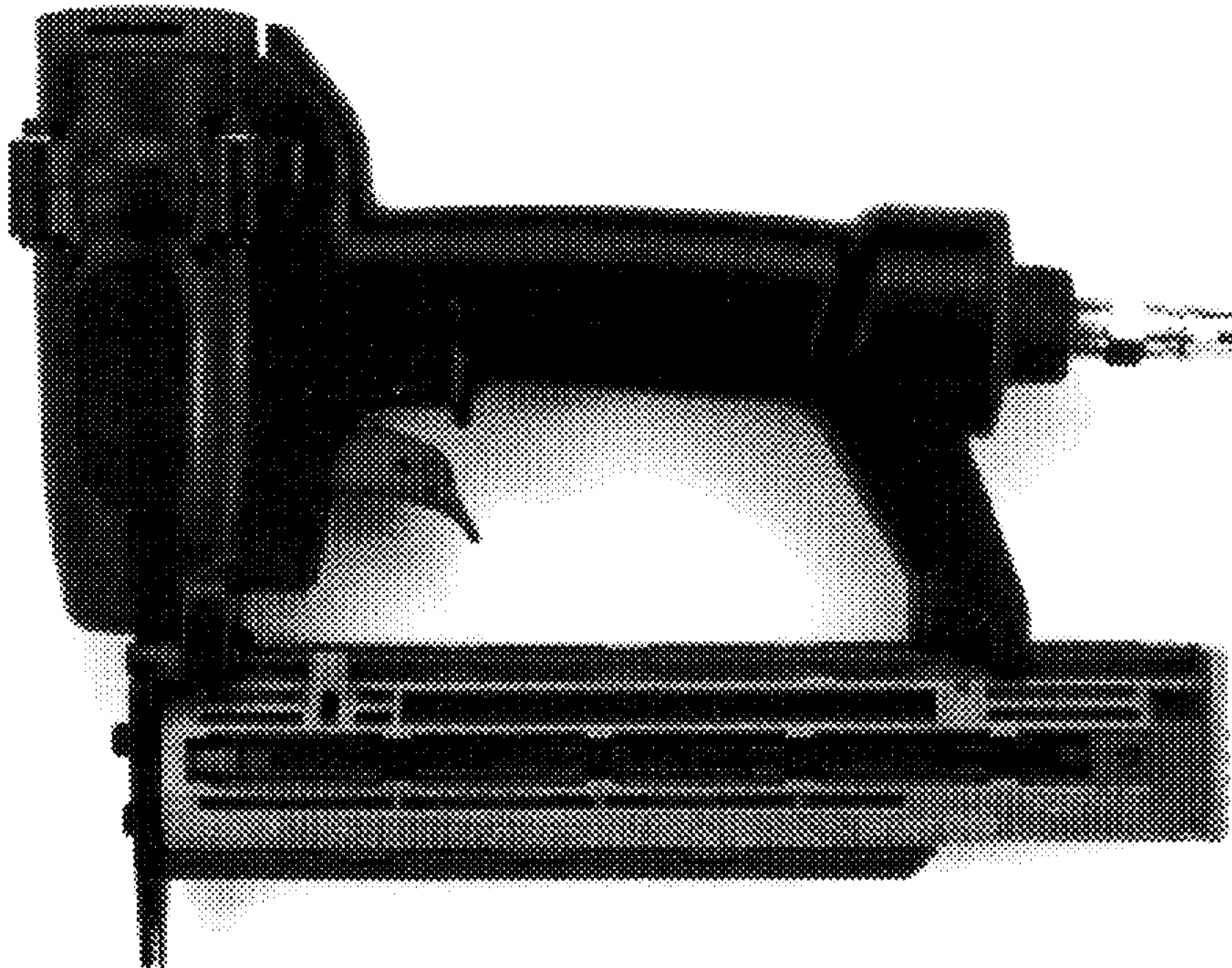
FIG. 1 is a front view of a pneumatic nailing machine showing my new design;  
FIG. 2 is a rear view thereof;  
FIG. 3 is a left side view thereof;  
FIG. 4 is a right side view thereof;  
FIG. 5 is a top plan view thereof; and,  
FIG. 6 is a bottom view thereof.

[56] **References Cited**

**U.S. PATENT DOCUMENTS**

D. 322,204 12/1991 Lee ..... D8/61

**1 Claim, 2 Drawing Sheets**



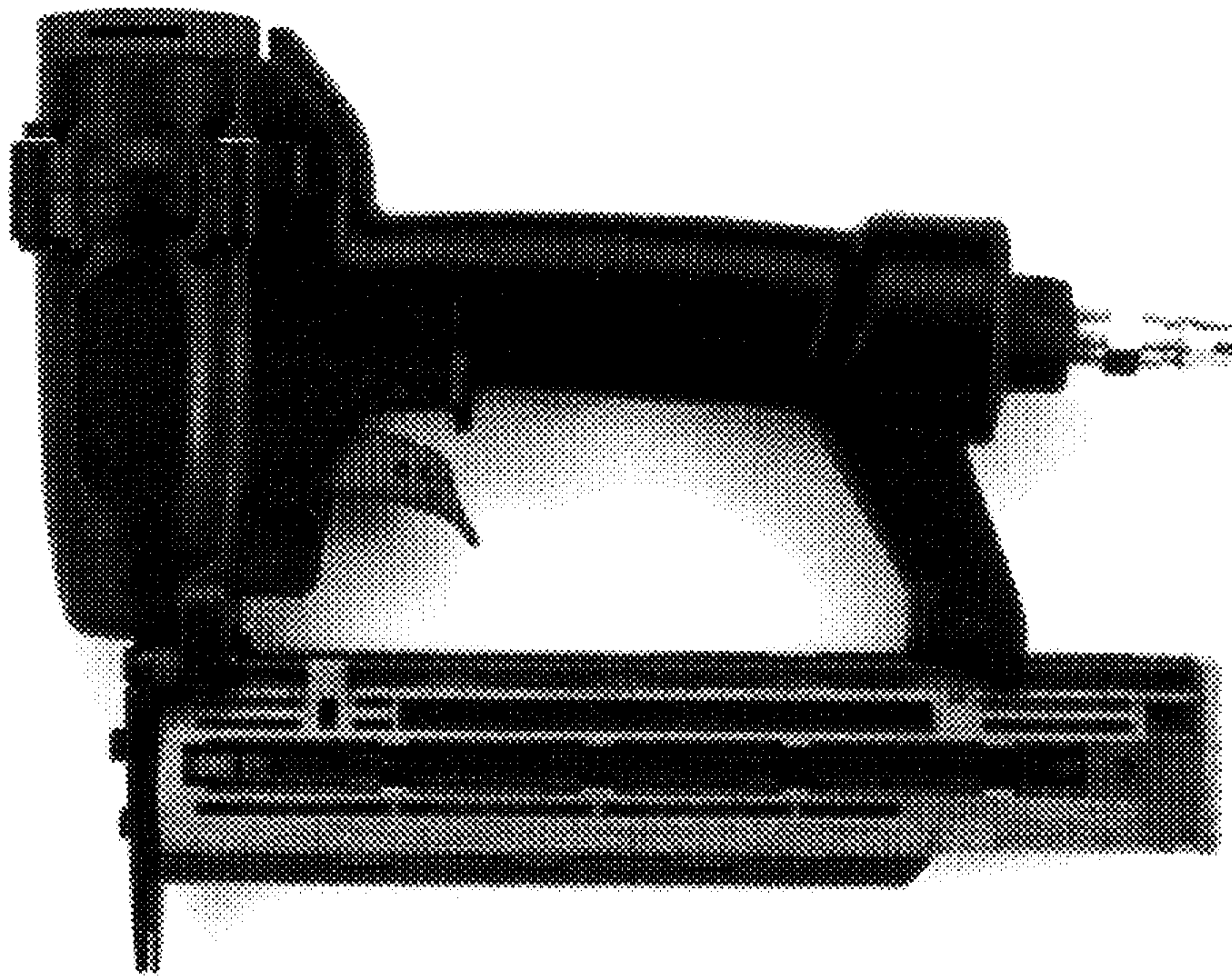


FIG. 1

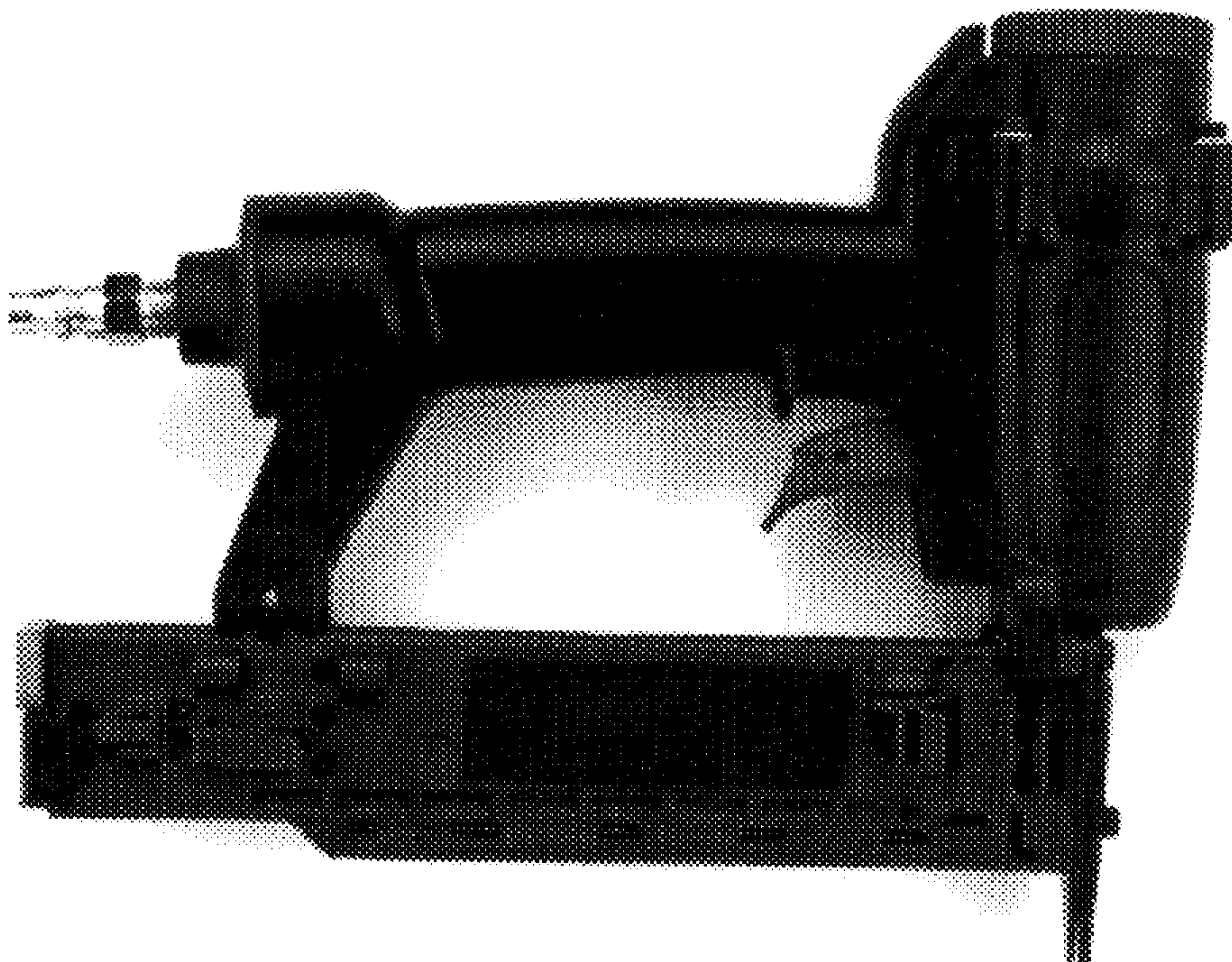


FIG. 2



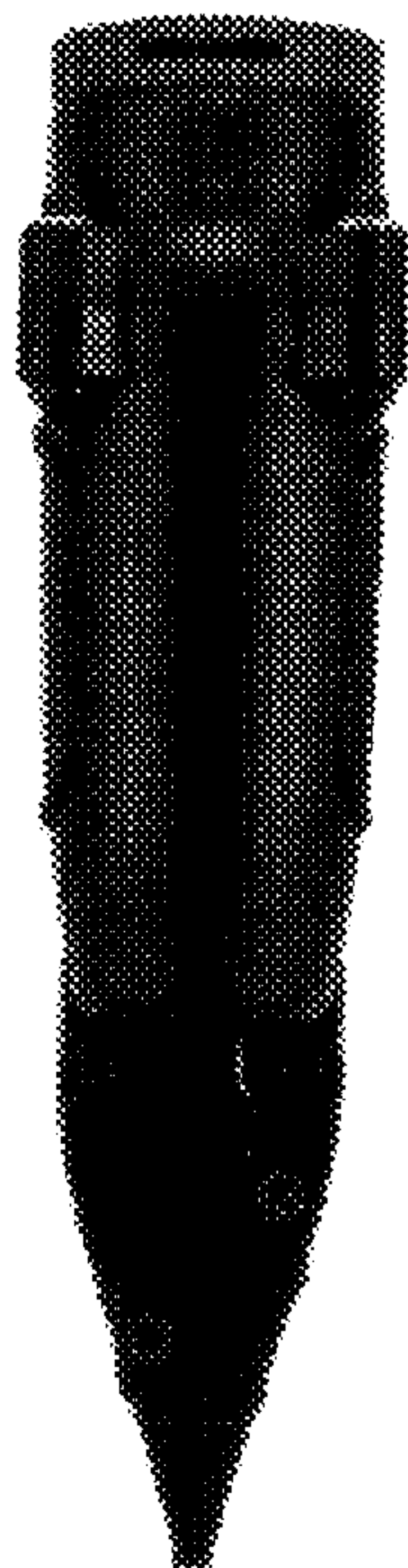


FIG. 3

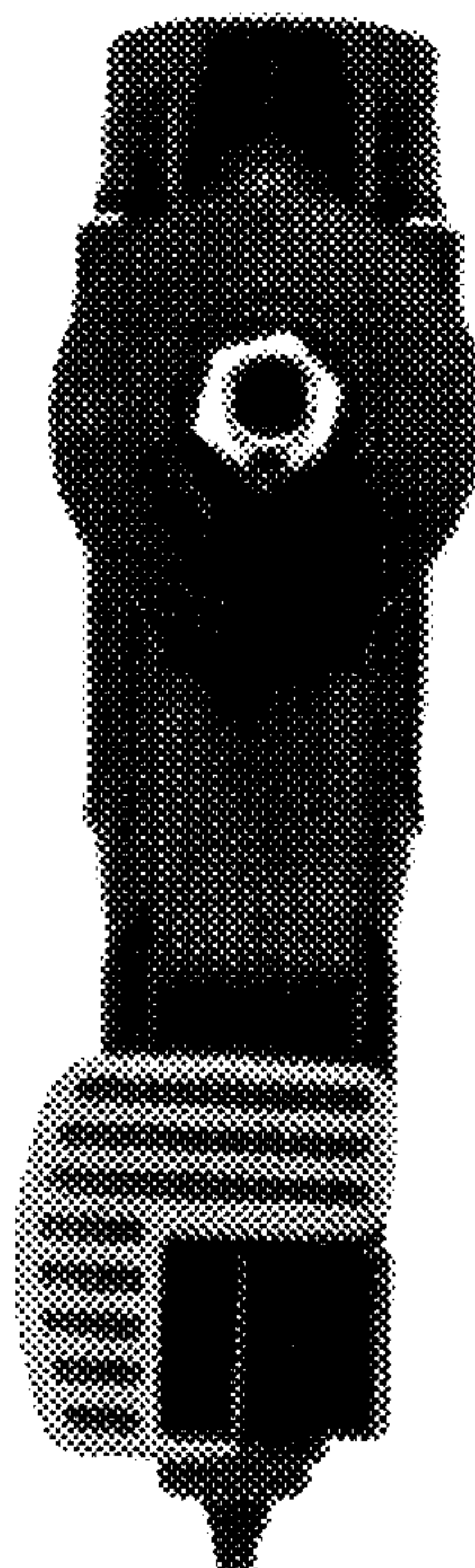


FIG. 4



FIG. 5



FIG. 6