



US00D396177S

United States Patent [19]
Schultz

[11] **Patent Number:** **Des. 396,177**
[45] **Date of Patent:** ****Jul. 21, 1998**

[54] **CORDLESS DRILL**

D. 340,394 10/1993 Okumura D8/68
D. 342,430 12/1993 Saito et al. D8/68

[75] **Inventor:** **William H. Schultz, Northbrook, Ill.**

Primary Examiner—Antoine Duval Davis
Attorney, Agent, or Firm—Jones, Day, Reavis & Pogue

[73] **Assignee:** **S-B Power Tool Company, Chicago, Ill.**

[57] **CLAIM**

[**] **Term:** **14 Years**

The ornamental design for a cordless drill, as shown and described.

[21] **Appl. No.:** **60,586**

DESCRIPTION

[22] **Filed:** **Oct. 1, 1996**

[51] **LOC (6) Cl.** **08-01**

[52] **U.S. Cl.** **D8/68**

[58] **Field of Search** D8/61, 62, 68;
81/54, 57.11, 57.13, 57.14, 177.4; 173/170;
239/525, 526, 527, 589; 408/124, 125

FIG. 1 is a perspective view of a cordless drill embodying my design;
FIG. 2 is a left side view thereof (the right side, which is not shown, is a mirror image of the left side);
FIG. 3 is a front view thereof;
FIG. 4 is a rear view thereof;
FIG. 5 is a top view thereof; and,
FIG. 6 is a bottom view thereof.

[56] **References Cited**

U.S. PATENT DOCUMENTS

D. 340,393 10/1993 Okumura D8/68

1 Claim, 4 Drawing Sheets

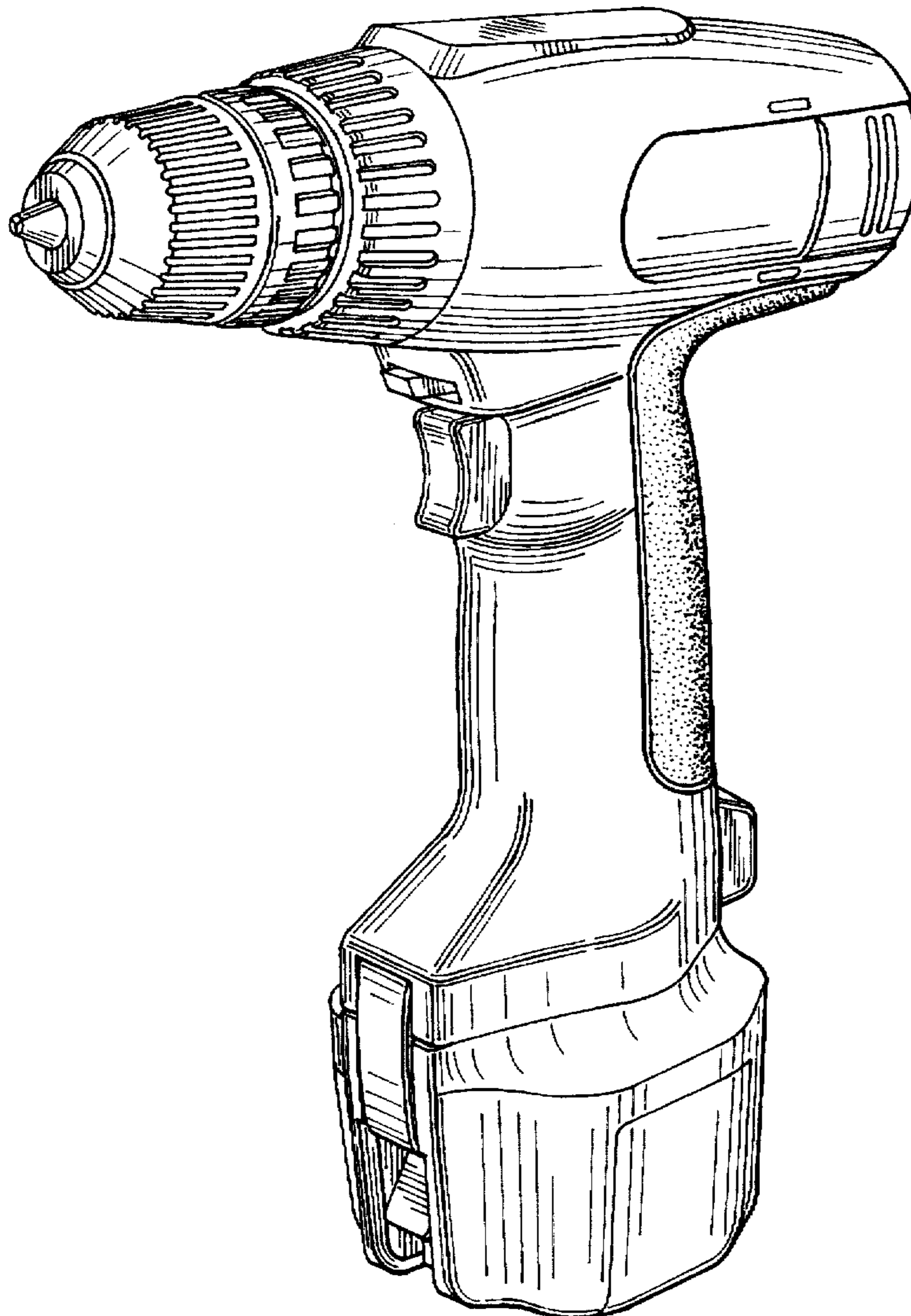


FIG. 1

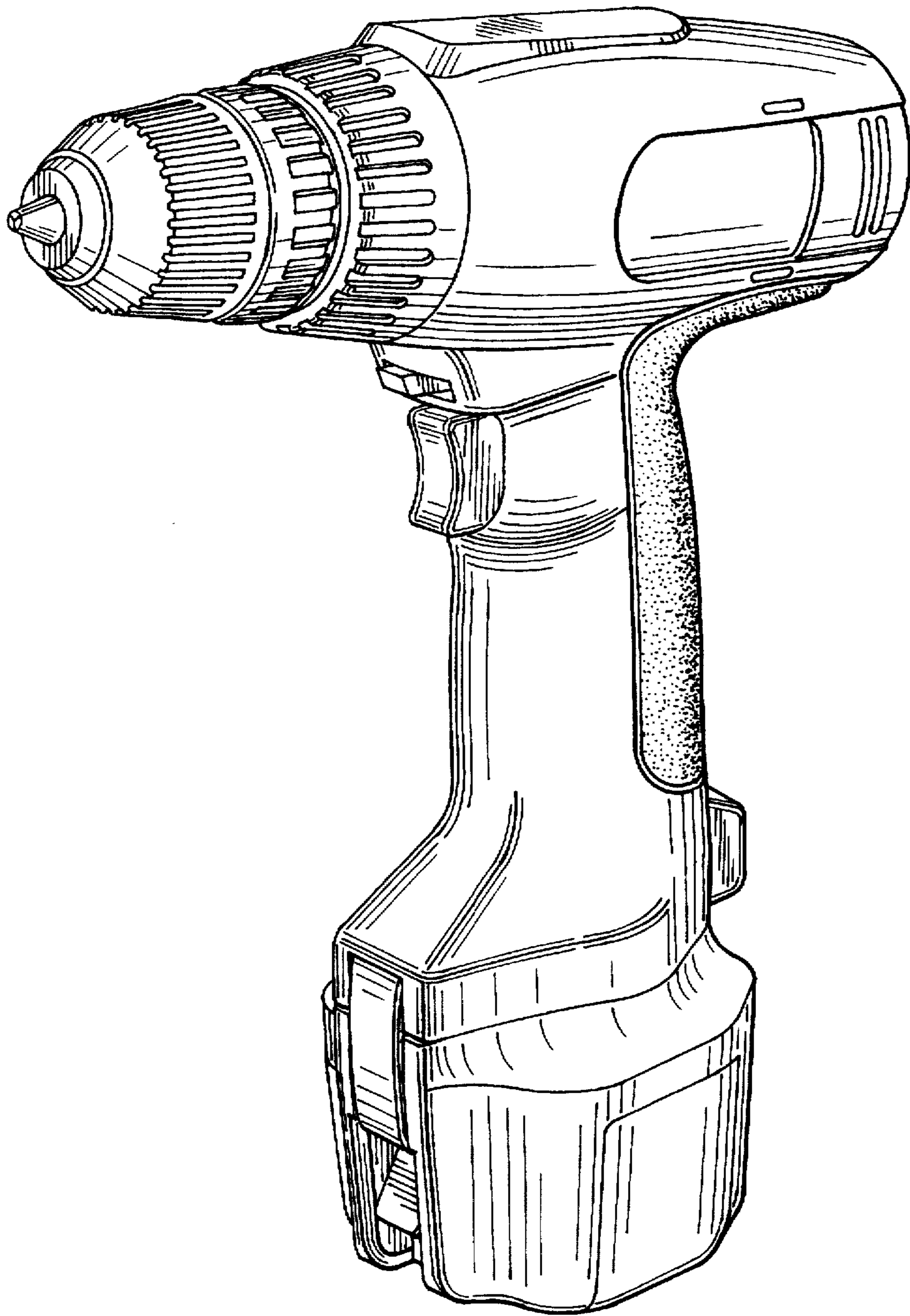


FIG. 2

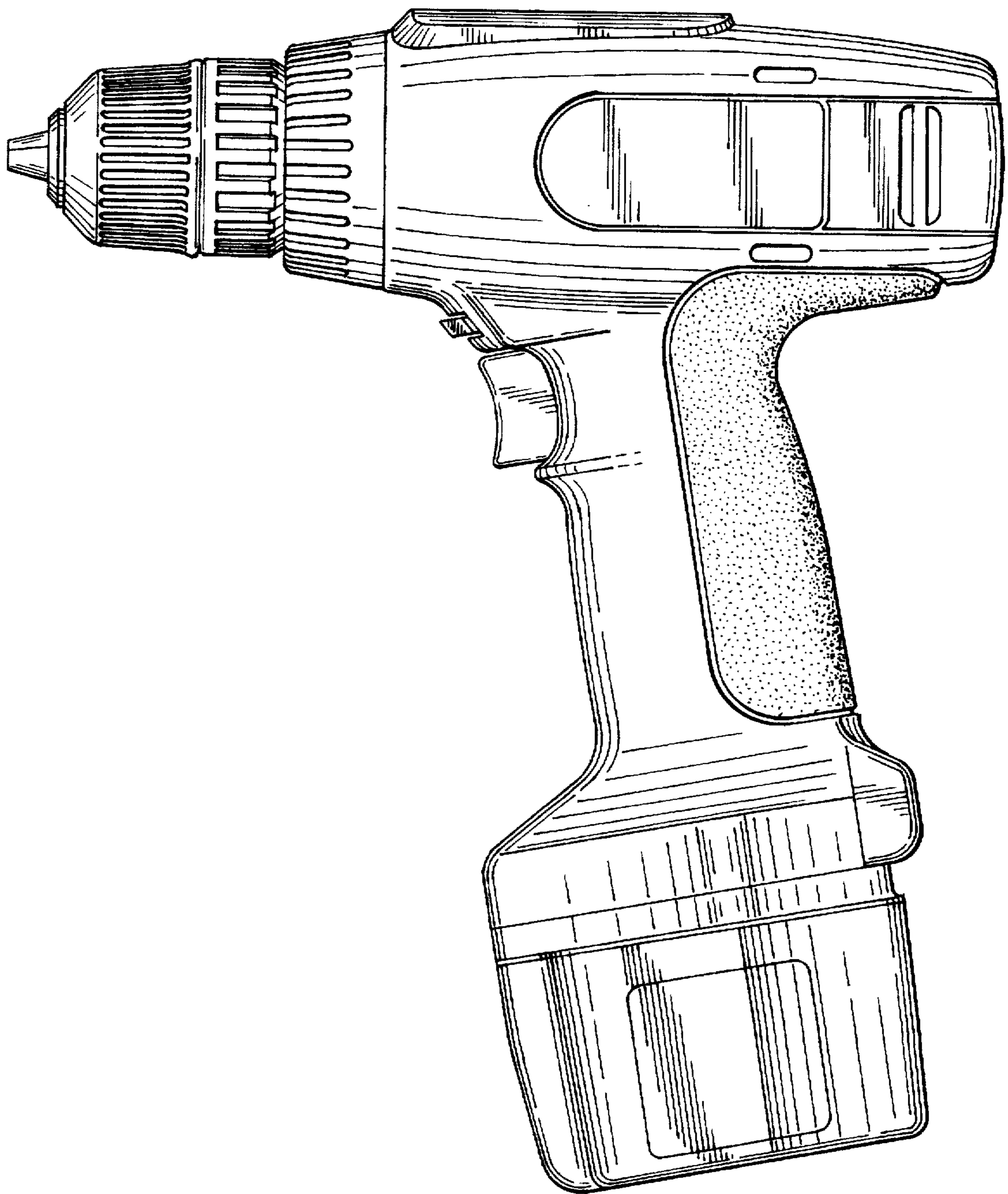


FIG.3

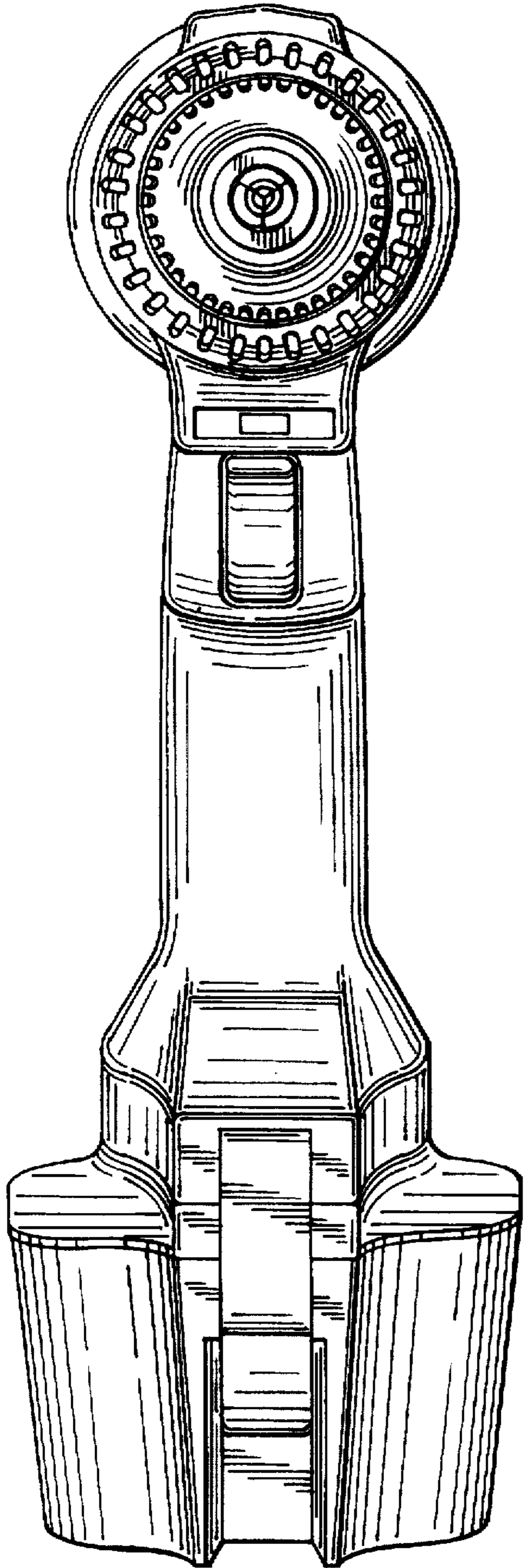


FIG.4

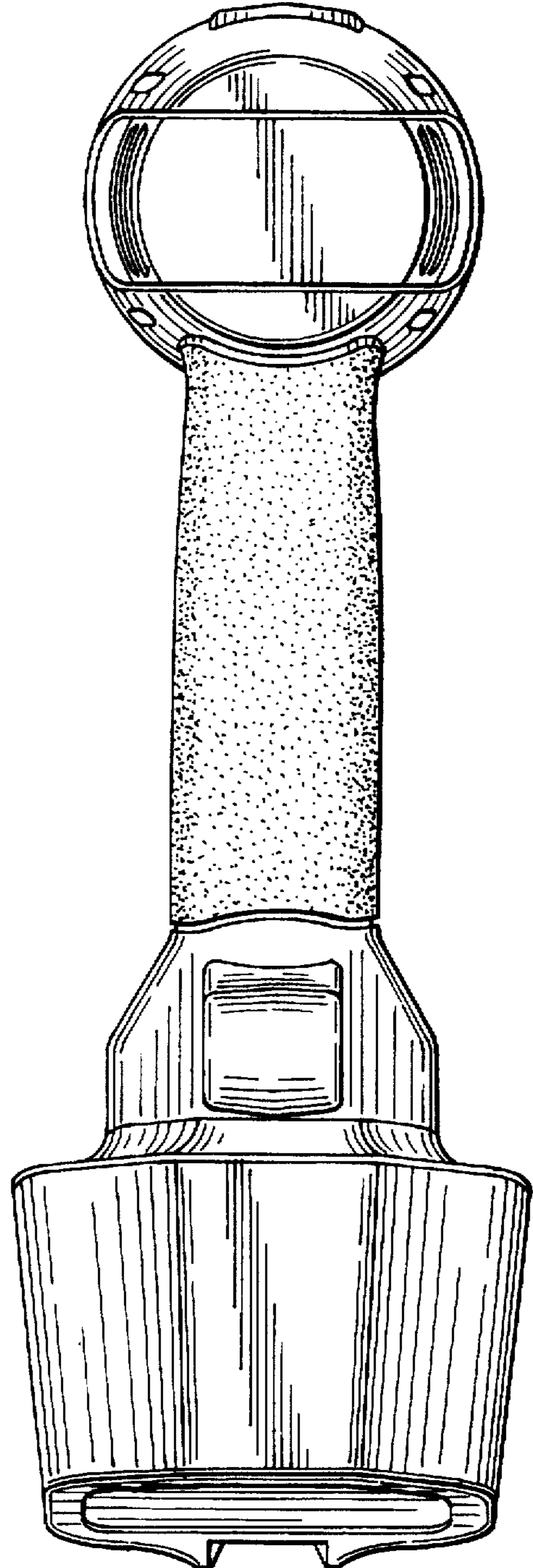


FIG.5

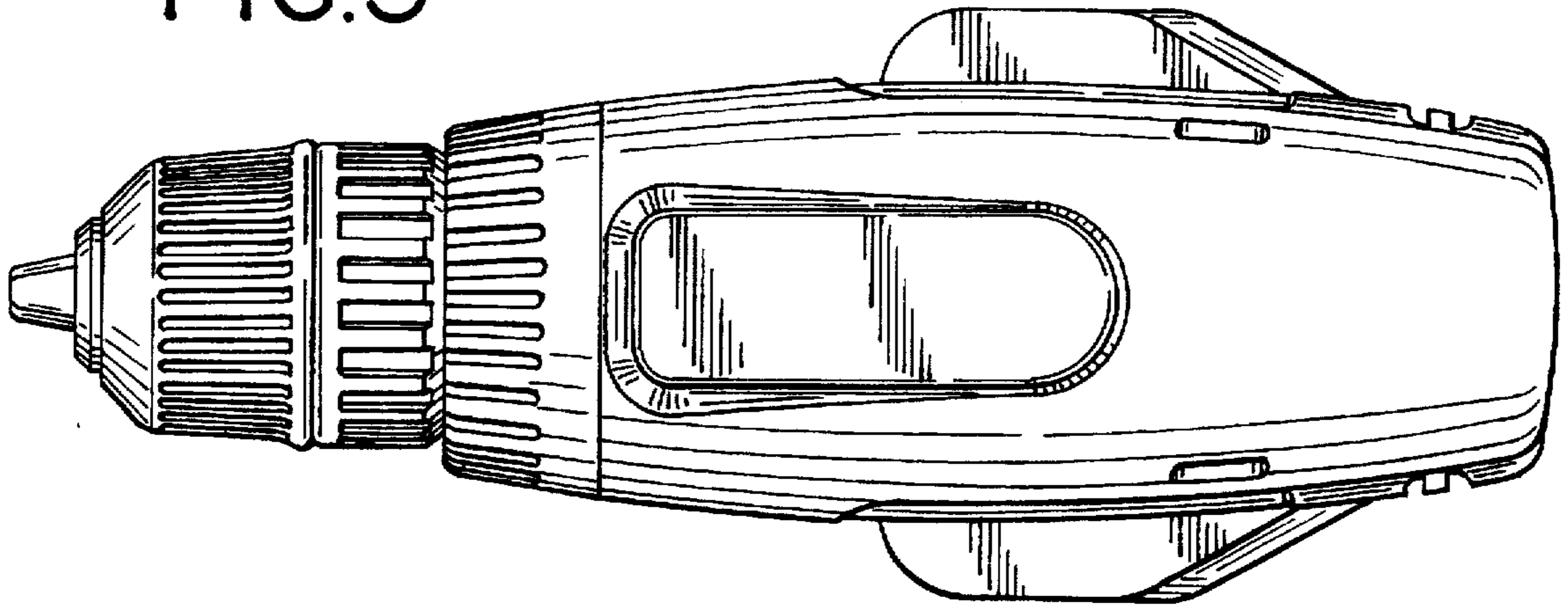


FIG.6

