



US00D396175S

# United States Patent [19] Chung

[11] Patent Number: **Des. 396,175**

[45] Date of Patent: **\*\*Jul. 21, 1998**

[54] **GRINDER**

D. 295,824 5/1988 Hoshino et al. .... D8/62

[76] Inventor: **Lee Hsin-Chih Chung**, No. 21-8,  
Shang San Cho Woo, Wuchang-Li,  
Chungli City, Taoyuan Hsien, Taiwan

*Primary Examiner*—Antoine Duval Davis

[\*\*] Term: **14 Years**

[57] **CLAIM**

The ornamental design for a grinder, as shown and described.

[21] Appl. No.: **73,419**

**DESCRIPTION**

[22] Filed: **Jul. 8, 1997**

FIG. 1 is a perspective view of grinder showing my new design;

[51] LOC (6) Cl. .... **08-01**

FIG. 2 is a front elevational view thereof;

[52] U.S. Cl. .... **D8/62**

FIG. 3 is a rear elevational view thereof;

[58] Field of Search ..... D8/62; 451/344,  
451/356, 357, 359, 414, 456, 162, 163

FIG. 4 is a left side elevational view thereof;

FIG. 5 is a right side elevational view thereof;

FIG. 6 is a top view thereof; and,

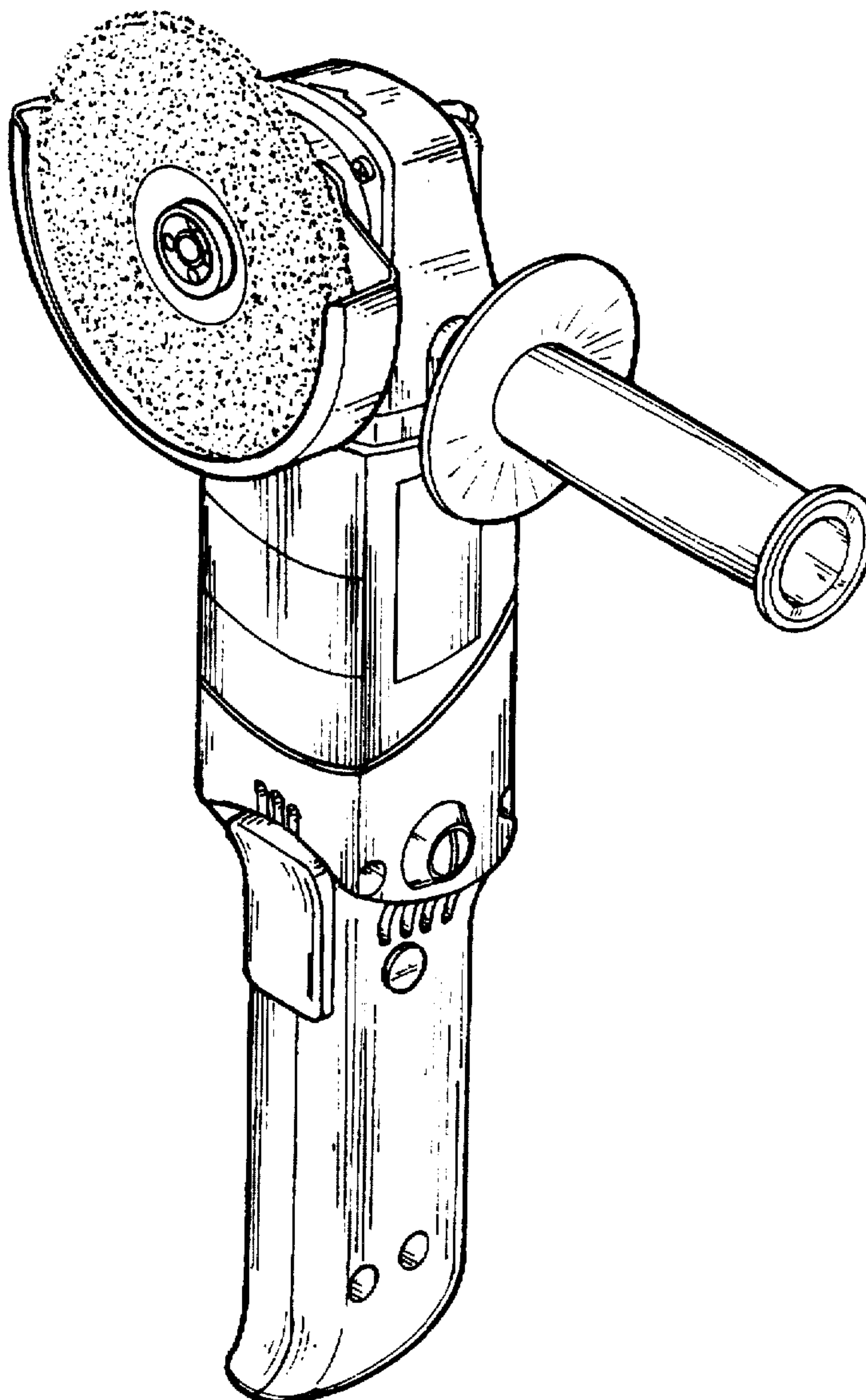
FIG. 7 is a bottom view thereof.

[56] **References Cited**

**U.S. PATENT DOCUMENTS**

D. 255,417 6/1980 Sakamoto et al. .... D8/62

**1 Claim, 6 Drawing Sheets**



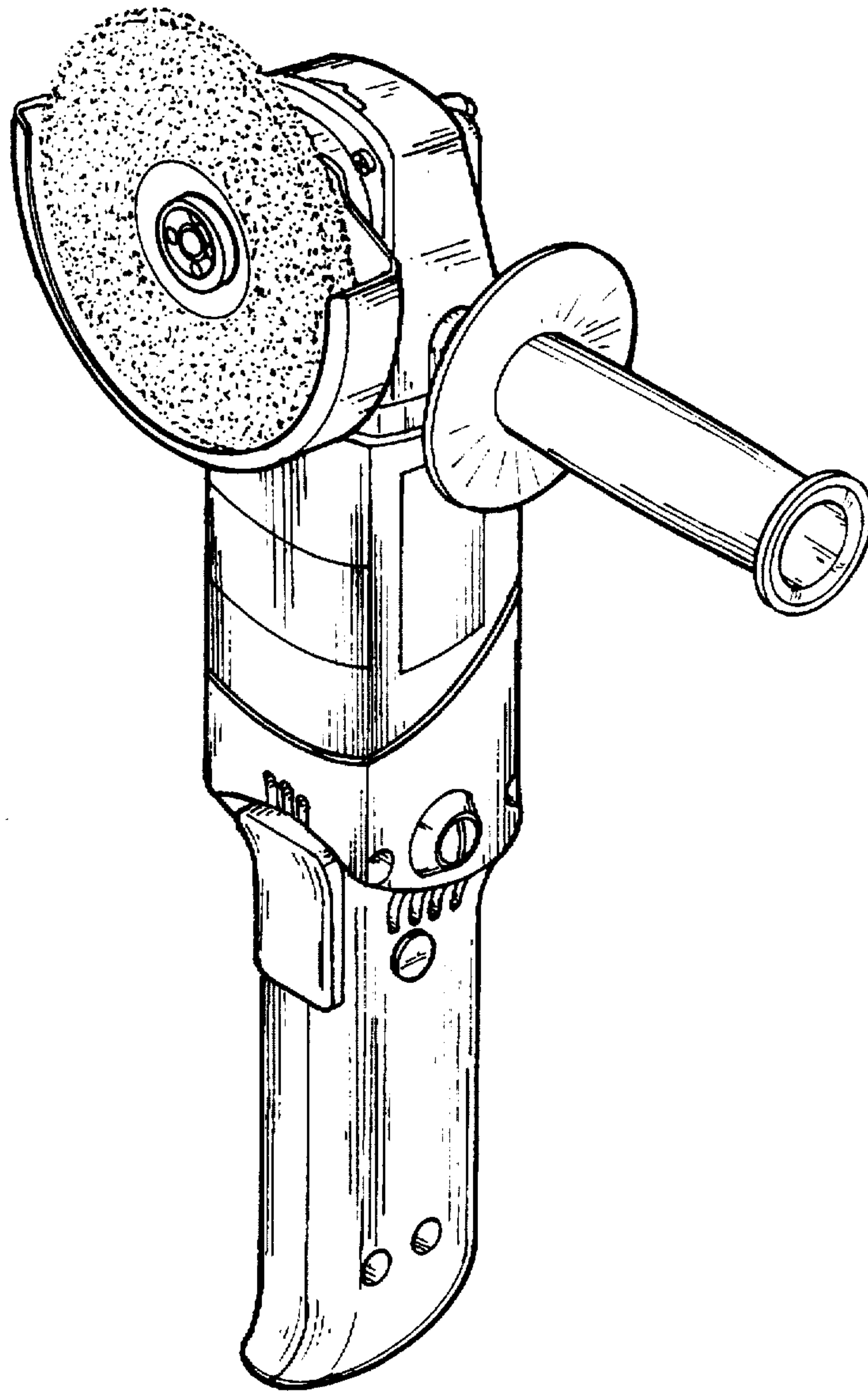


FIG.1

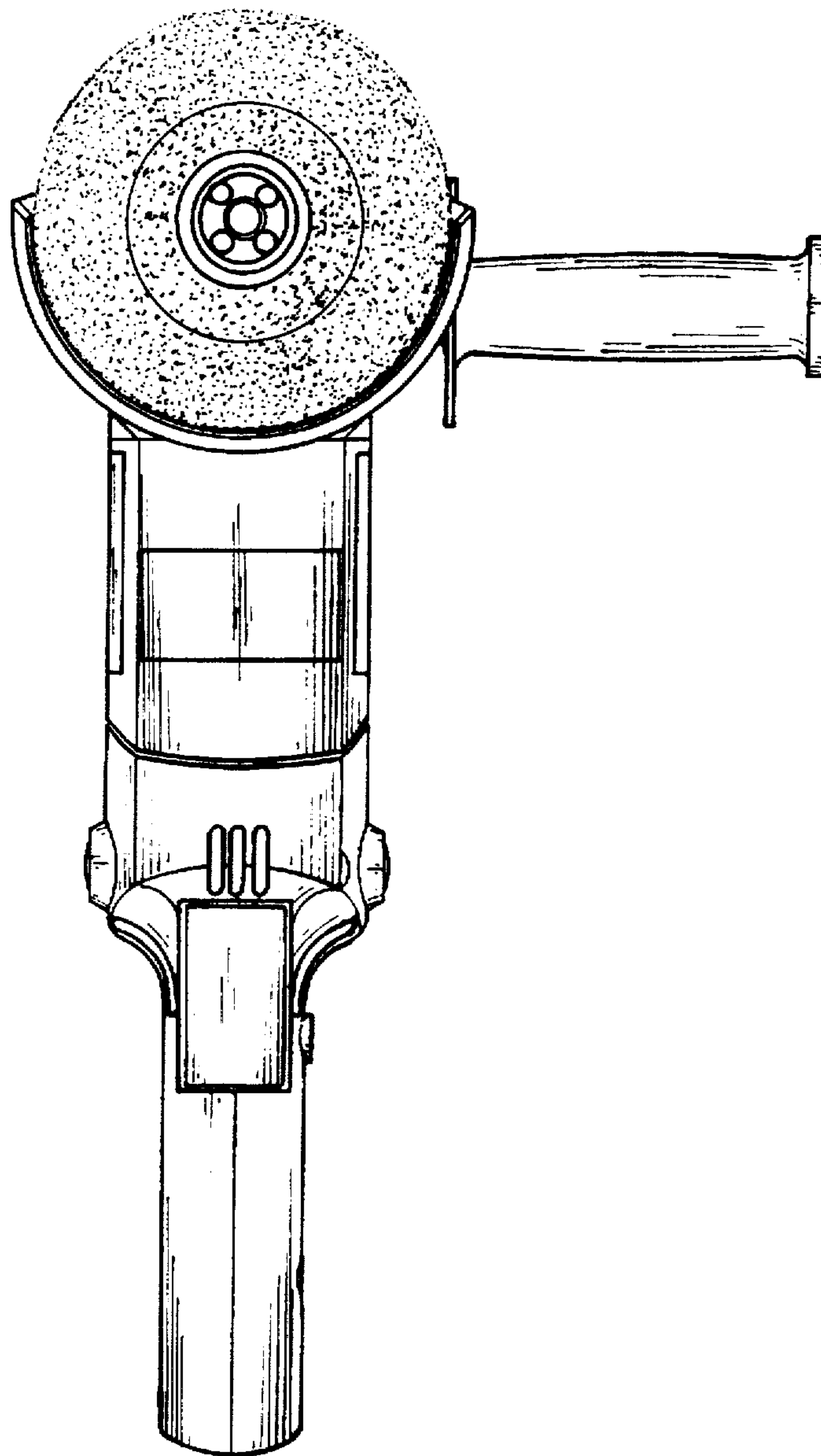


FIG. 2

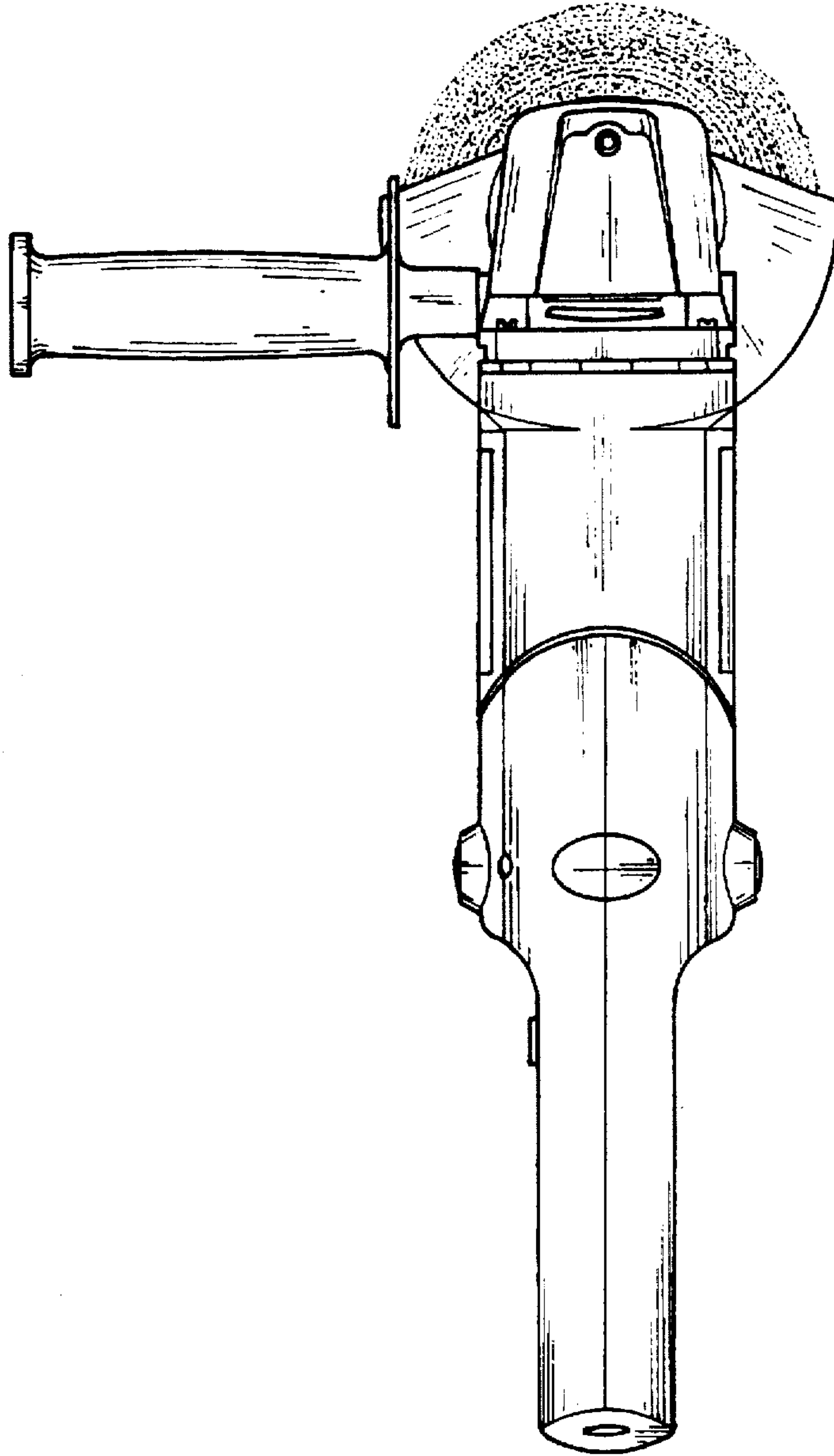


FIG.3

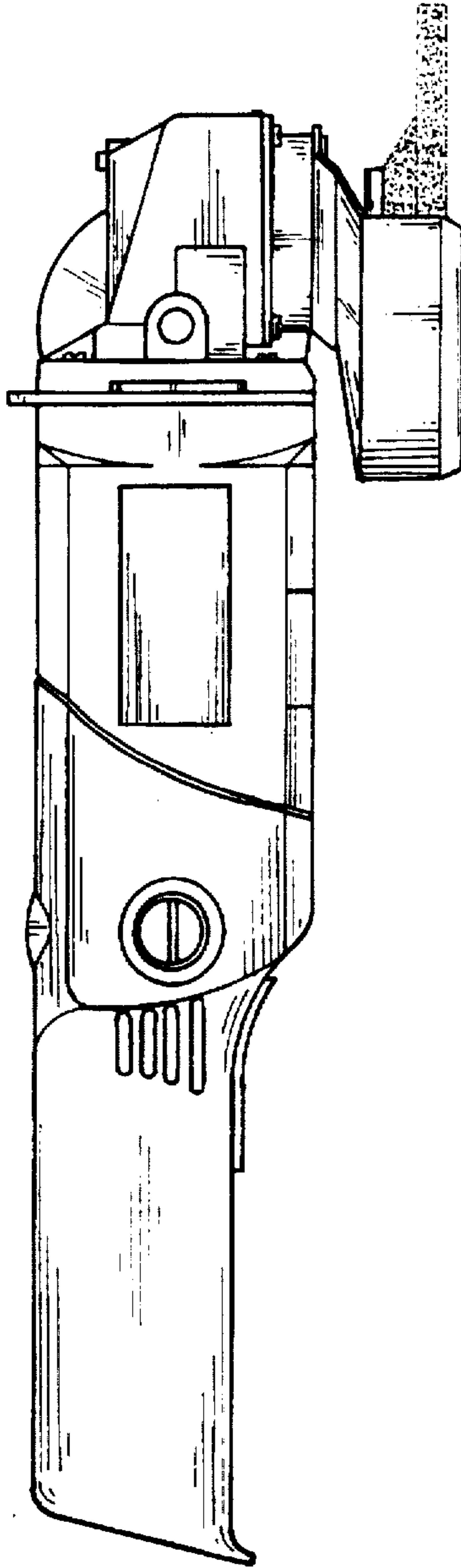


FIG. 4

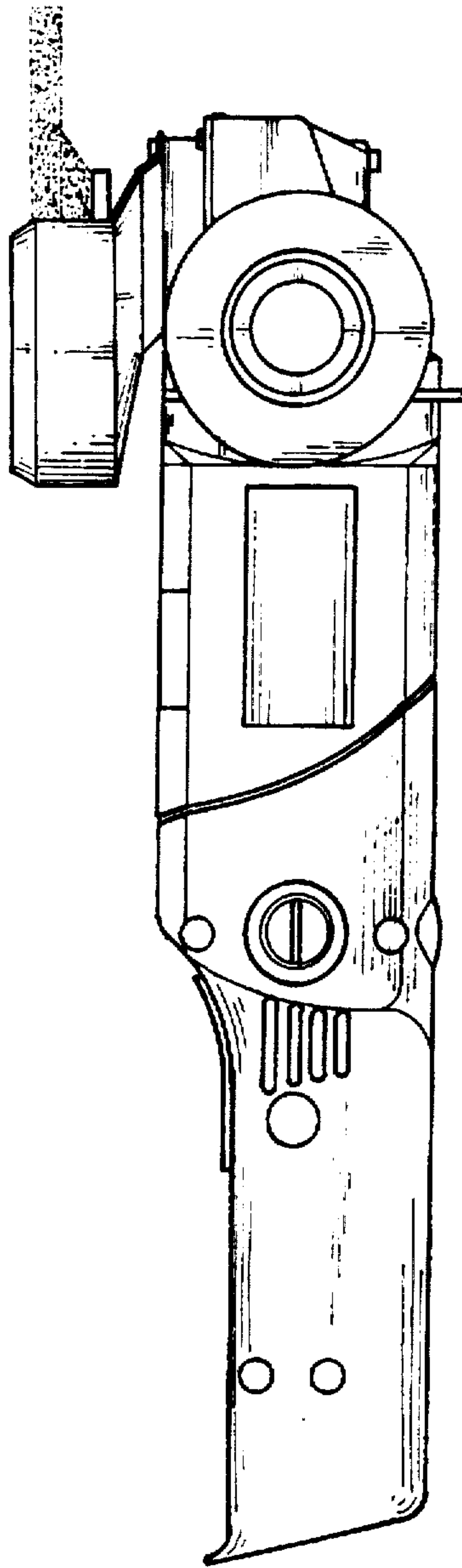


FIG. 5



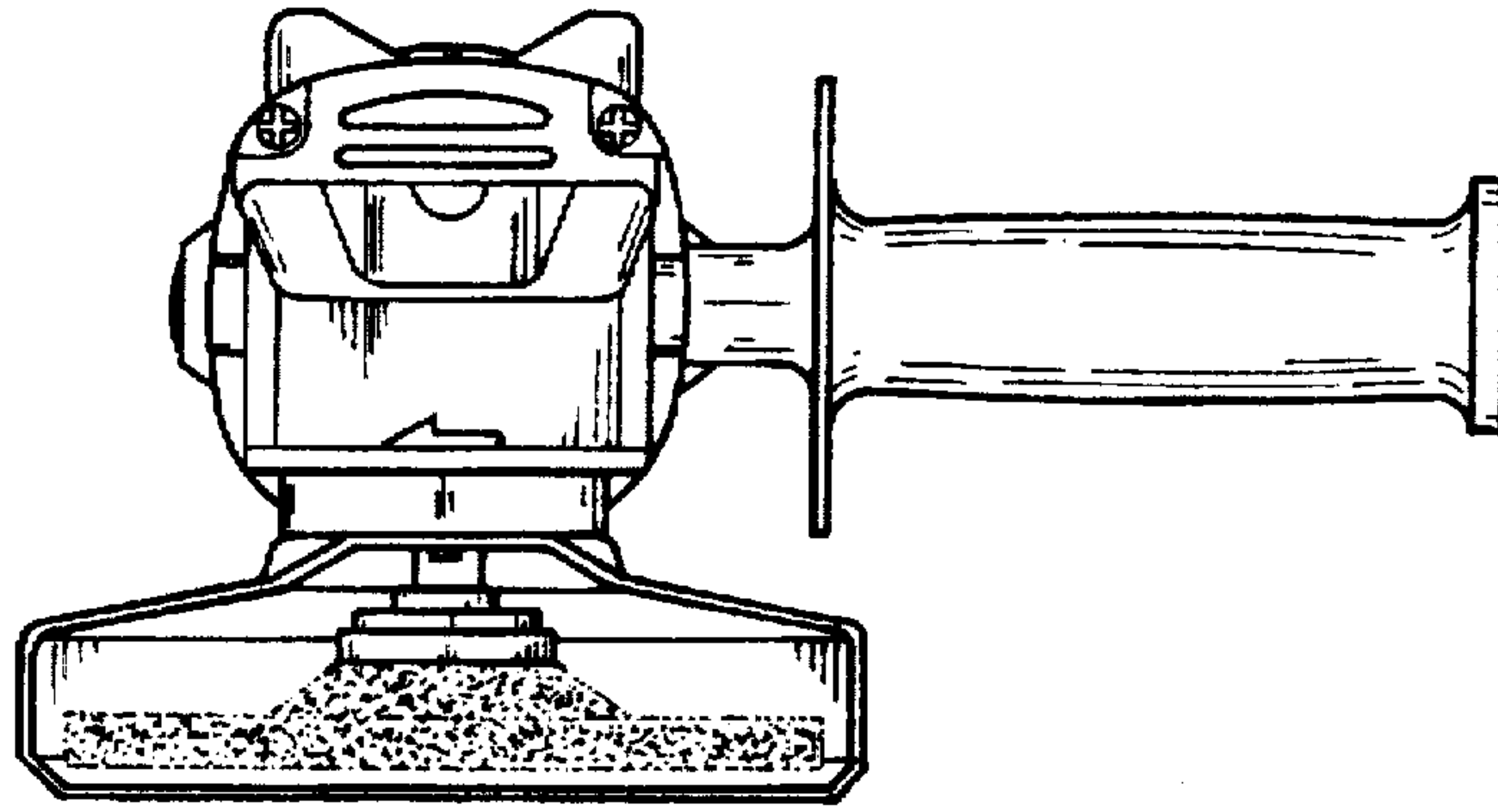


FIG. 6

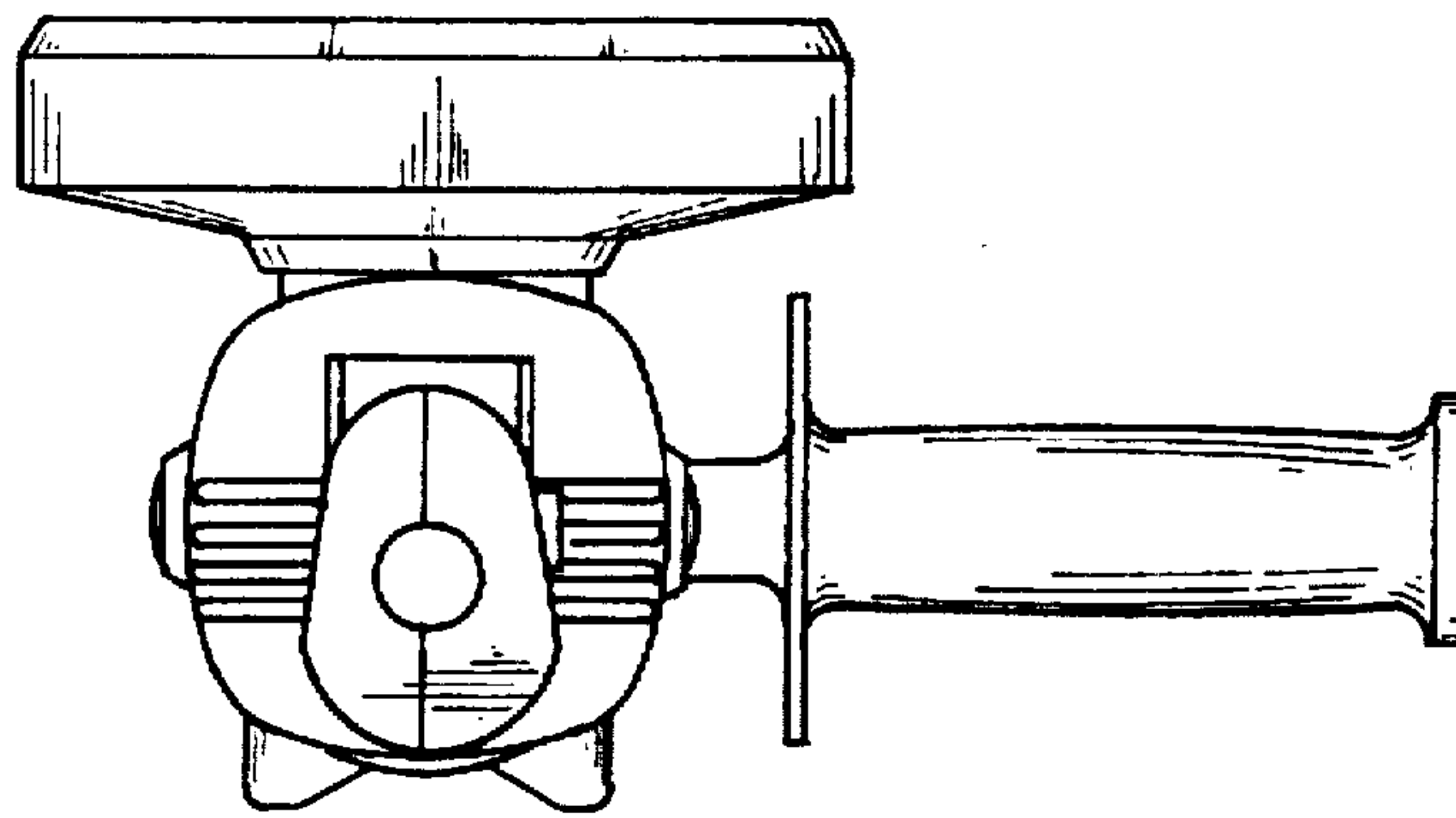


FIG. 7