



US00D396170S

**United States Patent** [19]  
**Conway**

[11] **Patent Number:** **Des. 396,170**  
[45] **Date of Patent:** **\*\*Jul. 21, 1998**

[54] **COMBINED CONDIMENT CADDY AND ADVERTISING DEVICE**

D. 329,558 9/1992 Keown ..... D6/515  
4,432,151 2/1984 Morris ..... 40/661

[75] Inventor: **James F. Conway**, St. Louis, Mo.

*Primary Examiner*—Terry A. Wallace  
*Attorney, Agent, or Firm*—Polster, Lieder, Woodruff and Lucchesi

[73] Assignee: **ACI Plastics, Inc.**, St. Louis, Mo.

[\*\*] Term: **14 Years**

[57] **CLAIM**

[21] Appl. No.: **76,896**

The ornamental design for a combined condiment caddy and advertising device, as shown and described.

[22] Filed: **Sep. 25, 1997**

**DESCRIPTION**

[51] **LOC (6) Cl.** ..... **07-06**

[52] **U.S. Cl.** ..... **D7/590**

[58] **Field of Search** ..... D7/590, 601, 598,  
D7/600, 637-641, 631, 632; D20/10, 19,  
99; 40/661, 642.02; 211/13.1, 60.1, 71,  
74; 220/23.86

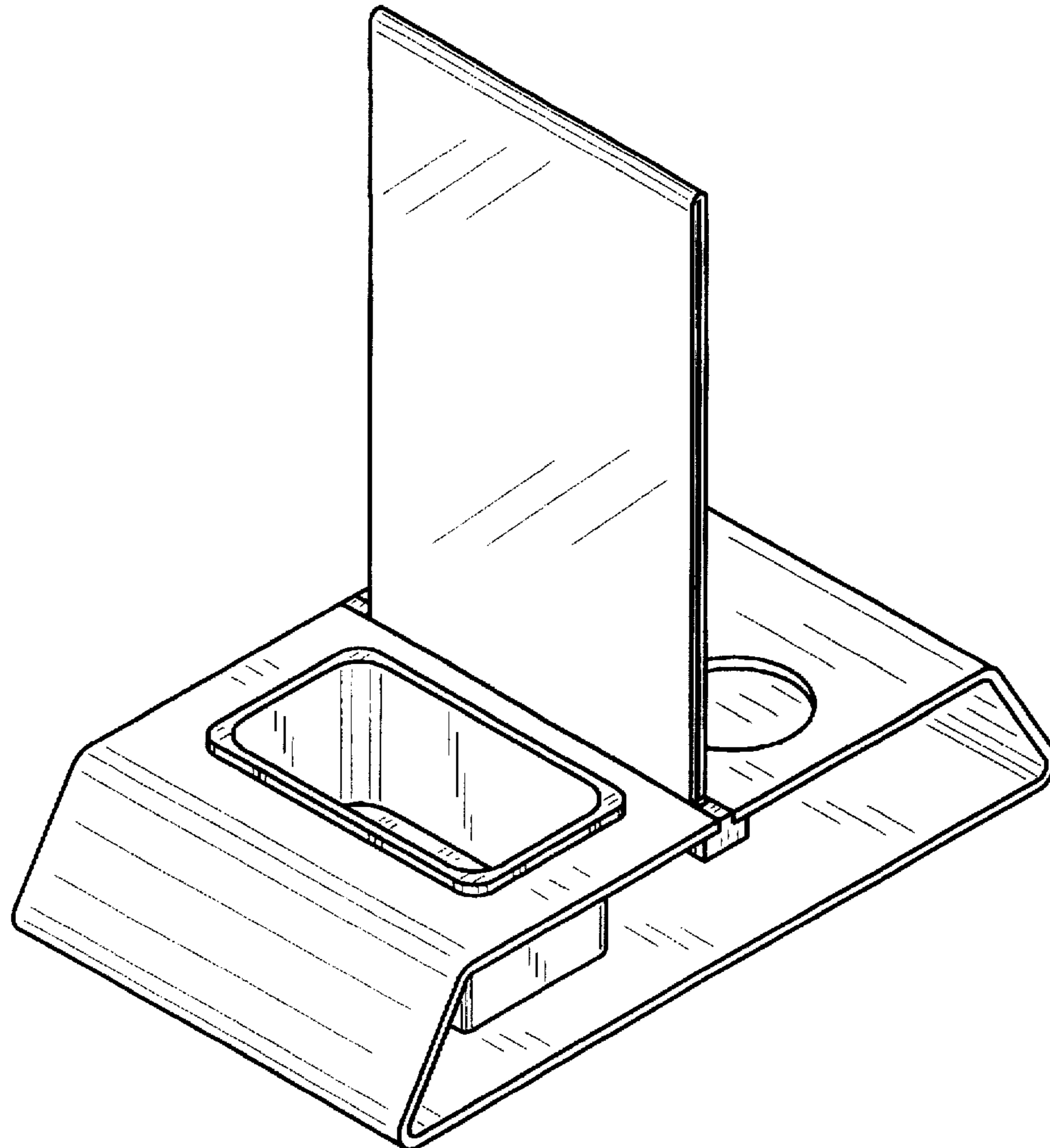
FIG. 1 is a perspective view of a combined condiment caddy and advertising device illustrating my new design; FIG. 2 is a front elevational view thereof; FIG. 3 is a rear elevational view thereof; FIG. 4 is a side elevational view thereof; FIG. 5 is a side elevational view thereof; FIG. 6 is a top plan view thereof; FIG. 7 is a bottom plan view thereof; and, FIG. 8 is an exploded perspective view thereof.

[56] **References Cited**

**U.S. PATENT DOCUMENTS**

D. 241,905 10/1976 Epperson ..... D7/590  
D. 294,272 2/1988 Morris ..... D7/590

**1 Claim, 4 Drawing Sheets**



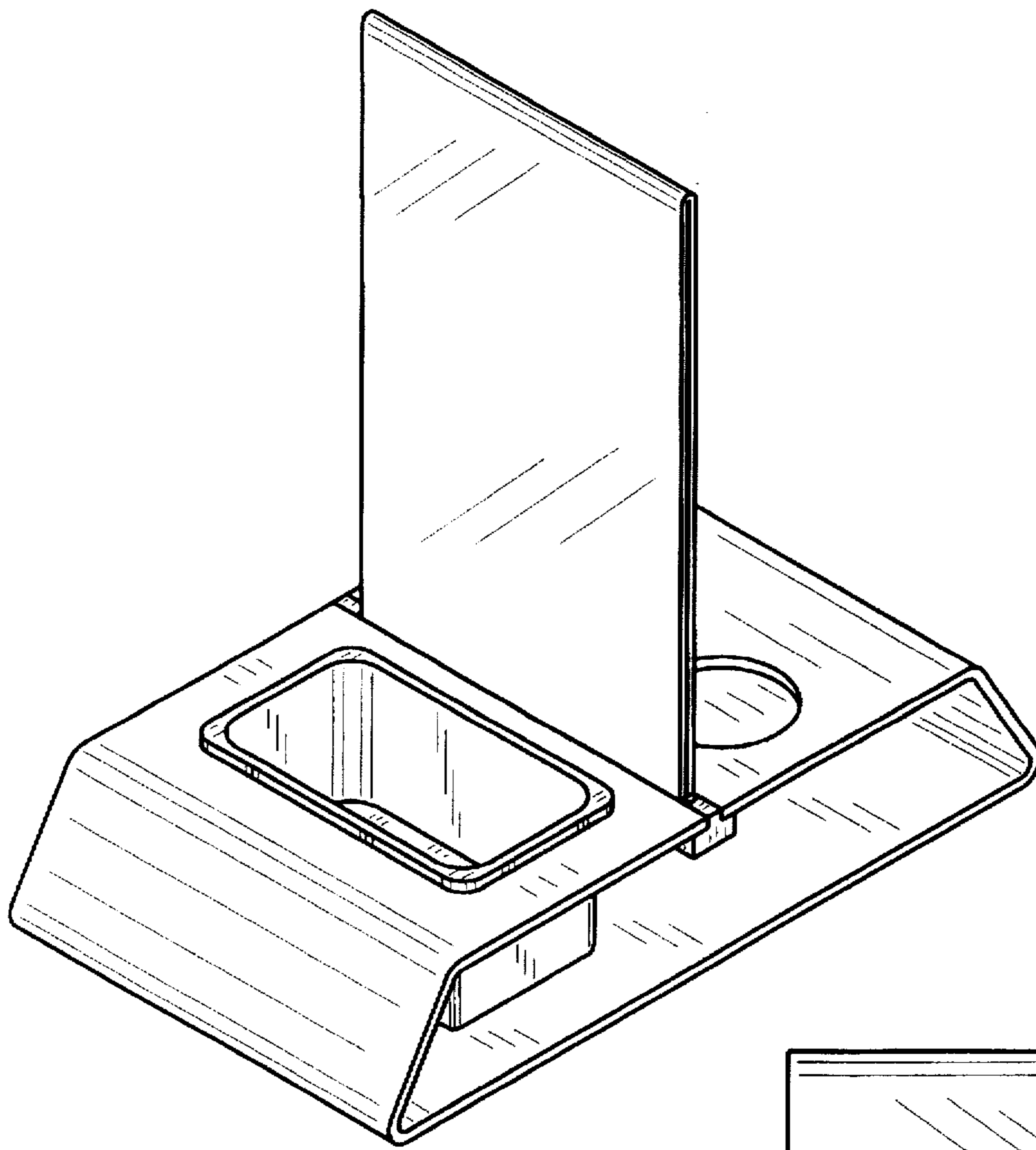


FIG. 1

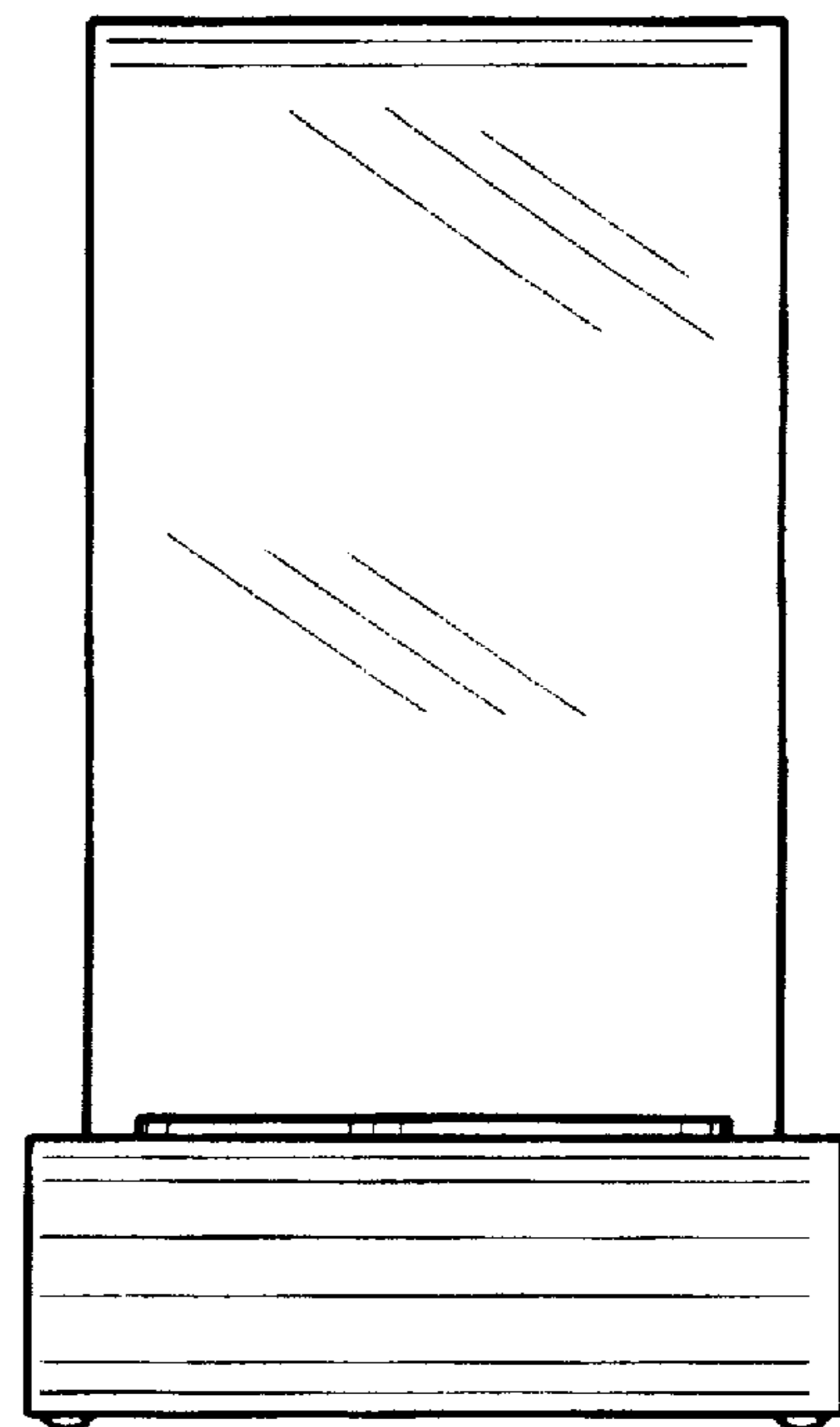


FIG. 2

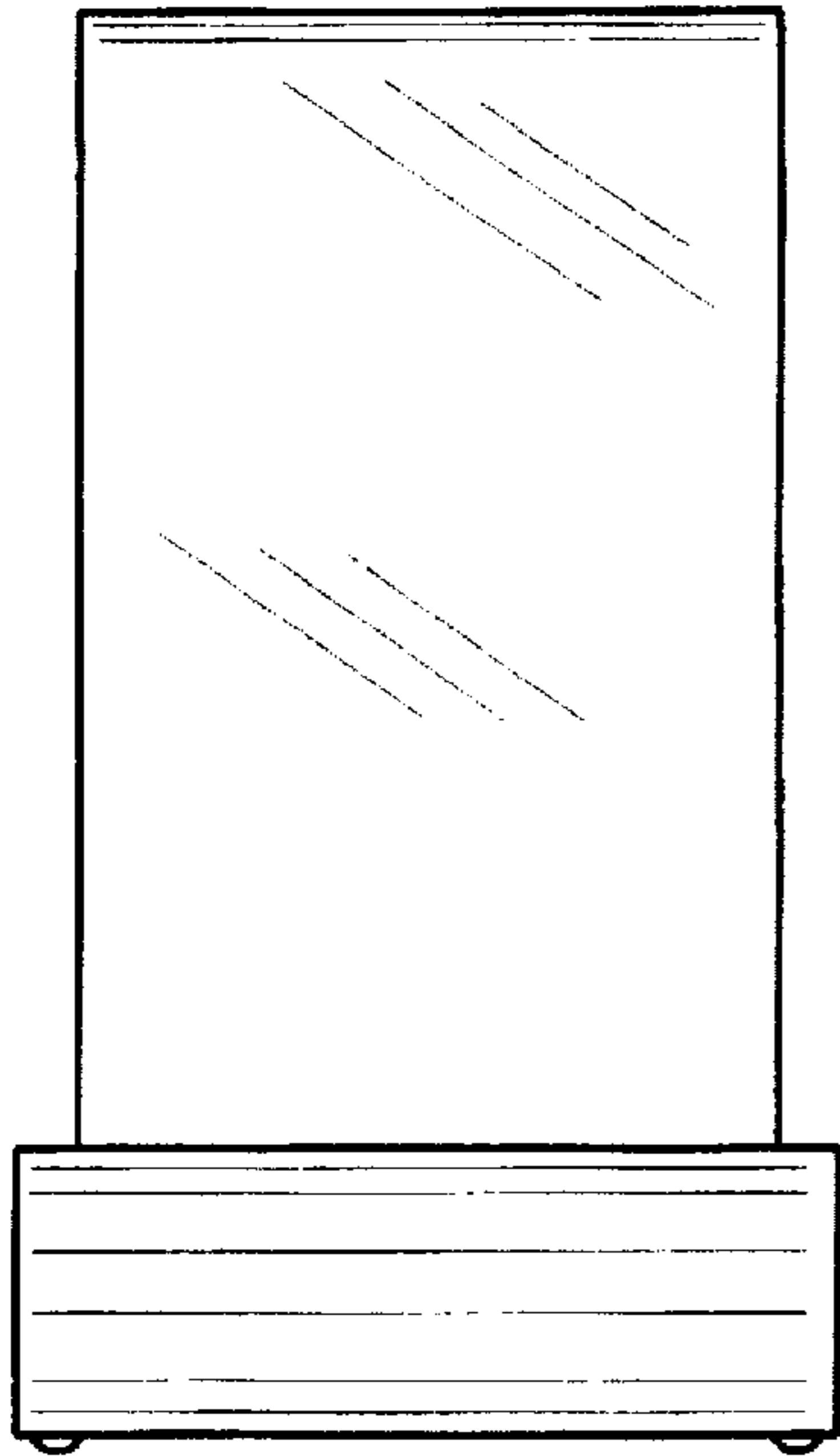


FIG. 3

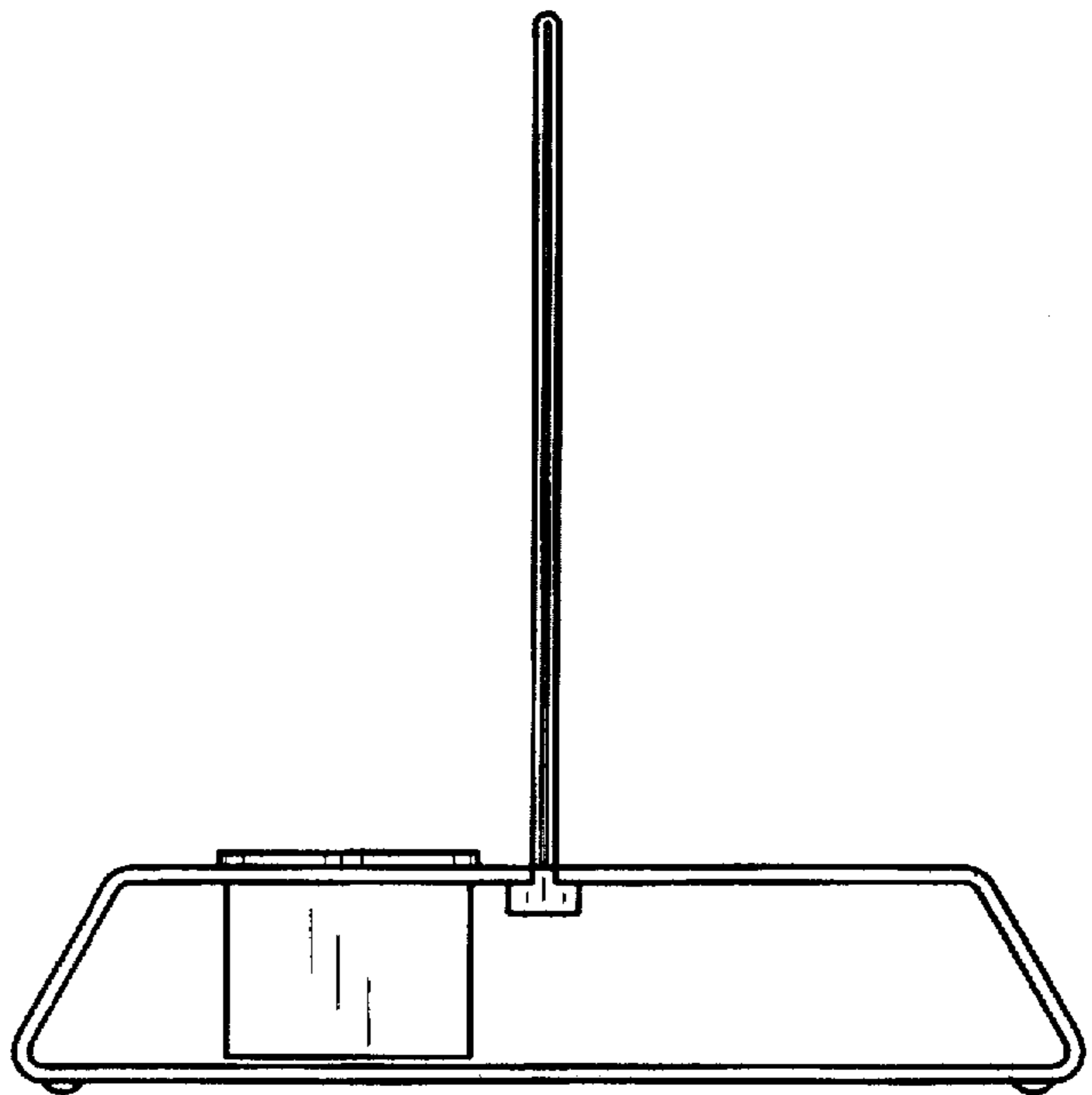


FIG. 4

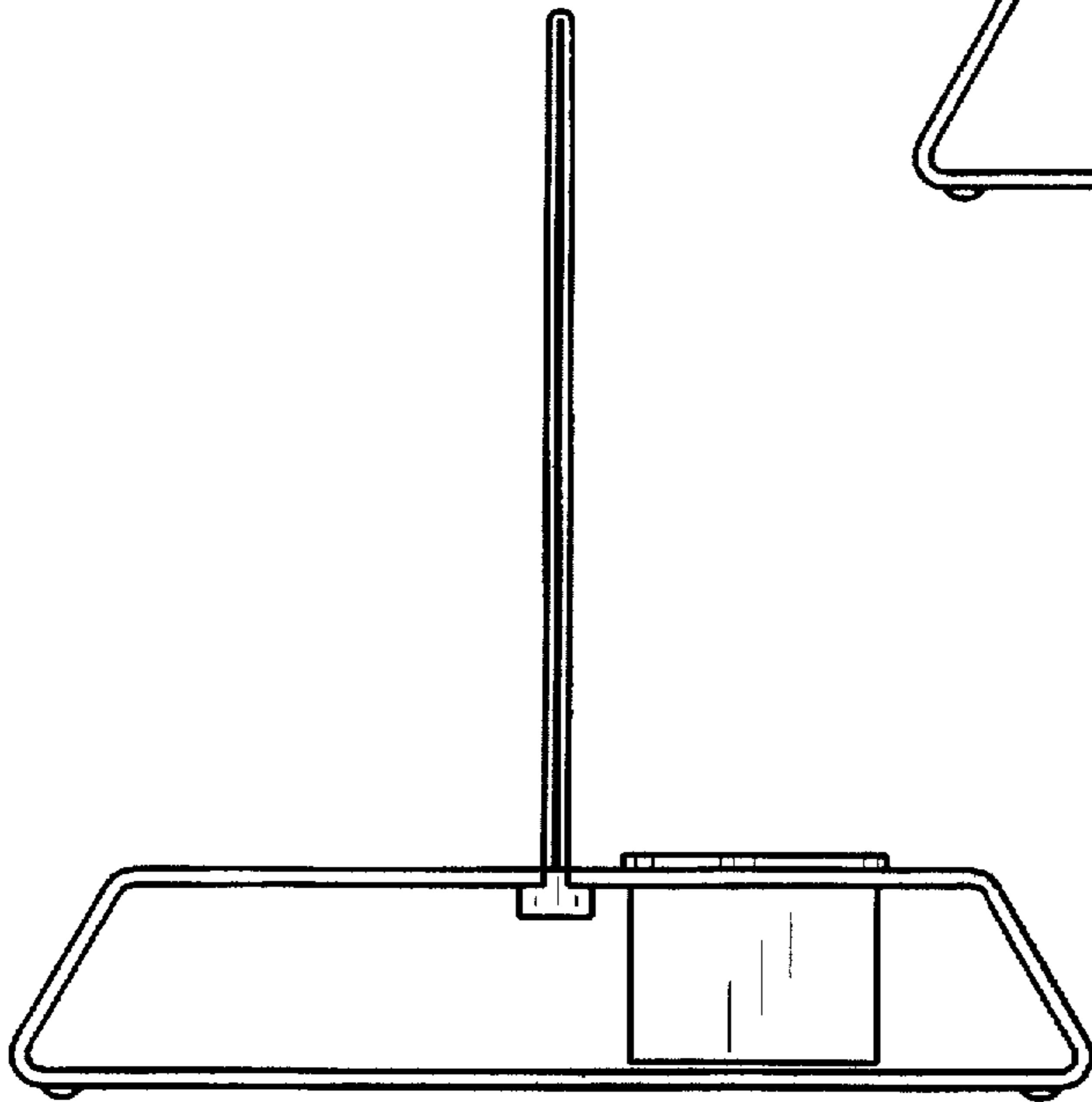


FIG. 5

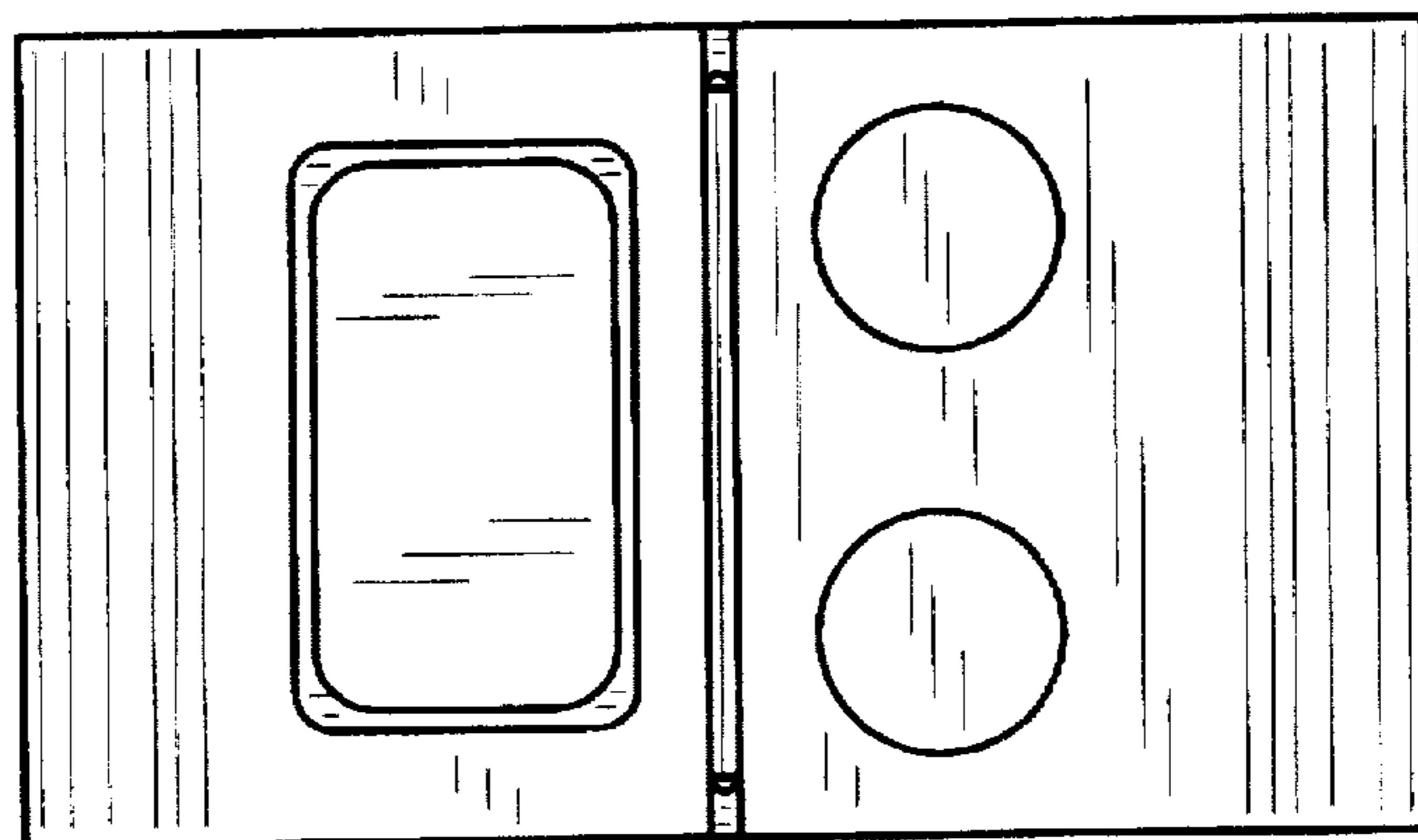


FIG. 6

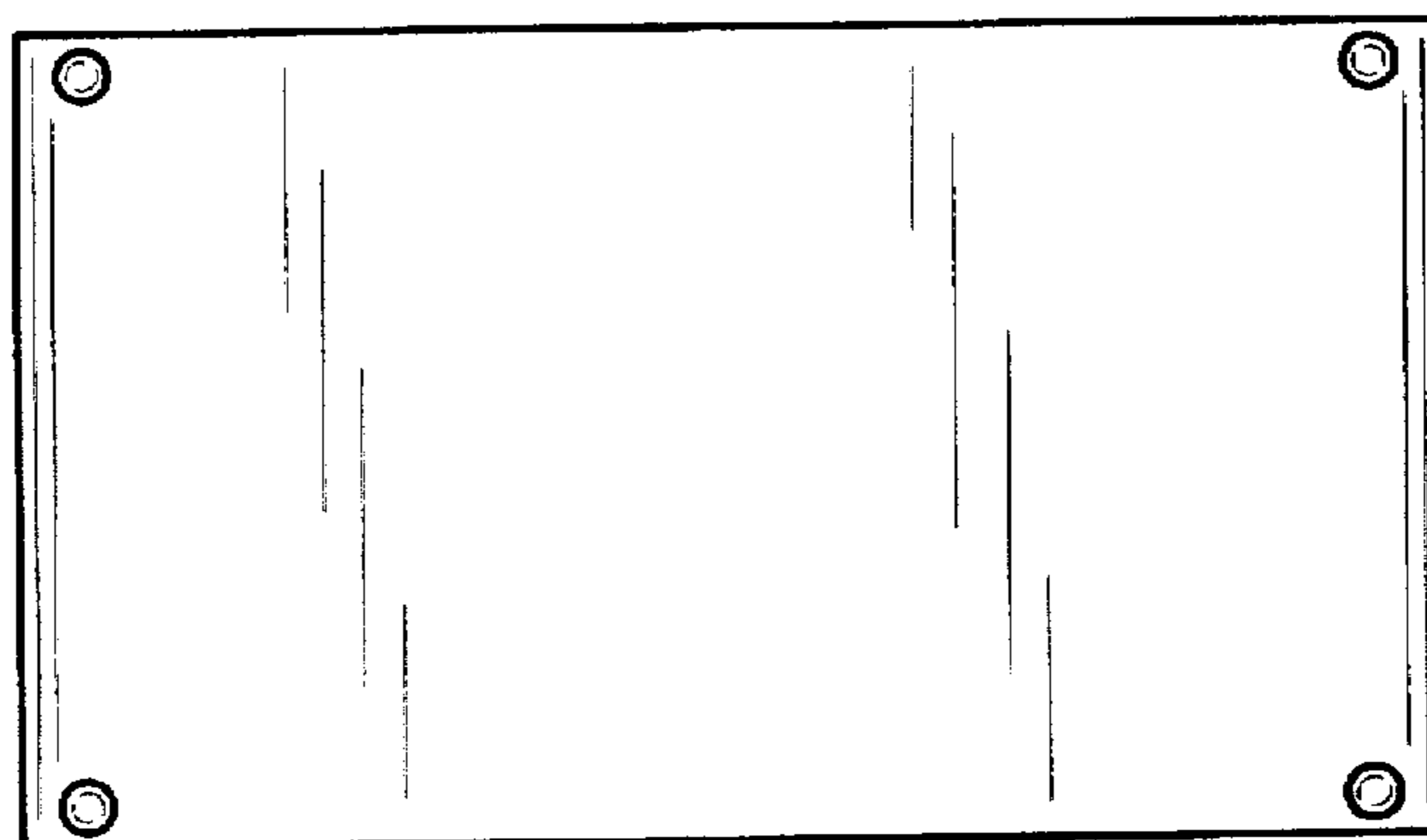


FIG. 7

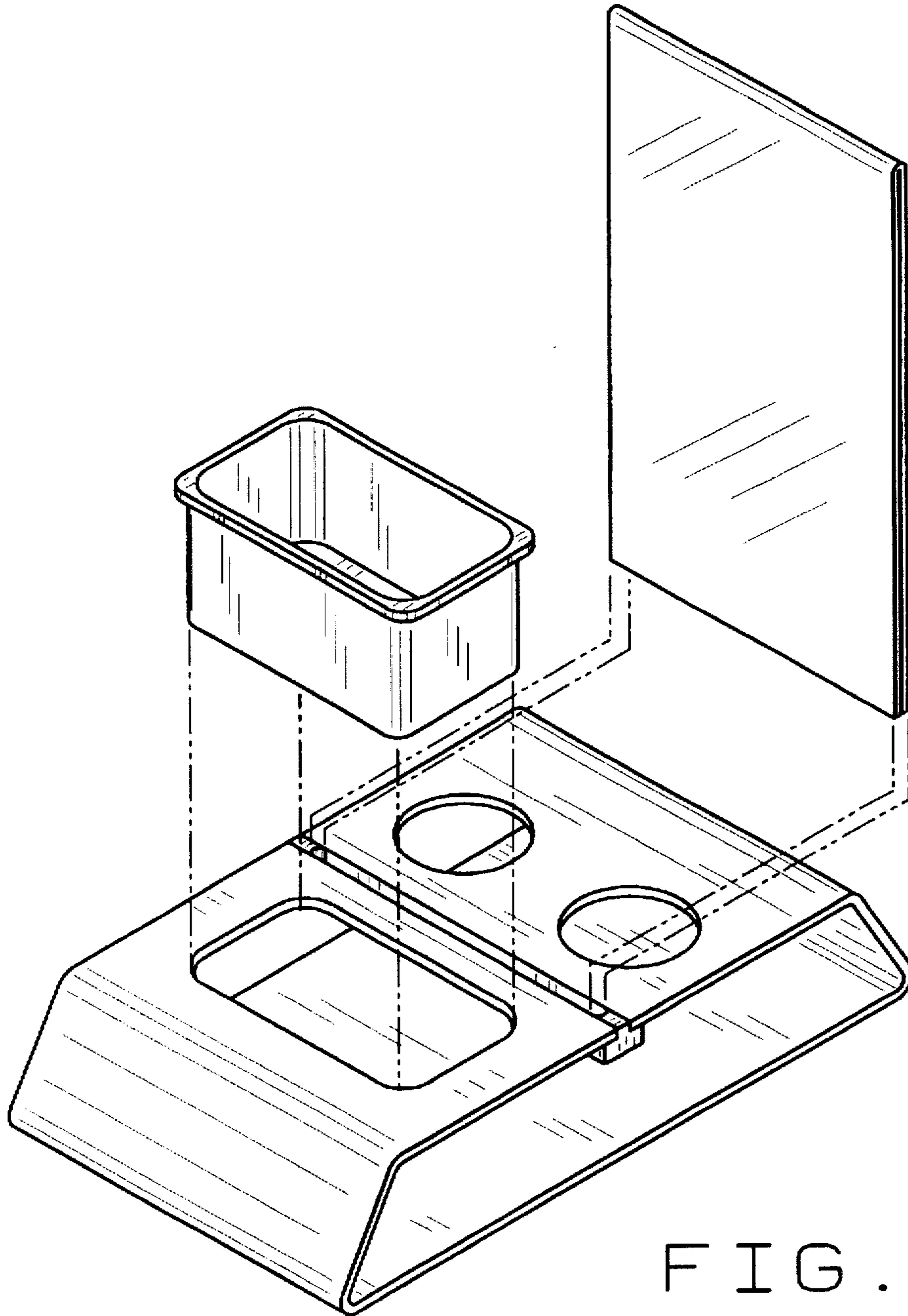


FIG. 8