



US00D396169S

United States Patent [19]

Williamson

[11] Patent Number: Des. 396,169

[45] Date of Patent: **Jul. 21, 1998

[54] BARBECUE GRILL LID SUPPORT DEVICE

4,759,338 7/1988 Croft 126/25 R
4,895,130 1/1990 Staschke D7/402

[76] Inventor: Edward Williamson, 15 Hallmark Street, Brantford, Ontario, Canada, N3P 1A6

Primary Examiner—Ruth McInroy

[**] Term: 14 Years

[57] CLAIM

[21] Appl. No.: 75,561

The ornamental design for a barbecue grill lid support device, as shown and described.

[22] Filed: Aug. 21, 1997

DESCRIPTION

[51] LOC (6) Cl. 07-02

[52] U.S. Cl. D7/402

[58] Field of Search D7/332-337, 402-404, D7/409; 126/25 R, 25 A, 25 AA, 29-30, 9 R, 41 R, 39 R; 292/338; 248/354.1, 354.6

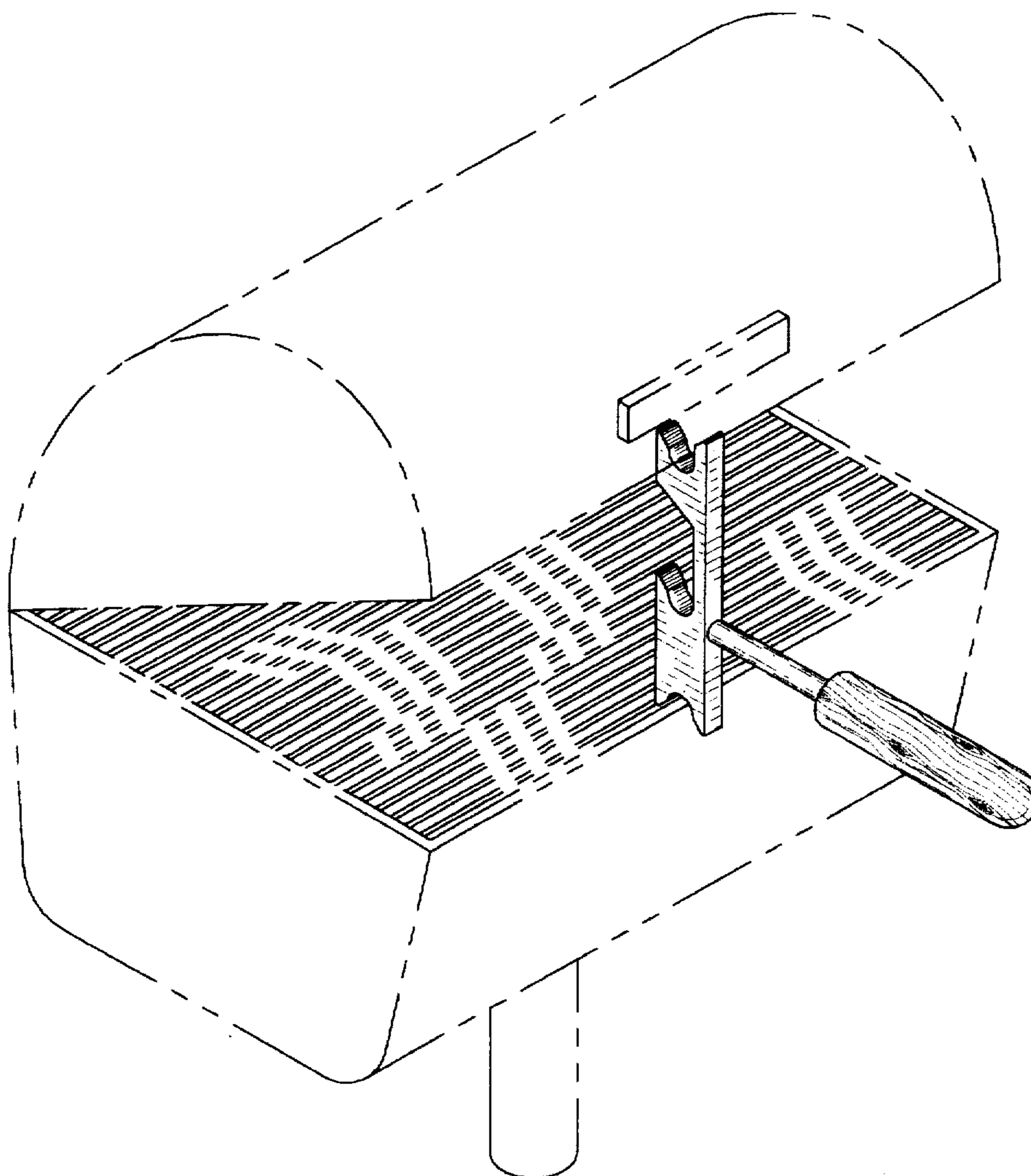
FIG. 1 is a left side elevational view of a barbecue grill lid support device showing my new design; FIG. 2 is a right side elevational view thereof; FIG. 3 is a front elevational view thereof; FIG. 4 is a rear elevational view thereof; FIG. 5 is a top plan view thereof; FIG. 6 is a bottom plan view thereof; and, FIG. 7 is a top, front, right side perspective view thereof. The barbecue grill shown in broken lines in figure 7 is for illustrative purposes only and forms no part of the claimed design.

[56] References Cited

U.S. PATENT DOCUMENTS

- D. 290,079 6/1987 Manning D7/402
- D. 317,239 6/1991 Croft D7/332
- 4,476,849 10/1984 Schmidt 126/25 R
- 4,584,984 4/1986 Croft 126/25 R

1 Claim, 3 Drawing Sheets



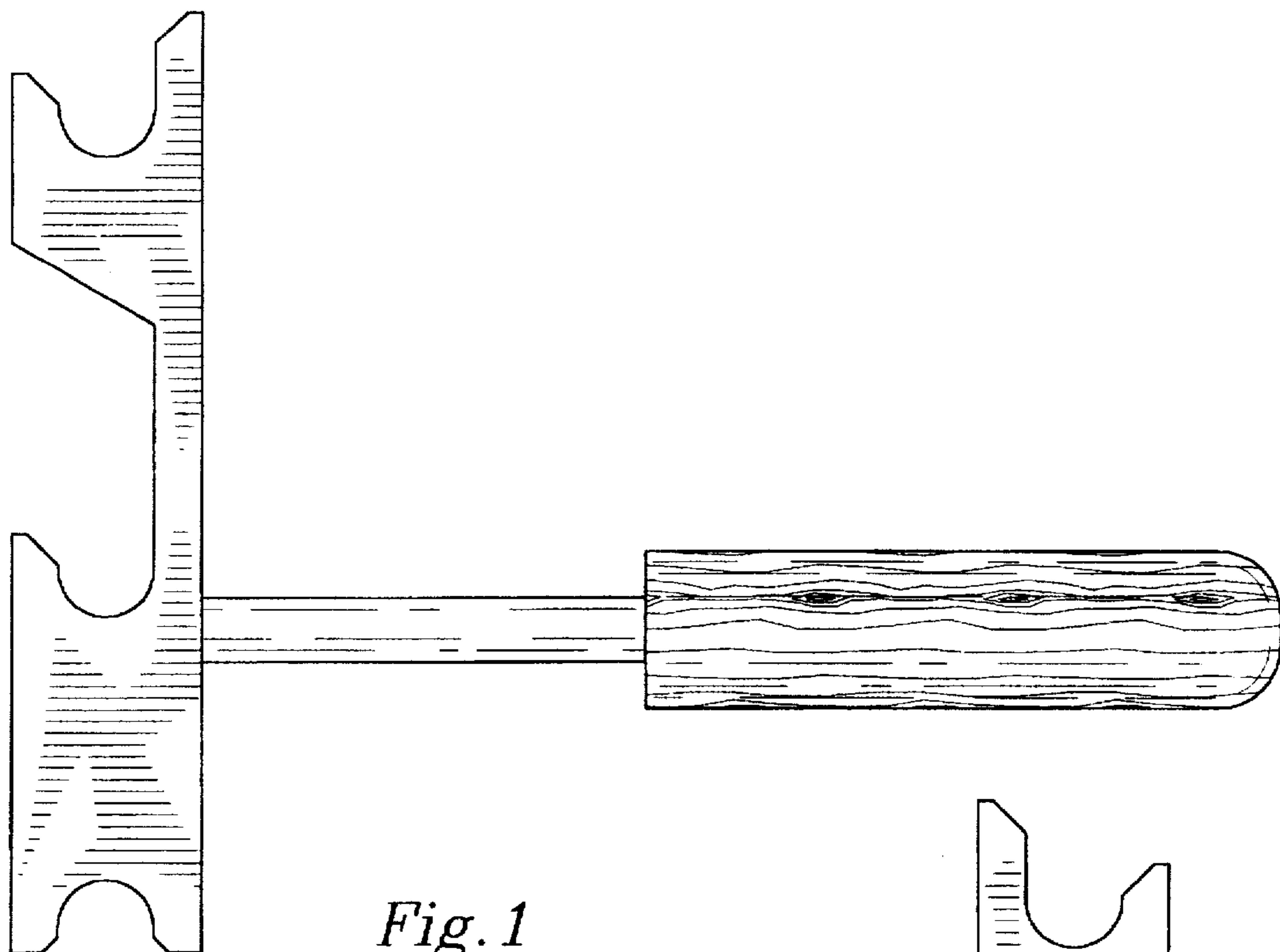


Fig. 1

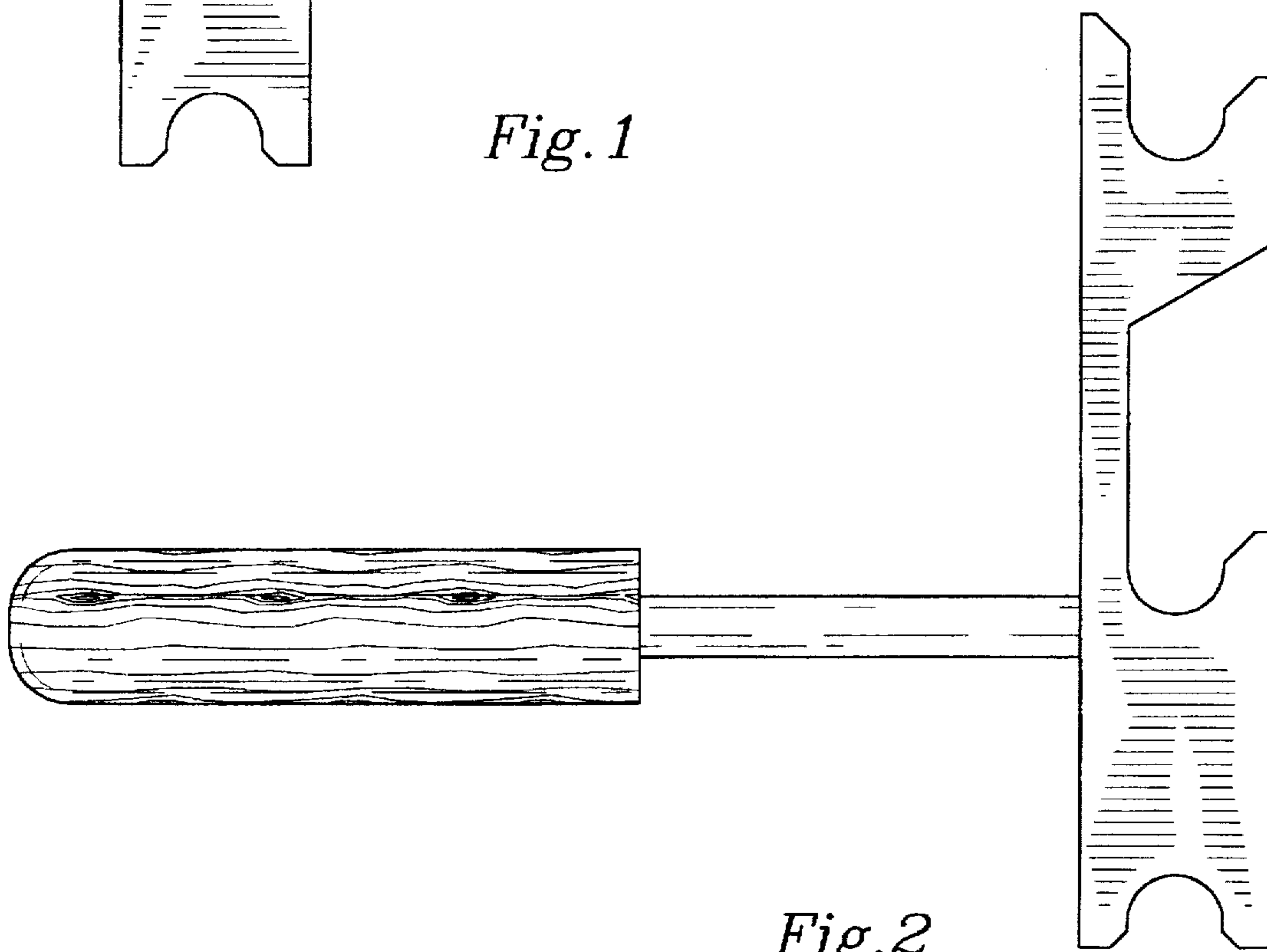


Fig. 2

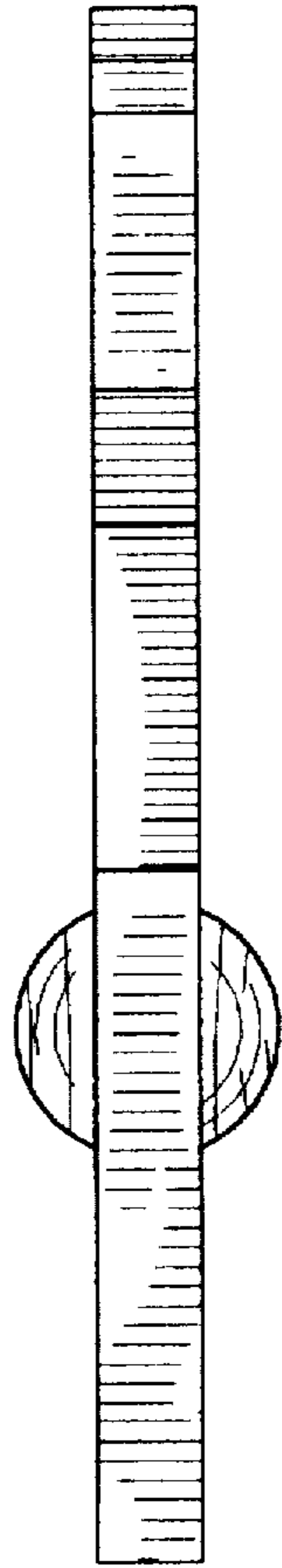


Fig. 3

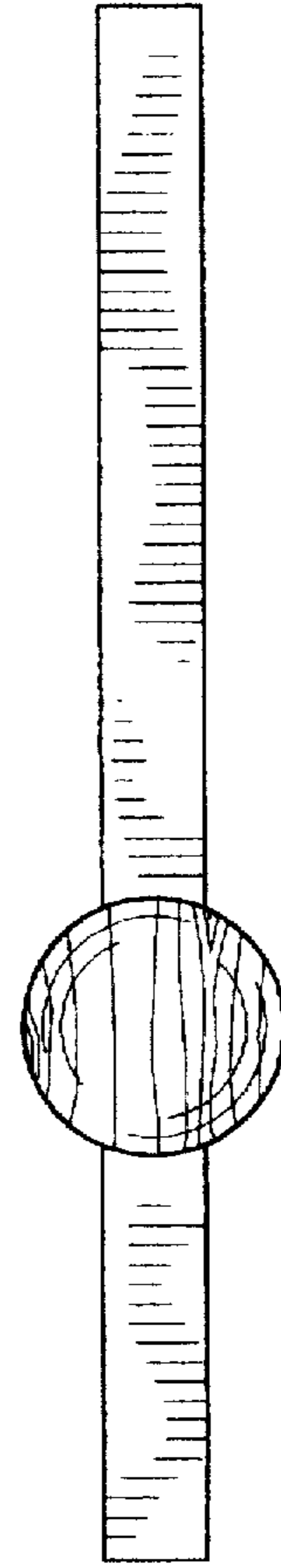


Fig. 4

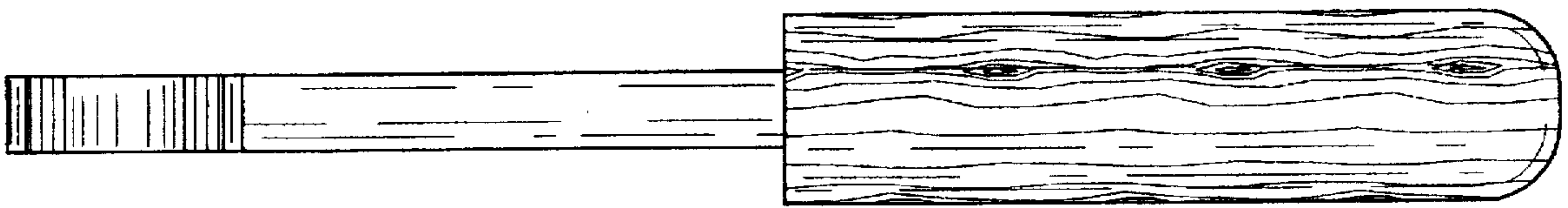


Fig. 5

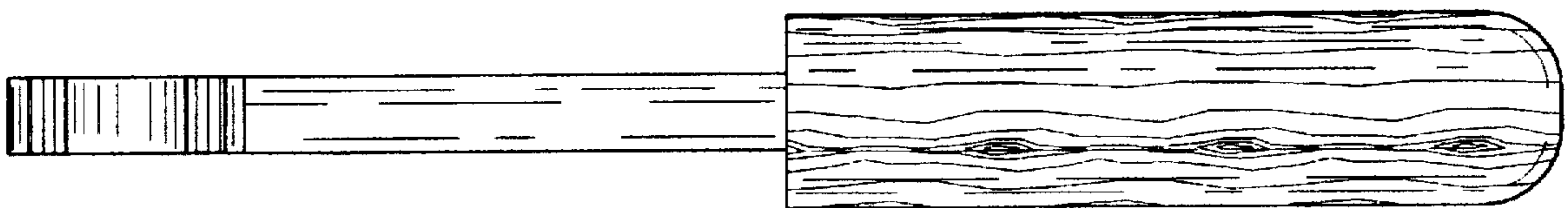


Fig. 6

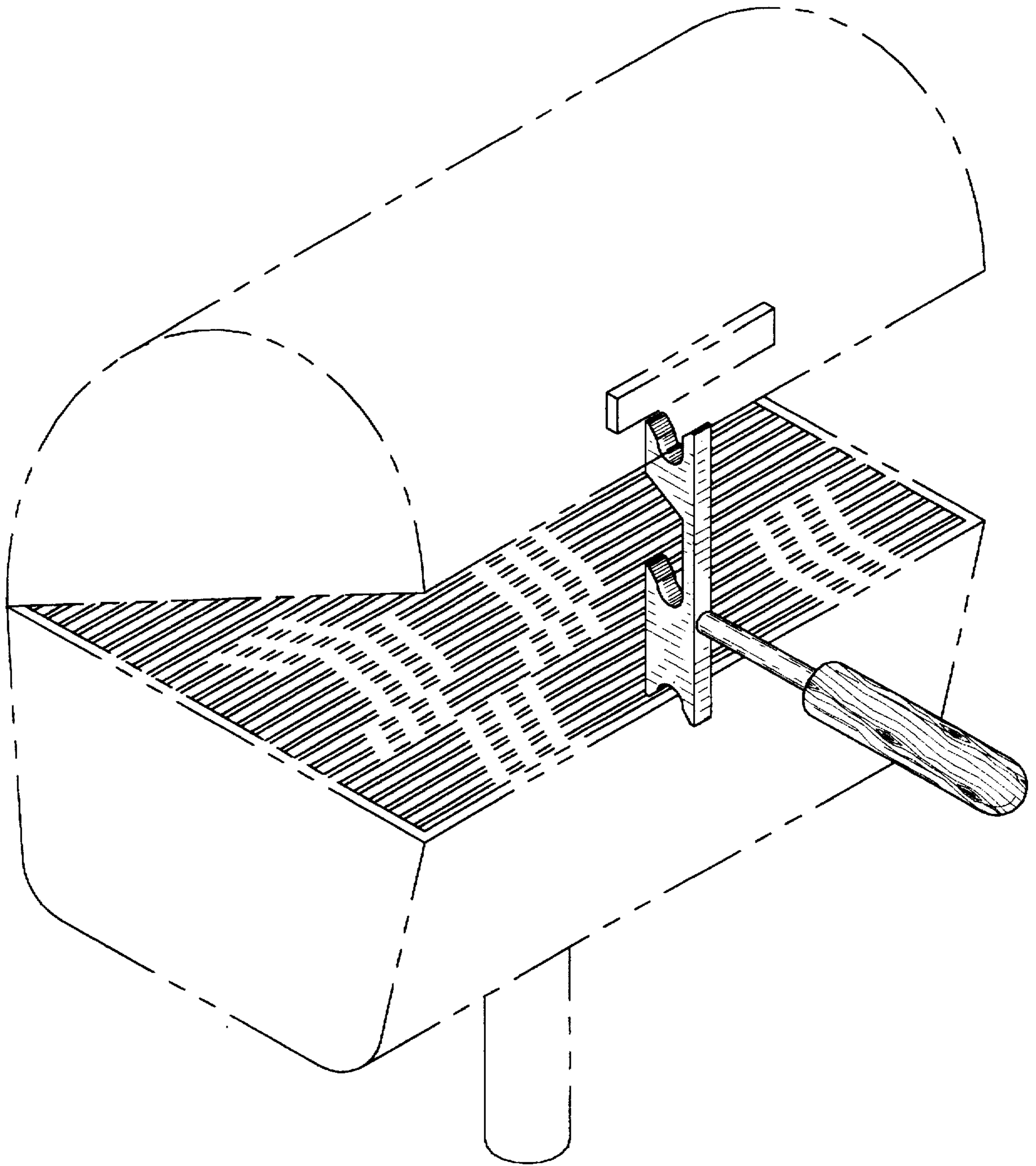


Fig. 7