



US00D396166S

United States Patent [19]

Pavlich

[11] Patent Number: Des. 396,166

[45] Date of Patent: **Jul. 21, 1998

[54] COMBINED OUTDOOR FIREPLACE AND GAS BARBECUE

[76] Inventor: Mario Pavlich, 282 Springside Dr., Hamilton, Ontario, Canada, L9B 1N1

[**] Term: 14 Years

[21] Appl. No.: 58,357

[22] Filed: Aug. 12, 1996

[51] LOC (6) Cl. 09-02

[52] U.S. Cl. D7/333; D23/345

[58] Field of Search D7/332-337, 403-404; 126/25 R, 25 A, 25 AA, 29, 30, 500, 505, 506, 8, 39 R, 39 C, 19 R; D23/343, 345

[56] References Cited

U.S. PATENT DOCUMENTS

113,150	3/1871	Ewing	D7/333
D. 143,927	2/1946	Meinecke	D23/345
D. 154,877	8/1949	Reichelderfer	D7/332
D. 158,949	6/1950	Ferrin	D7/333
D. 173,983	2/1955	Janssen	D7/333
D. 193,537	9/1962	Sunukjian	D7/333
D. 212,656	11/1968	Ihde	D7/332
D. 222,569	11/1971	Ford	D7/333

D. 265,499	7/1982	Bartsch	D23/345
D. 272,885	3/1984	Famiglietti	D7/333
D. 285,161	8/1986	Cairns	D7/334
D. 296,818	7/1988	Vauhkonan	D23/345
D. 301,107	5/1989	Rocco	D7/332
D. 303,061	8/1989	Fountain, Sr.	D7/332
2,520,067	8/1950	Sagen	D7/333
2,787,260	4/1957	Williams	D7/333
2,968,301	1/1961	Cowart	D7/333
4,336,788	6/1982	Stein	D7/333
4,702,224	10/1987	Griffith	D7/333

Primary Examiner—Ruth McInroy

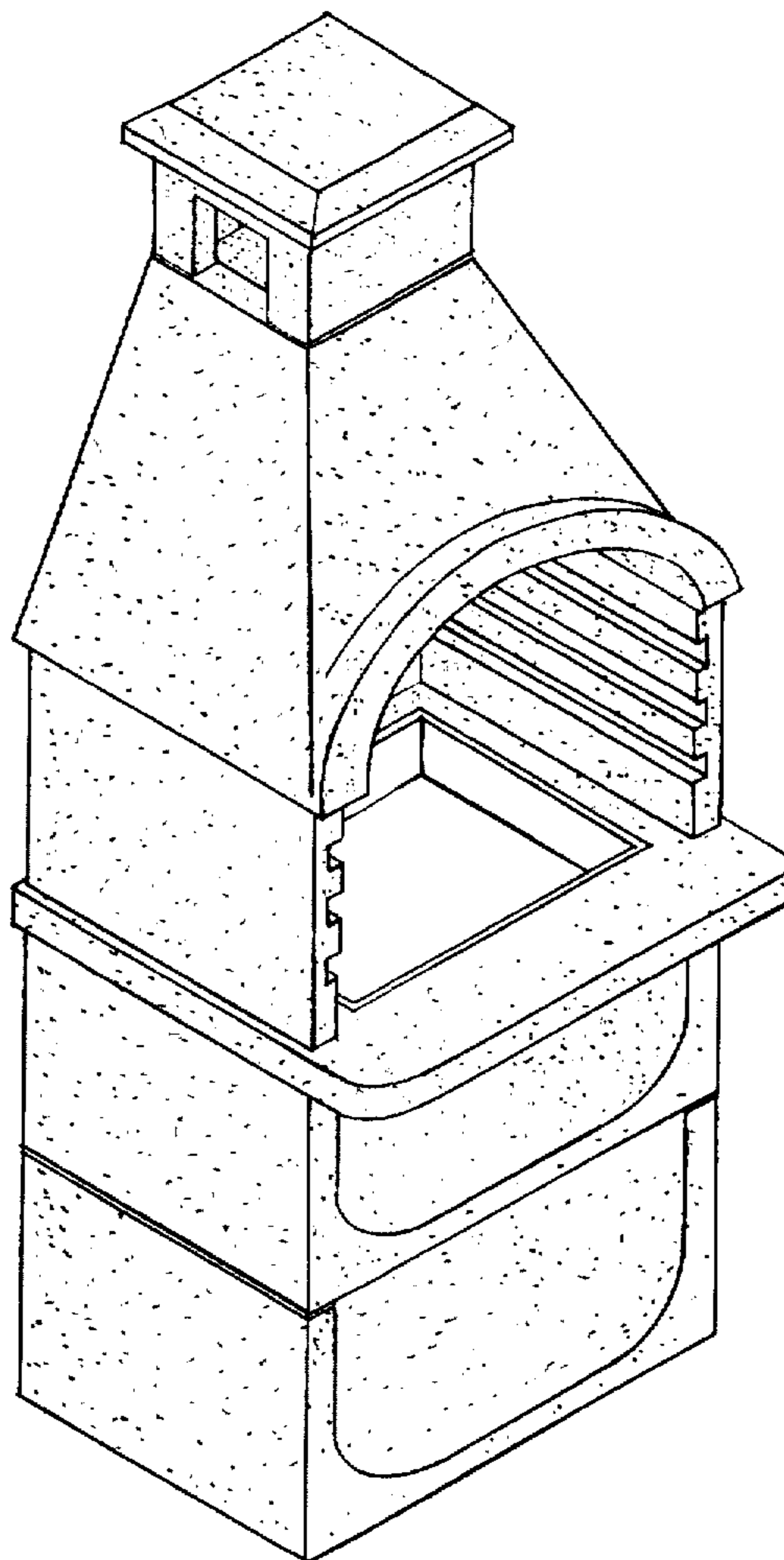
[57] CLAIM

The ornamental design for a combined outdoor fireplace and gas barbecue, as shown and described.

DESCRIPTION

FIG. 1 is a front elevation view of combined outdoor fireplace and gas barbecue grill showing my new design; FIG. 2 is a side elevation view thereof, the opposite side being a mirror image; FIG. 3 is a back perspective view thereof; FIG. 4 is a front perspective view thereof; FIG. 5 is the top plan view thereof; and, FIG. 6 is the back elevation view thereof.

1 Claim, 5 Drawing Sheets



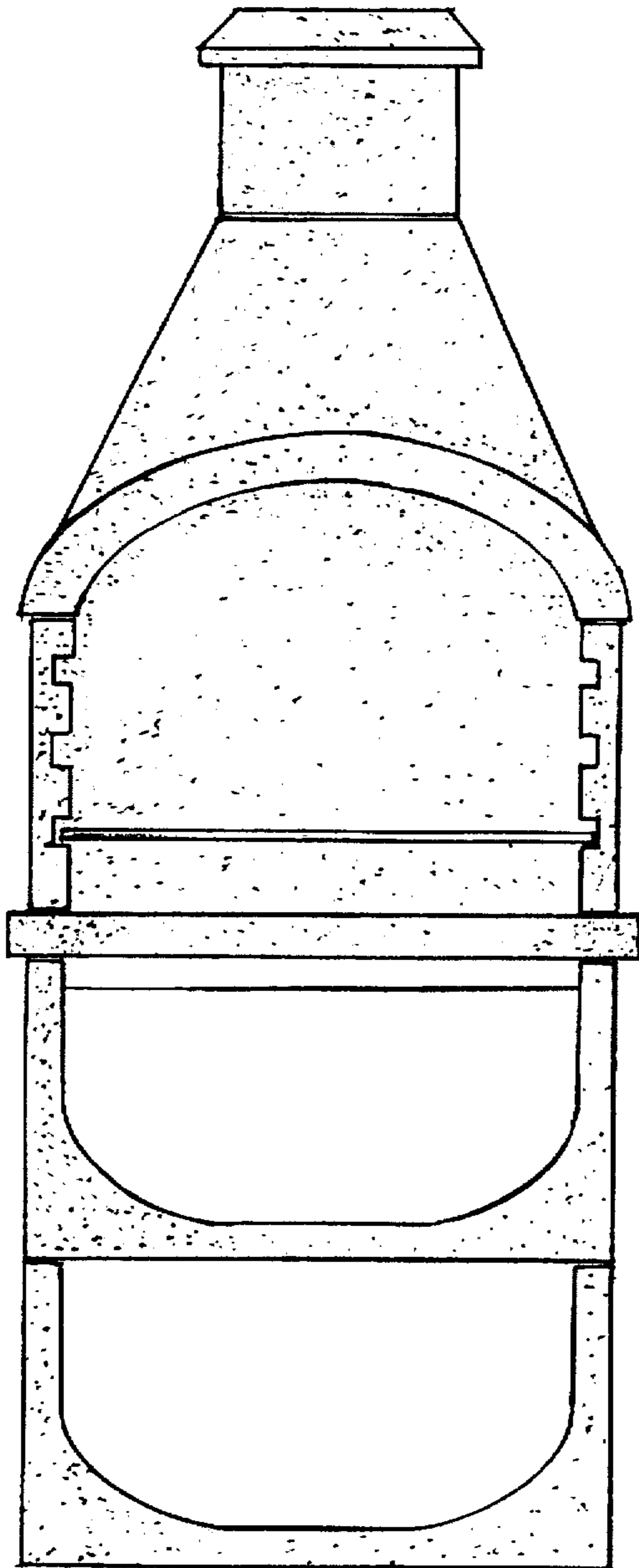


FIG. 1

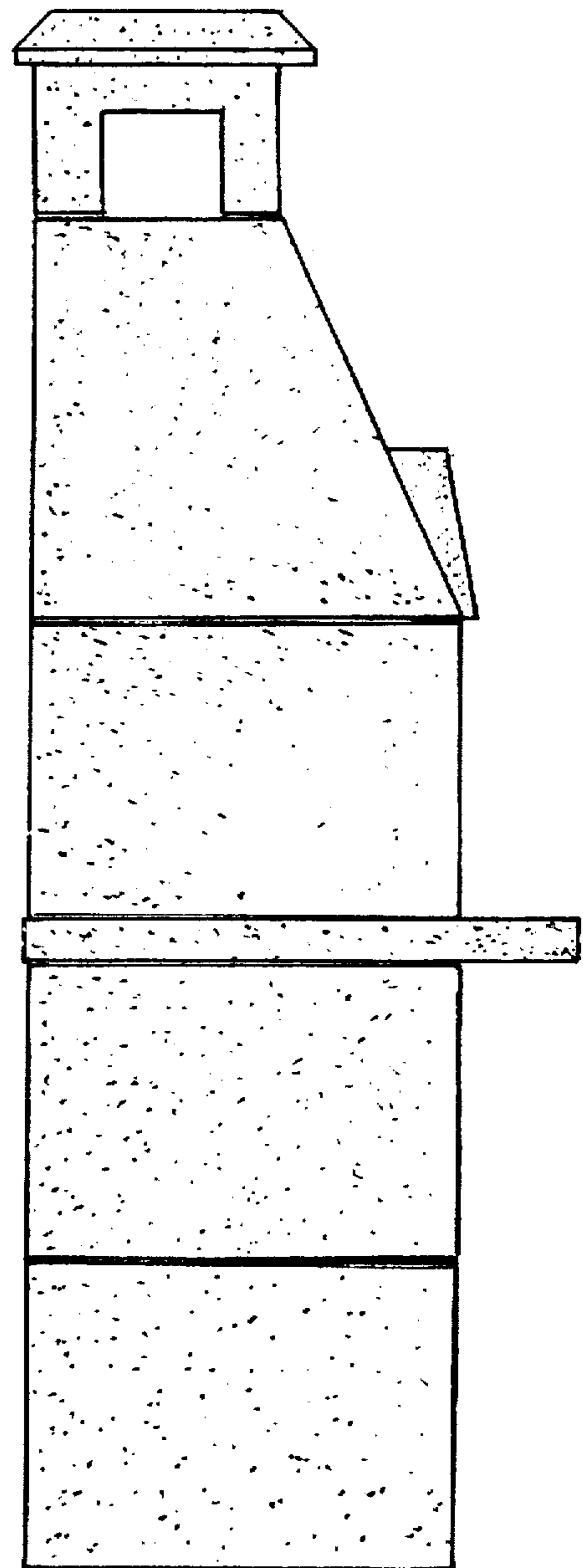


FIG. 2

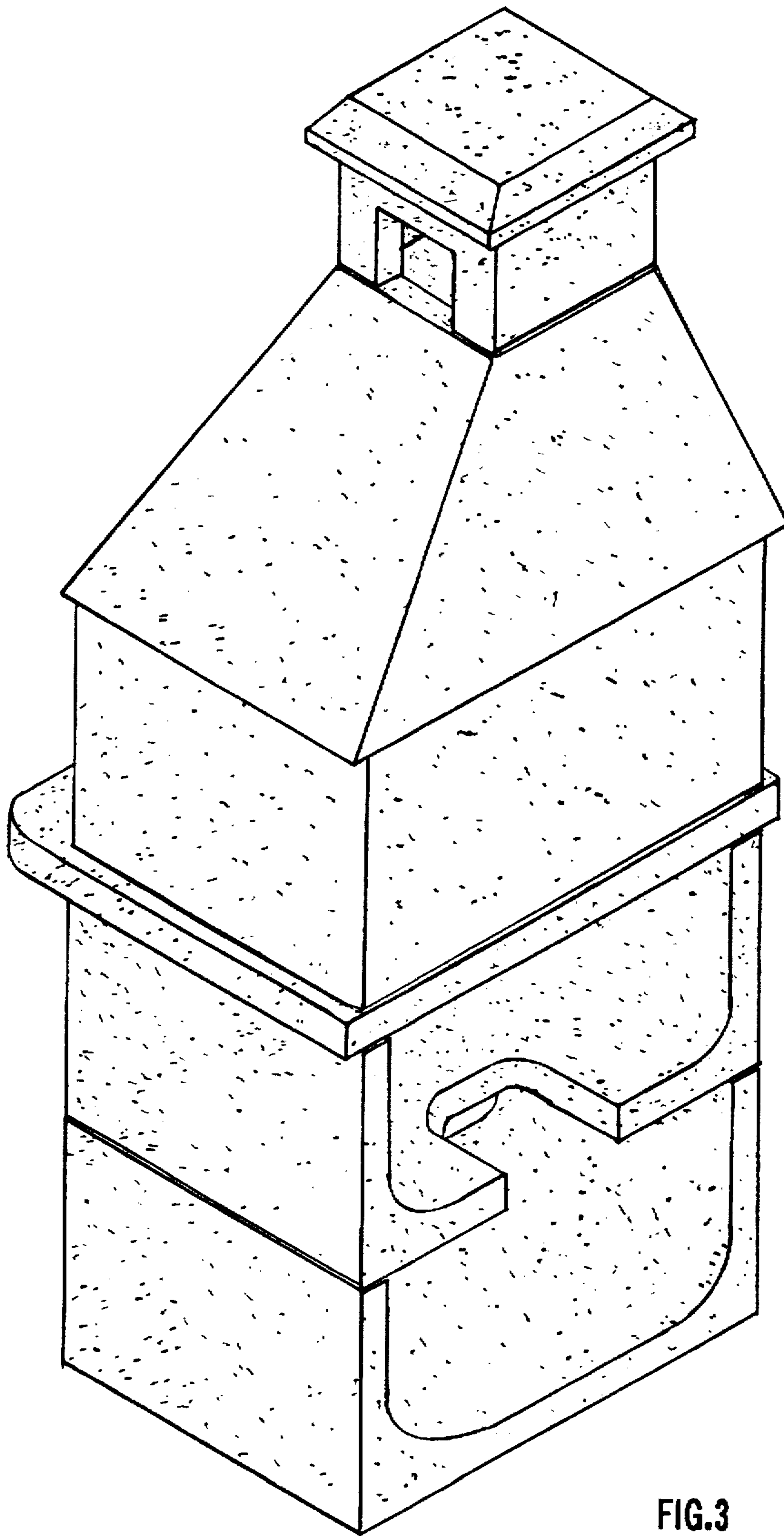


FIG.3

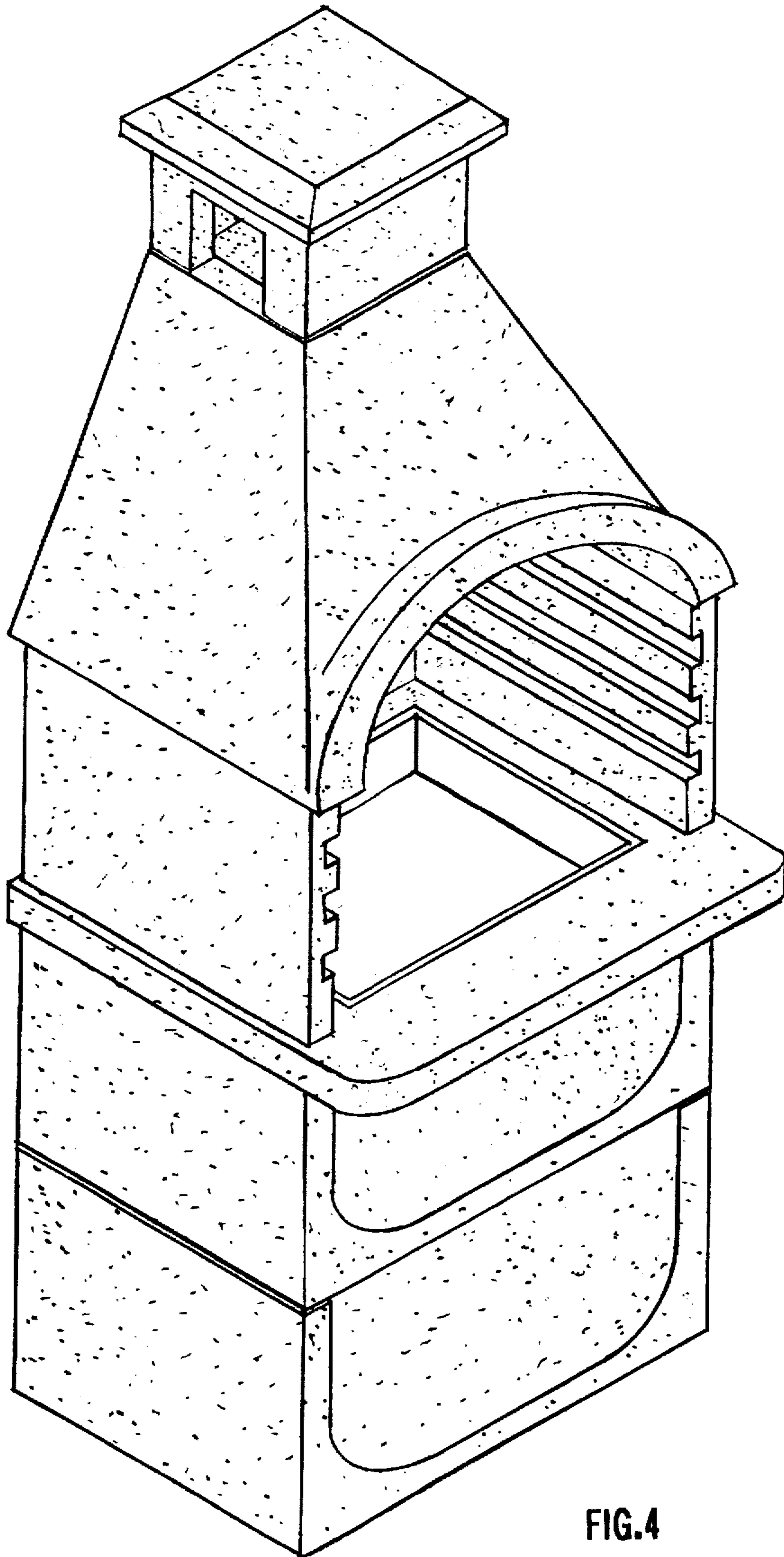


FIG.4

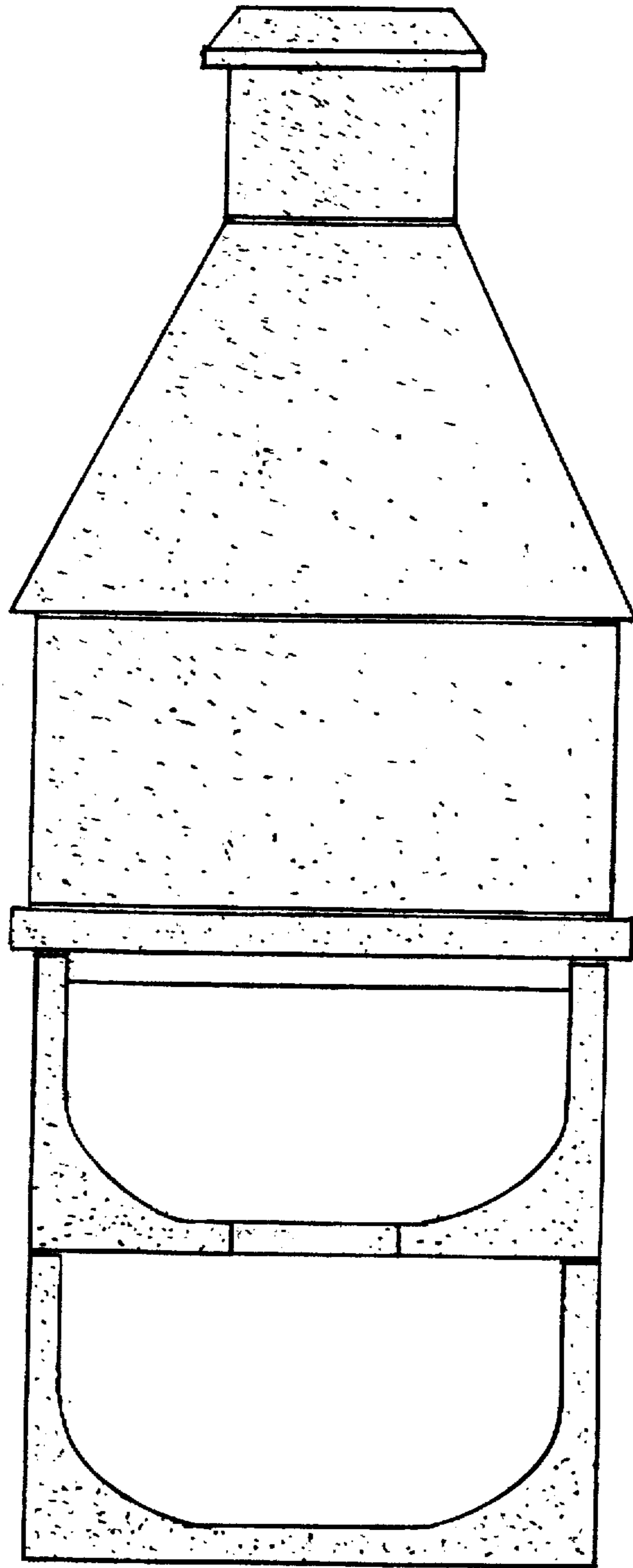


FIG. 5

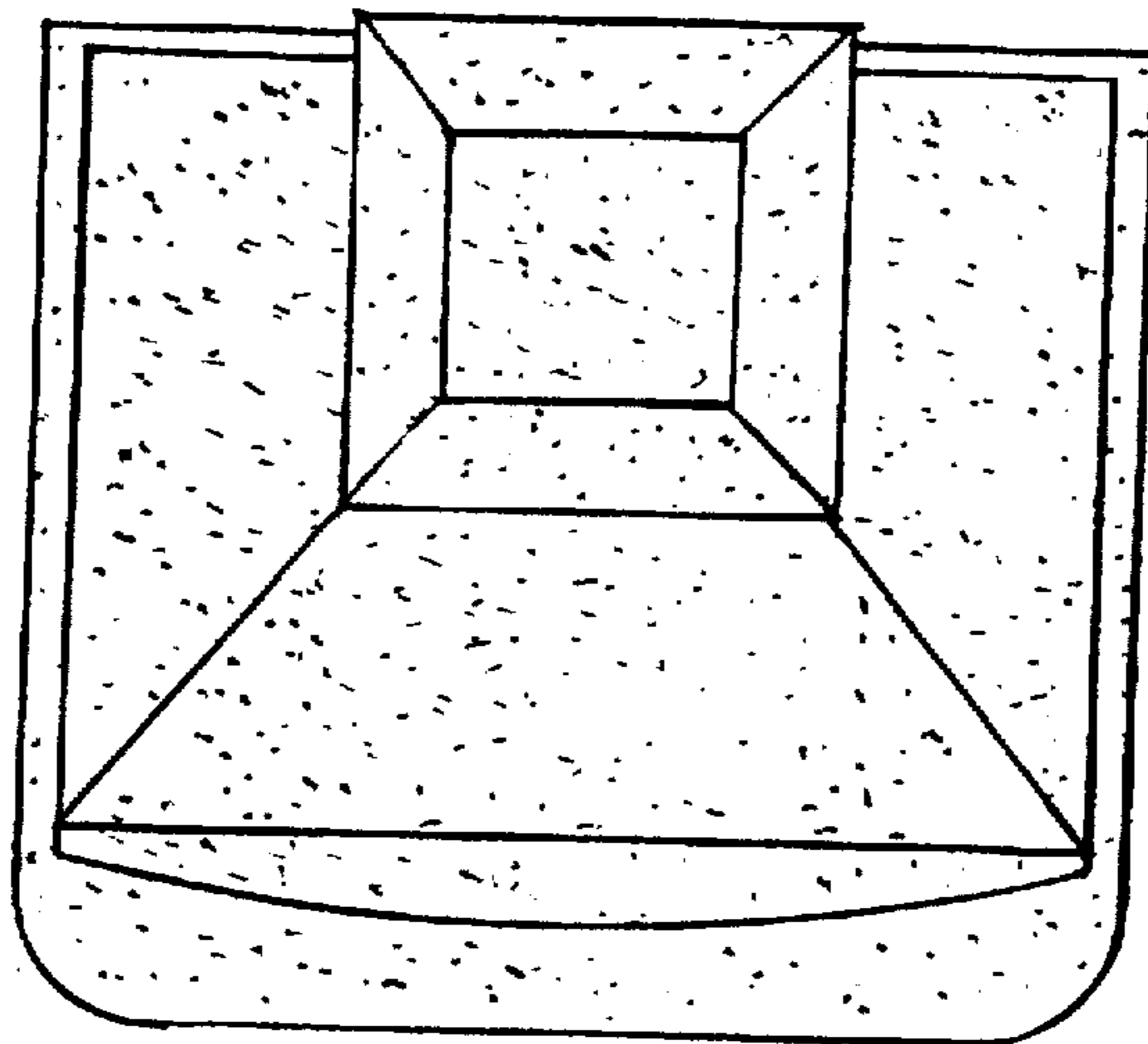


FIG.6