



US00D396164S

United States Patent [19]

Stutzer et al.

[11] Patent Number: Des. 396,164

[45] Date of Patent: **Jul. 21, 1998

[54] TOASTER

[75] Inventors: **Franz Alban Stutzer**, Offenbach am Main; **Bernd Figur**, Schaaheim-Schlierbach, both of Germany

[73] Assignee: **SEB**, Selongey, France

[**] Term: 14 Years

[21] Appl. No.: 75,887

[22] Filed: Jul. 17, 1997

[51] LOC (6) Cl. 07-02

[52] U.S. Cl. D7/330

[58] Field of Search D7/323, 328-330, D7/390; 99/327, 341, 342, 385, 389, 391, 392

[56] References Cited

U.S. PATENT DOCUMENTS

D. 209,362	11/1967	Sutton et al.	D7/330
D. 244,341	5/1977	Hanson et al.	D7/330
D. 316,006	4/1991	Gebhardt	D7/330

Primary Examiner—Caron D. Veynar

Attorney, Agent, or Firm—Pillsbury Madison & Sutro

[57] CLAIM

The ornamental design for a toaster, as shown and described.

DESCRIPTION

FIG. 1 is a front elevational view of a toaster showing our new design;

FIG. 2 is a rear elevational view thereof;

FIG. 3 is a top plan view thereof;

FIG. 4 is a bottom plan view thereof;

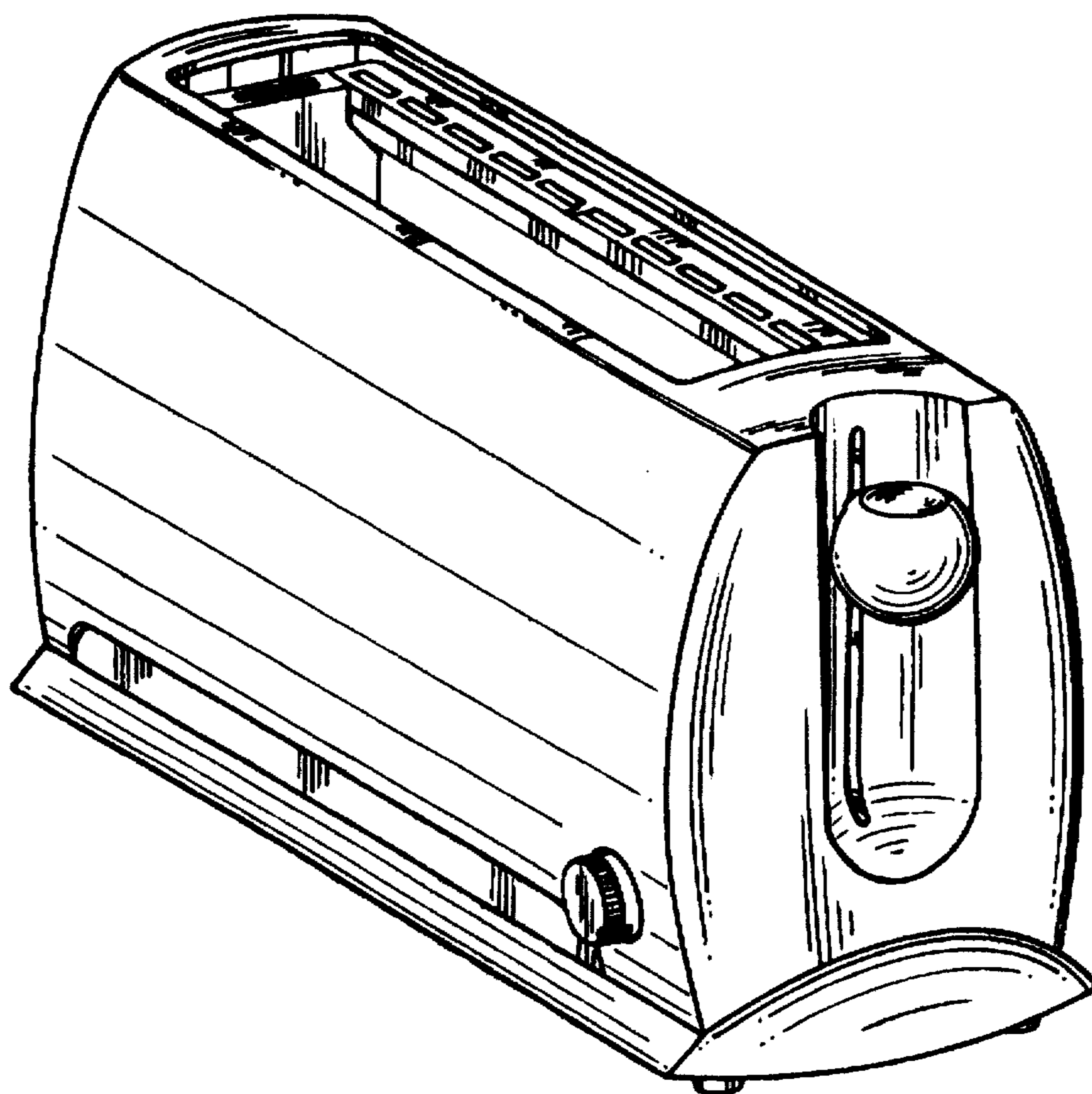
FIG. 5 is a left side elevational view thereof;

FIG. 6 is a right side elevational view thereof; and,

FIG. 7 is a perspective view thereof.

The design is characterized by the shape of the toaster, the casing of which is characterized by a pair of opposite ellipsoidal long side walls. The top surface presents a rectangular hollow. At the right side of this toaster, there is one button in the form of a ball for lowering bread. In the front of the toaster, at right, there is one round button for the thermostat. The lower part of the casing exhibits an elongated through-aperture, which opens in a longitudinal groove in each side face of the middle casing, to allow the evacuation of crumbs.

1 Claim, 4 Drawing Sheets



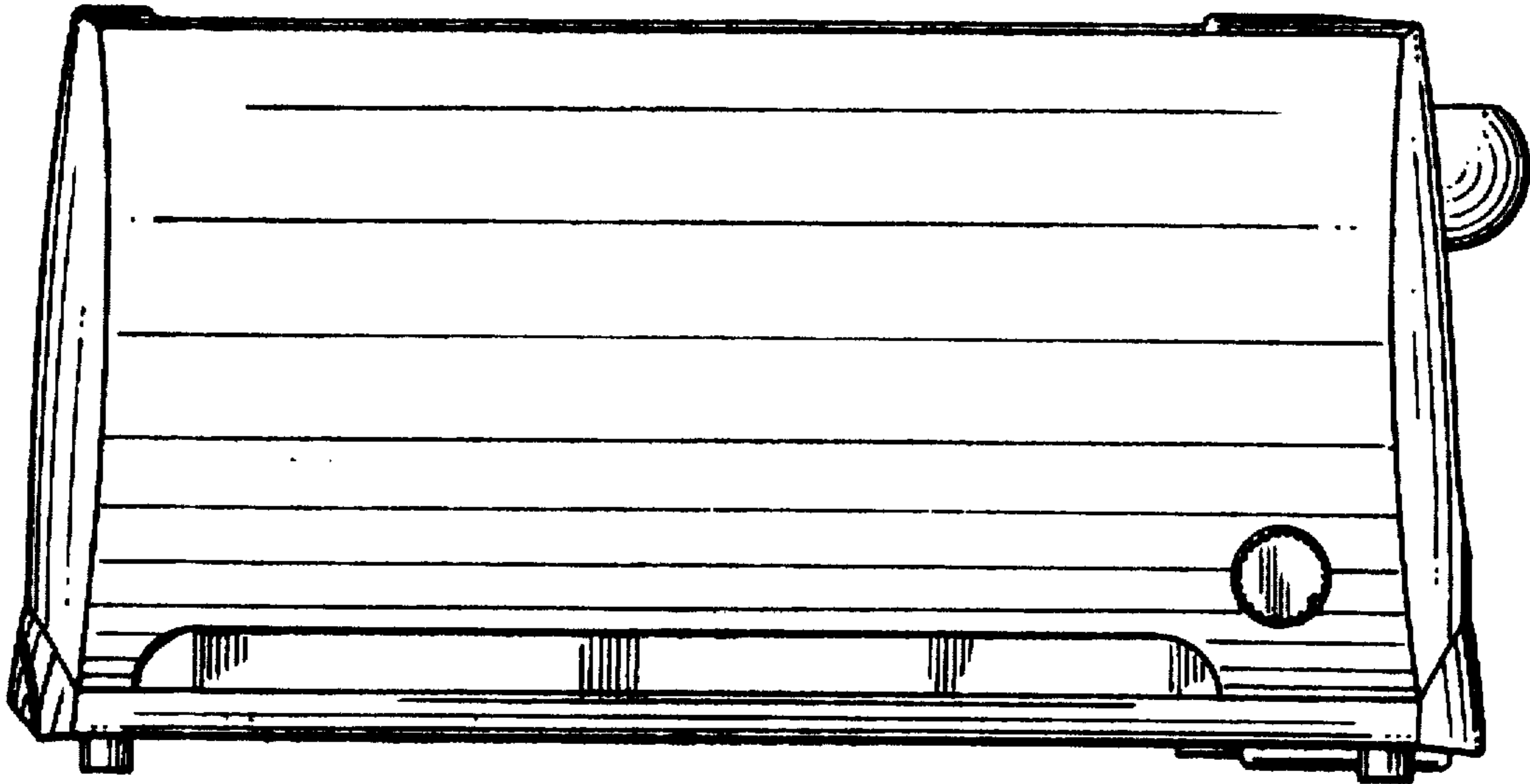


FIG. 1

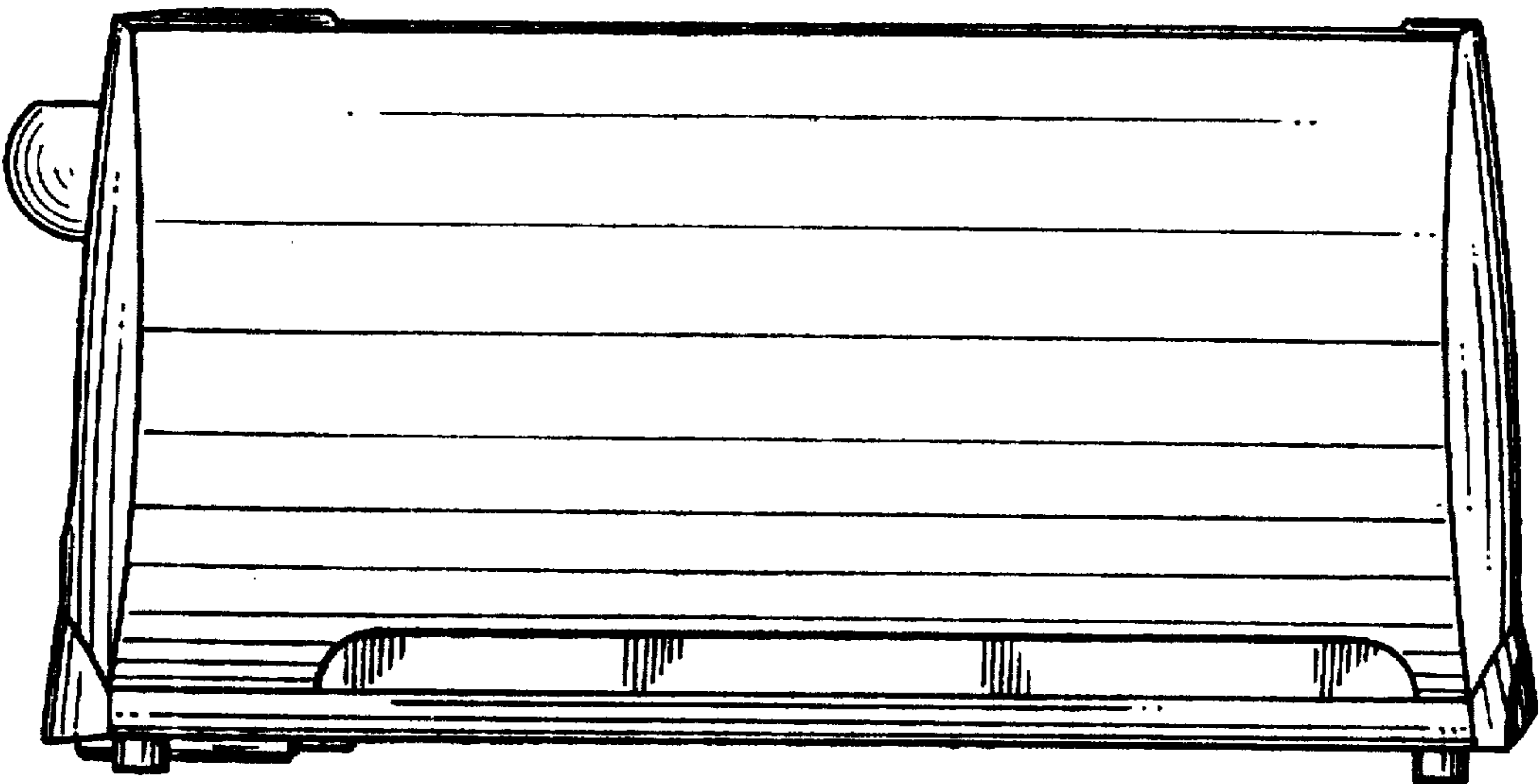


FIG. 2

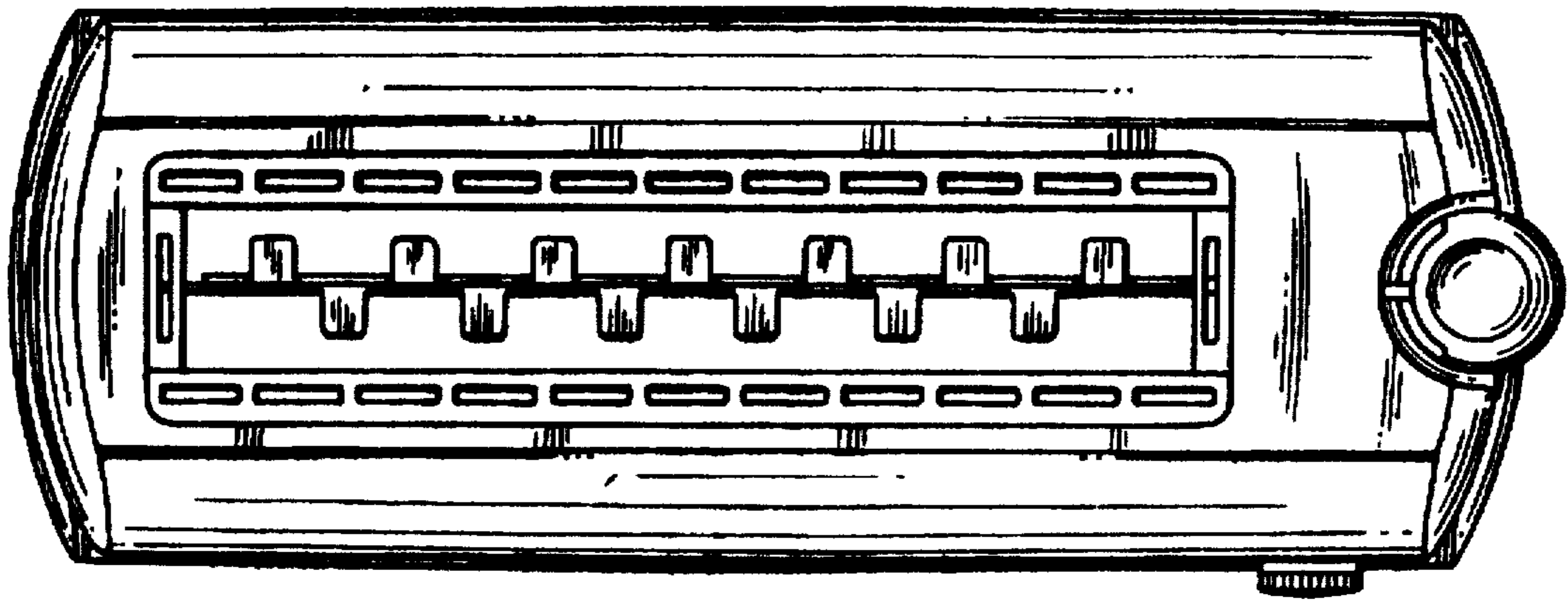


FIG. 3

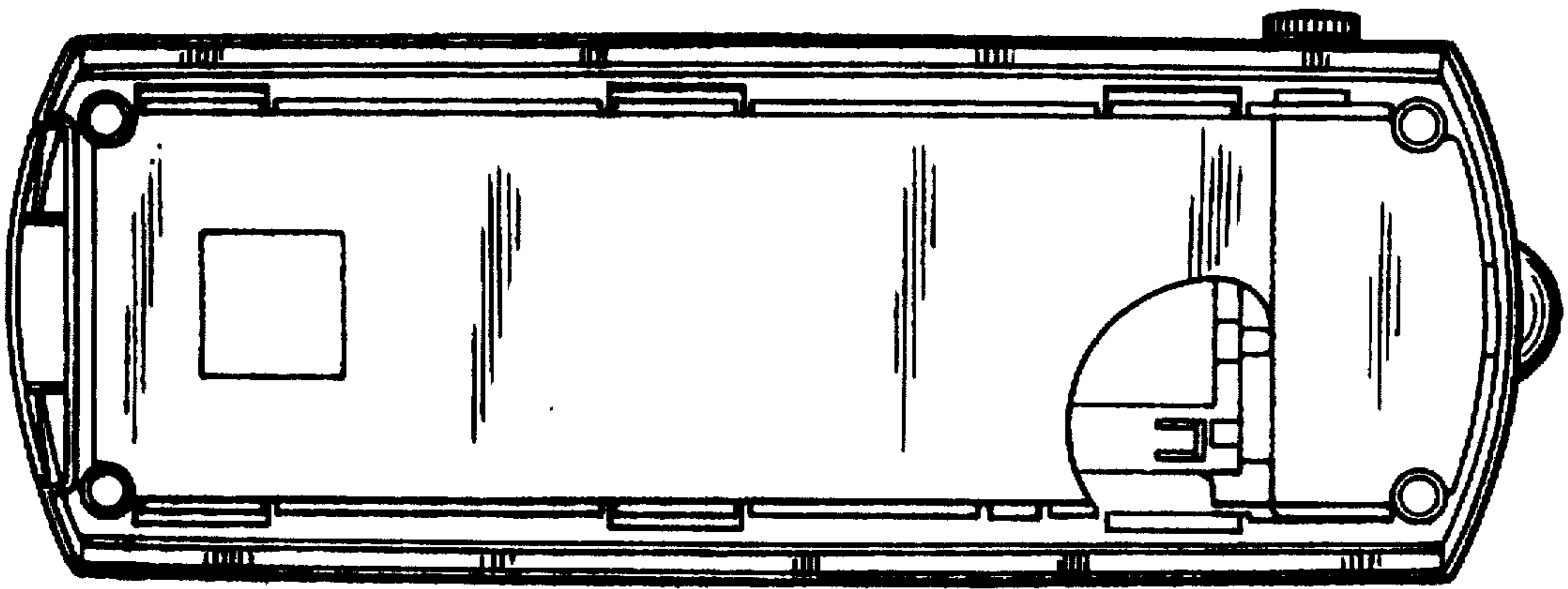


FIG. 4

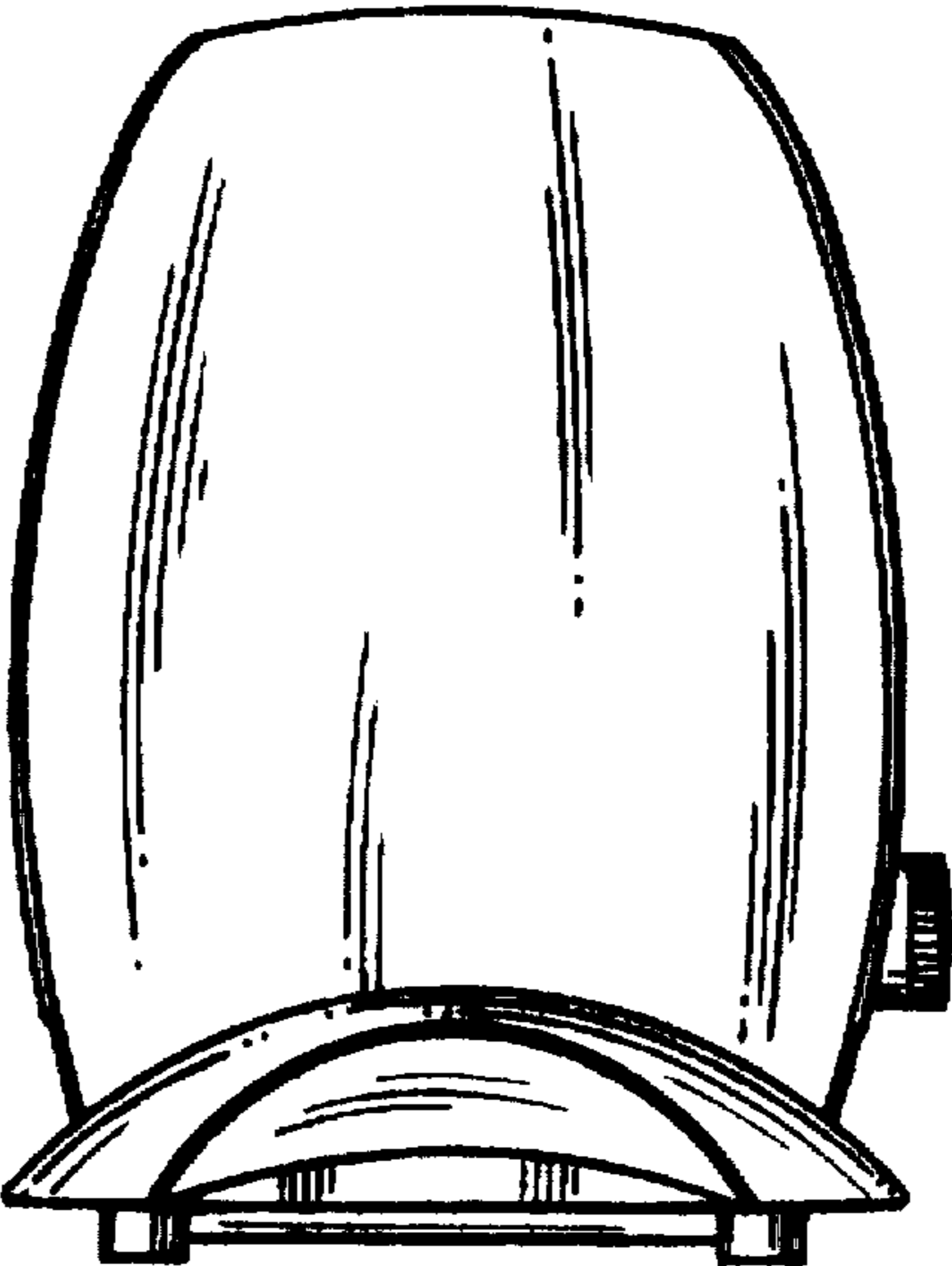


FIG. 5

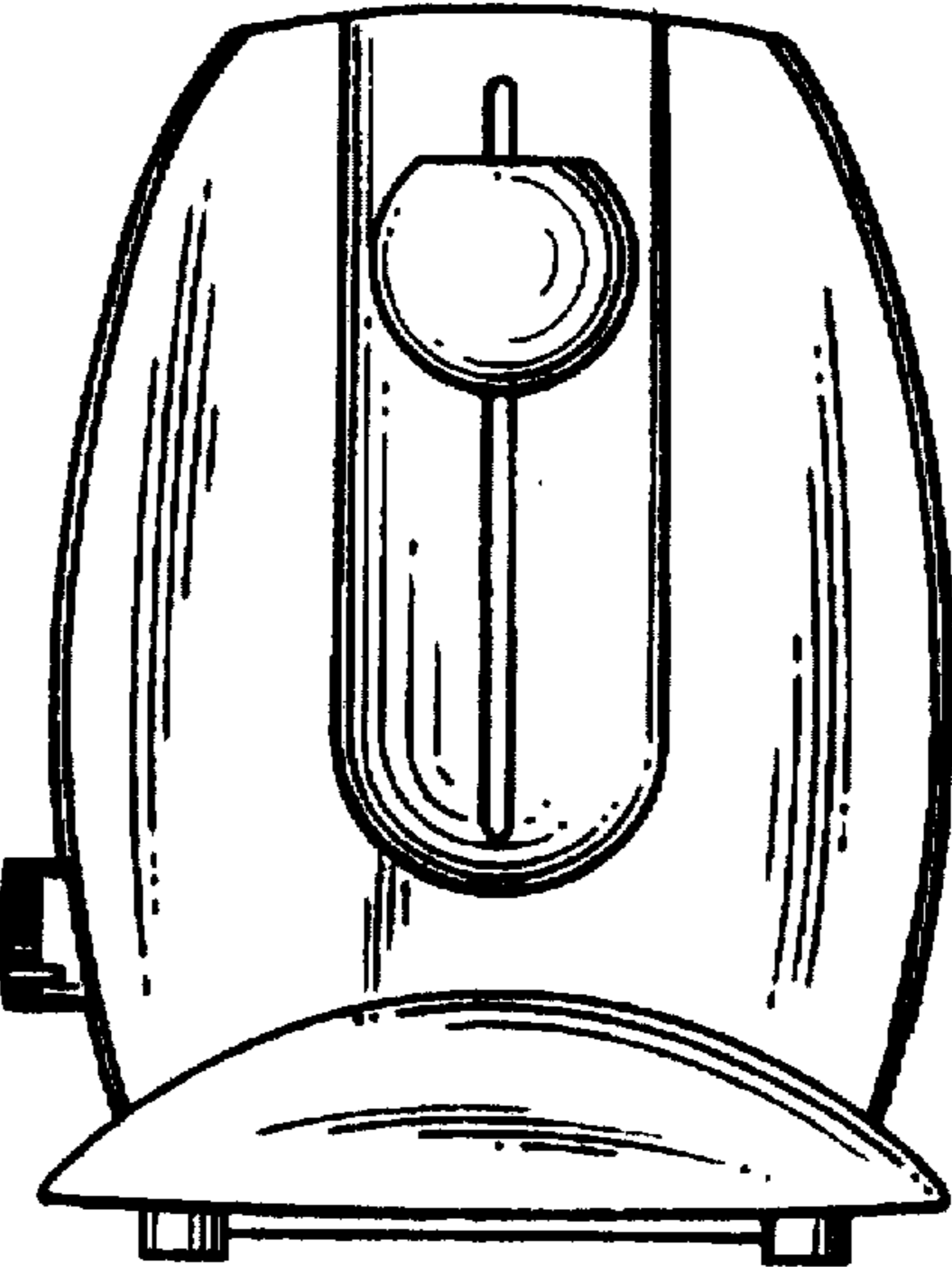


FIG. 6

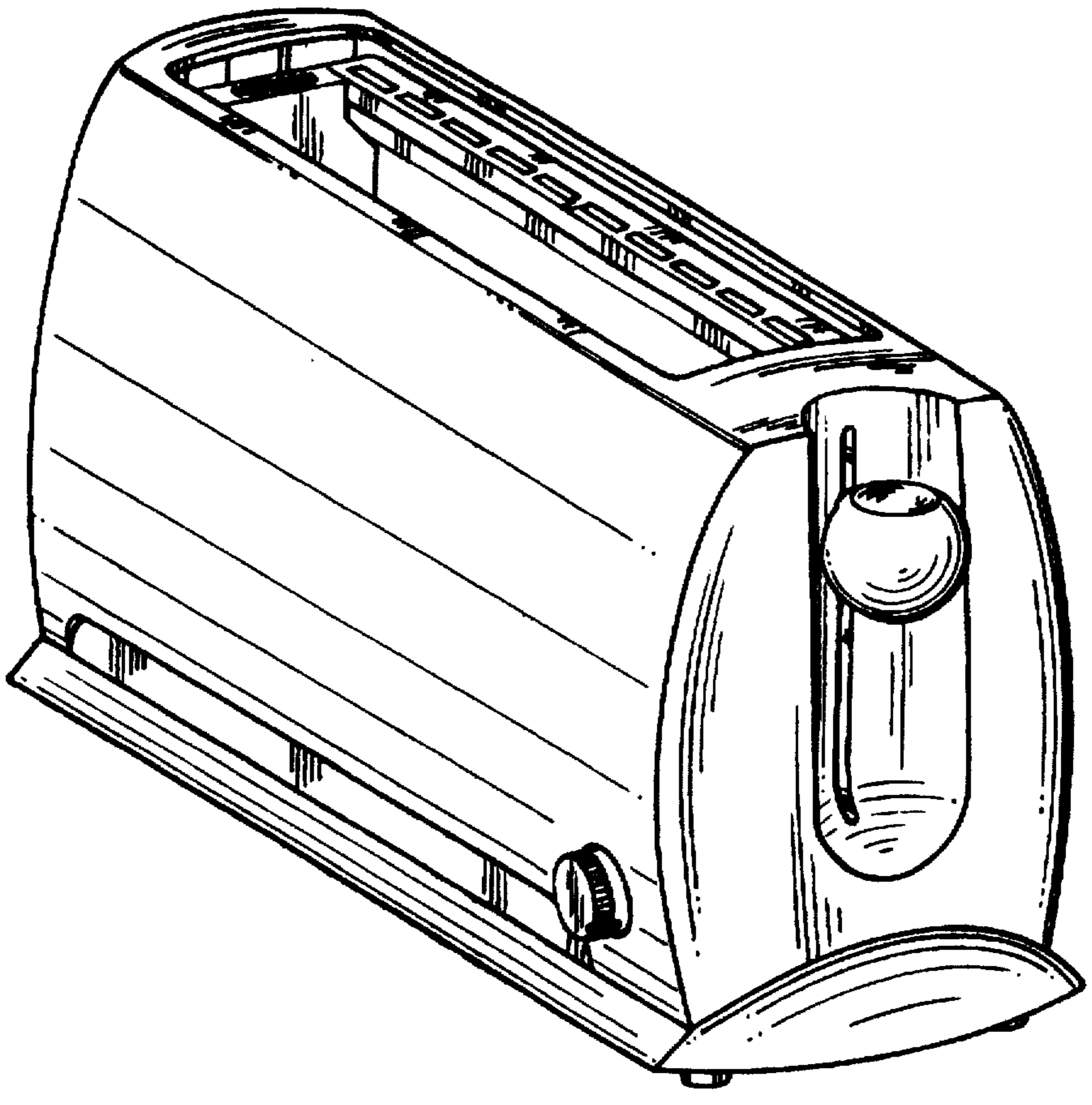


FIG. 7