



US00D396161S

# United States Patent [19] Coglin

[11] Patent Number: Des. 396,161  
[45] Date of Patent: \*\*Jul. 21, 1998

[54] WALL-MOUNTED STORAGE CABINET

4,294,498 10/1981 Van Luit ..... 312/242 X

[76] Inventor: James B. Coglin, 8787 Brae Acres  
#816, Houston, Tex. 77074

Primary Examiner—Pamela Burgess

[\*\*] Term: 14 Years

[57] CLAIM

[21] Appl. No.: 59,579

The ornamental design for a wall-mounted storage cabinet,  
as shown and described.

[22] Filed: Sep. 13, 1996

DESCRIPTION

[51] LOC (6) Cl. .... 06-04

FIG. 1 is a left perspective view of a wall-mounted storage cabinet showing my new design, the undisclosed right perspective view being a mirror image;

[52] U.S. Cl. .... D6/574

FIG. 2 is a left perspective view of a second embodiment thereof, the undisclosed right perspective view being a mirror image;

[58] Field of Search ..... D6/552, 553, 567,  
D6/569, 574; 211/134-135, 186-188; 312/114,  
117, 119, 122, 126, 128, 129, 242; 108/33;  
D25/136

FIG. 3 is a left perspective view of a third embodiment thereof, the undisclosed right perspective view being a mirror image; and,

[56] References Cited

FIG. 4 is a front elevational view of the second embodiment shown in FIG. 2.

U.S. PATENT DOCUMENTS

D. 141,750	7/1945	Coates	.....	D6/553
622,284	4/1899	Snyder	.....	312/242
1,876,407	9/1932	Frazier	.....	312/242 X
2,069,635	2/1937	Whenham	.....	312/242 X
2,070,641	2/1937	Bartels	.....	312/242 X

The broken lines shown depicting a wall structure around FIGS. 1-3 is for illustrative purposes only and forms no part of the claimed design.

1 Claim, 2 Drawing Sheets

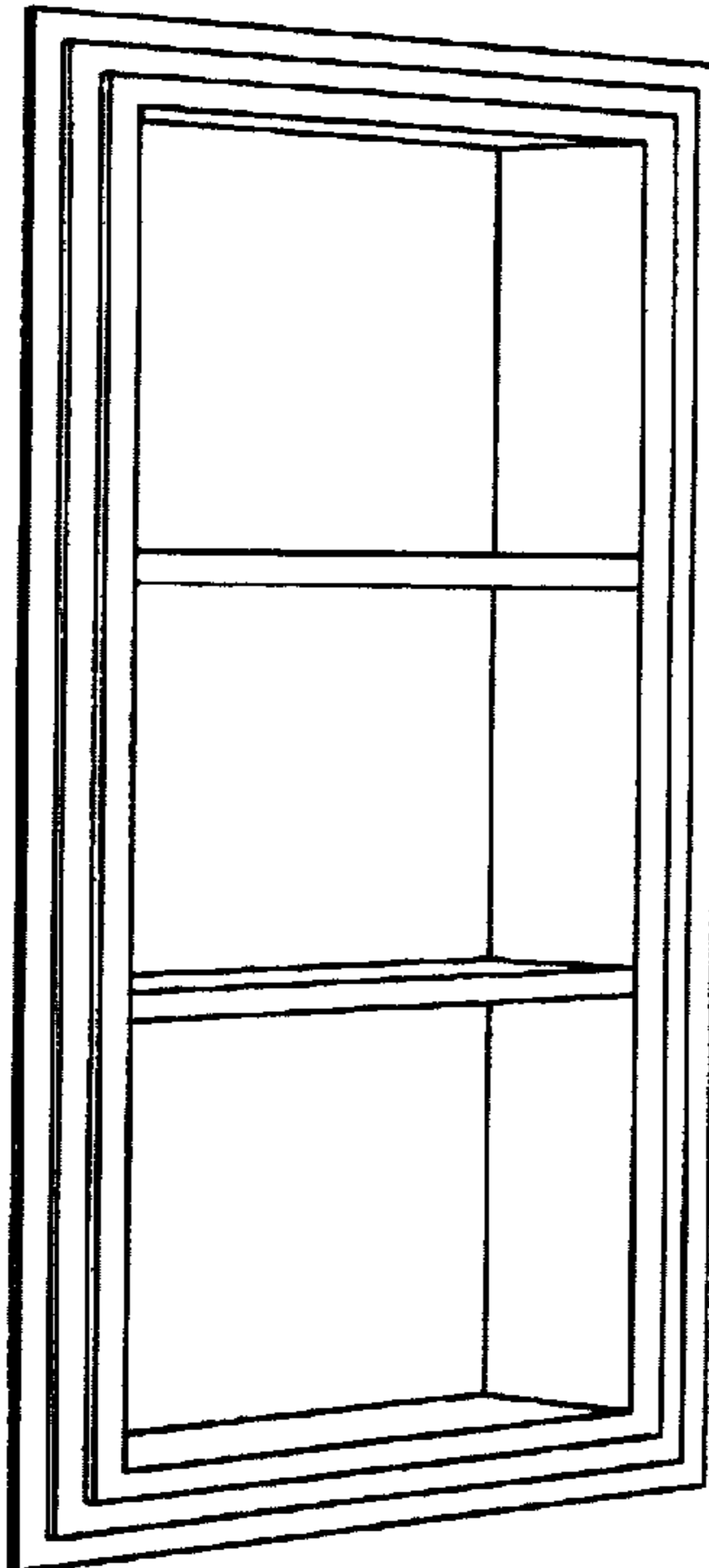


FIG. 1

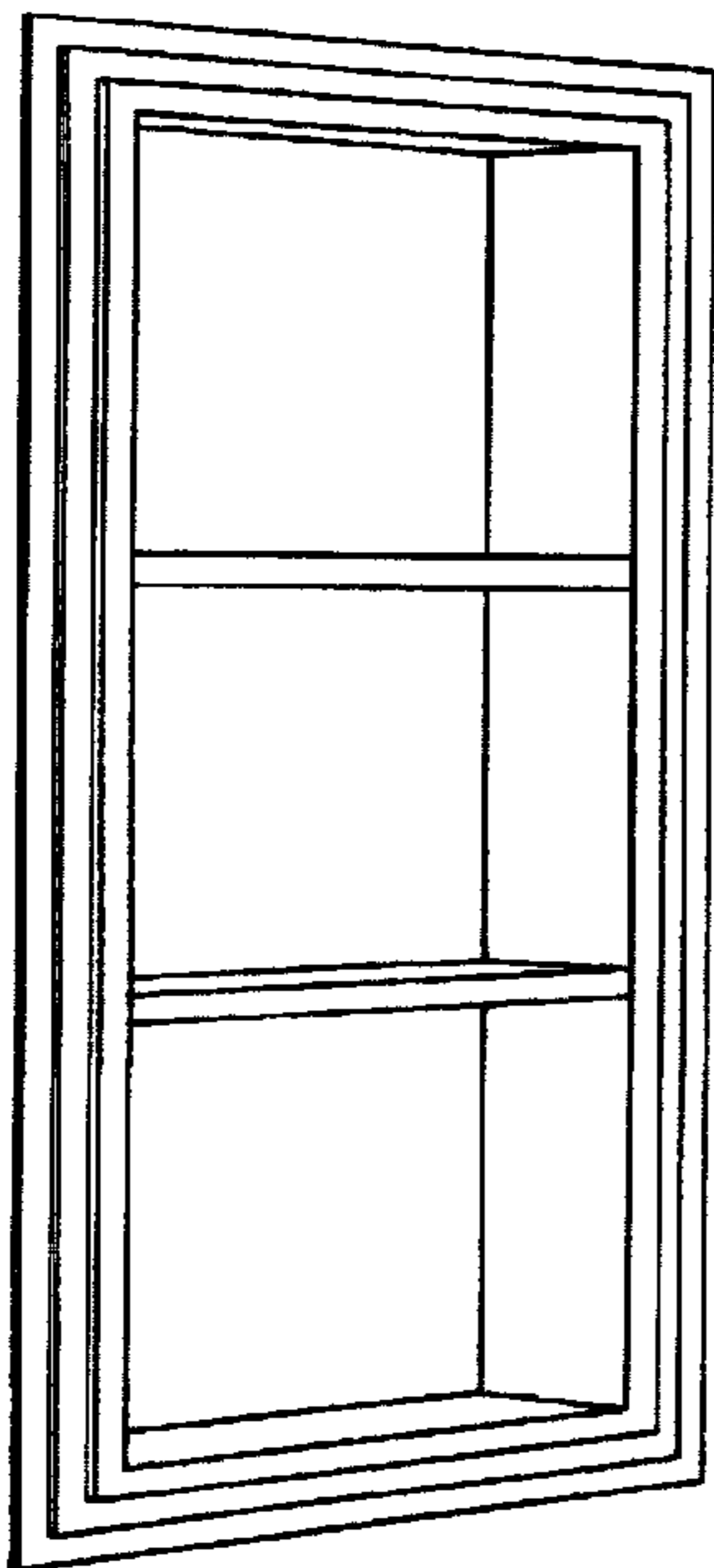


FIG. 2

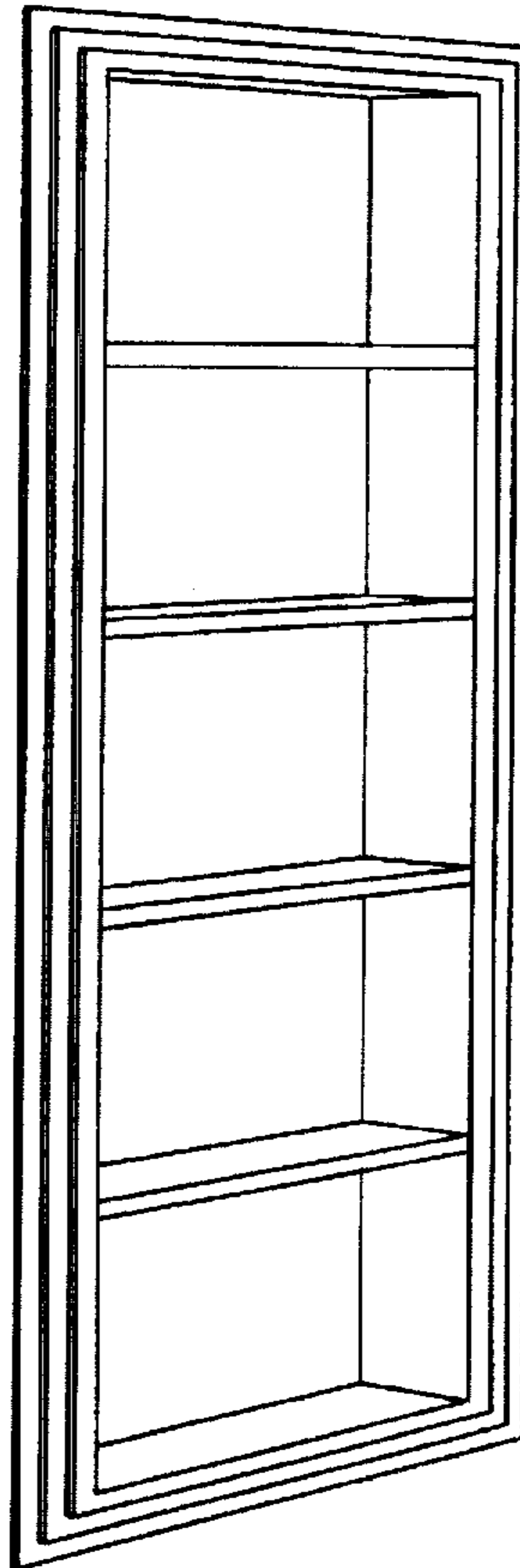
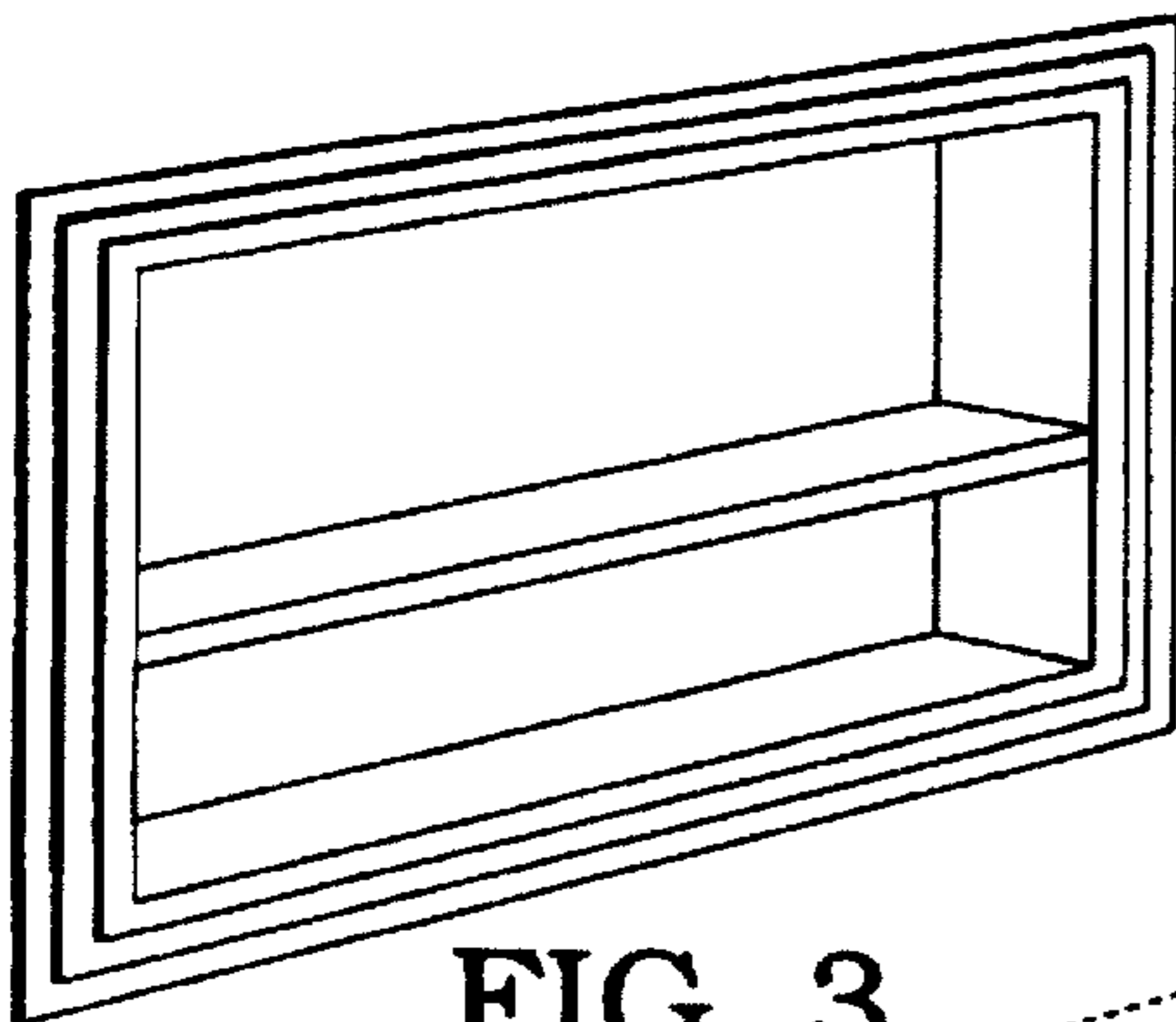


FIG. 3



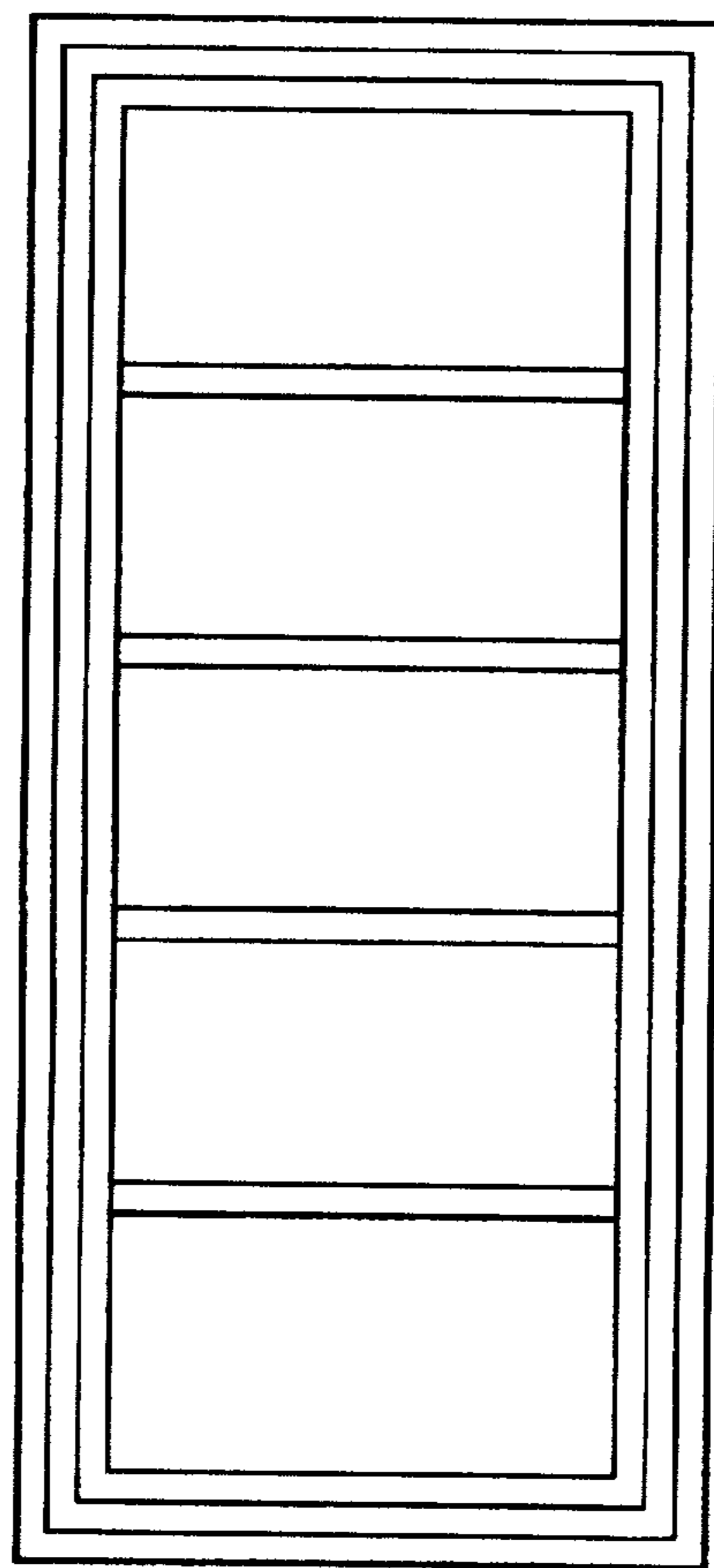


FIG. 4