



US00D396159S

# United States Patent [19]

Anderson et al.

[11] Patent Number: **Des. 396,159**

[45] Date of Patent: **\*\*Jul. 21, 1998**

[54] **GARDEN TOOL ORGANIZER**

[75] Inventors: **Torrence C. Anderson; Terry A. Tyra,**  
both of Aurora, Ill.

[73] Assignee: **Suncast Corporation, Batavia, Ill.**

[\*\*] Term: **14 Years**

[21] Appl. No.: **59,927**

[22] Filed: **Sep. 18, 1996**

[51] LOC (6) Cl. .... **06-04**

[52] U.S. Cl. .... **D6/553**

[58] Field of Search ..... D6/567, 552, 553,  
D6/572, 574, 457, 411; 211/60.1, 70.6,  
70.7, 65-66, 68, 20.7; D3/228

[56] **References Cited**

**U.S. PATENT DOCUMENTS**

- D. 180,106 4/1957 Seifert ..... 211/70.6 X
- D. 241,391 9/1976 Weisenfeld et al. .... D6/552

- D. 241,392 9/1976 Taylor ..... D6/574 X
- D. 304,986 12/1989 Rourke ..... D6/574
- D. 340,606 10/1993 Hubbard ..... D6/567

*Primary Examiner—Pamela Burgess*  
*Attorney, Agent, or Firm—McHale & Slavin*

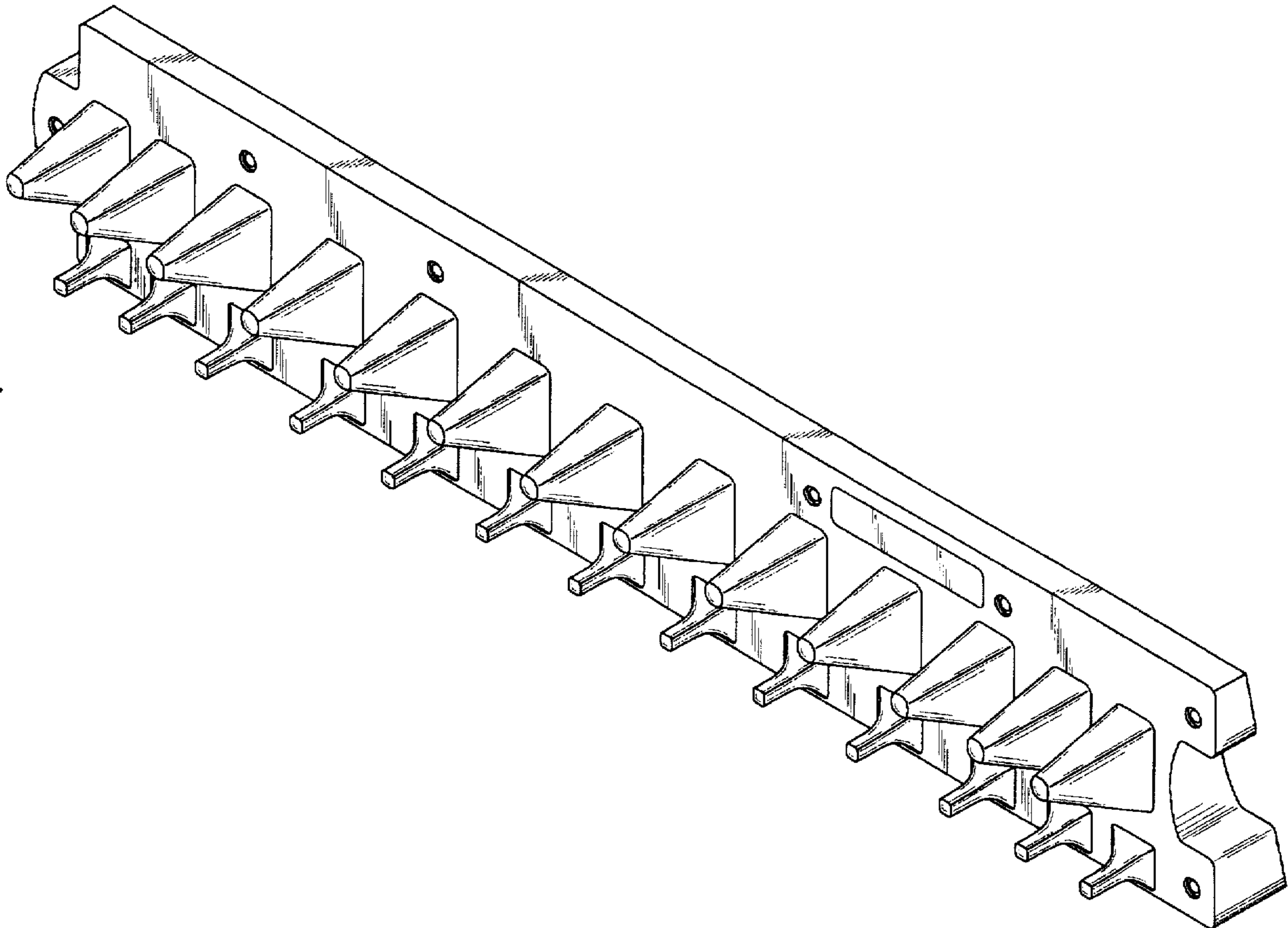
[57] **CLAIM**

The ornamental design for a garden tool organizer, as shown and described.

**DESCRIPTION**

FIG. 1 is a top perspective view of a garden tool organizer showing my new design;  
FIG. 2 is a front elevational view thereof;  
FIG. 3 is a top plan view thereof;  
FIG. 4 is a right side elevational view thereof;  
FIG. 5 is a left side elevational view thereof;  
FIG. 6 is a rear elevational view thereof; and,  
FIG. 7 is a bottom plan view thereof.

**1 Claim, 3 Drawing Sheets**



*FIG. 1*

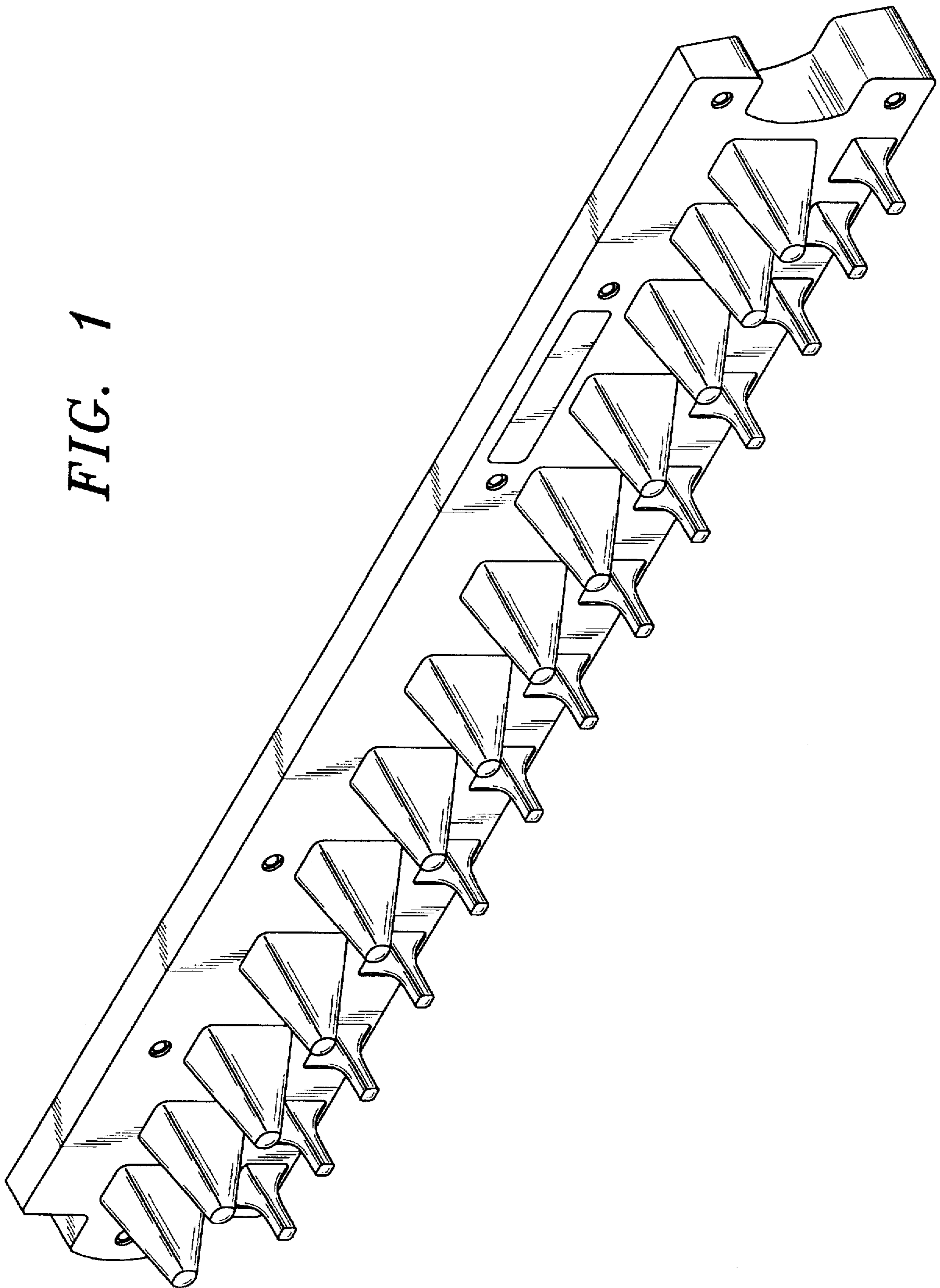


FIG. 3

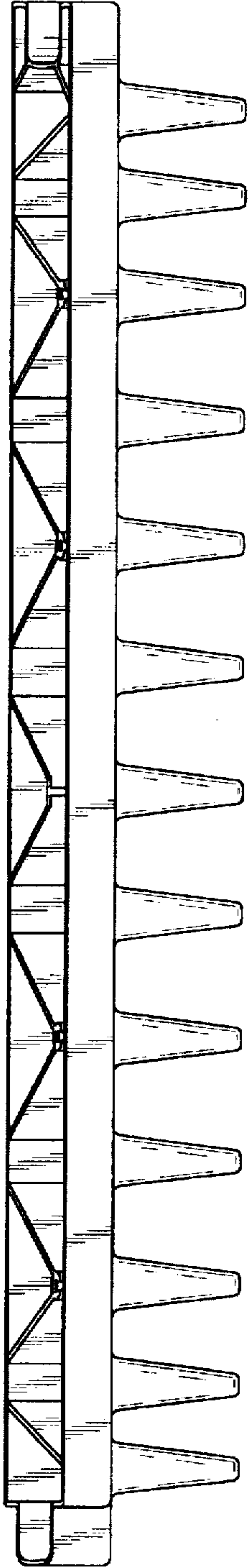


FIG. 2

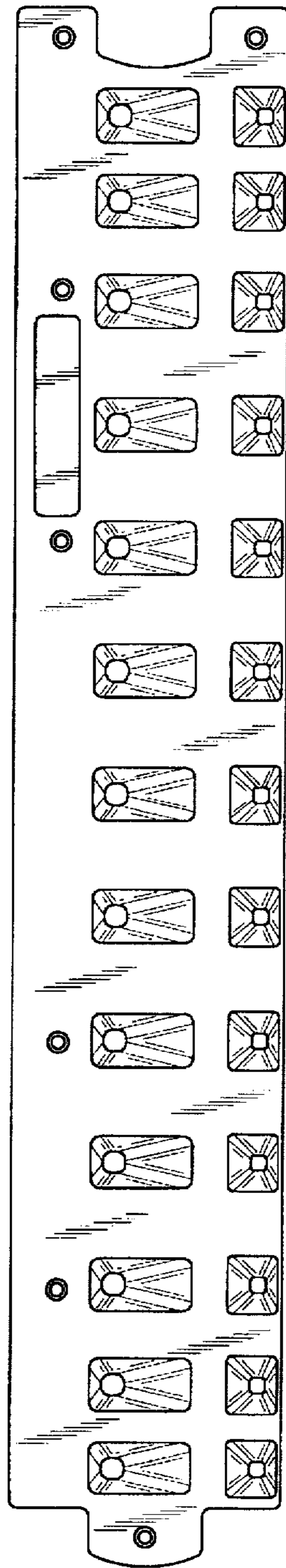


FIG. 7

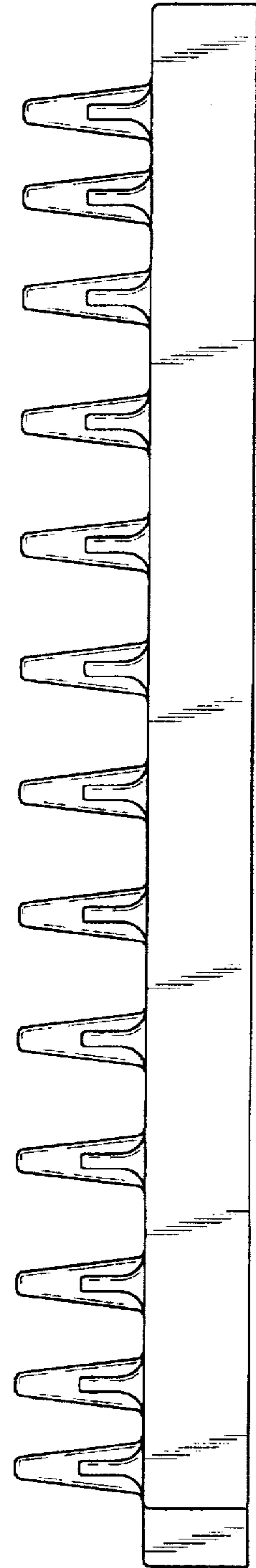


FIG. 4

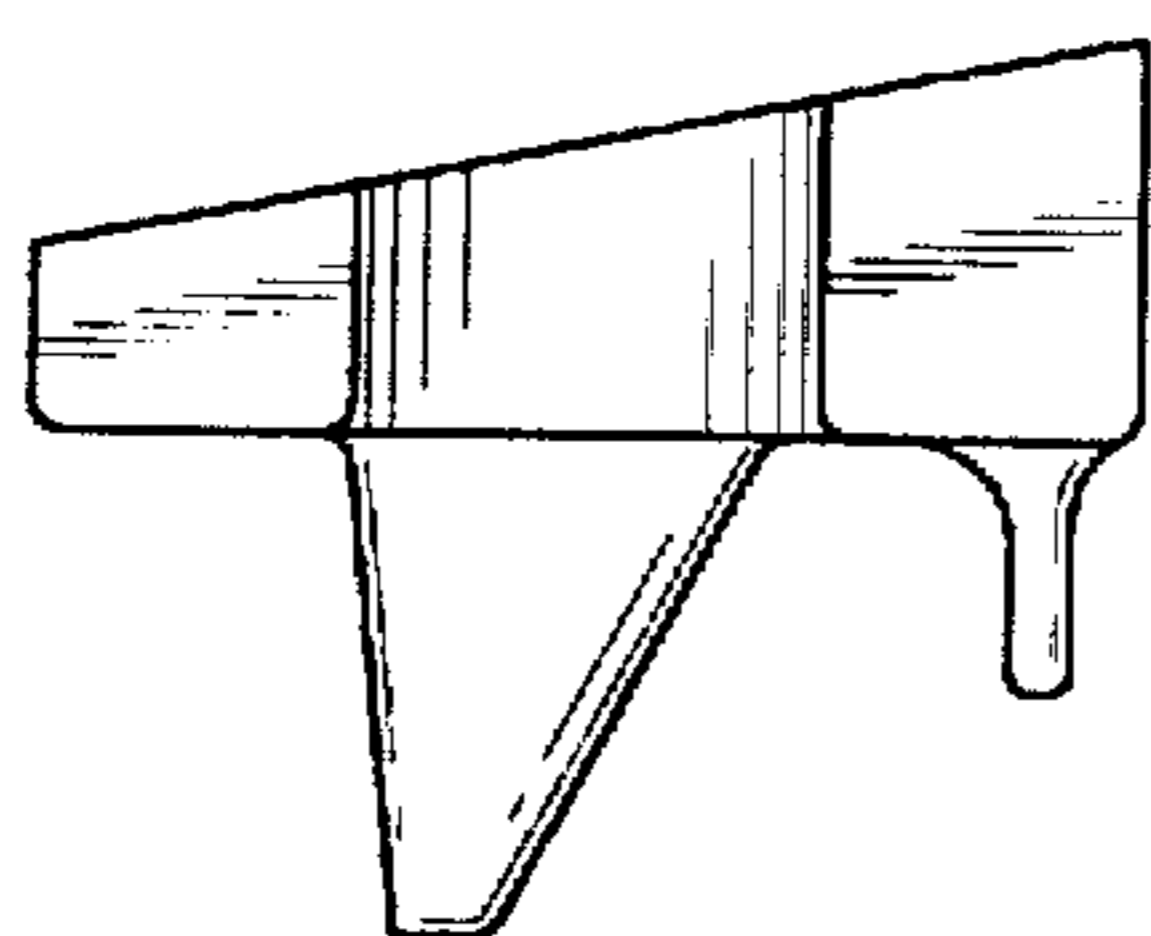


FIG. 5

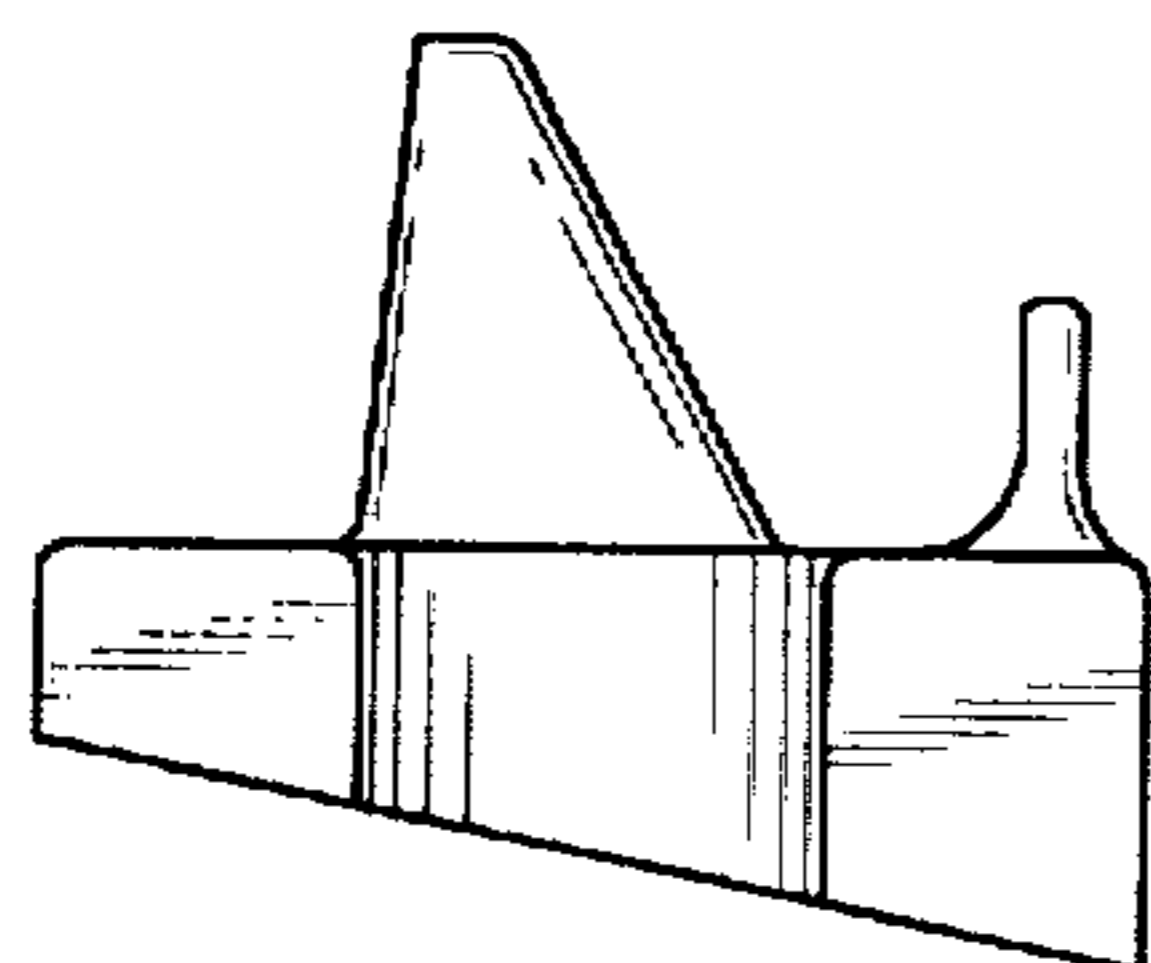


FIG. 6

