



US00D396157S

United States Patent [19]

Hofman

[11] Patent Number: **Des. 396,157**

[45] Date of Patent: ****Jul. 21, 1998**

[54] **SHOWER CADDY**

[75] Inventor: **James A. Hofman**, Hockessin, Del.

[73] Assignee: **Zenith Products Corp.**, New Castle, Del.

[**] Term: **14 Years**

[21] Appl. No.: **75,800**

[22] Filed: **Sep. 4, 1997**

[51] LOC (6) CL **06-04**

[52] U.S. Cl. **D6/525**

[58] Field of Search D6/525, 566, 524, D6/526, 527, 537, 552; 211/13.1, 49.1, 60.1, 70.1, 71, 74-75, 86-88, 90, 119, 128, 134, 181; 248/108-109, 175, 176, 302

[56] **References Cited**

U.S. PATENT DOCUMENTS

D. 97,274 10/1935 Gentz D6/566

D. 295,127	4/1988	Chap	D6/566 X
D. 340,604	10/1993	Conaway et al.	D6/525
D. 367,790	3/1996	Munoz et al.	D6/566 X
D. 368,614	4/1996	Munoz	D6/525 X
D. 376,941	12/1996	Munoz et al.	D6/525
4,895,334	1/1990	Bajek et al.	D6/566 X

Primary Examiner—Pamela Burgess
Attorney, Agent, or Firm—Edgar A. Zarins; Malcolm L. Sutherland

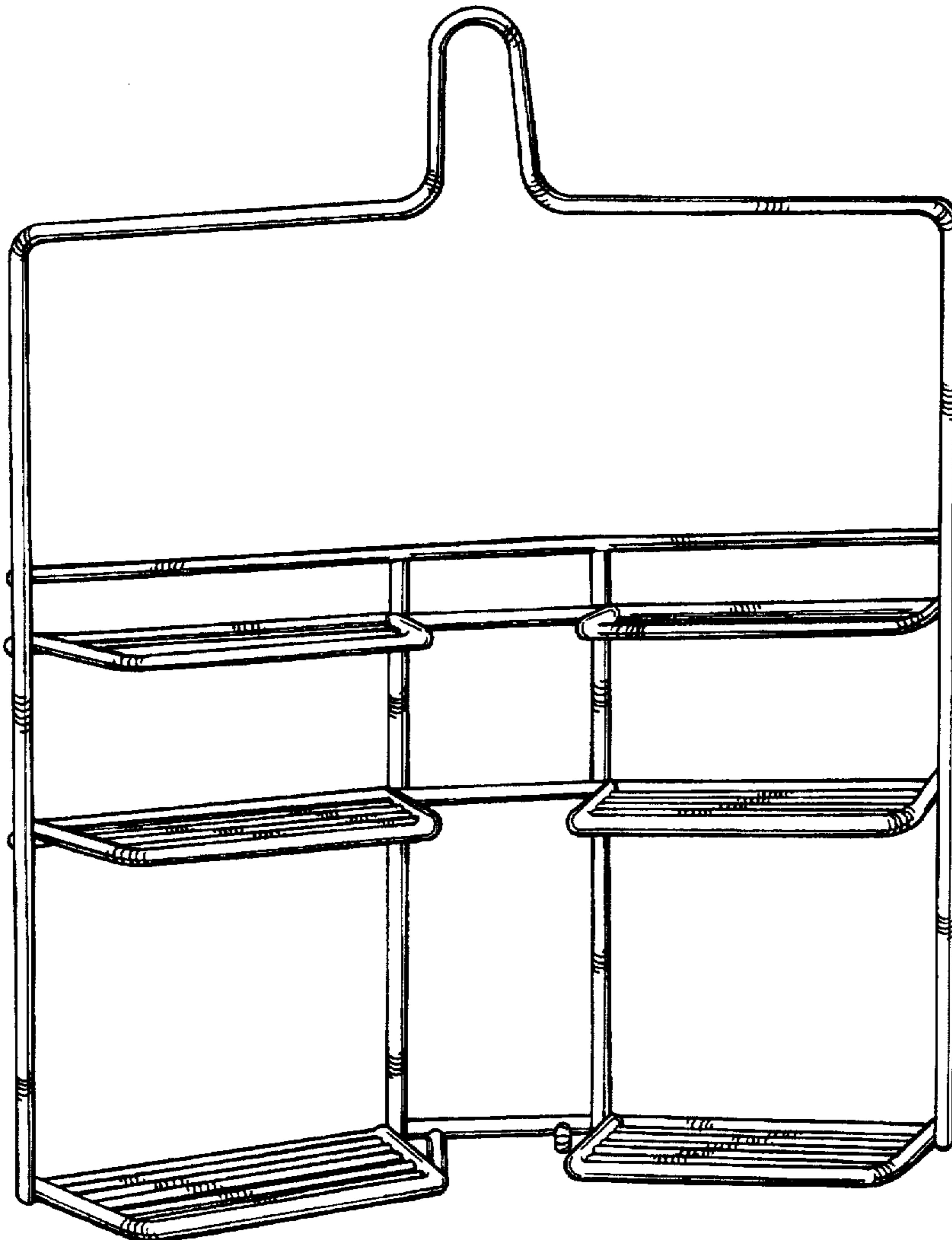
[57] **CLAIM**

The ornamental design for a shower caddy, as shown and described.

DESCRIPTION

FIG. 1 is a perspective view of a shower caddy showing my new design;
FIG. 2 is a front elevational view thereof;
FIG. 3 is a left side elevational view thereof;
FIG. 4 is a right side elevational view thereof;
FIG. 5 is a top plan view thereof;
FIG. 6 is a rear elevational view thereof; and
FIG. 7 is a bottom plan view thereof.

1 Claim, 4 Drawing Sheets



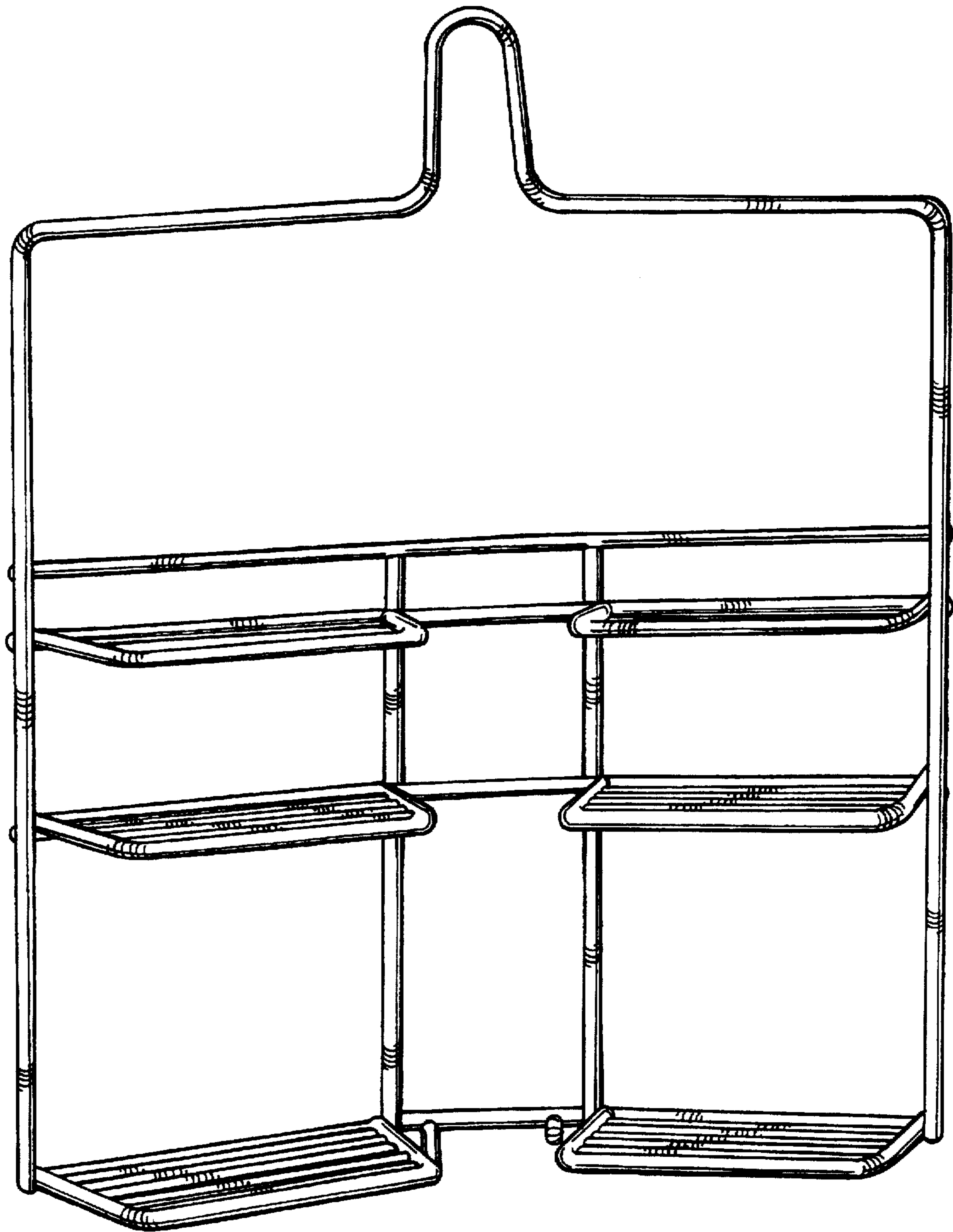


Fig-1

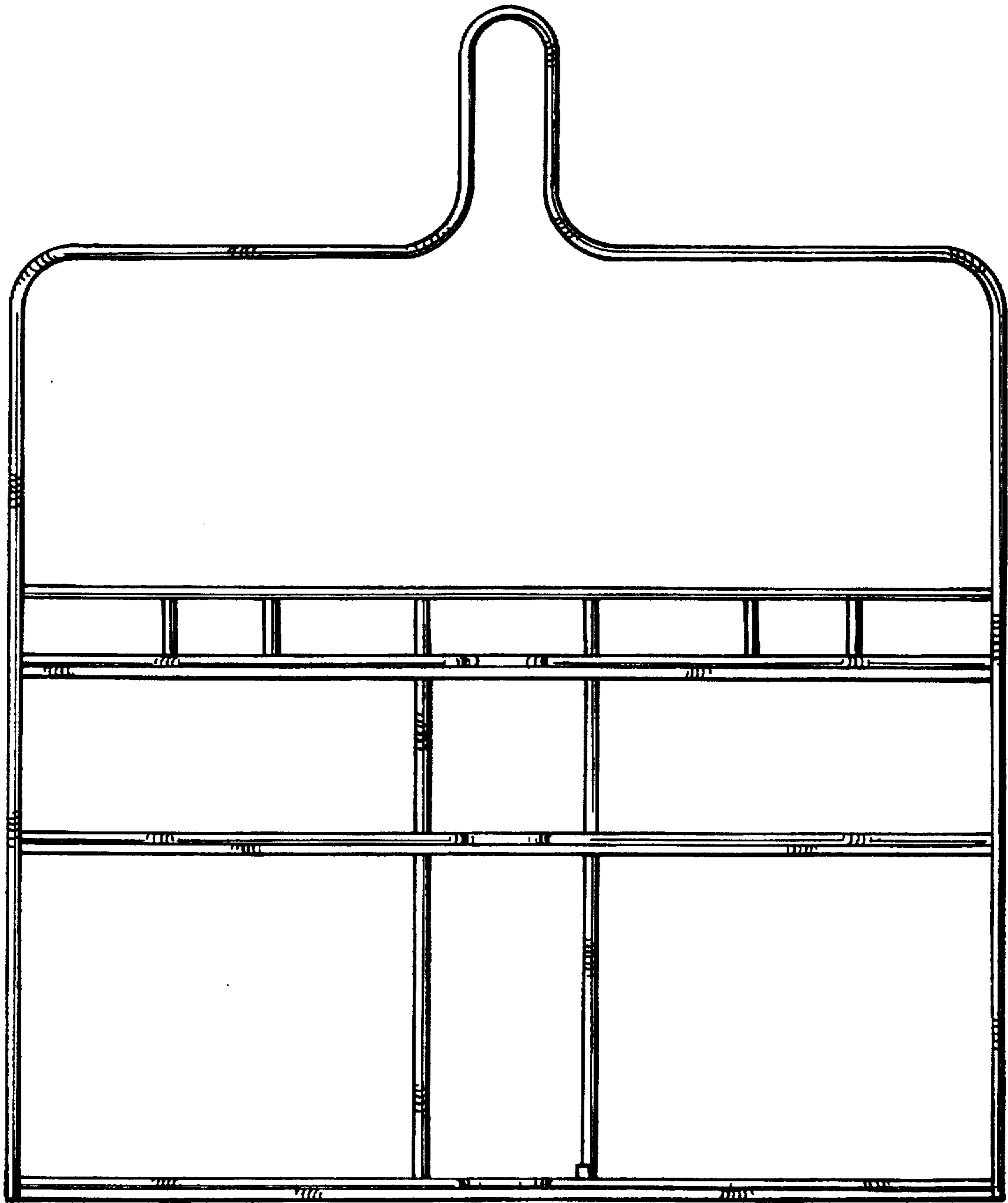
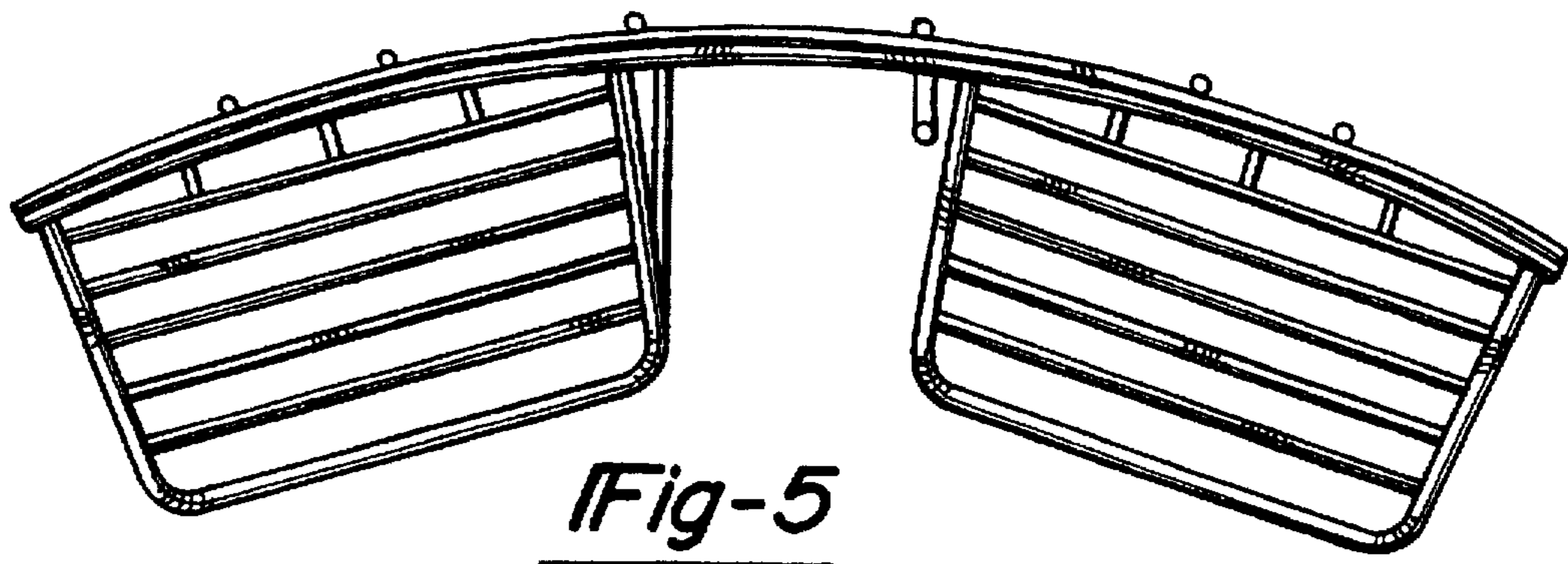
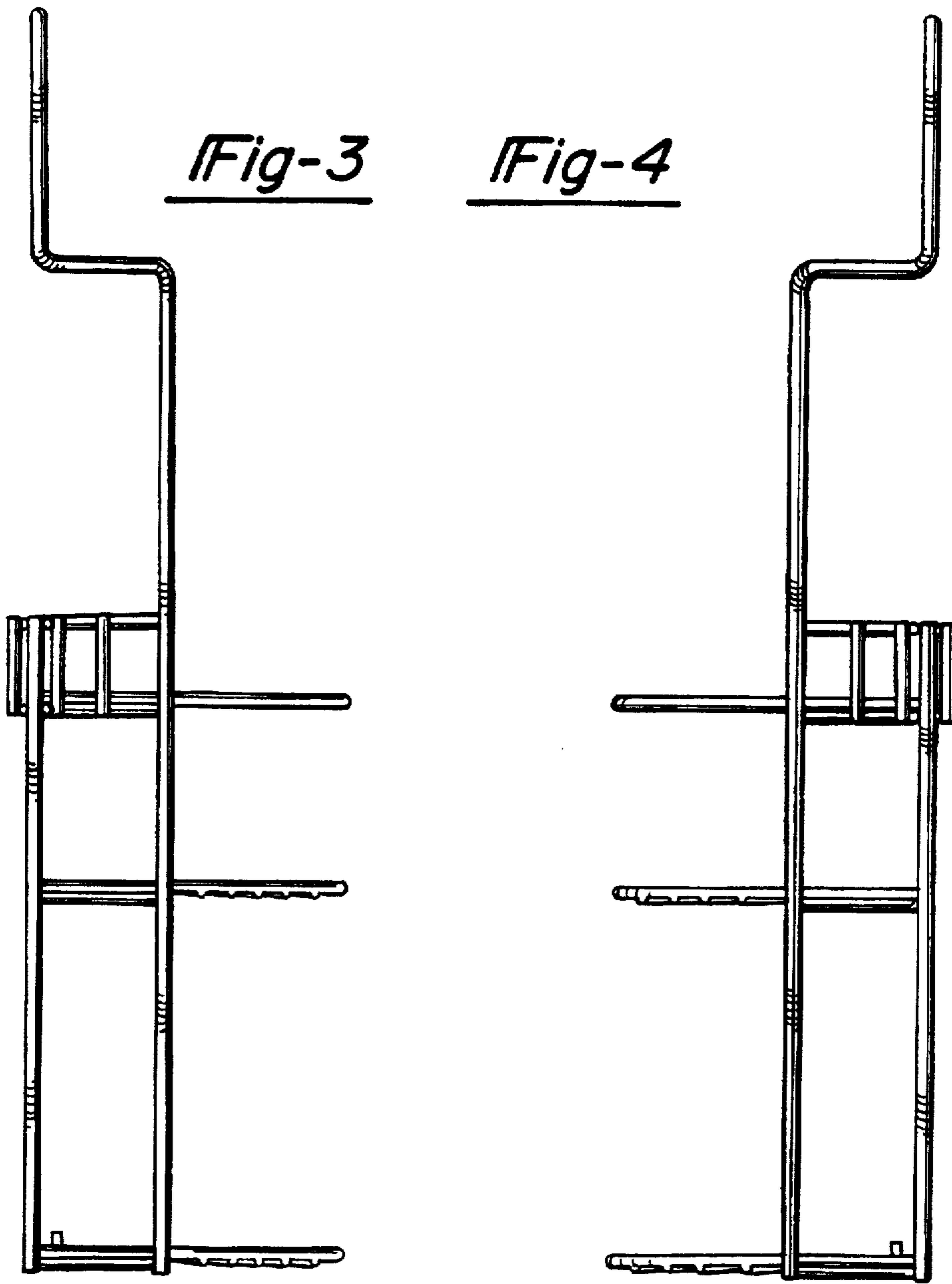


Fig-2



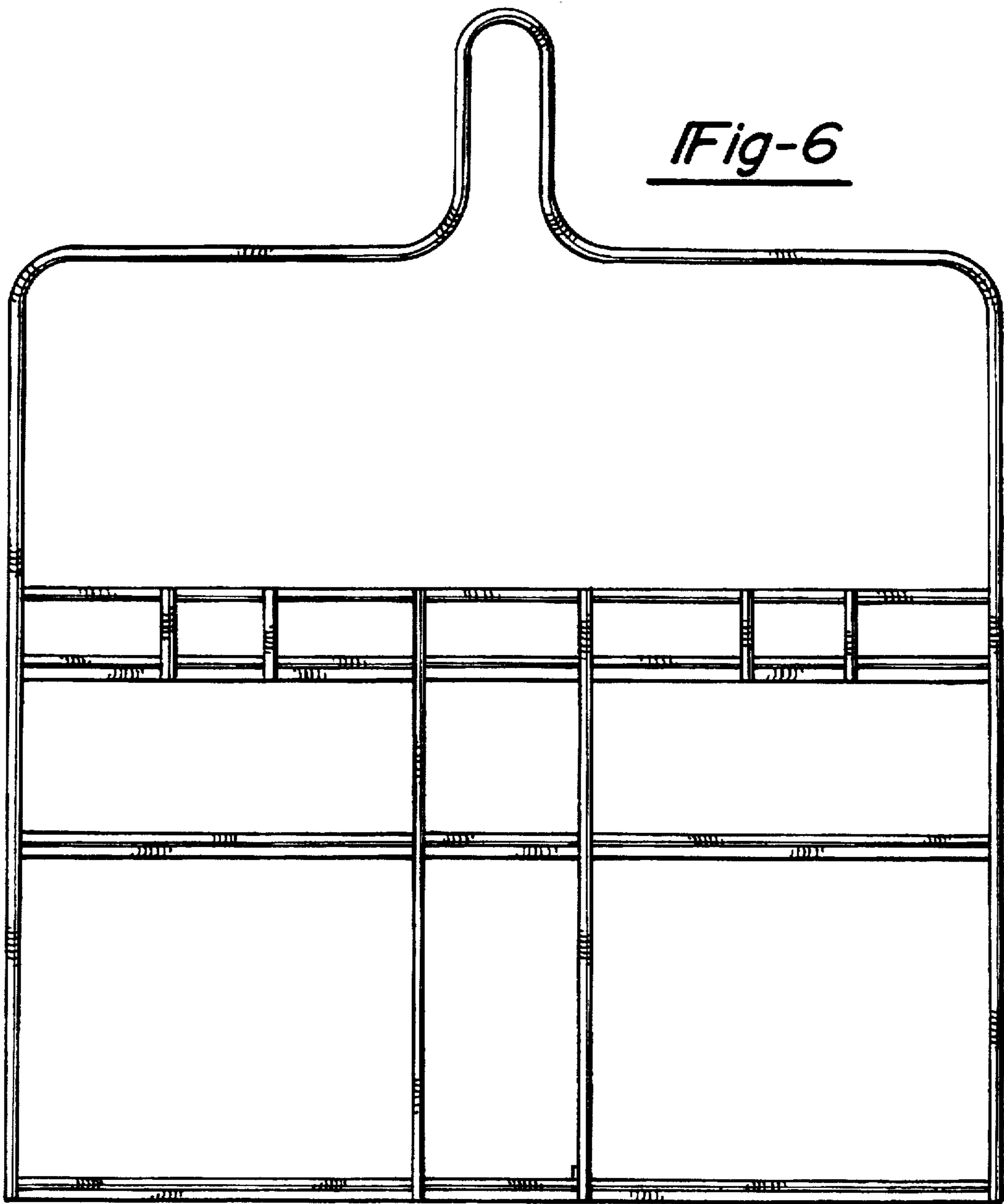


Fig-6

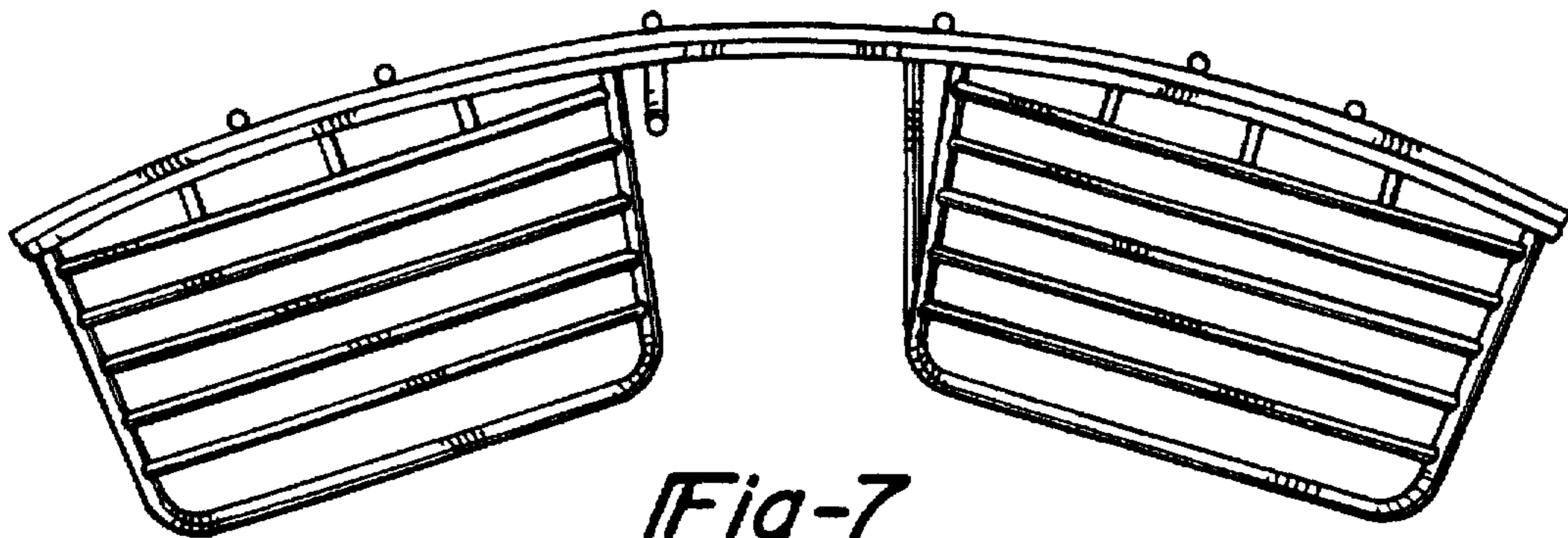


Fig-7