



US00D396155S

United States Patent [19]
Shamir

[11] **Patent Number:** **Des. 396,155**
[45] **Date of Patent:** ****Jul. 21, 1998**

[54] **CHAIR BACK**

[75] **Inventor:** **David Shamir**, Thornhill, Canada
[73] **Assignee:** **DSI Industries Inc.**, Concord, Canada
[**] **Term:** **14 Years**

[21] **Appl. No.:** **70,454**
[22] **Filed:** **May 8, 1997**

[51] **LOC (6) Cl.** **06-06**
[52] **U.S. Cl.** **D6/502; D6/366**
[58] **Field of Search** **D6/334, 364, 365,**
D6/366, 367, 375, 379, 500, 501, 502,
601; 297/452.29, 452.32, 452.35, DIG. 1

[56] **References Cited**

U.S. PATENT DOCUMENTS

D. 281,210 11/1985 Roberts D6/502
D. 368,596 4/1996 Breen D6/366
D. 383,628 9/1997 Shamir D6/502
4,556,254 12/1985 Roberts 297/DIG. 1

FOREIGN PATENT DOCUMENTS

1159582 12/1983 Canada D6/502

Primary Examiner—Gary D. Watson
Attorney, Agent, or Firm—George A. Seaby

[57] **CLAIM**

The ornamental design for a chair back, as shown and described.

DESCRIPTION

FIG. 1 is a front elevational view of the chair back showing my new design;

FIG. 2 is a rear elevational view thereof;

FIG. 3 is a perspective view from one side thereof;

FIG. 4 is a side view thereof, the other side elevation being identical thereto;

FIG. 5 is a top elevational view thereof;

FIG. 6 is a bottom elevation view thereof;

FIG. 7 is a cross section taken generally along line VII—VII of FIG. 1;

FIG. 8 is a cross section taken generally along line VIII—VIII of FIG. 1;

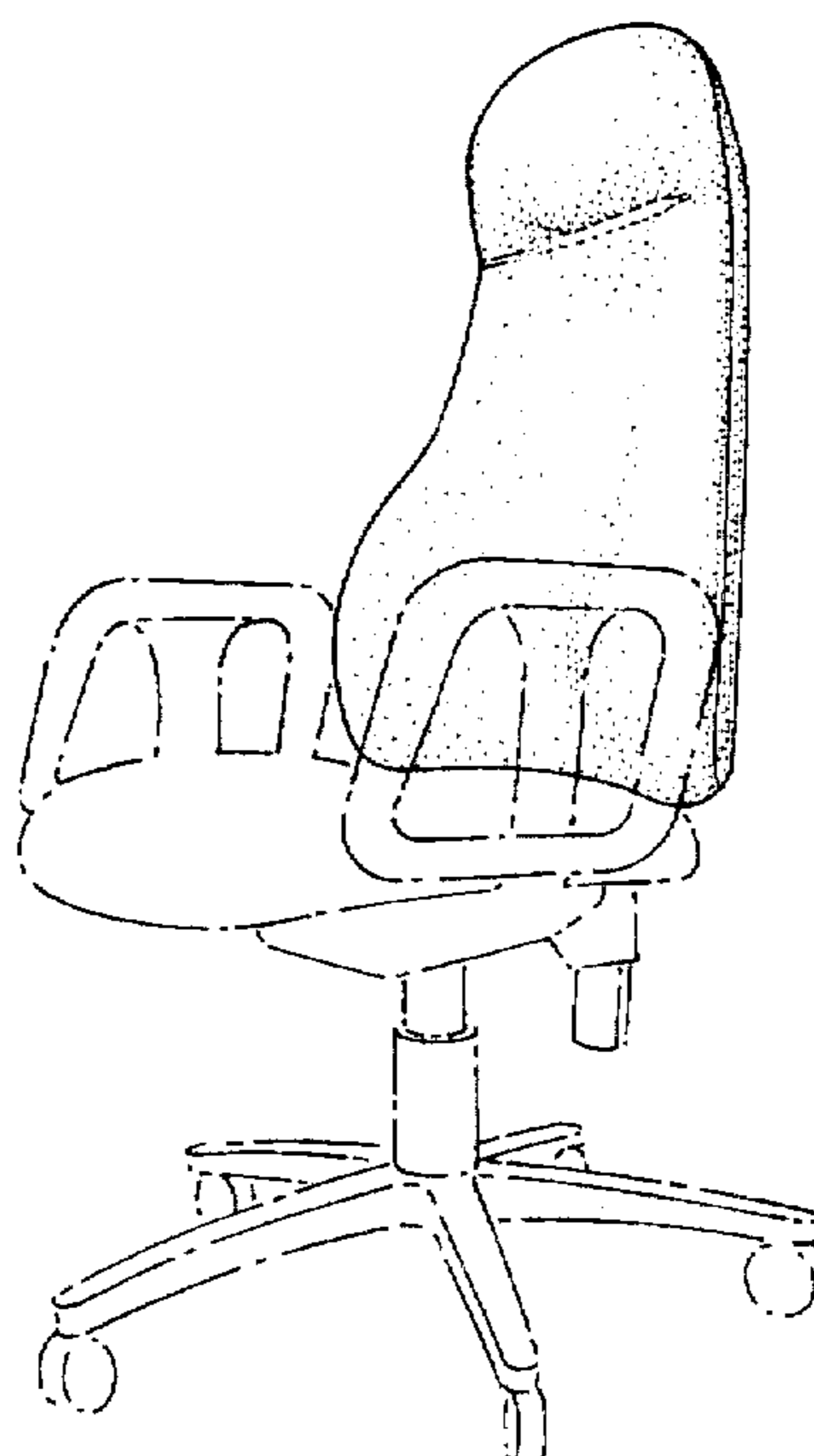
FIG. 9 is a cross section taken generally along line IX—IX of FIG. 1;

FIG. 10 is a cross section taken generally along line X—X of FIG. 1; and,

FIG. 11 is a cross section taken generally along line XI—XI of FIG. 1.

The center core of the backrest depicted in FIGS. 7 through 11 by means of diagonal lines and small fragmented circles is understood to represent resilient foam material. The broken lines shown below the headrest in FIGS. 1 and 3 represent stitching. The broken lines showing the remainder of the chair in FIGS. 1 through 6 are for illustrative purposes only and form no part of the claimed design. FIGS. 7 through 11 have been shown on an enlarged scale with respect to the other views.

1 Claim, 5 Drawing Sheets



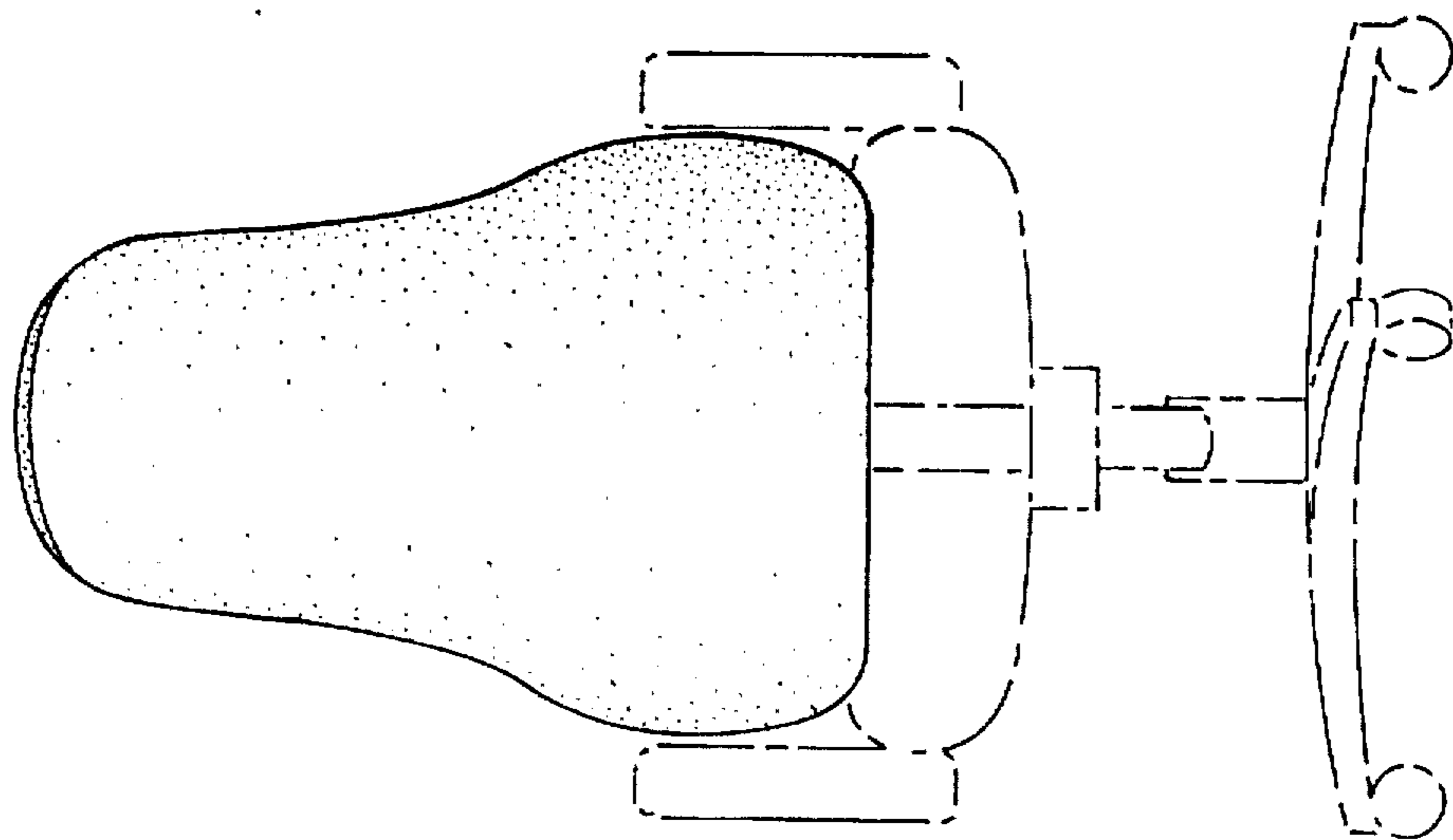


FIG. 2

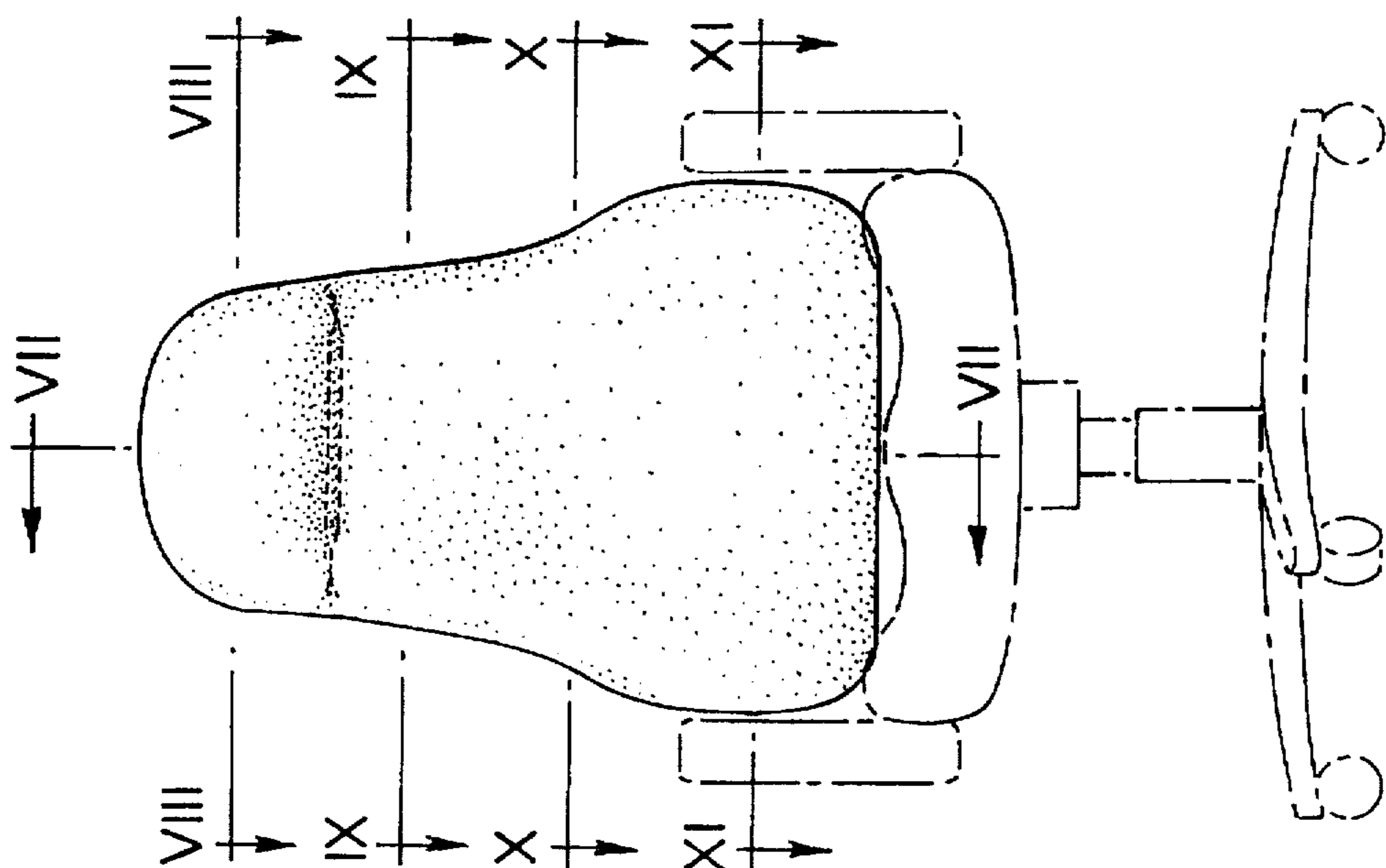
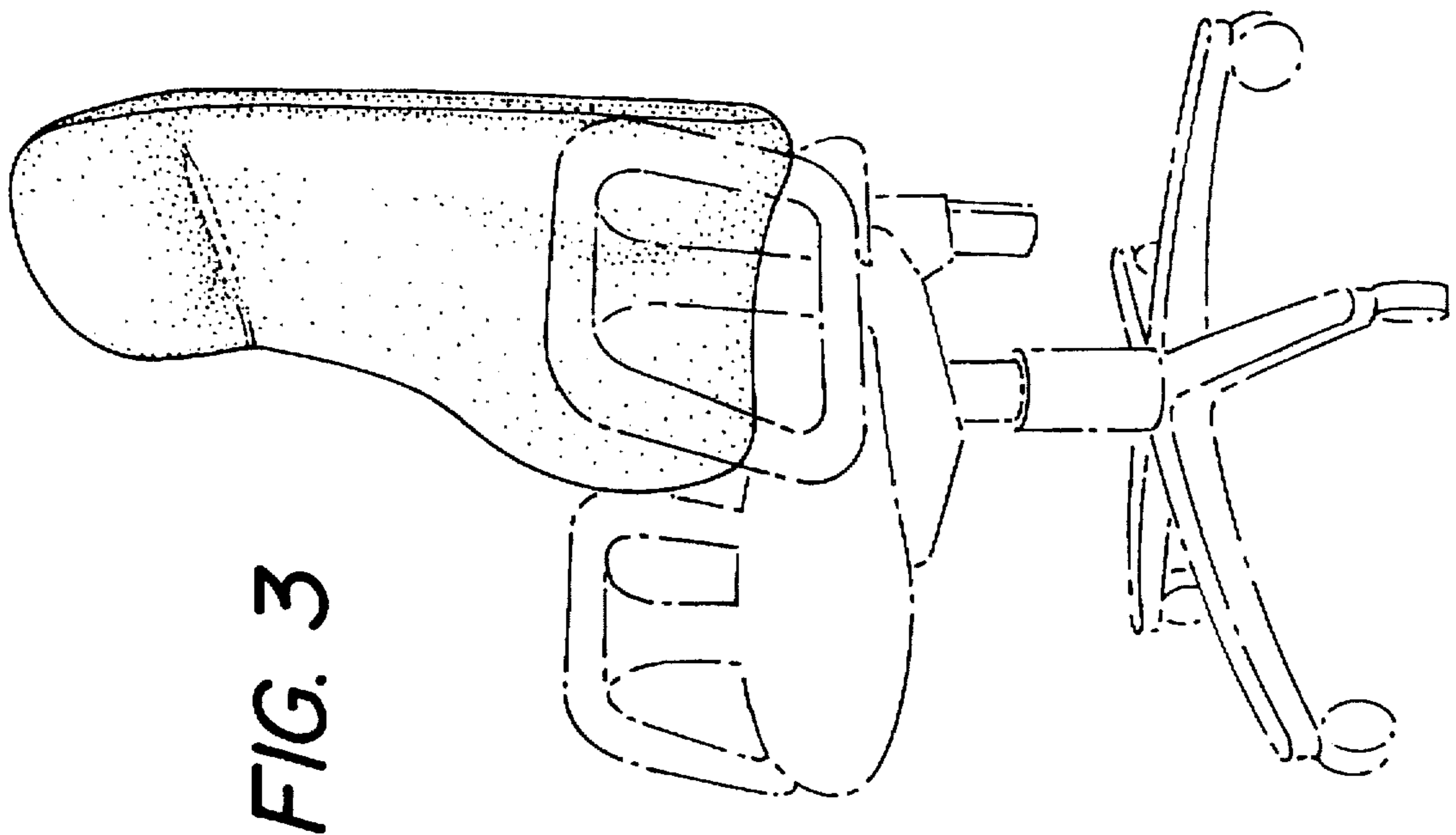
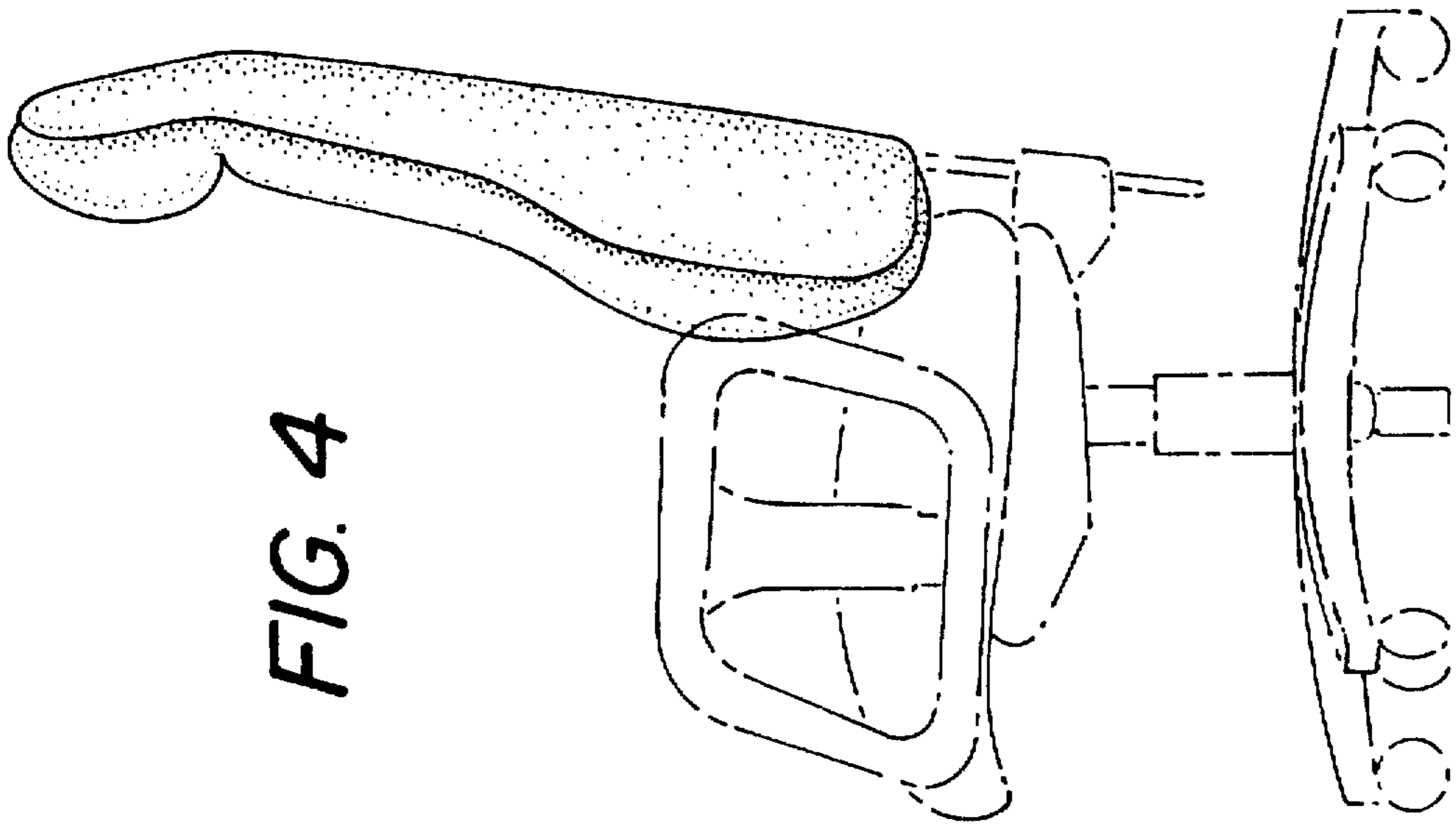


FIG. 1



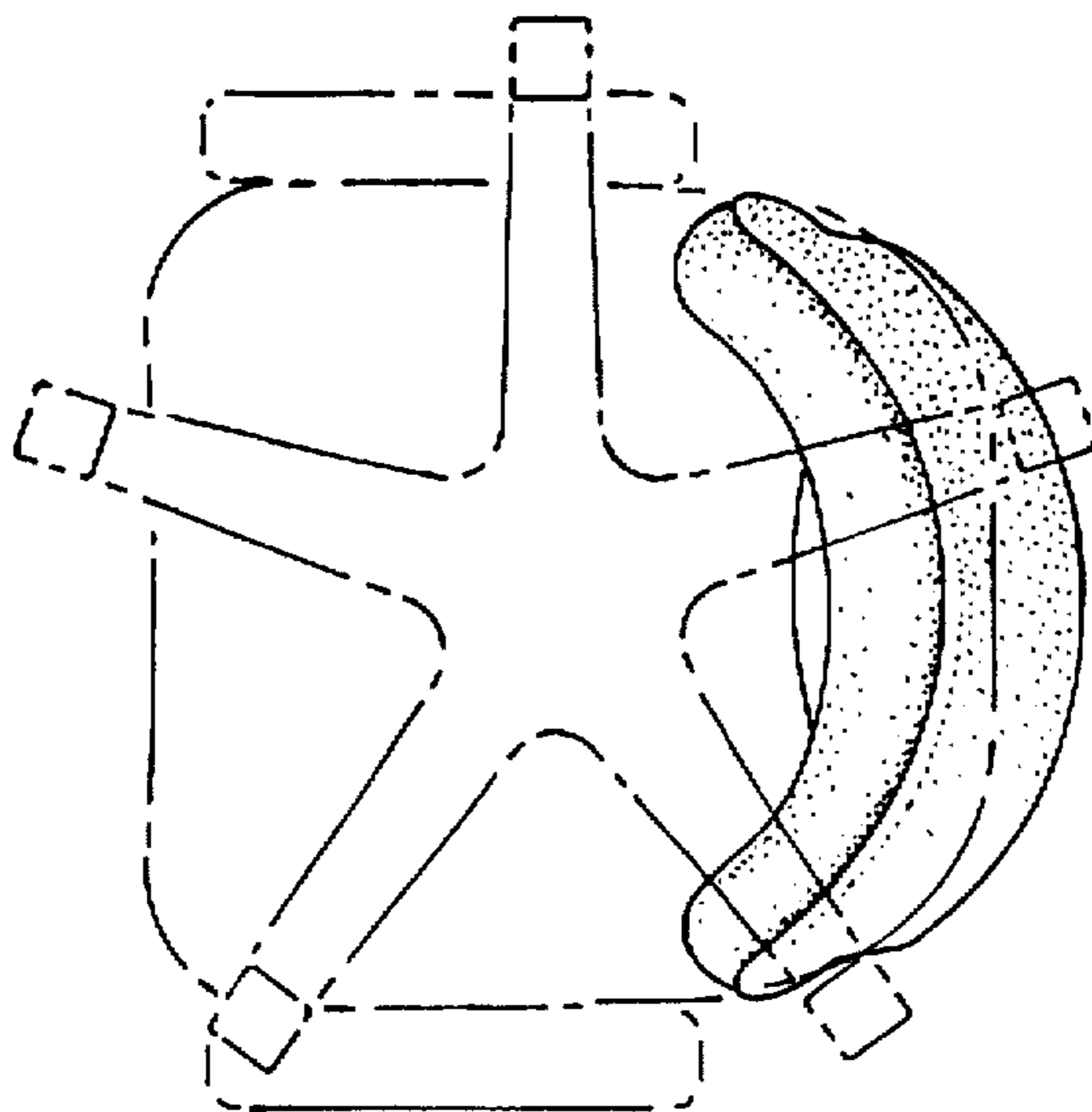


FIG. 6

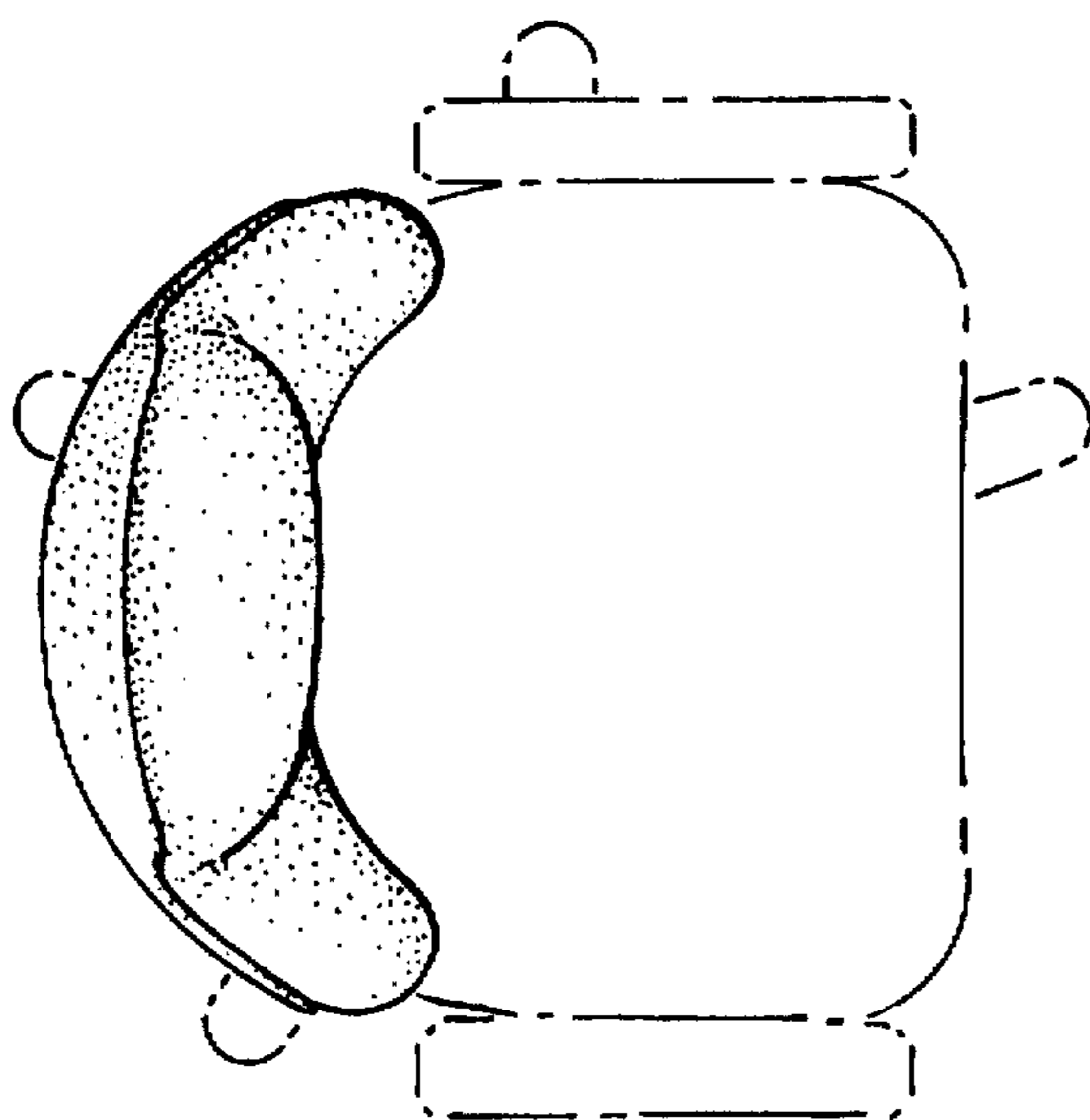
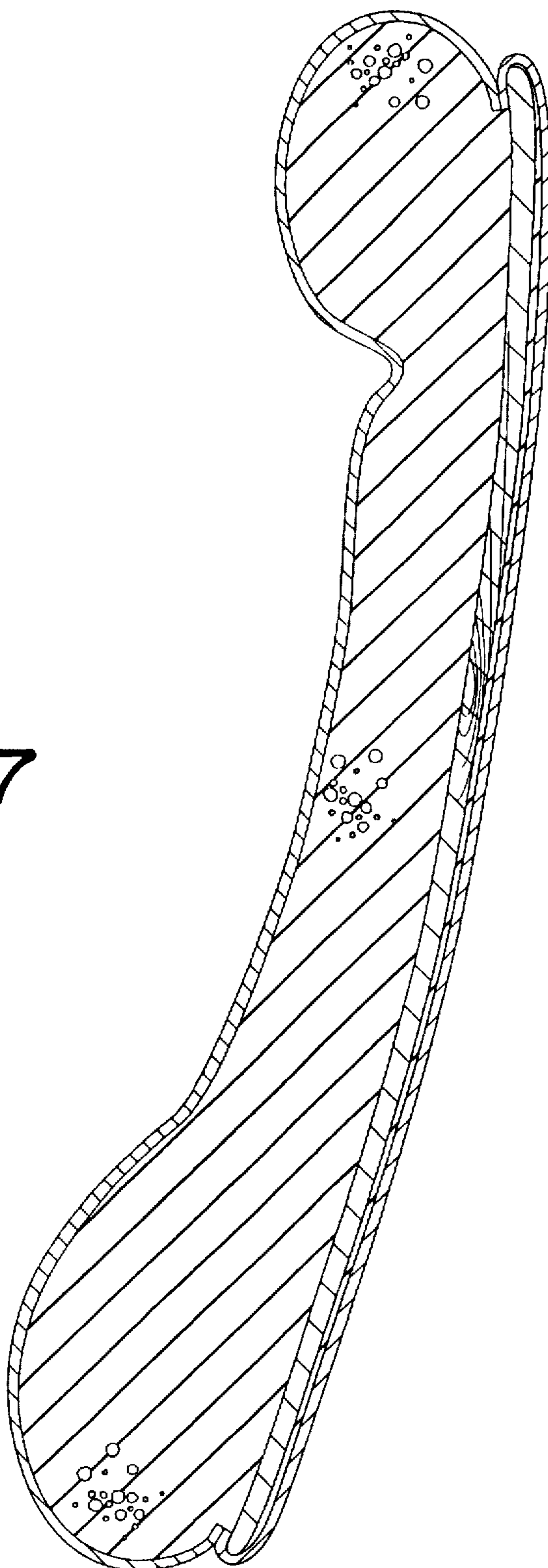


FIG. 5

FIG. 7



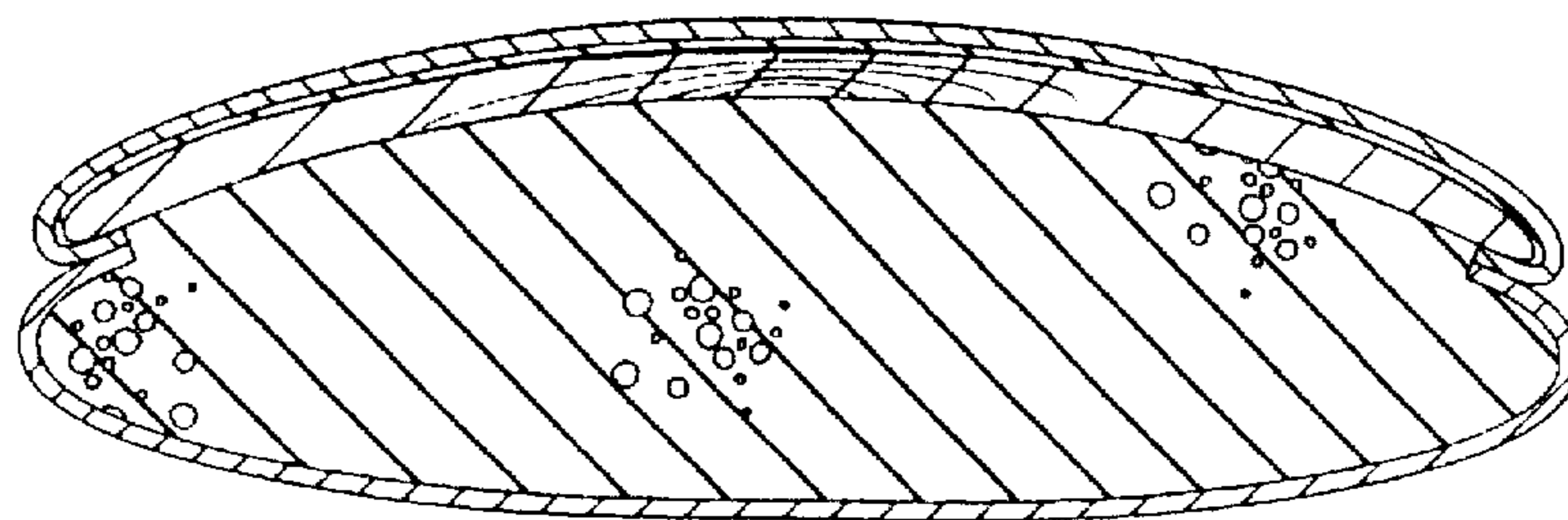


FIG. 8

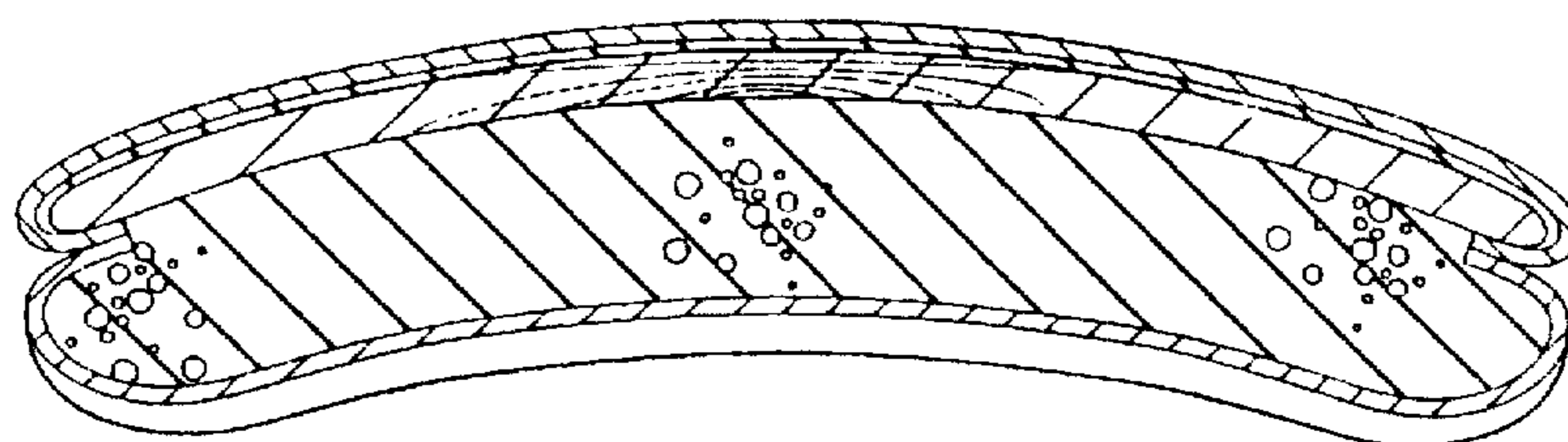


FIG. 9

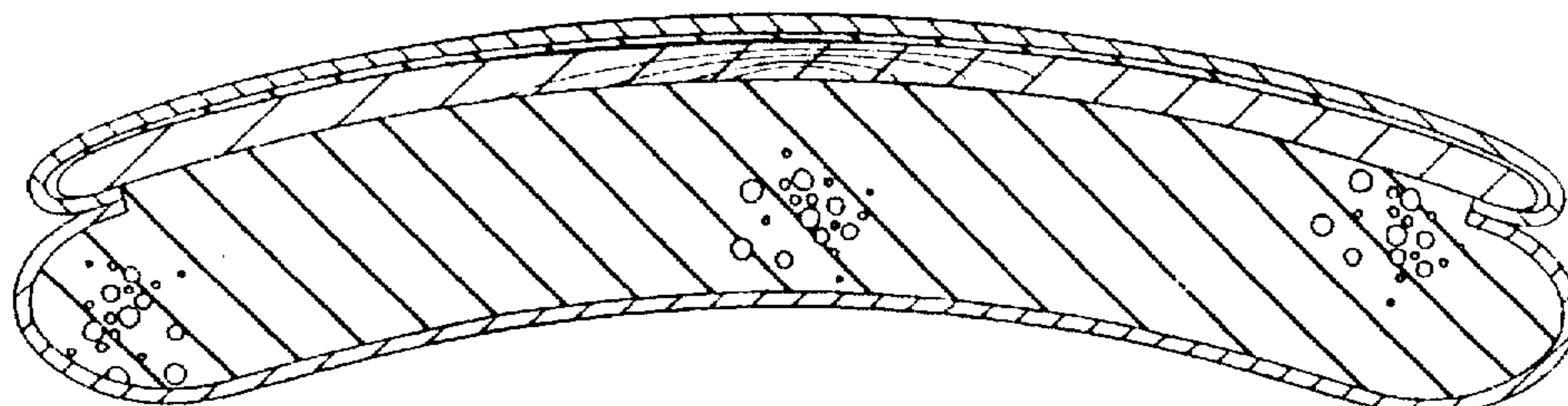


FIG. 10

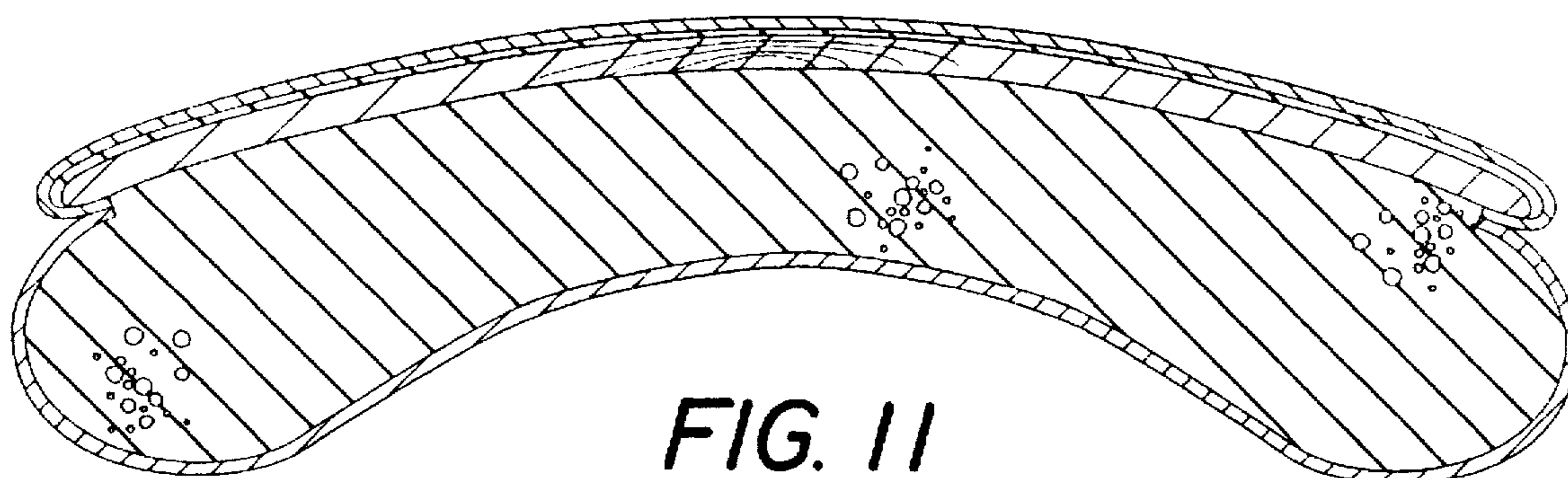


FIG. 11