



US00D396151S

United States Patent [19]
Magee

[11] **Patent Number: Des. 396,151**
[45] **Date of Patent: **Jul. 21, 1998**

[54] **COMBINED CHAIR AND STEP**

[76] **Inventor: Jayne Heather Magee, 49 William Bradford Close, Austerfield, Doncaster, South Yorkshire, England, DN10 6RB**

[**] **Term: 14 Years**

[21] **Appl. No.: 69,248**

[22] **Filed: Mar. 20, 1997**

[30] **Foreign Application Priority Data**

Sep. 28, 1996 [GB] United Kingdom 2059696

[51] **LOC (6) Cl. 06-01**

[52] **U.S. Cl. D6/335; D6/350; D6/353**

[58] **Field of Search D6/334, 335, 336, D6/350, 353, 368, 370, 500, 501, 502; 297/118, 378.1, 423.41**

[56] **References Cited**

U.S. PATENT DOCUMENTS

- D. 157,697 3/1950 Peppin D6/350 X
- D. 287,315 12/1986 Ginouves D6/335
- D. 350,030 8/1994 Abrams D6/335

Primary Examiner—Gary D. Watson
Attorney, Agent, or Firm—Adams Law Firm, P.A.

[57] **CLAIM**

The ornamental design for a combined chair and step, as shown and described.

DESCRIPTION

FIG. 1 is a front elevational view of the combined chair and

step with the support in a raised position to form the chair back;

FIG. 2 is a rear elevational view thereof;

FIG. 3 is a rear perspective view thereof;

FIG. 4 is a front perspective view thereof;

FIG. 5 is a right side elevational view, the left side being a mirror image thereof;

FIG. 6 is a top plan view thereof;

FIG. 7 is a side perspective view showing the support in an alternate transitional position as the support is lowered to form the step;

FIG. 8 is a front perspective view with the support in the lowered position;

FIG. 9 is a first rear perspective view thereof;

FIG. 10 is a second rear perspective view thereof;

FIG. 11 is a left side elevational view, the right side being a mirror image thereof;

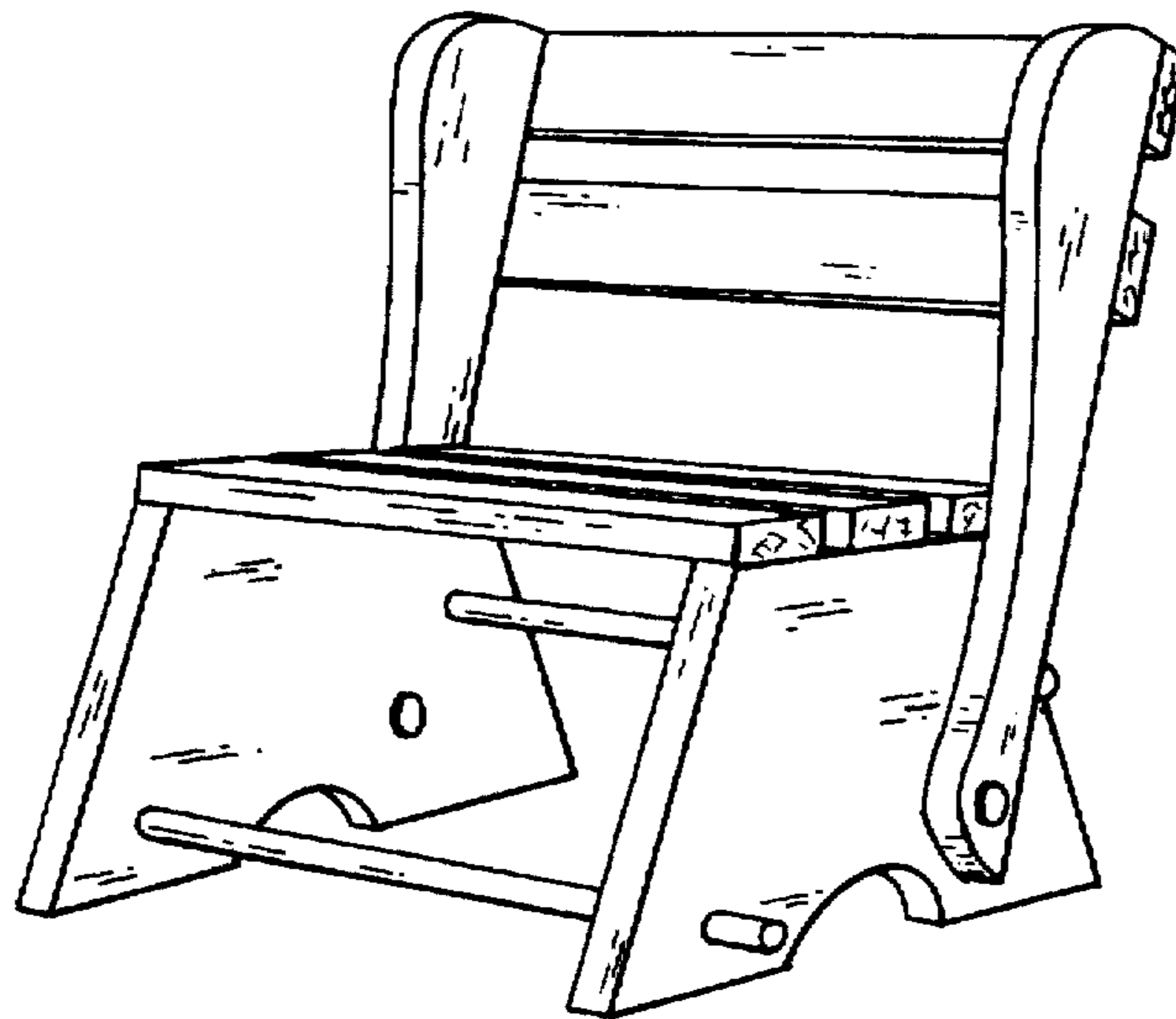
FIG. 12 is a rear elevational view thereof;

FIG. 13 is a front elevational view thereof;

FIG. 14 is a top plan view thereof; and,

FIG. 15 is a bottom plan view thereof.

1 Claim, 8 Drawing Sheets



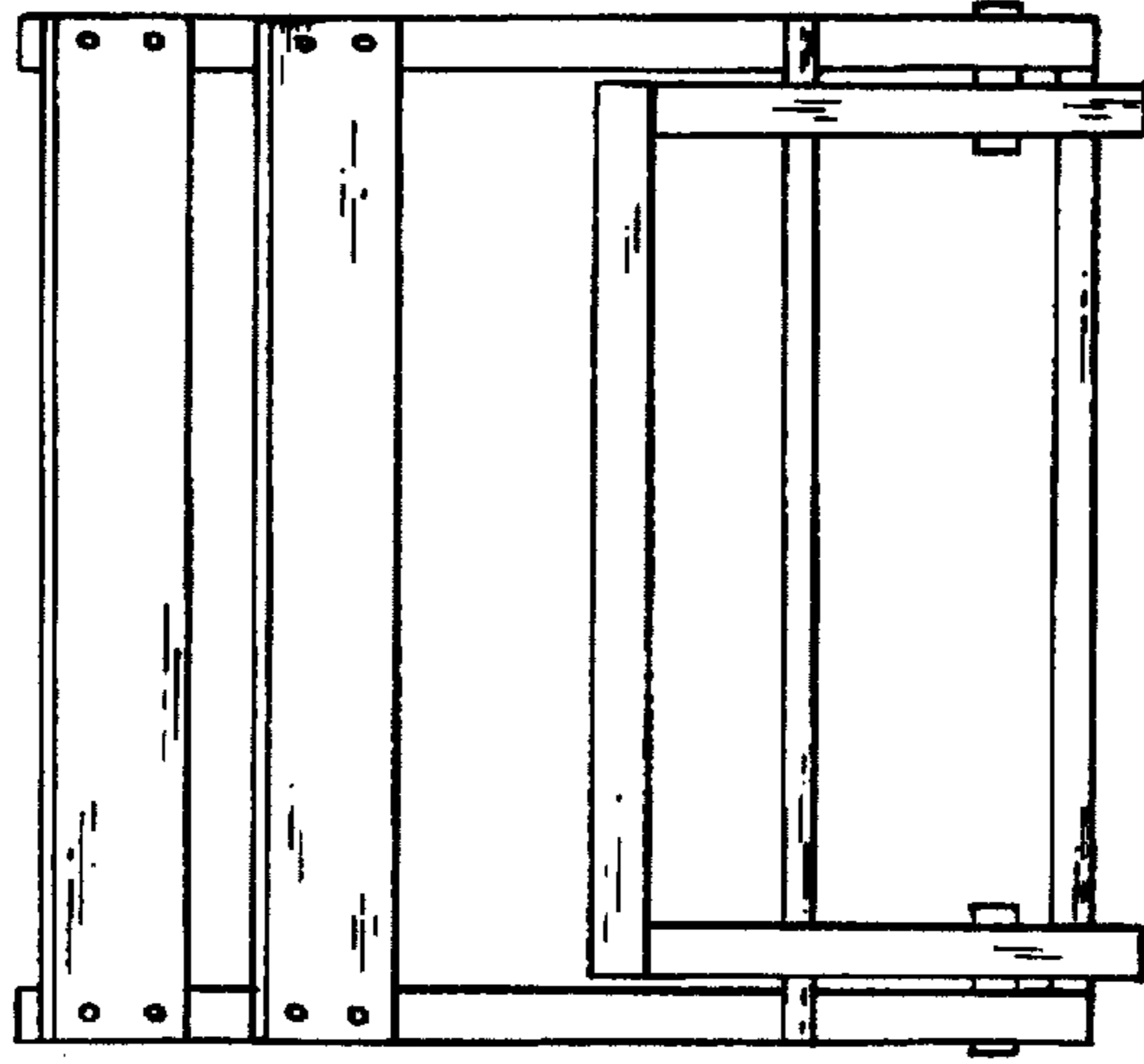


Fig. 2

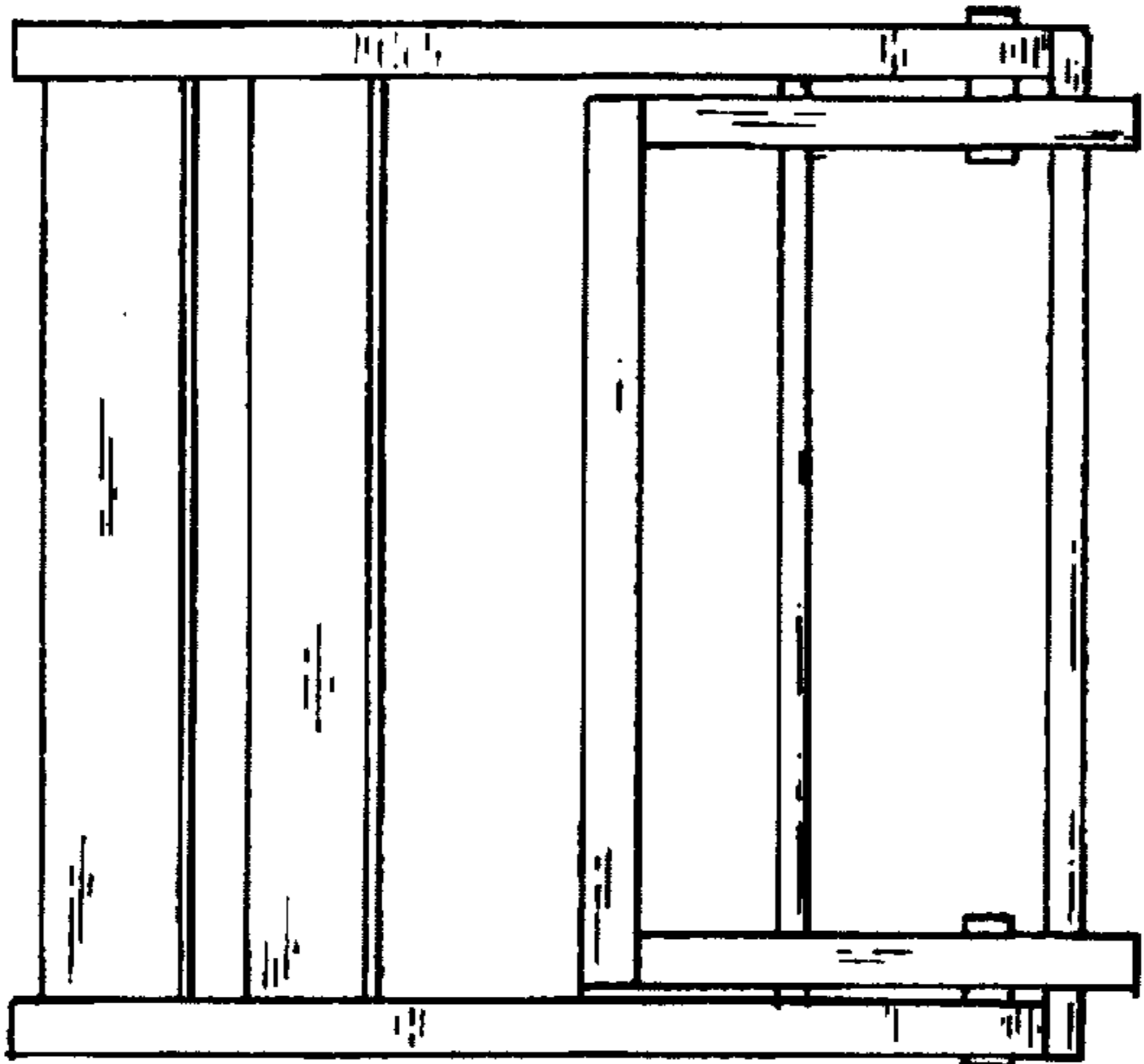


Fig. 1

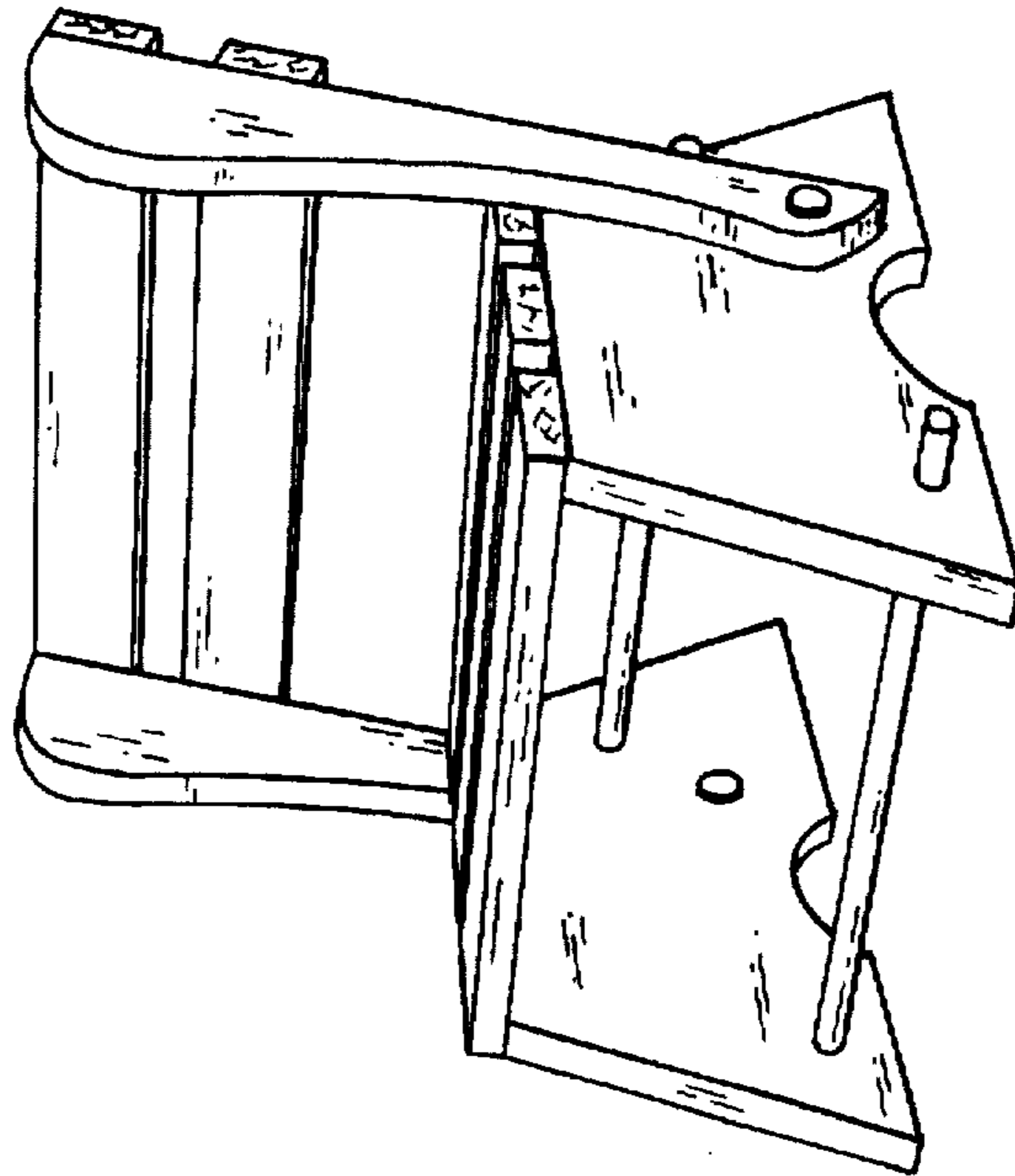


Fig. 4

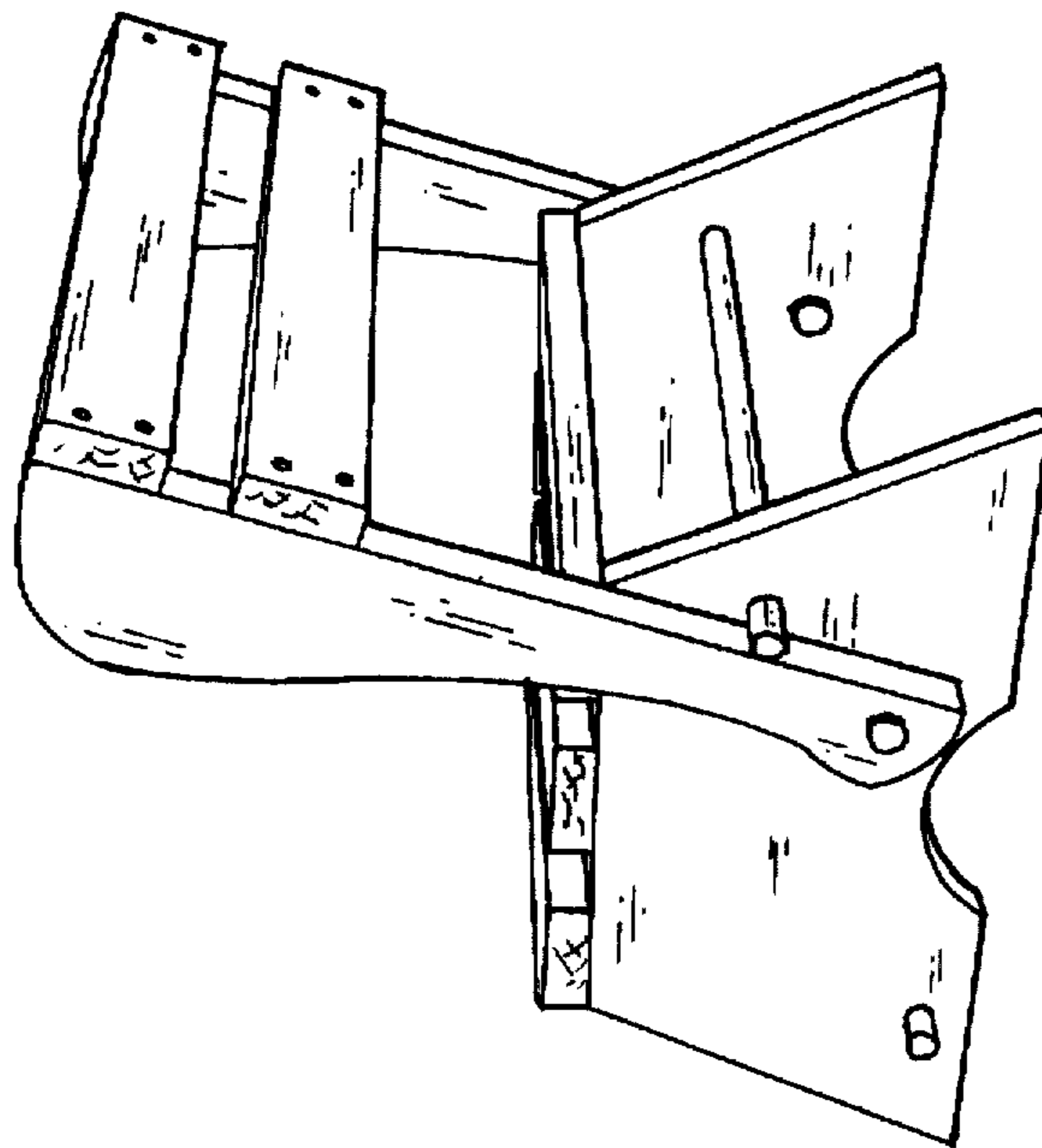


Fig. 3

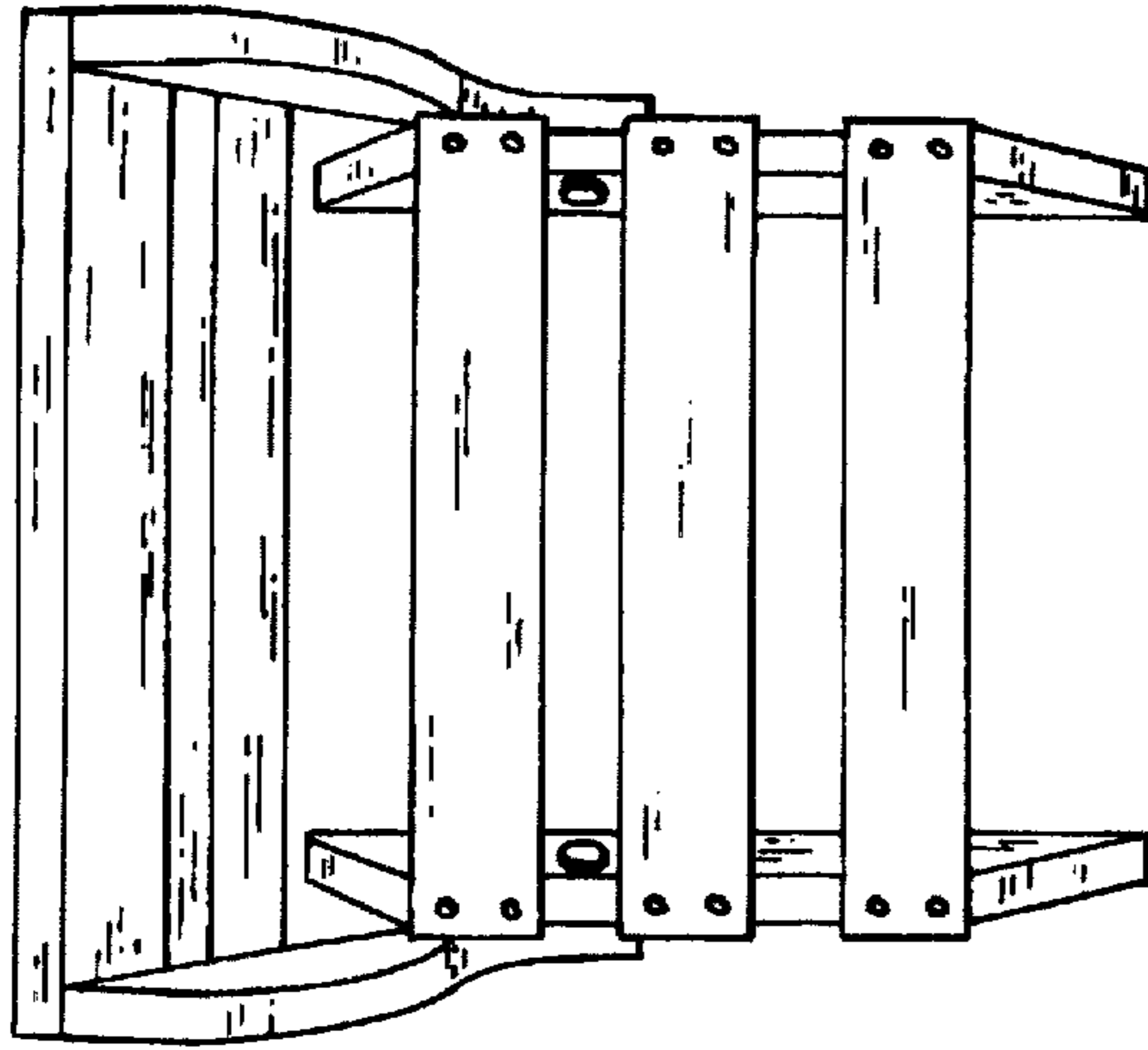


Fig. 6

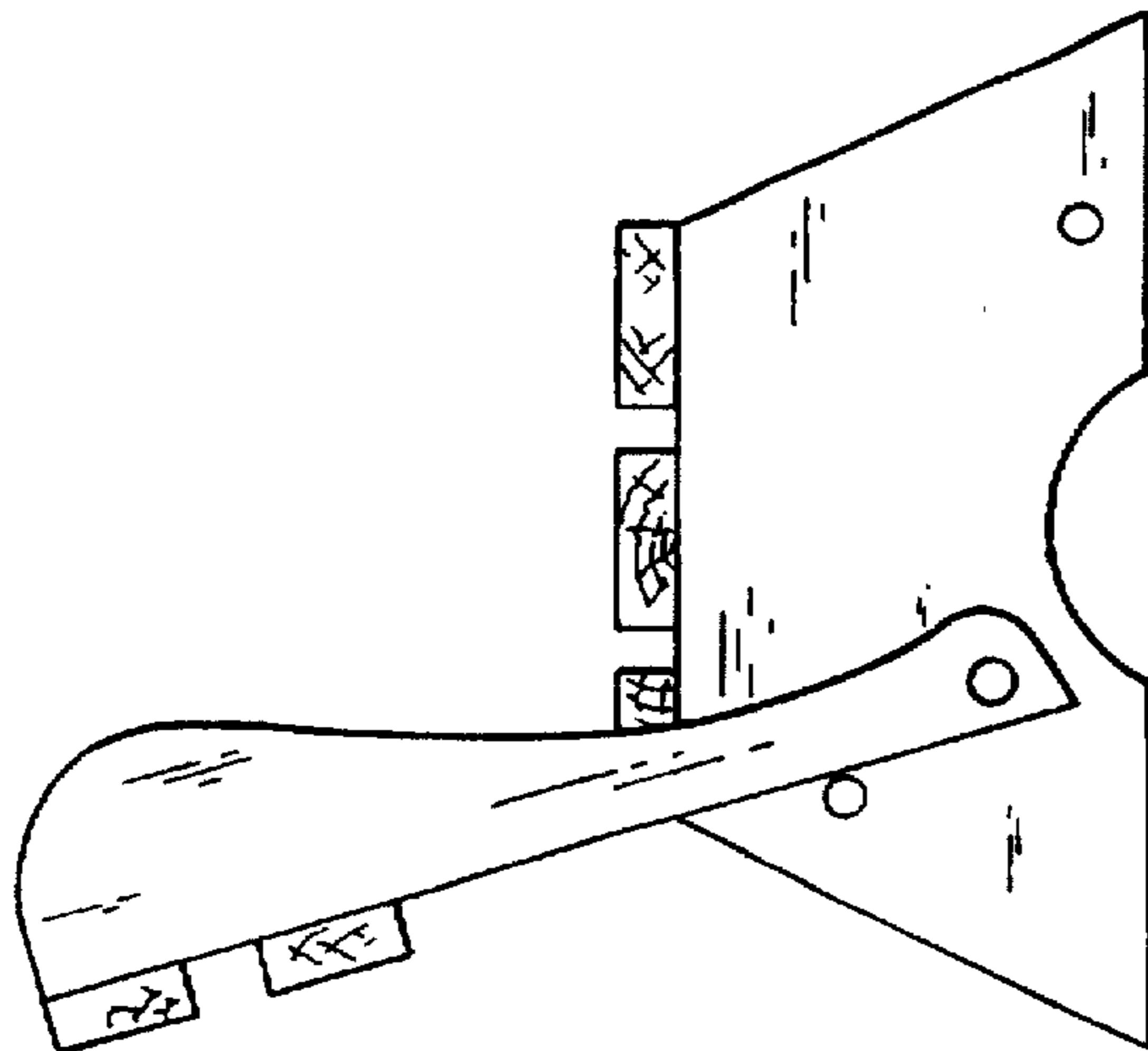


Fig. 5

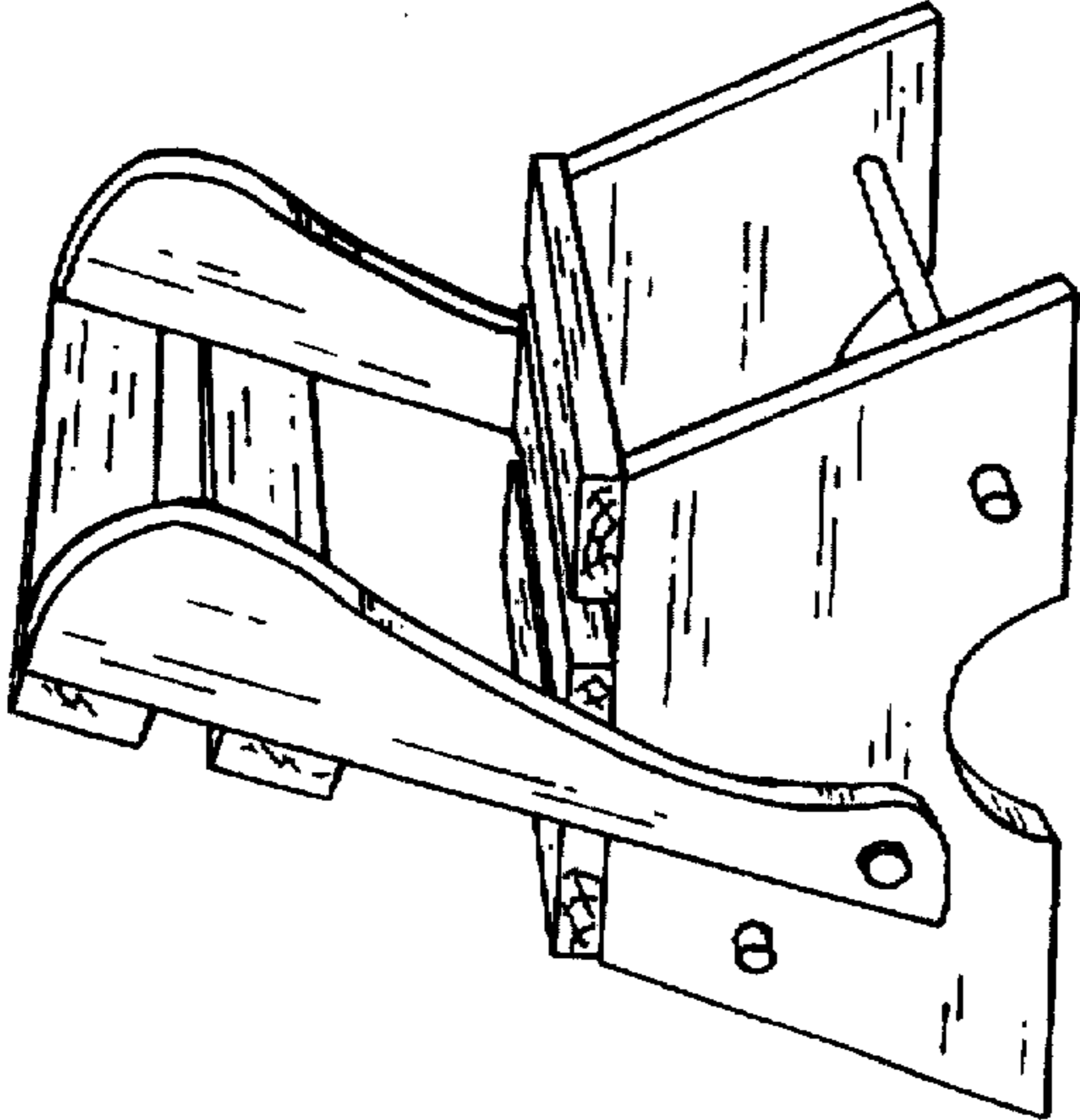


Fig. 7

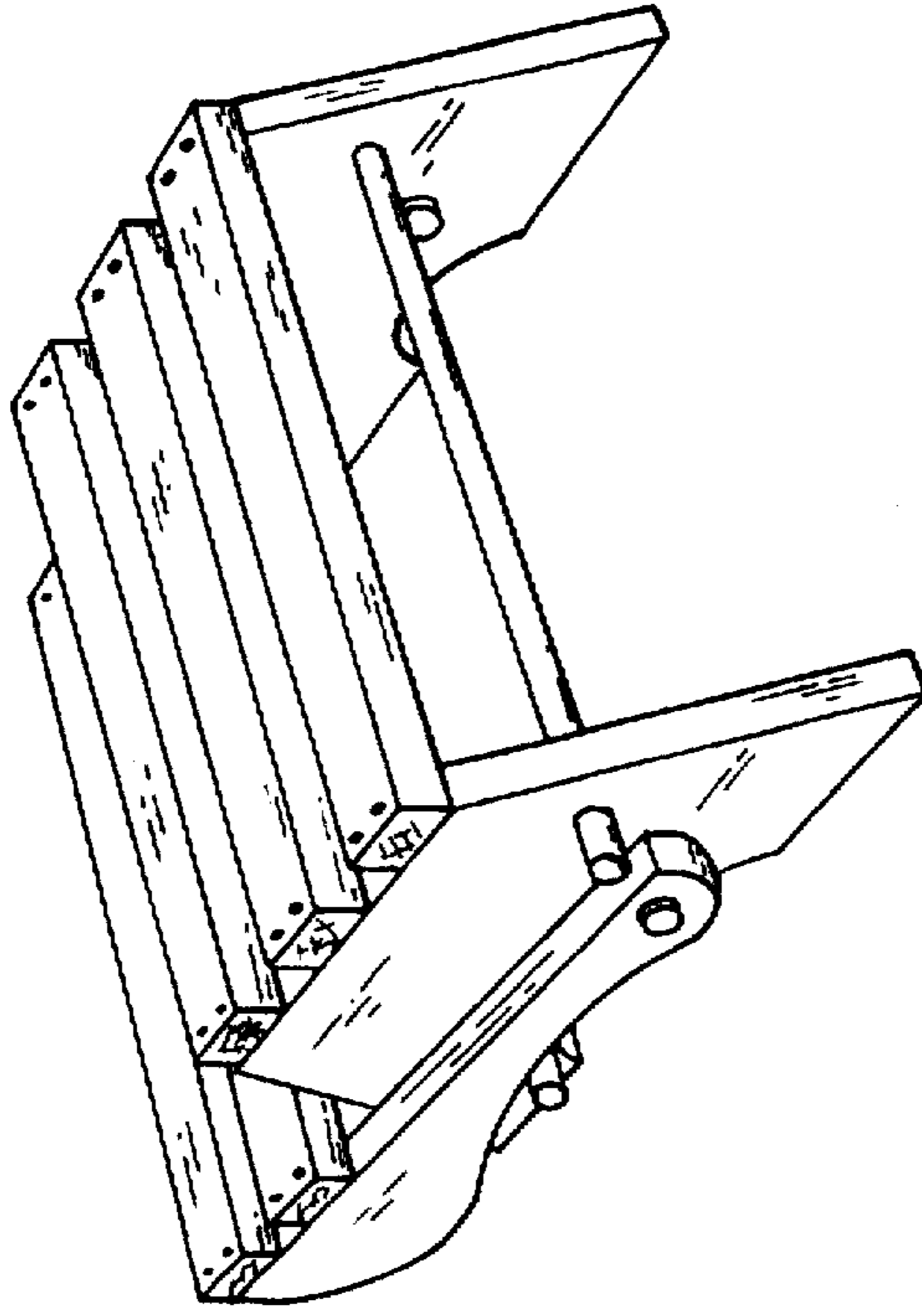


Fig. 9

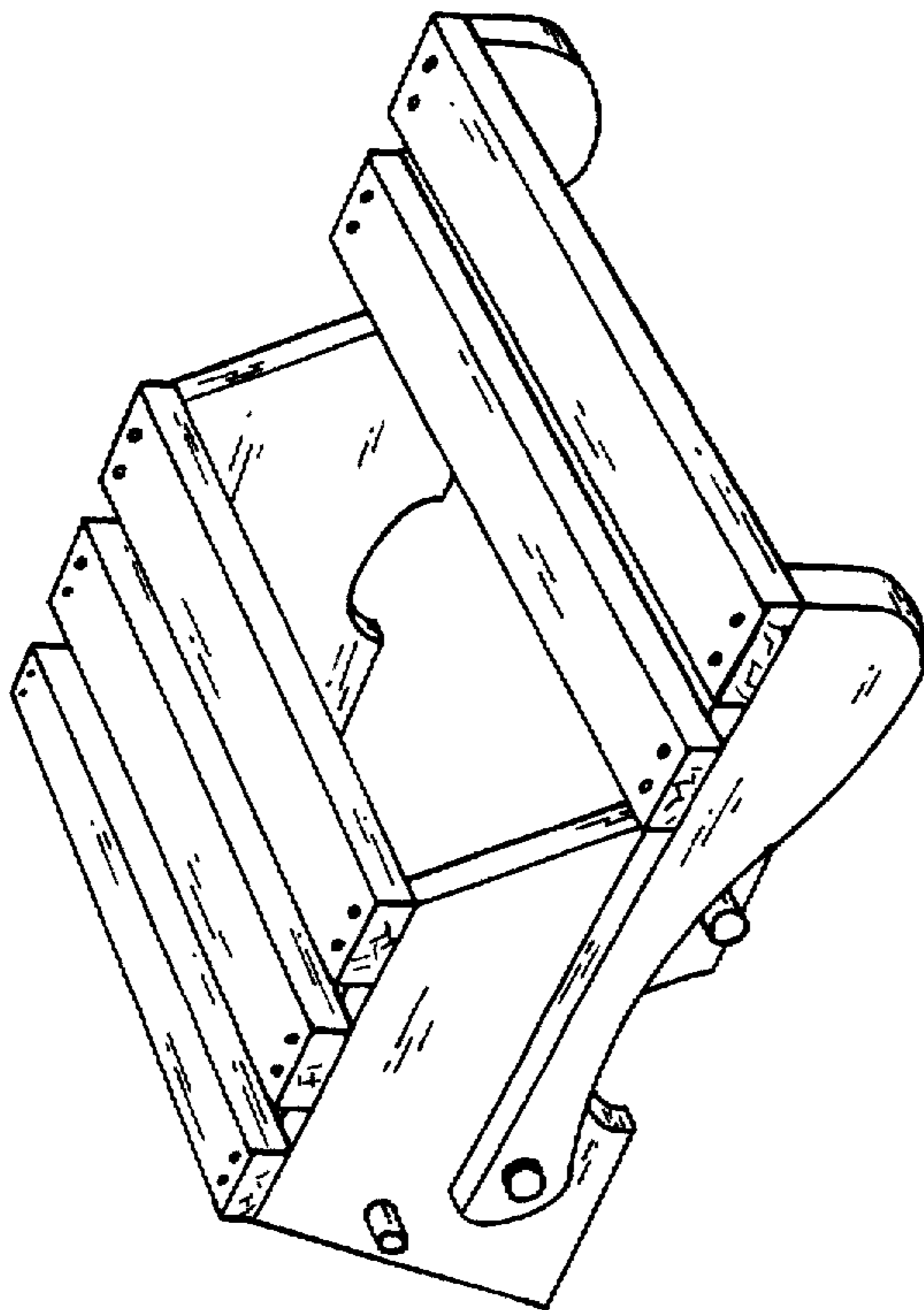


Fig. 8

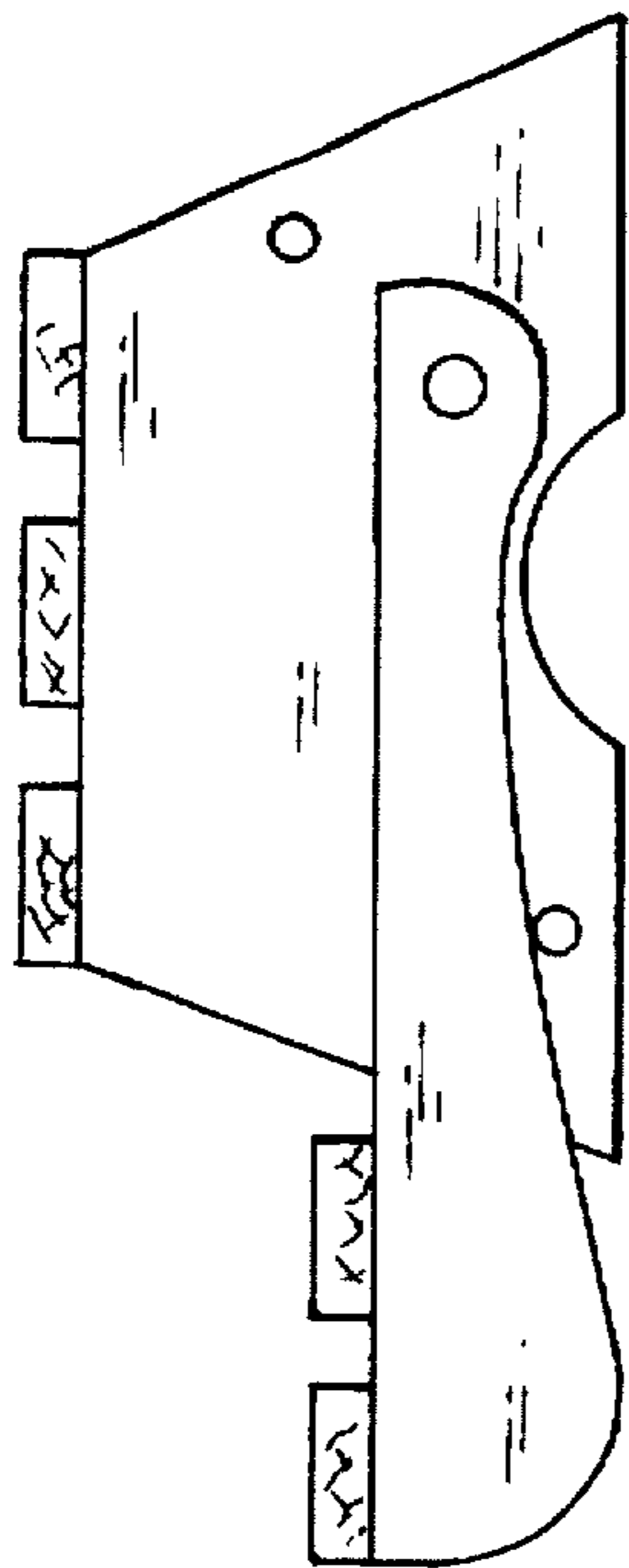


Fig. 11

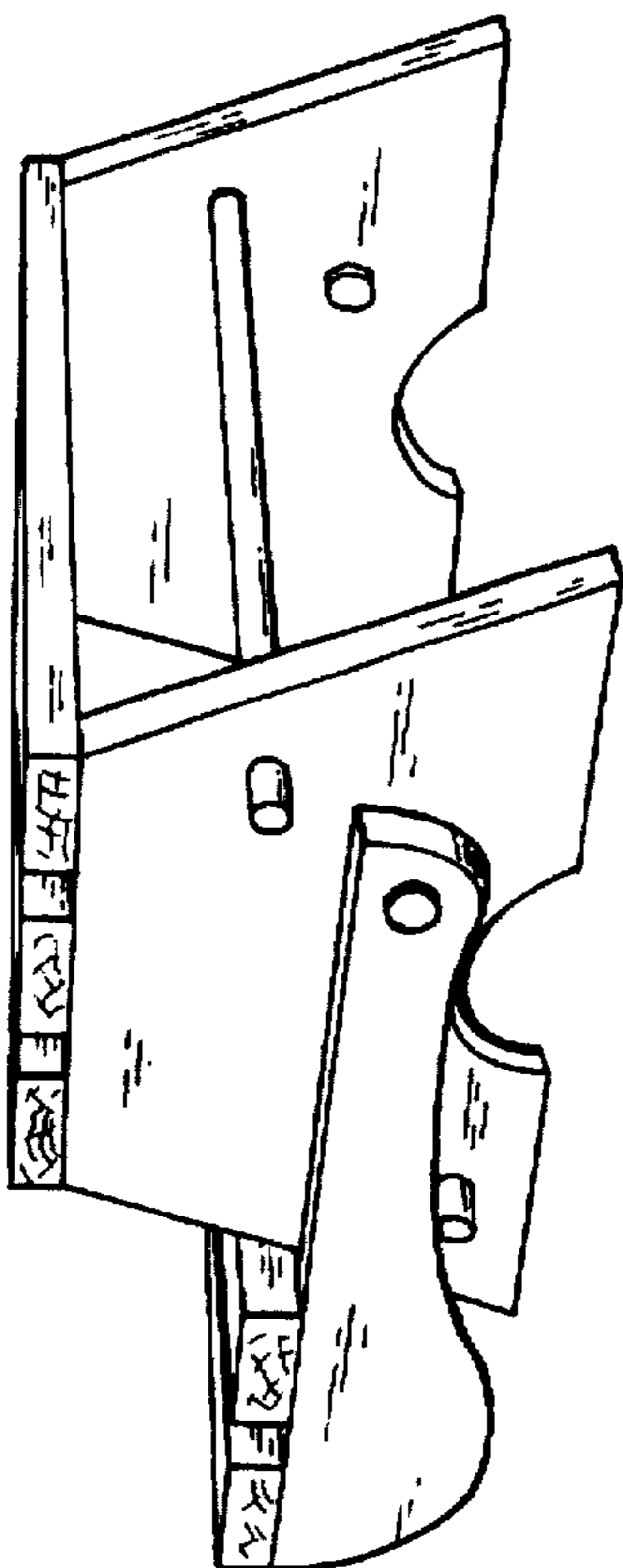


Fig. 10

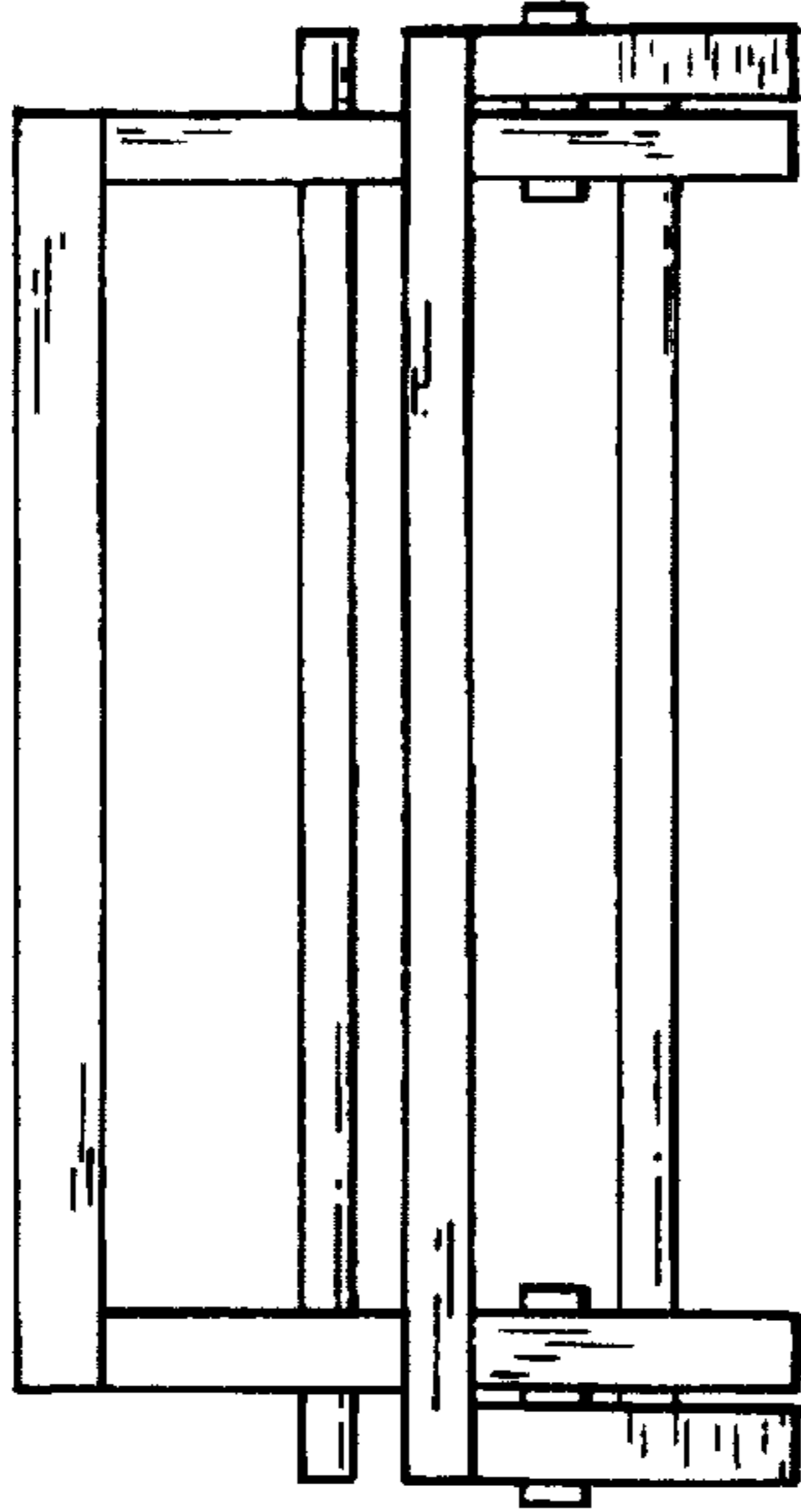


Fig. 13

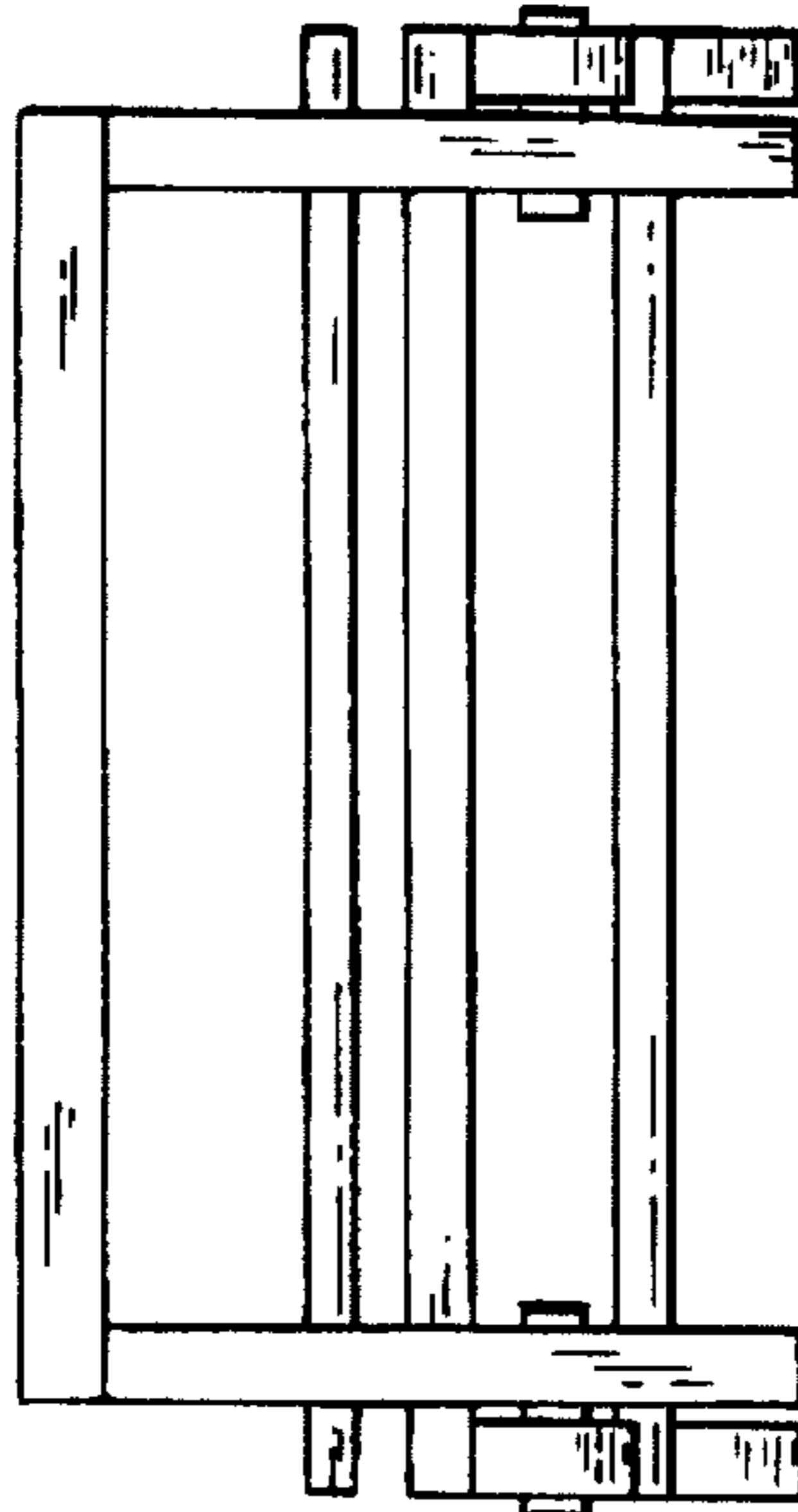


Fig. 12

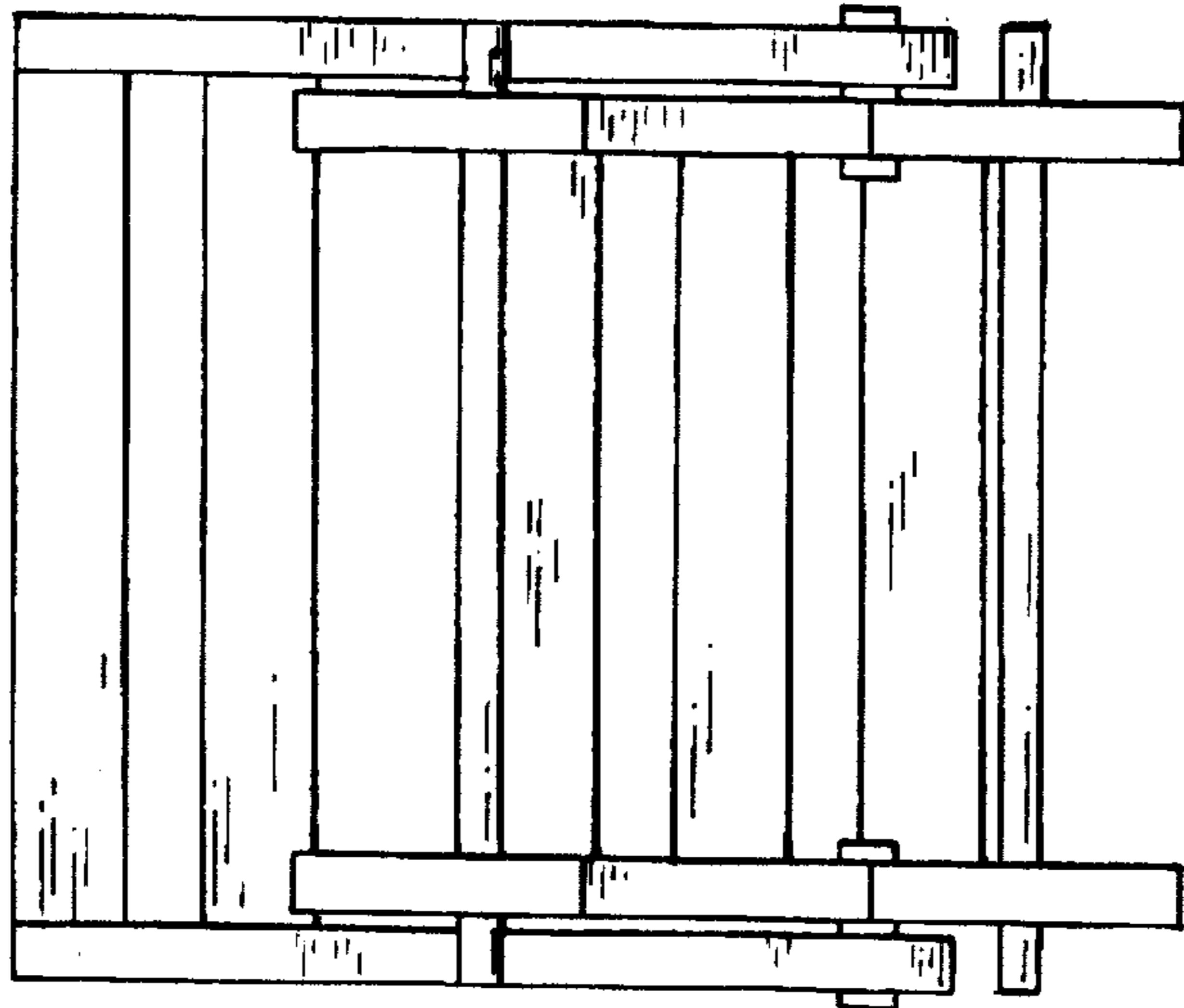


Fig. 15

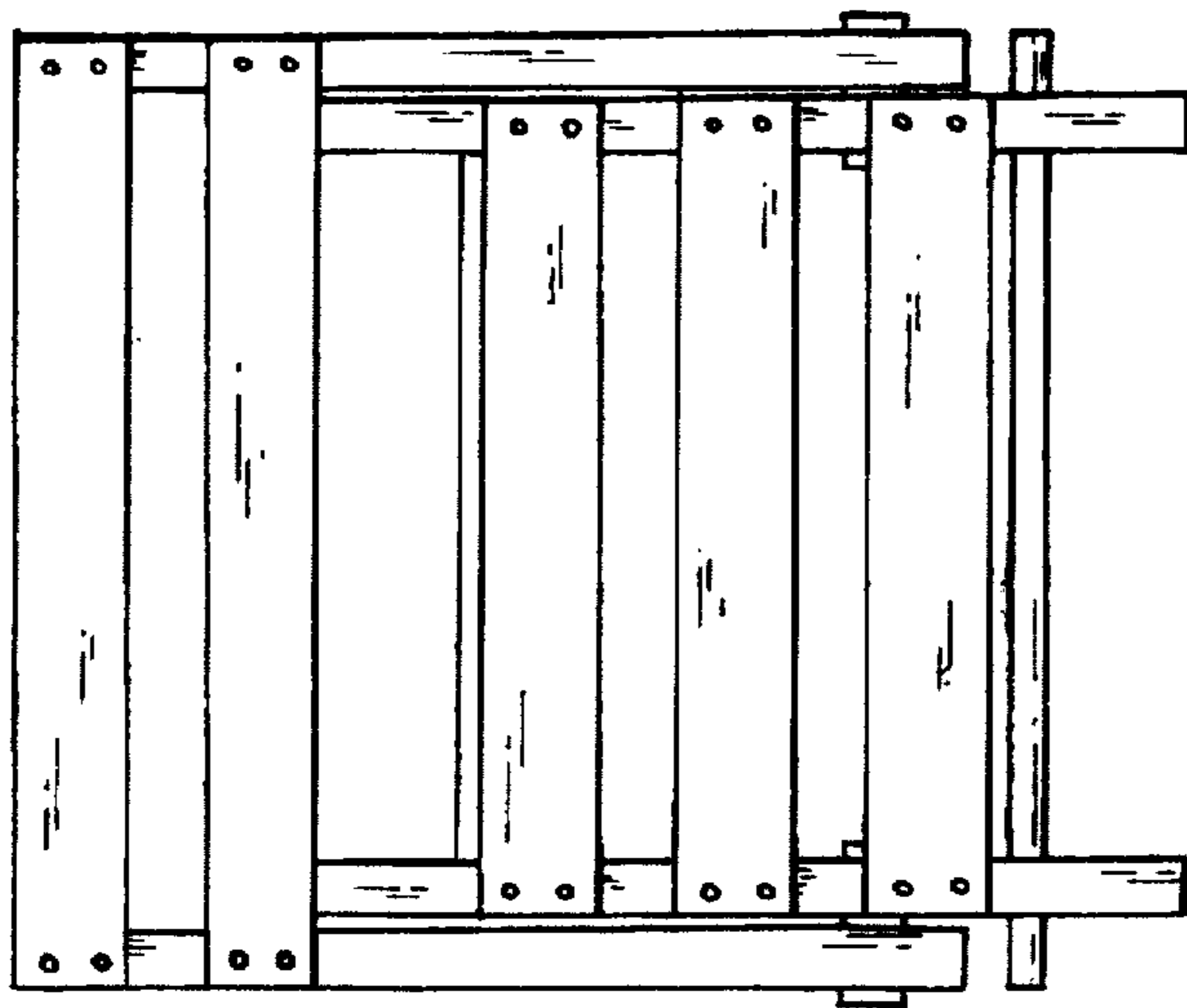


Fig. 14