



US00D396143S

United States Patent [19]

McLaughlin

[11] Patent Number: **Des. 396,143**

[45] Date of Patent: ****Jul. 21, 1998**

[54] **DETACHABLE SHOE POCKET**

1,405,539 2/1922 Moore 190/13 F
5,509,589 4/1996 Kliot 224/637

[76] Inventor: **Darren C. McLaughlin**, 3840 E. 117th Ave., Thornton, Colo. 80233

Primary Examiner—Prabhakar G. Deshmukh

[**] Term: **14 Years**

[57] **CLAIM**

[21] Appl. No.: **78,350**

The ornamental design for a detachable shoe pocket, as shown.

[22] Filed: **Oct. 10, 1997**

DESCRIPTION

[51] LOC (6) Cl. **03-01**

FIG. 1 is a front elevational view of the detachable shoe pocket of the present invention;

[52] U.S. Cl. **D3/201; D3/218**

FIG. 2 is a back elevational view of the detachable shoe pocket of FIG. 1;

[58] Field of Search D3/318, 319, 303, D3/201, 243, 261; D2/864, 909, 946, 999; 150/154; 190/13 F, 13 R. 1

FIG. 3 is a left side elevational view of the detachable shoe pocket of FIG. 1;

[56] **References Cited**

FIG. 4 is a right side elevational view of the detachable shoe pocket of FIG. 1;

U.S. PATENT DOCUMENTS

FIG. 5 is a top plan view of the detachable shoe pocket of FIG. 1; and

- D. 288,865 3/1987 Nace D3/218
- D. 318,949 8/1991 Mawhinney et al. D3/303 X
- D. 349,450 8/1994 Wales, III D3/303 X
- D. 365,441 12/1995 Drake et al. D3/201 X
- 914,313 3/1909 Ryan 190/13 F
- 1,030,940 7/1912 Subberg 190/13 F

FIG. 6 is a bottom plan view of the detachable shoe pocket of FIG. 1.

1 Claim, 3 Drawing Sheets

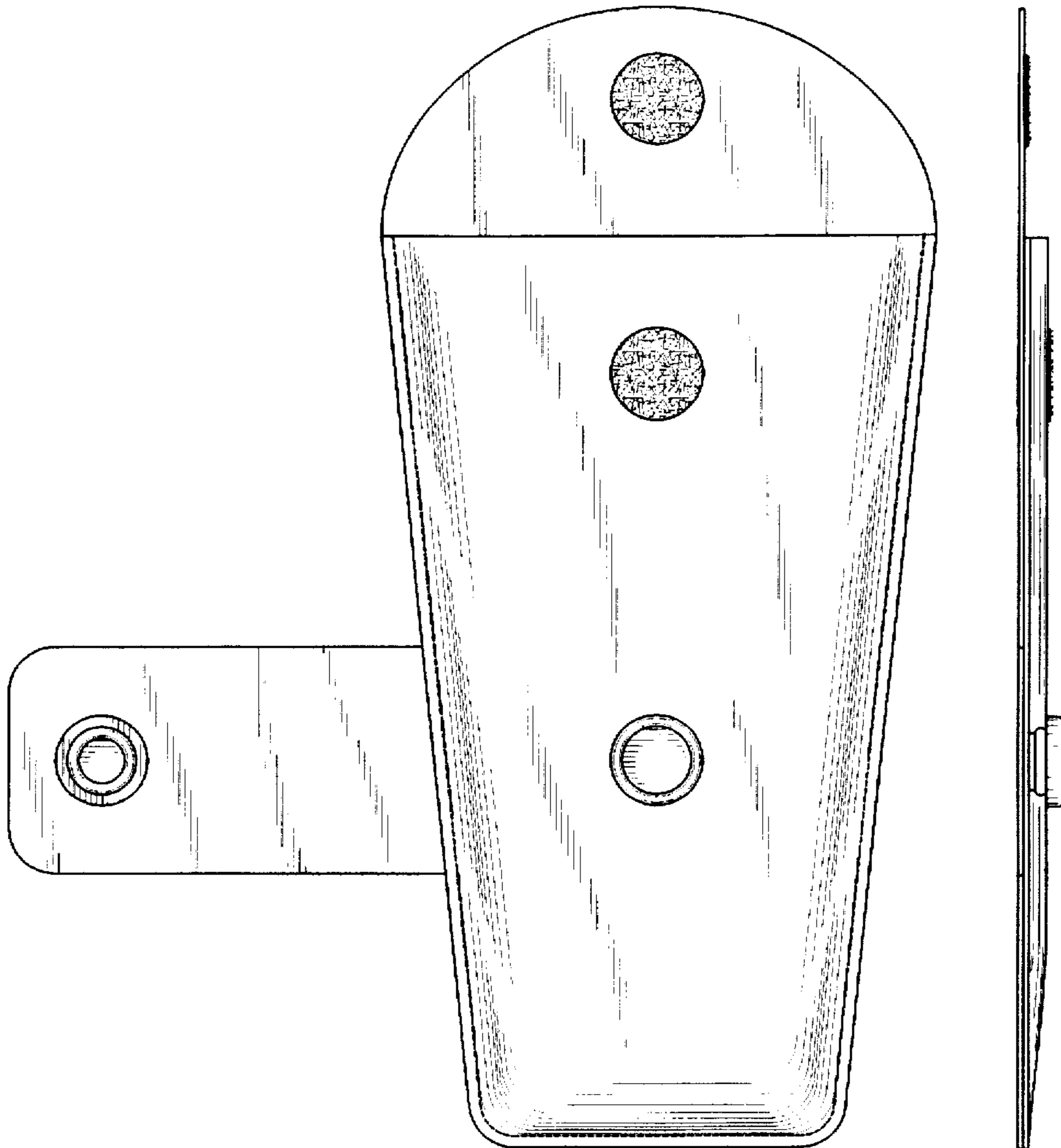


FIG. 1

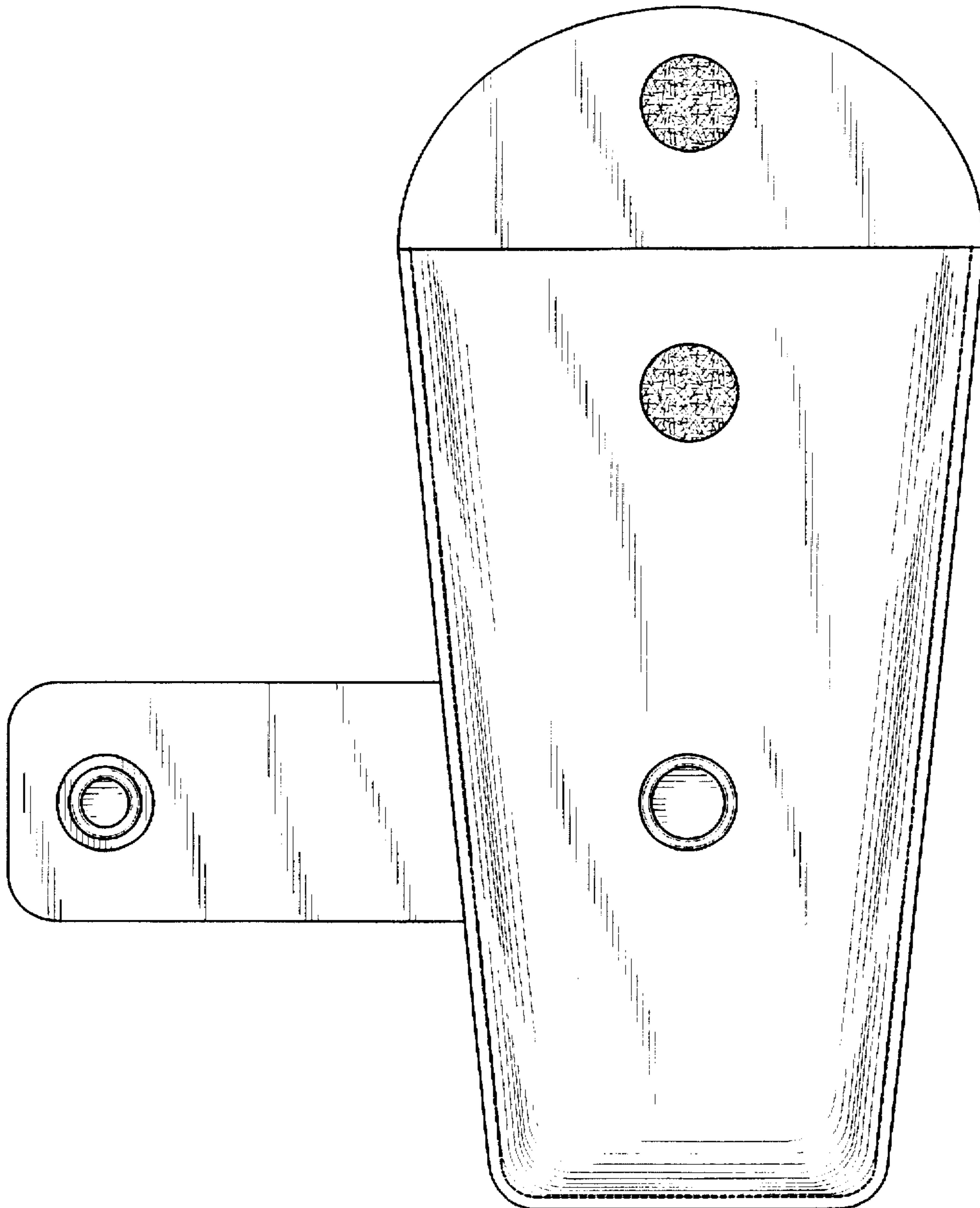


FIG. 2

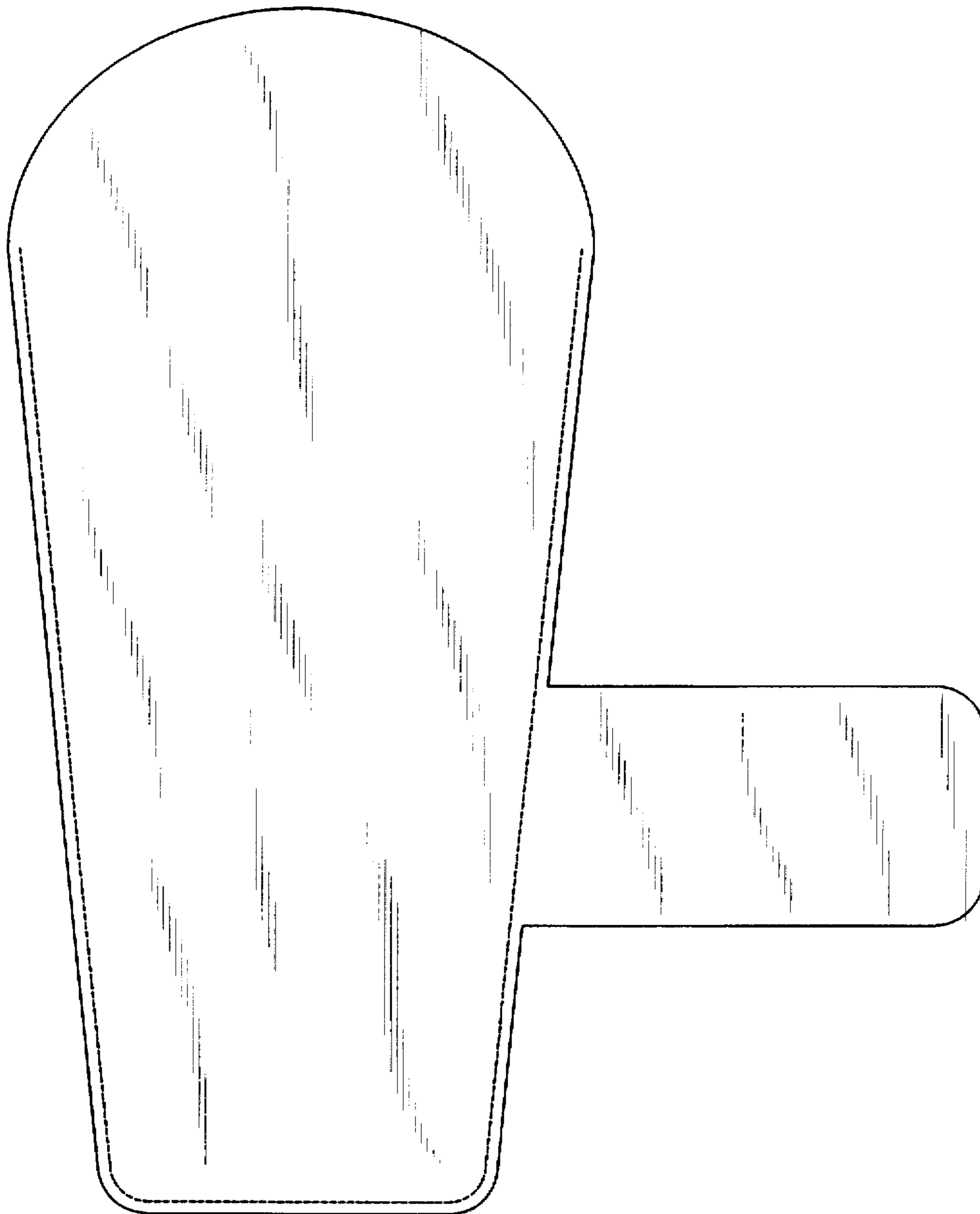


FIG. 3

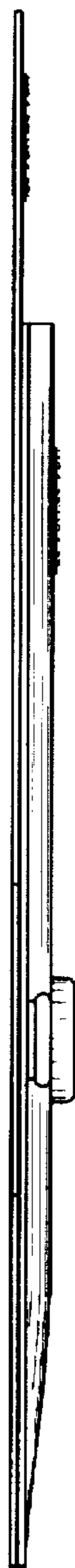


FIG. 4



FIG. 5



FIG. 6

