



US00D396133S

United States Patent [19]
Stein

[11] **Patent Number: Des. 396,133**
[45] **Date of Patent: **Jul. 14, 1998**

[54] **DEVICE FOR MAKE-UP CONTAINERS**

[76] **Inventor: Boaz Stein, 37/1 Kehilat Lodj St., Tel Aviv, Israel**

[**] **Term: 14 Years**

[21] **Appl. No.: 56,941**

[22] **Filed: Jul. 12, 1996**

[30] **Foreign Application Priority Data**

Apr. 2, 1996 [IL] Israel 26107

[51] **LOC (6) Cl. 28-03**

[52] **U.S. Cl. D28/73; D7/555; D7/701; D9/341; D9/455**

[58] **Field of Search D28/73, 77; D9/341, D9/344, 414, 424, 425, 432, 455-6; D7/550-557, 701, 707, 708, 619, 590, 598; 211/71.01, 74; 248/346.01, 346.5; 206/486, 581, 823, 509, 562, 564, 575, 1.7, 1.8, 1.9, 81, 427, 139, 201, 203; 220/23.2, 23.4, 23.8, 23.83, 509, 510, 512, 515, 519, 528, 553-555; 132/286, 294, 314, 315**

[56] **References Cited**

U.S. PATENT DOCUMENTS

D. 215,648 10/1969 Vignelli D9/341

1,351,387 8/1920 Jesse 211/74 X
1,693,906 12/1928 Lippincott 220/512
2,360,224 10/1944 Hannaford 211/74 X
2,365,143 12/1944 Emery 132/294
2,371,448 3/1945 Kendig 132/314
4,364,904 12/1982 Eberle 211/74 X
4,694,961 9/1987 Menendez 220/23.6 X

FOREIGN PATENT DOCUMENTS

179005 4/1986 European Pat. Off. 206/823

Primary Examiner—Ted Shooman
Assistant Examiner—C. Tuttle
Attorney, Agent, or Firm—Darby & Darby

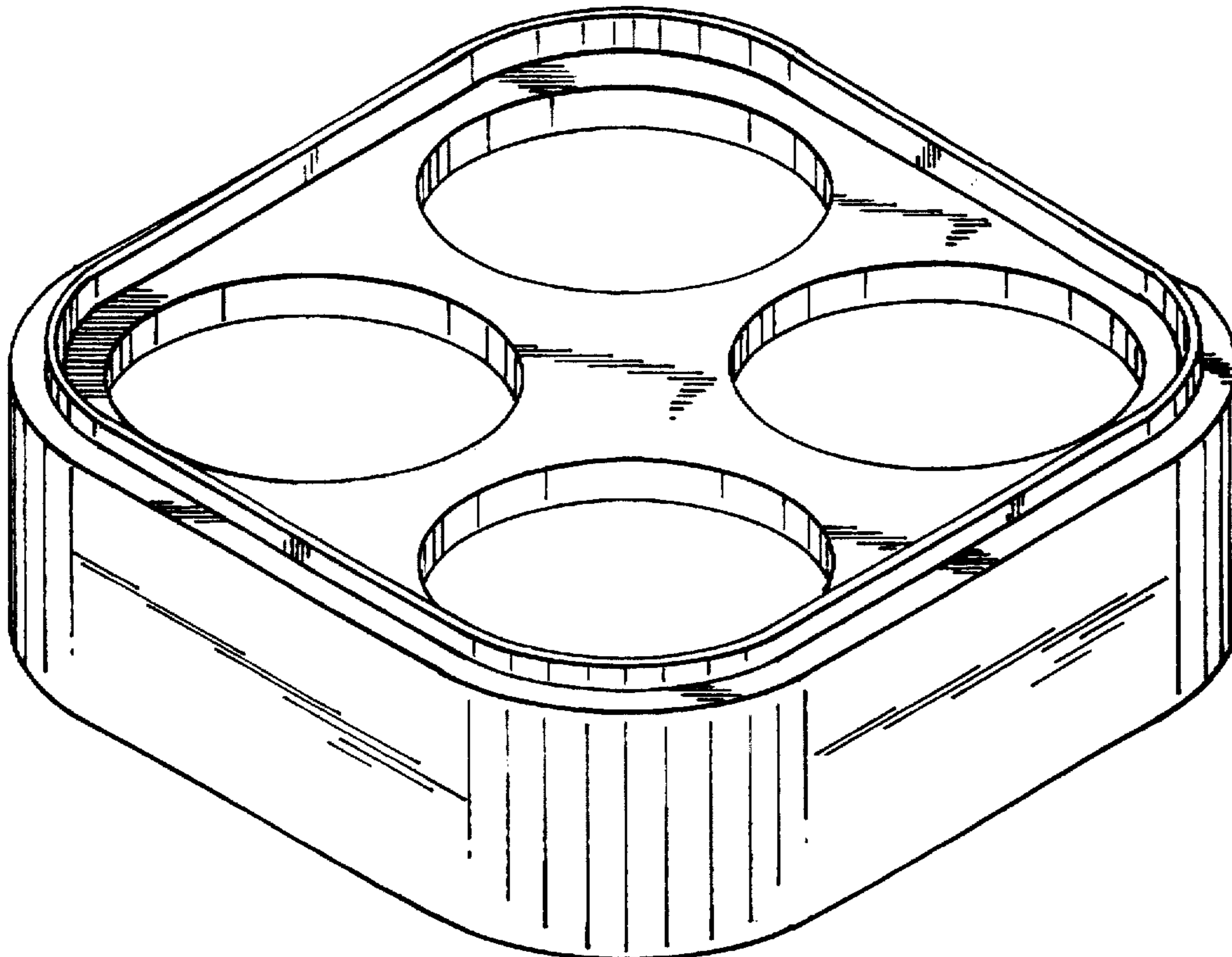
[57] **CLAIM**

The ornamental design for a device for make-up containers, as shown and described.

DESCRIPTION

FIG. 1 is a top plan view of my new design for a device for make-up containers;
FIG. 2 is a bottom plan view thereof;
FIG. 3 is a side elevational view thereof;
FIG. 4 is a top perspective view thereof; and,
FIG. 5 is a bottom perspective view thereof.

1 Claim, 3 Drawing Sheets



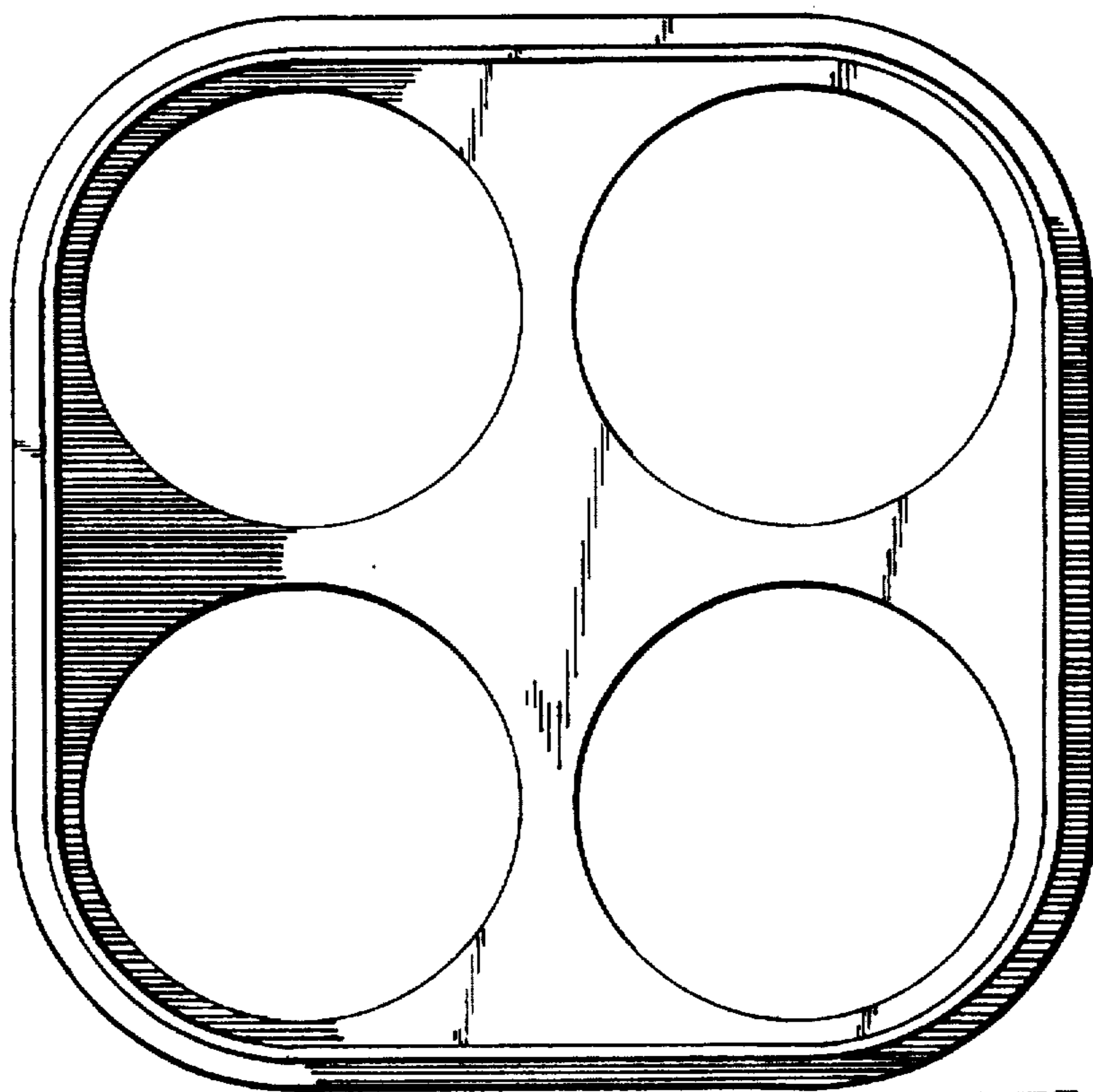


Fig. 1

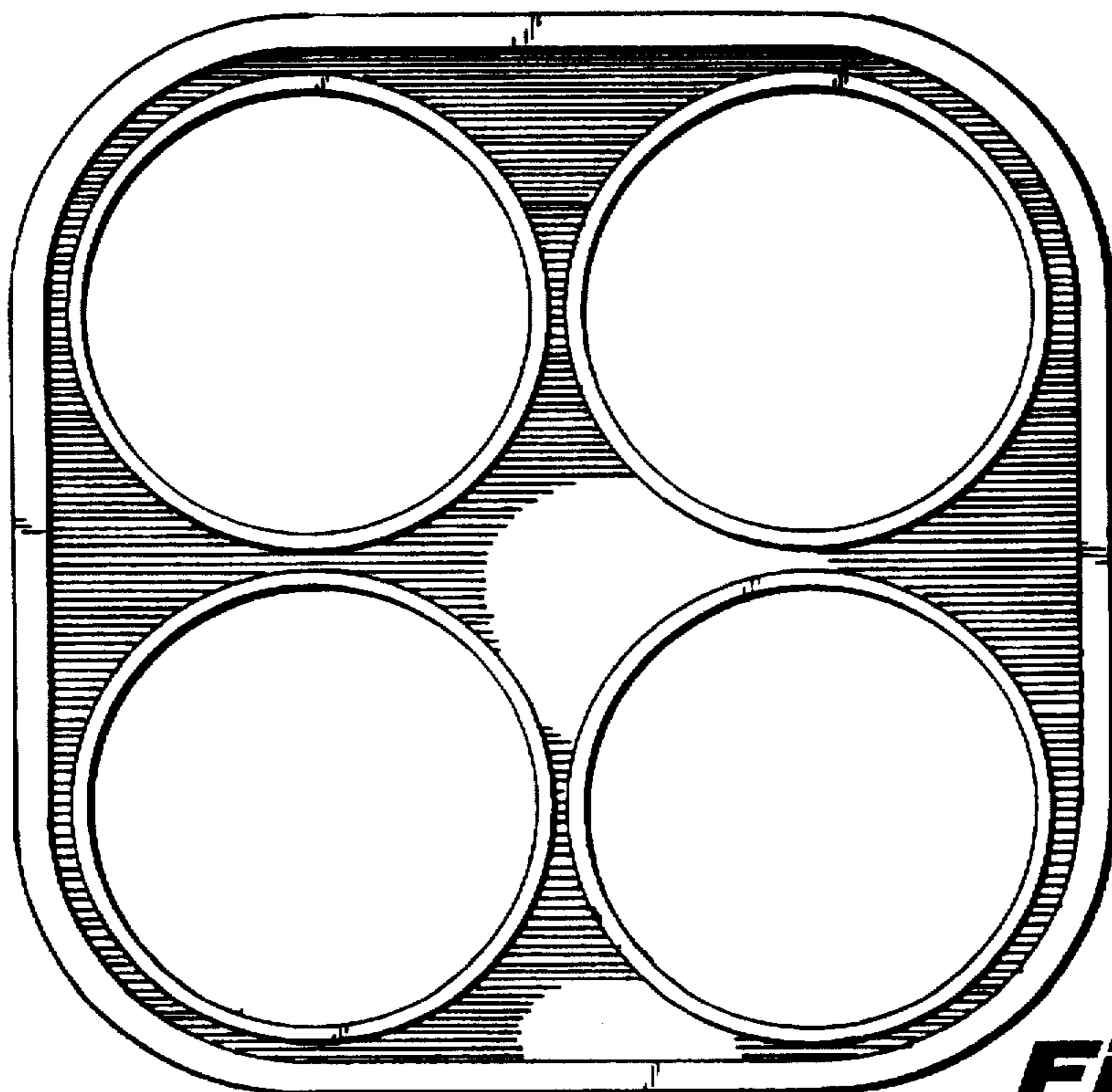


Fig. 2

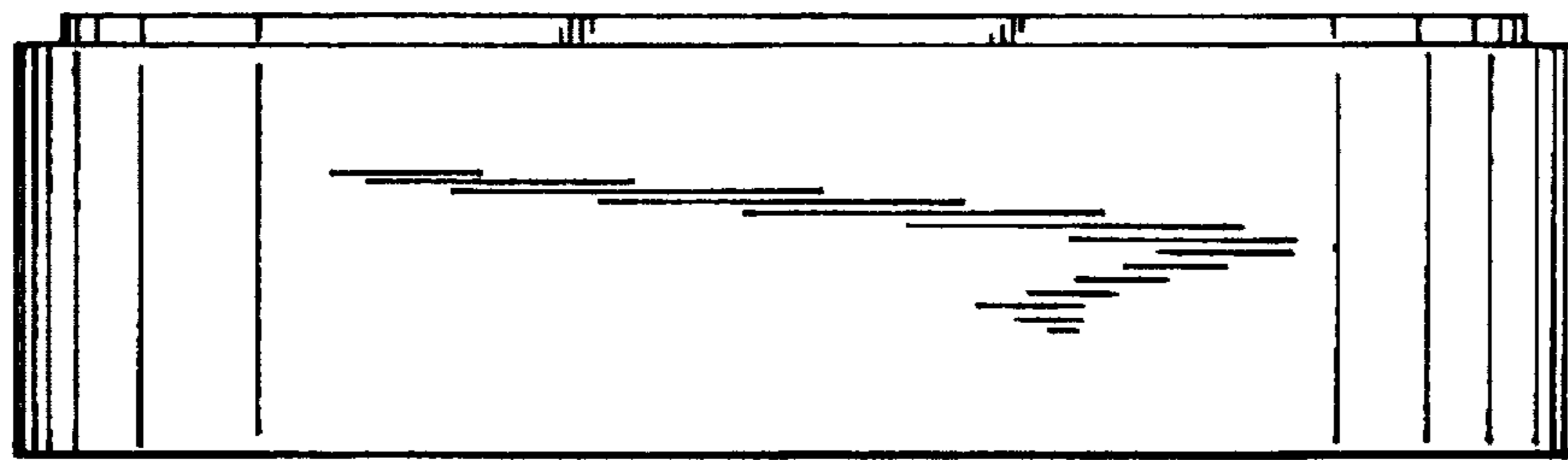


Fig. 3

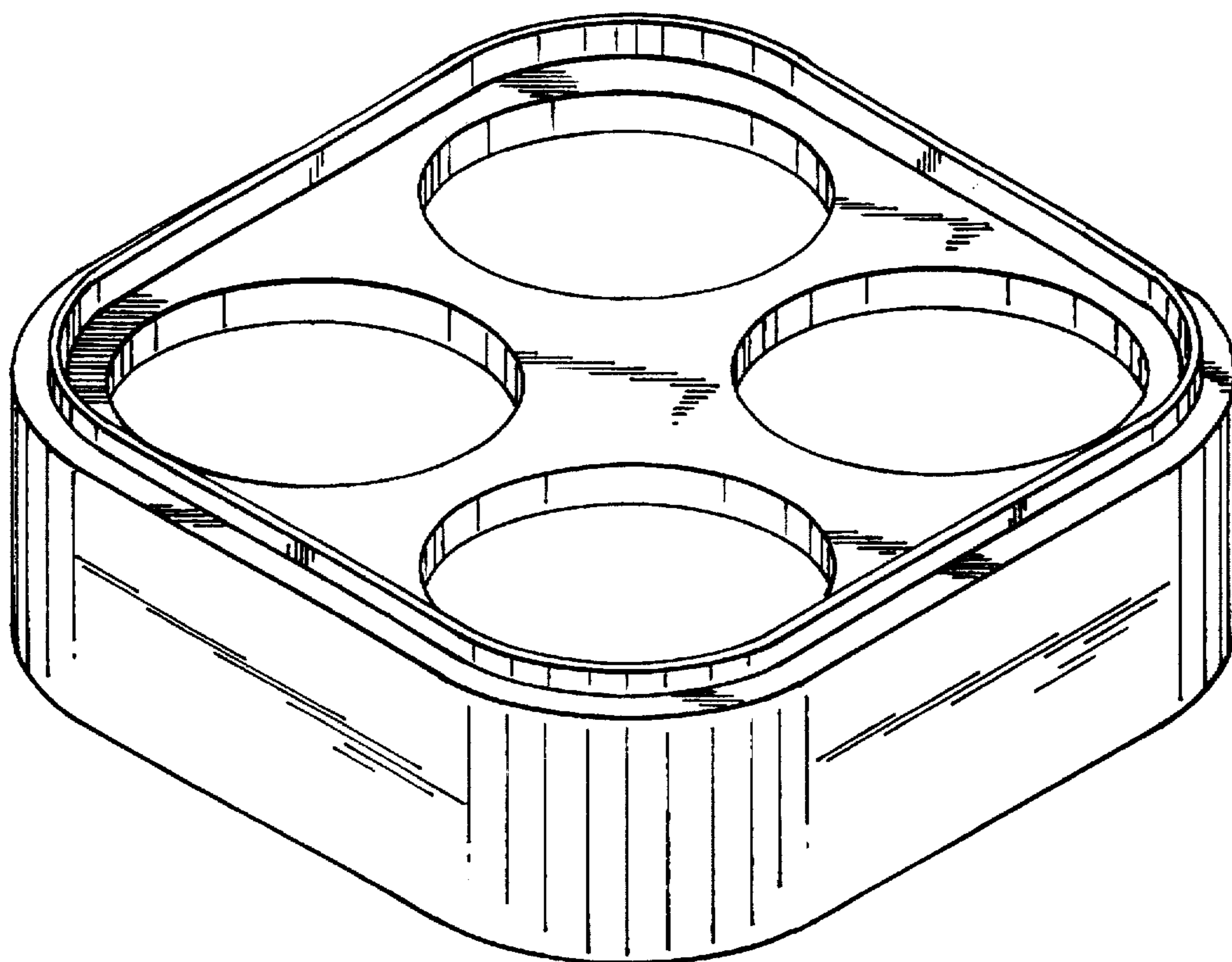


Fig. 4

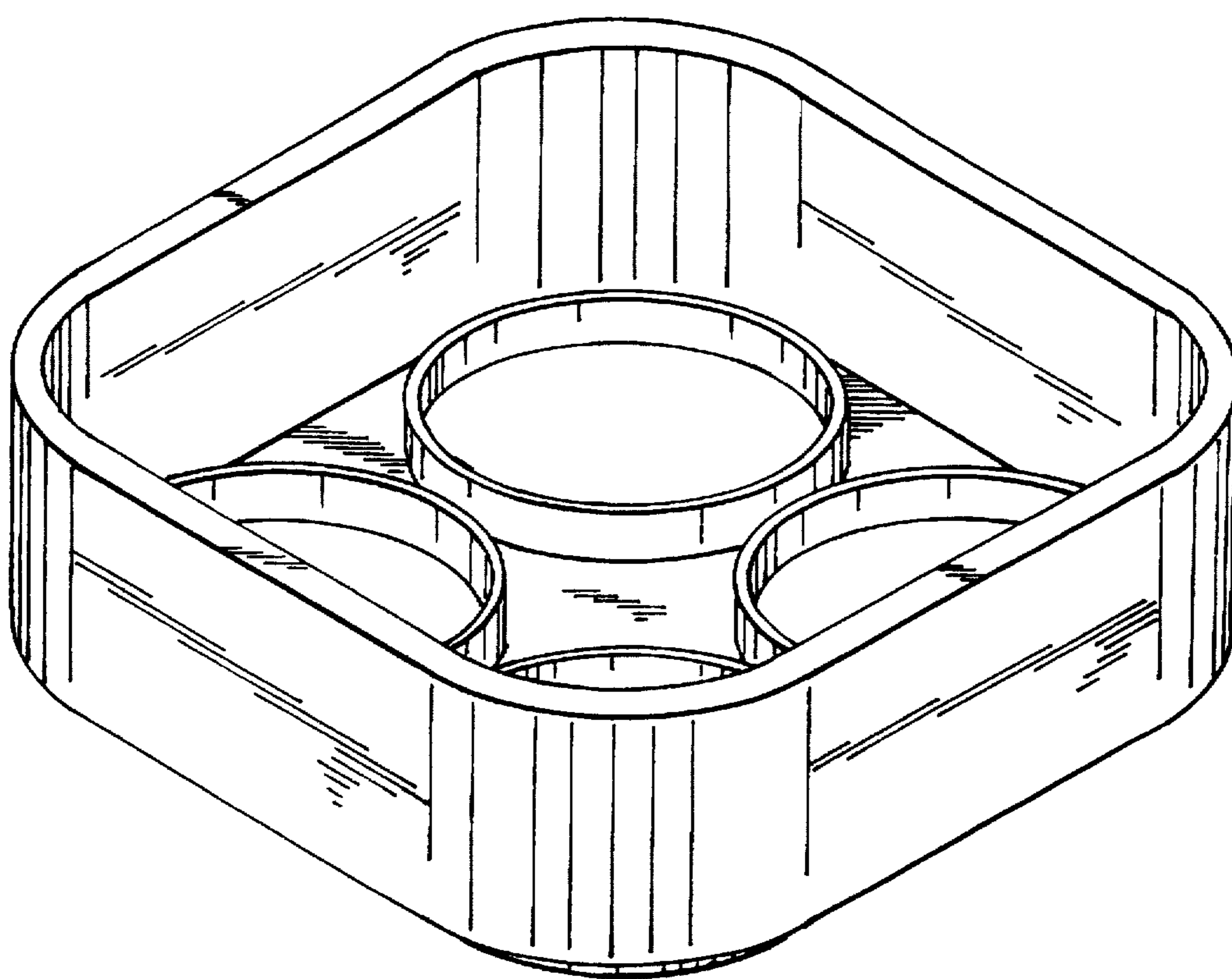


Fig. 5