

US00D396123S

# United States Patent [19]

Swanson

[11] Patent Number: Des. 396,123

[45] Date of Patent: \*\*Jul. 14, 1998

[54] TORCHIERE LAMP WITH SINGLE FLEX ARM TASK LIGHT

5,016,154 5/1991 Leeyeh ..... 362/414

### OTHER PUBLICATIONS

[75] Inventor: Dennis K. Swanson, Woodland Hills, Calif.

Home Lighting & Accessories, Dec. 1993, p. 180, Floor Lamp.

[73] Assignee: Lamps Plus, Inc., Chatsworth, Calif.

Lightolier Table & Floor Lamp Catalog, p. 4, Floor Lamp #8046.

[\*\*] Term: 14 Years

Primary Examiner—Susan J. Lucas

Attorney, Agent, or Firm—Fulbright & Jaworski L.L.P.

[21] Appl. No.: 49,794

### [57] CLAIM

[22] Filed: Jan. 31, 1996

The ornamental design of a torchiere lamp with single flex arm task light, as shown and described.

[51] LOC (6) Cl. .... 26-05

[52] U.S. Cl. .... D26/102; D26/58; D26/62

[58] Field of Search ..... D26/93, 102-112, D26/62, 63, 65, 58; 362/410-414, 269, 275, 287, 418, 419, 427, 127, 250, 401

### DESCRIPTION

### [56] References Cited

#### U.S. PATENT DOCUMENTS

- D. 290,521 6/1987 Engel ..... D26/62
- D. 348,113 6/1994 Swanson ..... D26/63
- D. 353,904 12/1994 Swanson ..... D26/63

FIG. 1 is a perspective view of a torchiere lamp with single flex arm task light in accordance with the present invention; FIG. 2 is a left side elevational view thereof; FIG. 3 is a front elevational view thereof; FIG. 4 is a right side elevational view thereof; FIG. 5 is a top view thereof; and, FIG. 6 is a bottom view thereof.

1 Claim, 3 Drawing Sheets

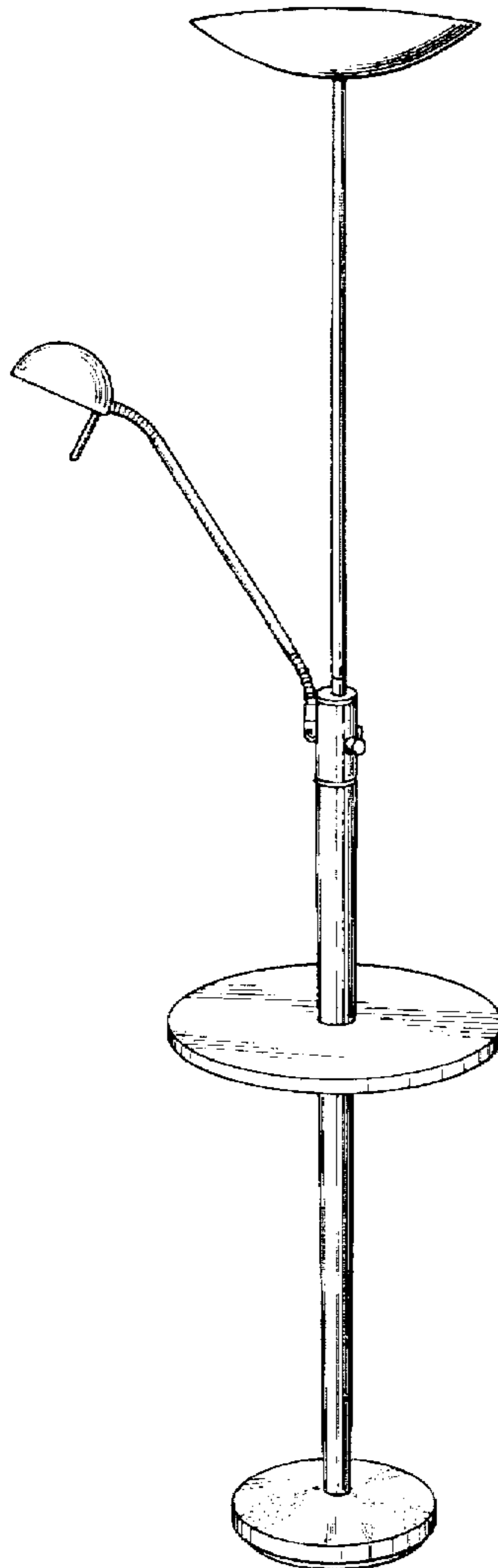


FIG. 1

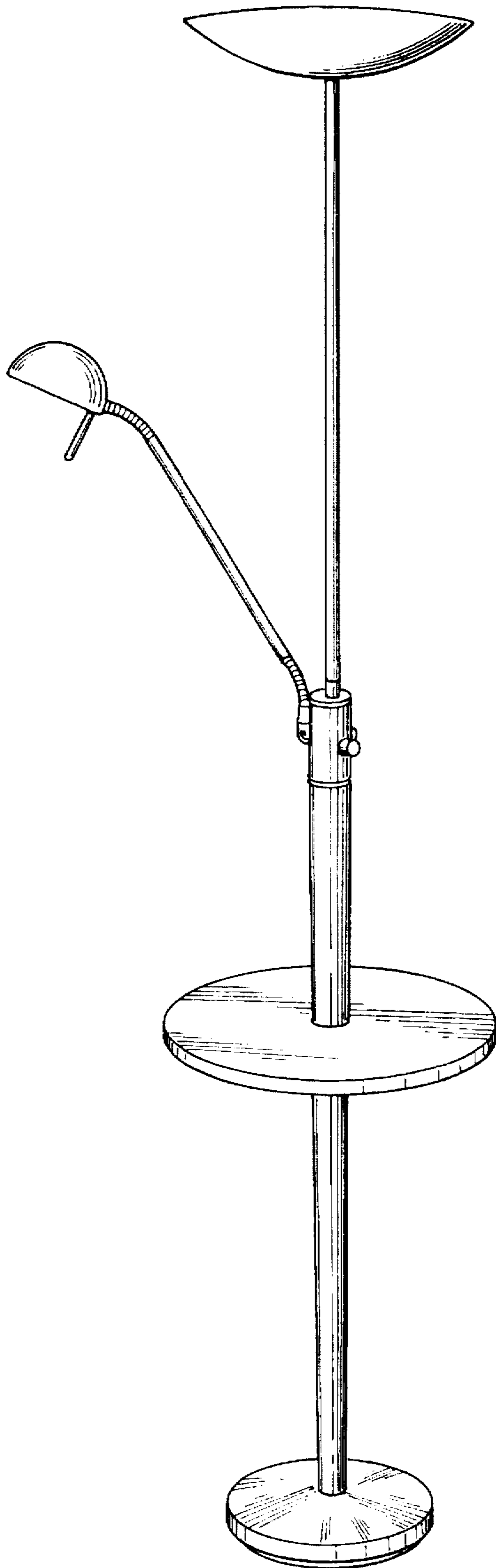


FIG. 2

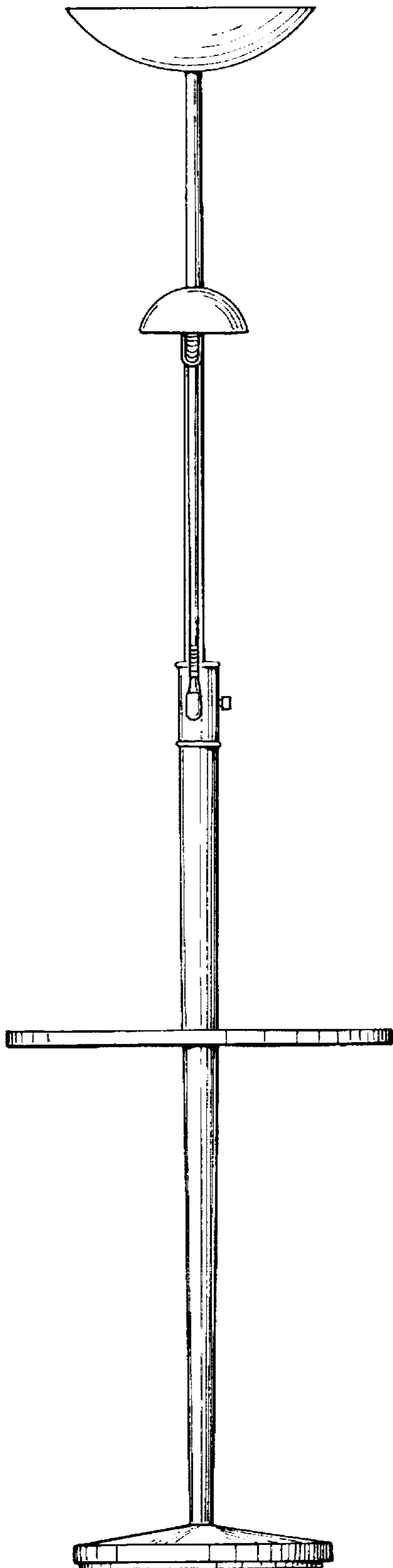
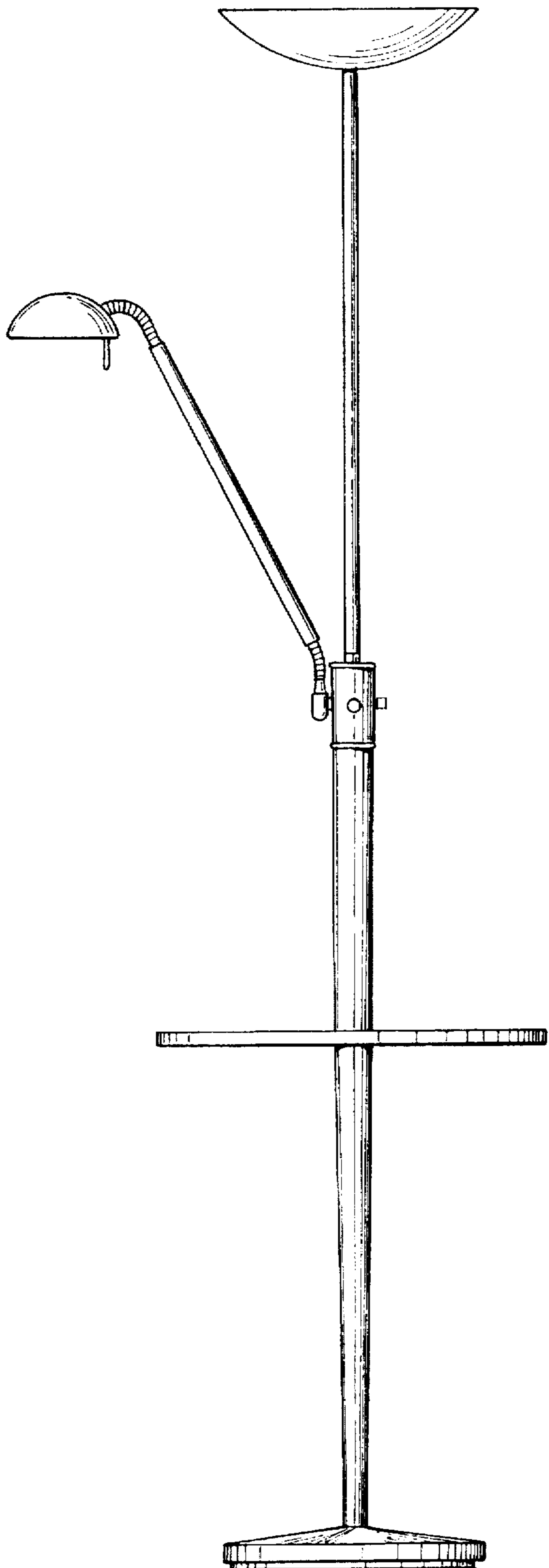


FIG. 3



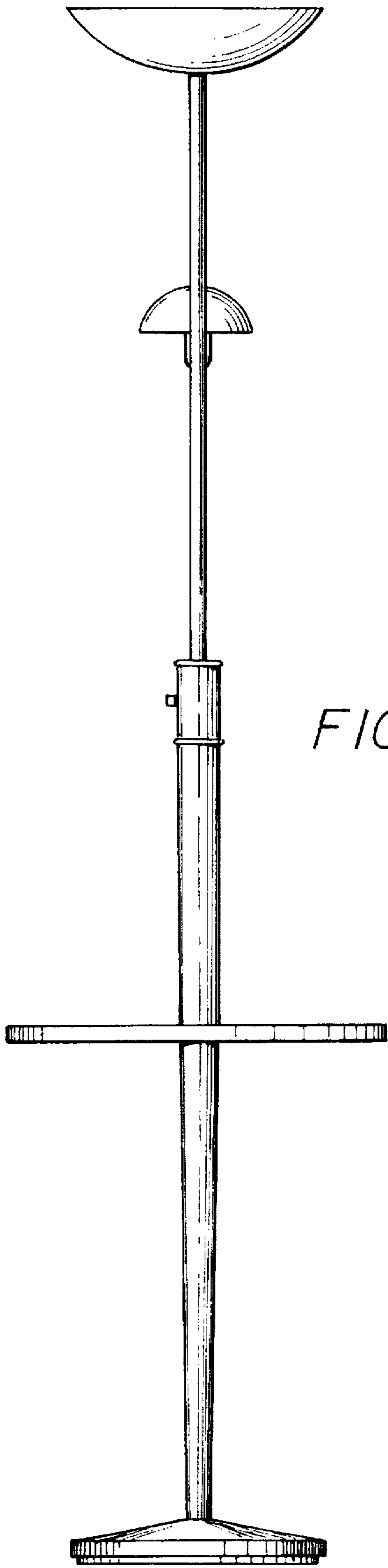


FIG. 4

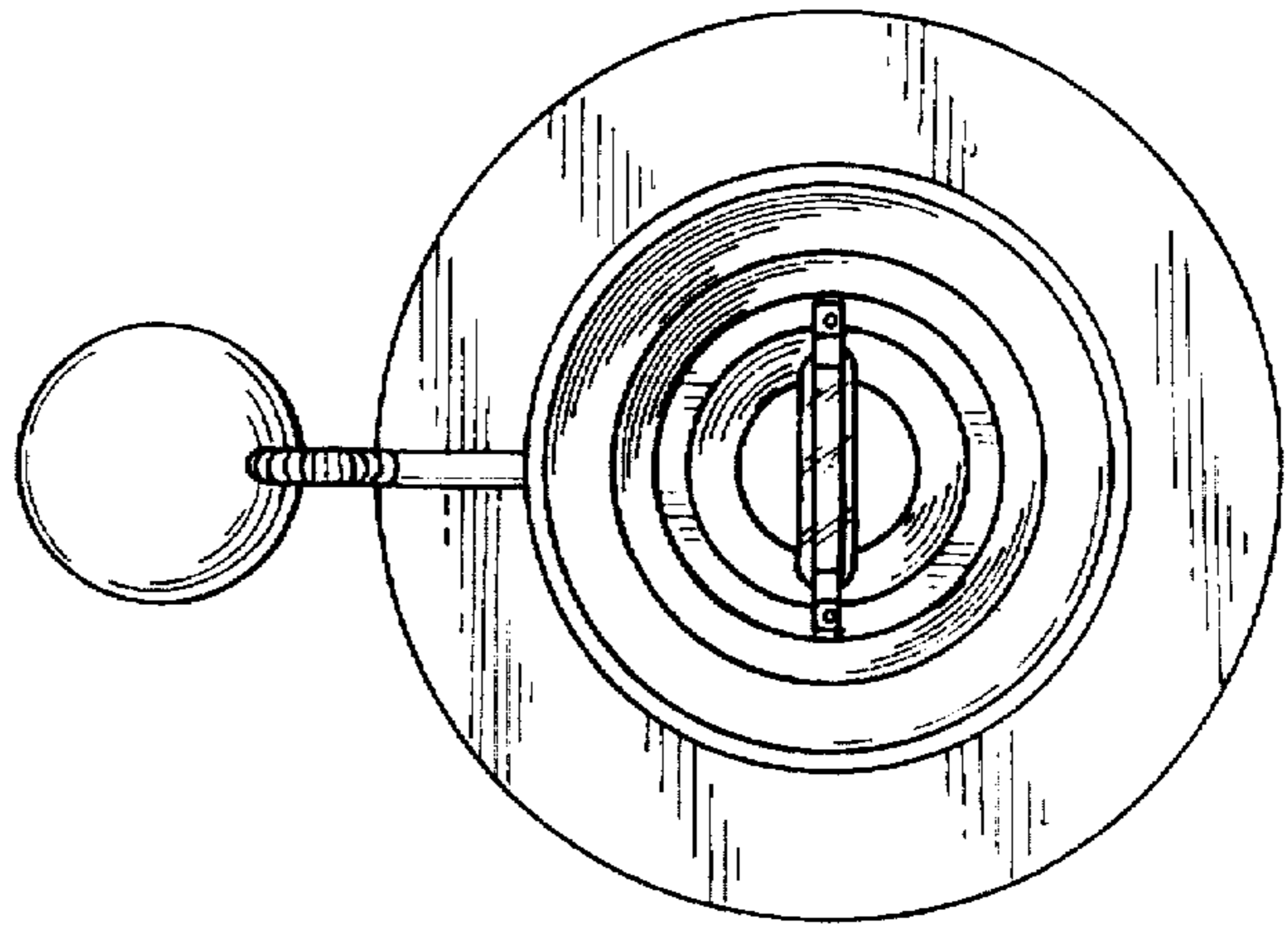


FIG. 5

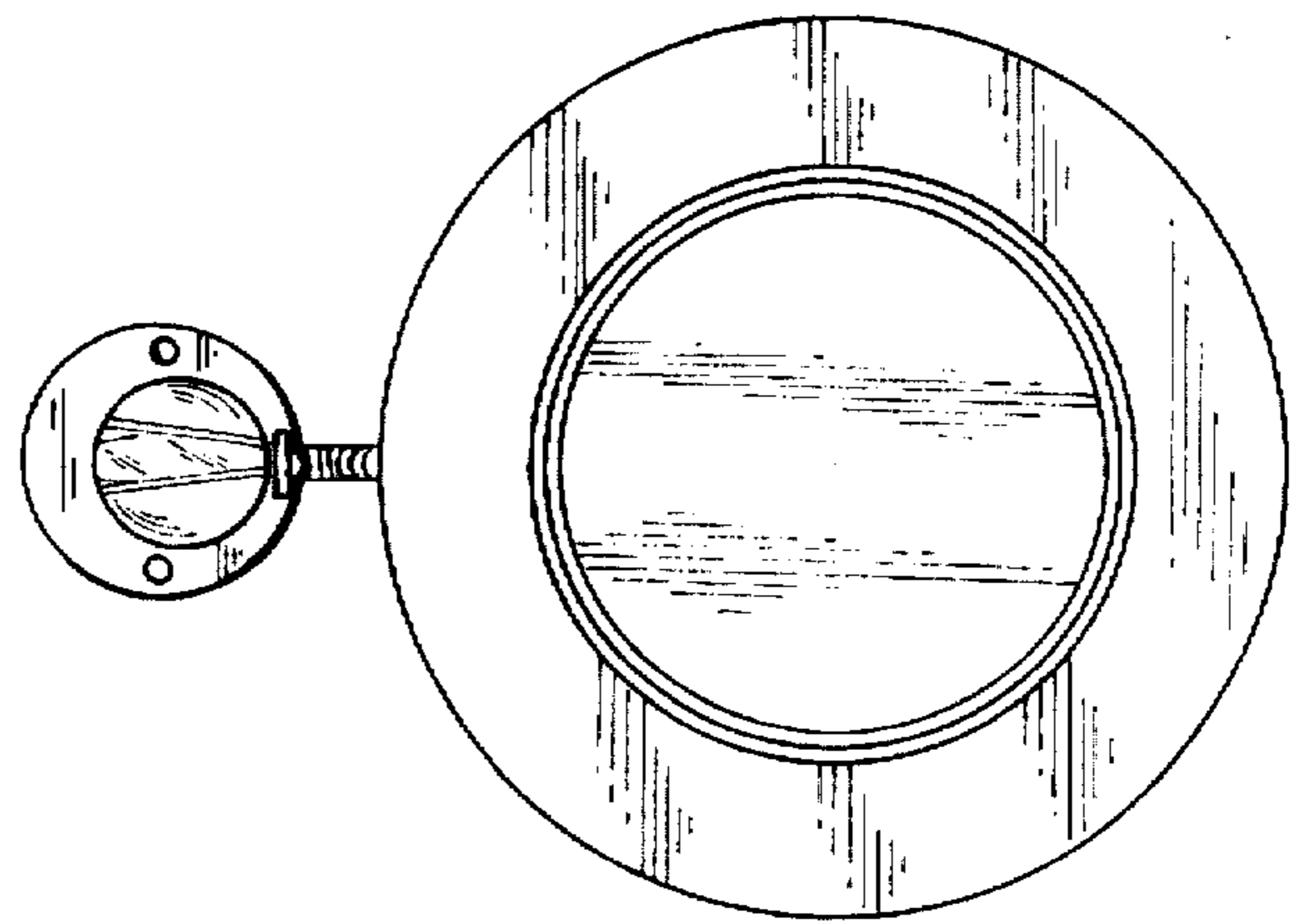


FIG. 6