



US00D396122S

United States Patent [19]
Noh

[11] **Patent Number:** **Des. 396,122**
[45] **Date of Patent:** ****Jul. 14, 1998**

[54] **FLUORESCENT LAMP**

[75] **Inventor:** **Shi Youl Noh**, Seoul, Rep. of Korea

[73] **Assignee:** **Boam R & D Co., Ltd.**, Kyonggi-do, Rep. of Korea

[**] **Term:** **14 Years**

[21] **Appl. No.:** **70,400**

[22] **Filed:** **Apr. 16, 1997**

D. 280,346 8/1985 Aspenwall D26/75
D. 348,946 7/1994 Watters et al. D26/76
D. 381,760 7/1997 Costa D26/76
4,229,780 10/1980 Nelson 362/376 X

Primary Examiner—Susan J. Lucas
Attorney, Agent, or Firm—Jacobson, Price, Holman & Stern, PLLC

Related U.S. Application Data

[62] Division of Ser. No. 801,404, Feb. 20, 1997.

[51] **LOC (6) Cl.** **26-05**

[52] **U.S. Cl.** **D26/76**

[58] **Field of Search** D26/74-78; 362/148, 362/147, 217, 222, 223, 221, 224

[57] **CLAIM**

The ornamental design for a fluorescent lamp, as shown and described.

DESCRIPTION

FIG. 1 is a top, front and right side perspective view;
FIG. 2 is a top plan view thereof;
FIG. 3 is a bottom plan view thereof;
FIG. 4 is front elevational view thereof;
FIG. 5 is a rear elevational view thereof;
FIG. 6 is a left side elevational view thereof; and,
FIG. 7 is a right side elevational view.

[56] **References Cited**

U.S. PATENT DOCUMENTS

D. 280,025 8/1985 Waters D26/75 X

1 Claim, 3 Drawing Sheets

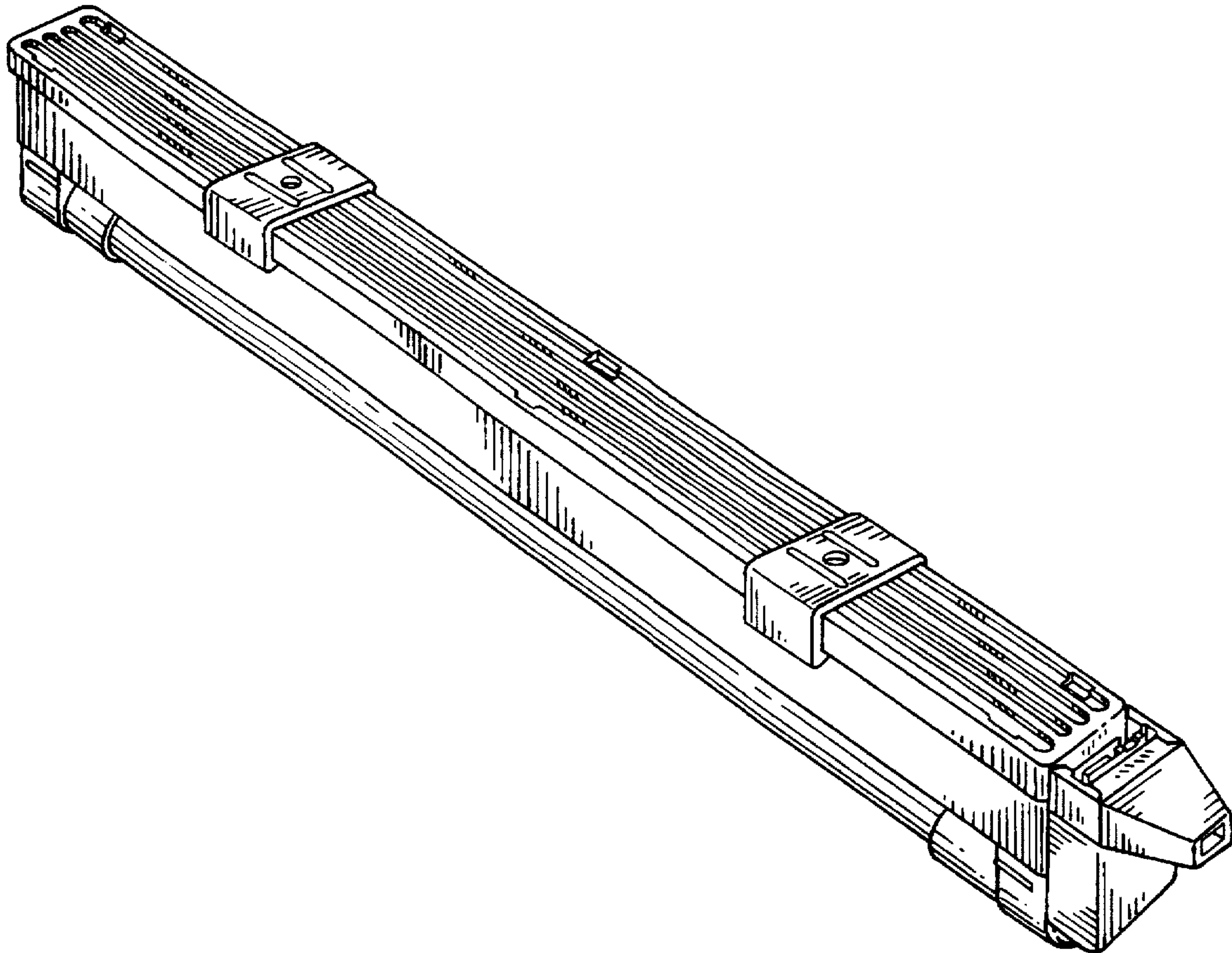


FIG. 1

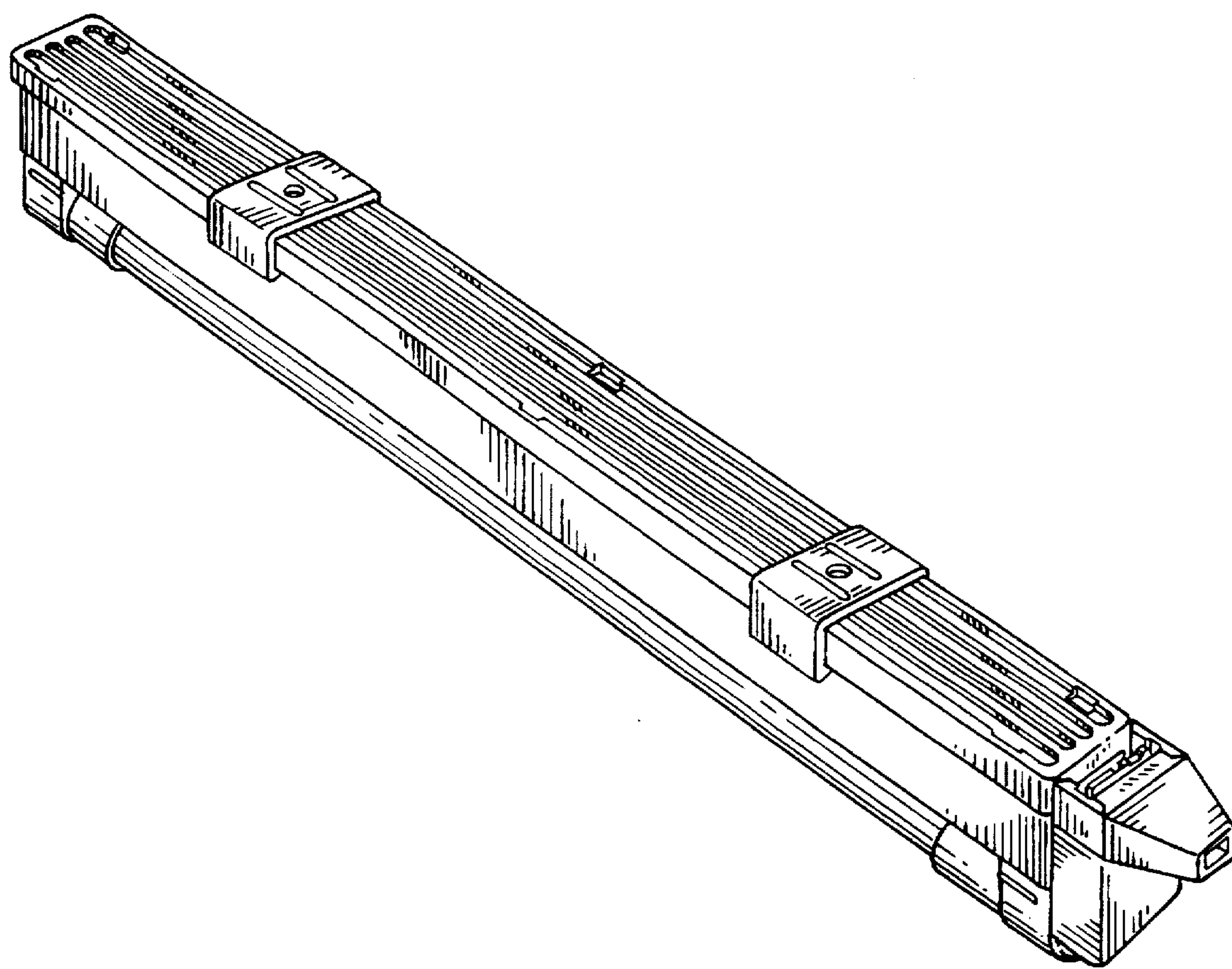


FIG. 2

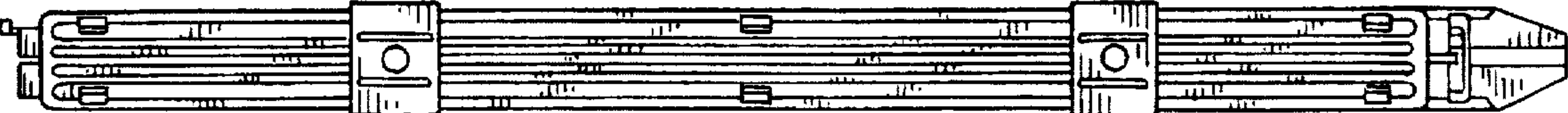


FIG. 3

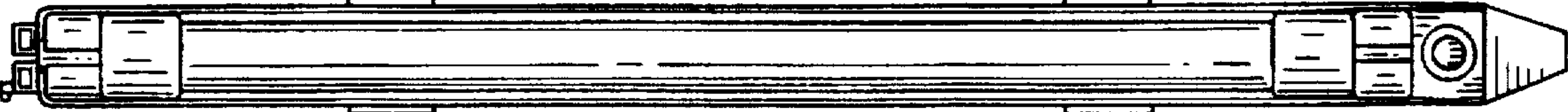


FIG. 4

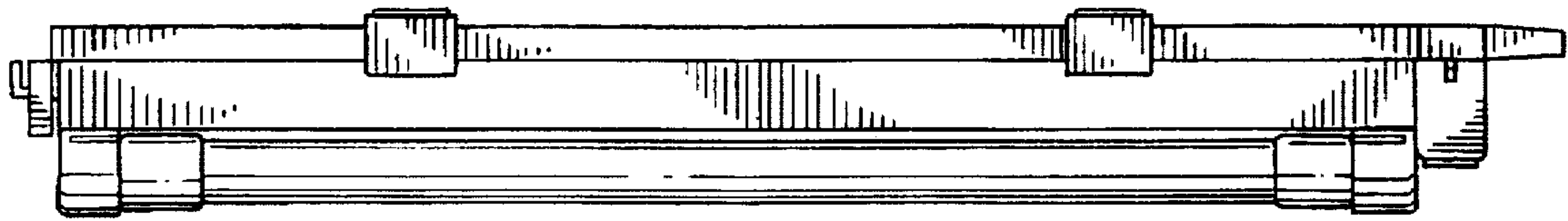


FIG. 5

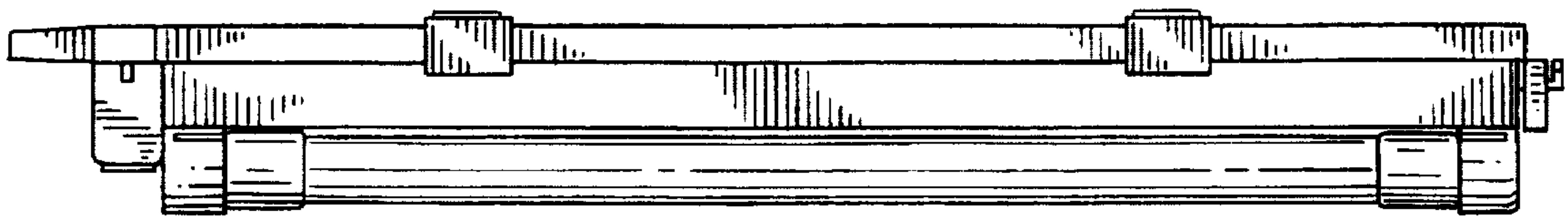


FIG. 6

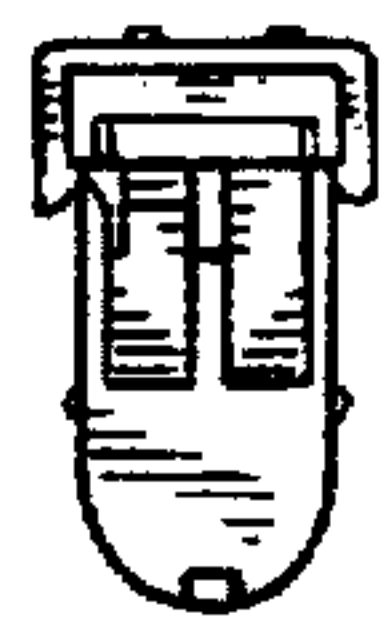


FIG. 7

