



US00D396121S

**United States Patent** [19]  
**West**

[11] **Patent Number:** **Des. 396,121**  
[45] **Date of Patent:** **\*\*Jul. 14, 1998**

[54] **GARDEN LIGHTING FIXTURE**

[76] **Inventor:** **Mark West**, 1388 Calle Violeta,  
Thousand Oaks, Calif. 91360

[\*\*] **Term:** **14 Years**

[21] **Appl. No.:** **66,808**

[22] **Filed:** **Feb. 21, 1997**

[51] **LOC (6) Cl.** ..... **26-05**

[52] **U.S. Cl.** ..... **D26/67; D26/24**

[58] **Field of Search** ..... **D26/67-70, 24,**  
**D26/72, 85, 87, 92; 362/147, 153, 153.1,**  
**362, 431, 432**

[56] **References Cited**

**U.S. PATENT DOCUMENTS**

4,827,389 5/1989 Crum ..... 362/431 X

**OTHER PUBLICATIONS**

Home Lighting and Accessories, p. 270, Fastoso Pty, Ltd.  
garden light, Jun. 1995.

*Primary Examiner*—Susan J. Lucas

*Attorney, Agent, or Firm*—Lyon & Lyon LLP

[57] **CLAIM**

The ornamental design for a garden lighting fixture, as shown and described.

**DESCRIPTION**

FIG. 1 is a side view of the fixture, the other side being a mirror image thereof;

FIG. 2 is a perspective view of a garden lighting fixture showing my new design as seen from the front and left side of the fixture;

FIG. 3 is an end view thereof as seen from both the right and left sides of FIG. 1;

FIG. 4 is a top view thereof; and

FIG. 5 is a bottom view thereof;

FIG. 6 is a side view of an alternate embodiment of the fixture, the other side being a mere image thereof;

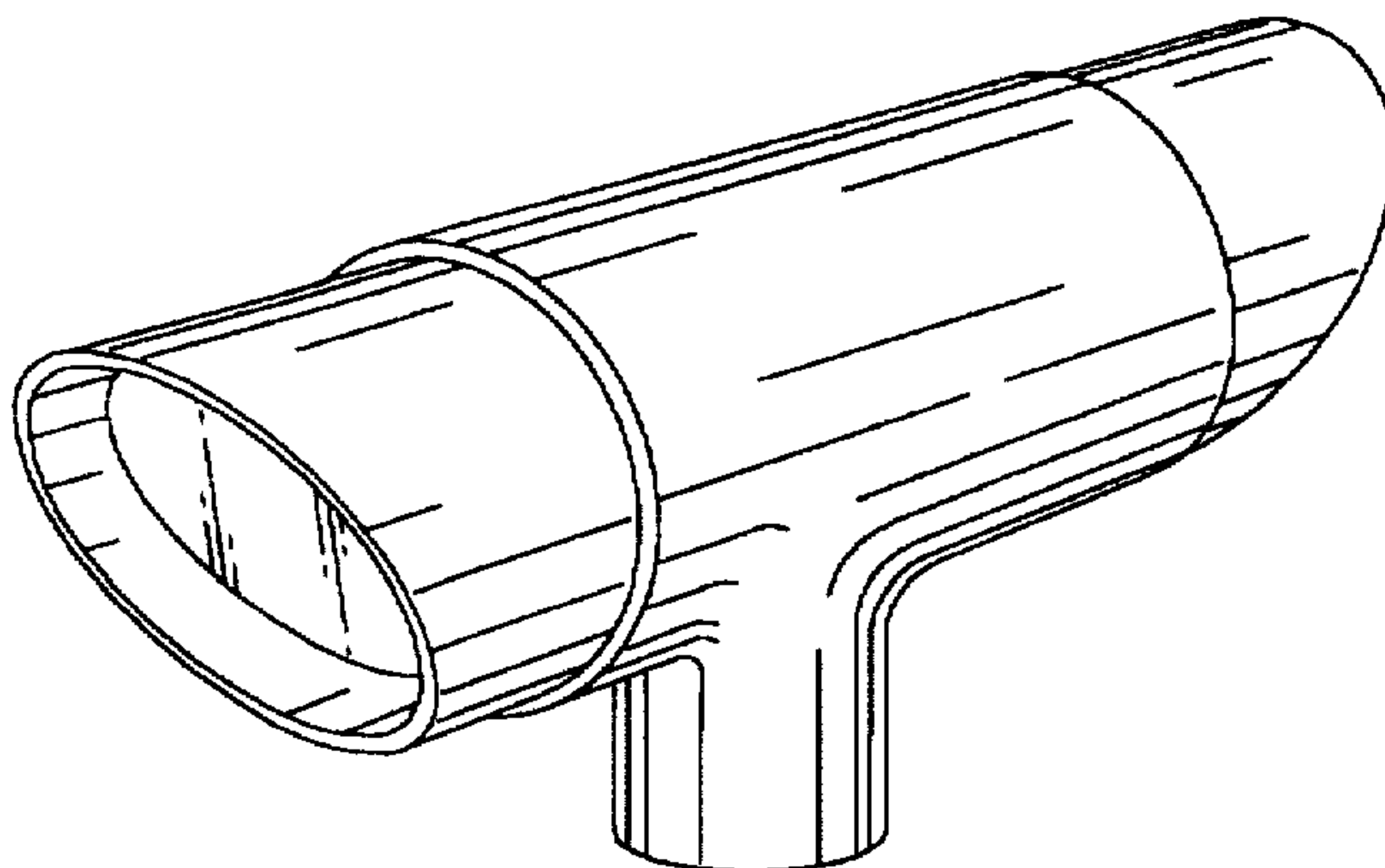
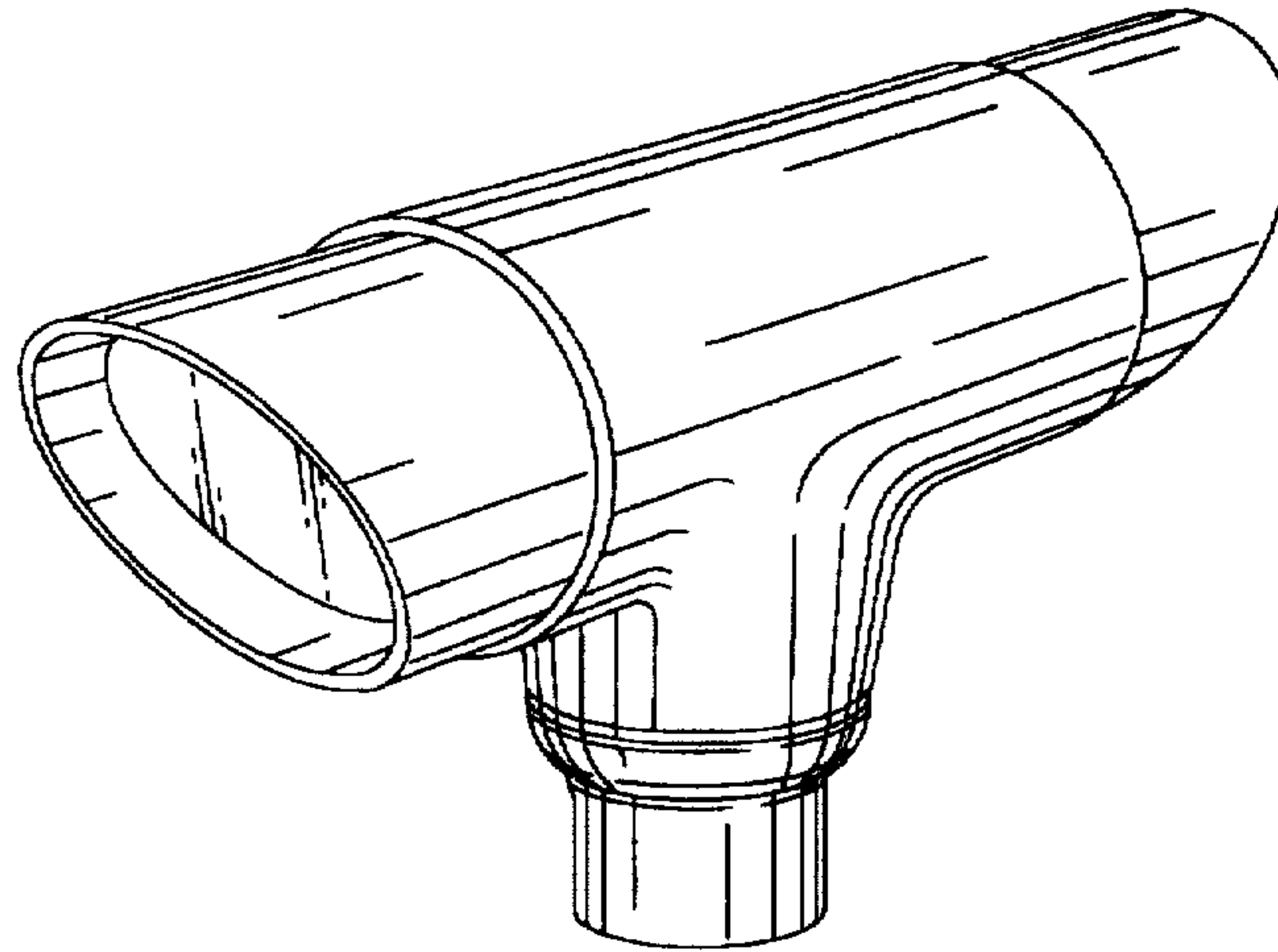
FIG. 7 is a perspective view of the alternate embodiment of a garden lighting fixture showing my new design as seen from the front and left side of the fixture;

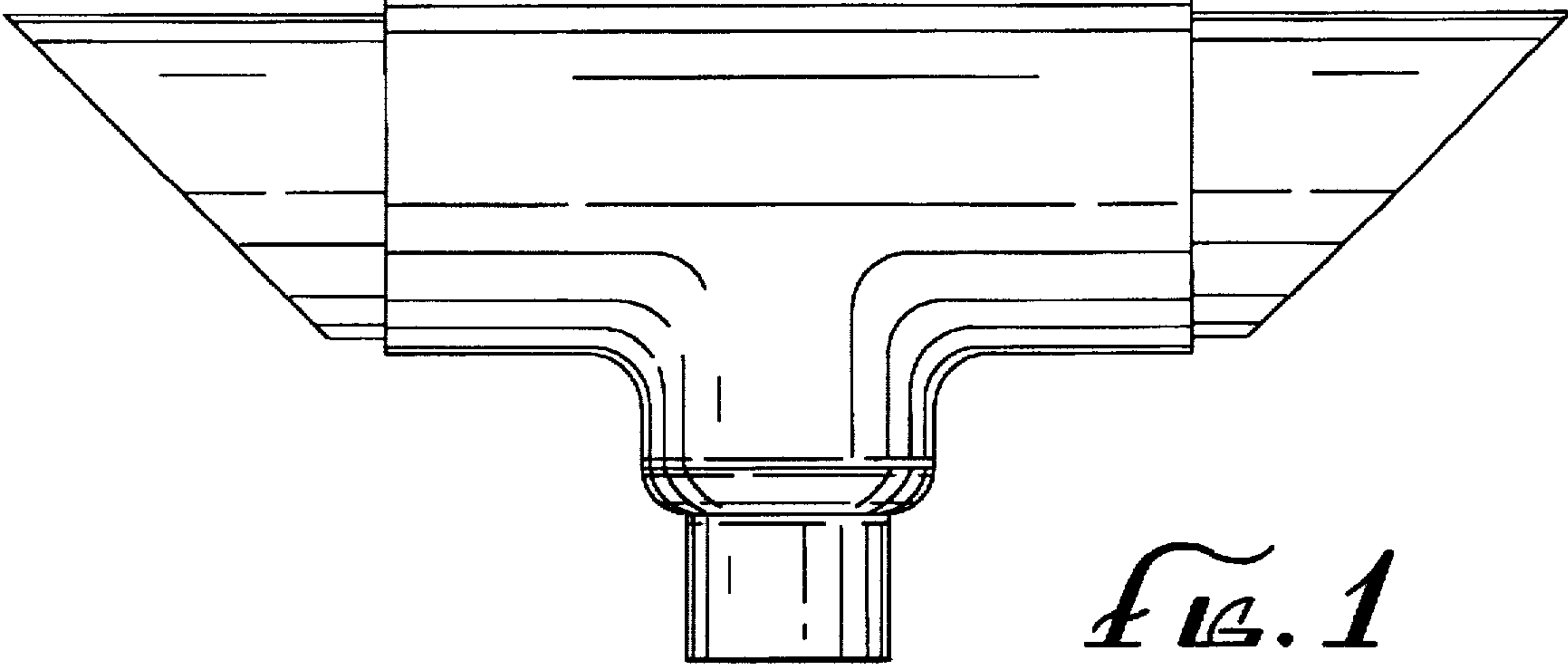
FIG. 8 is an end view of the alternate embodiment thereof as seen from both the right and left sides of FIG. 6;

FIG. 9 is a top view of the alternate embodiment thereof; and,

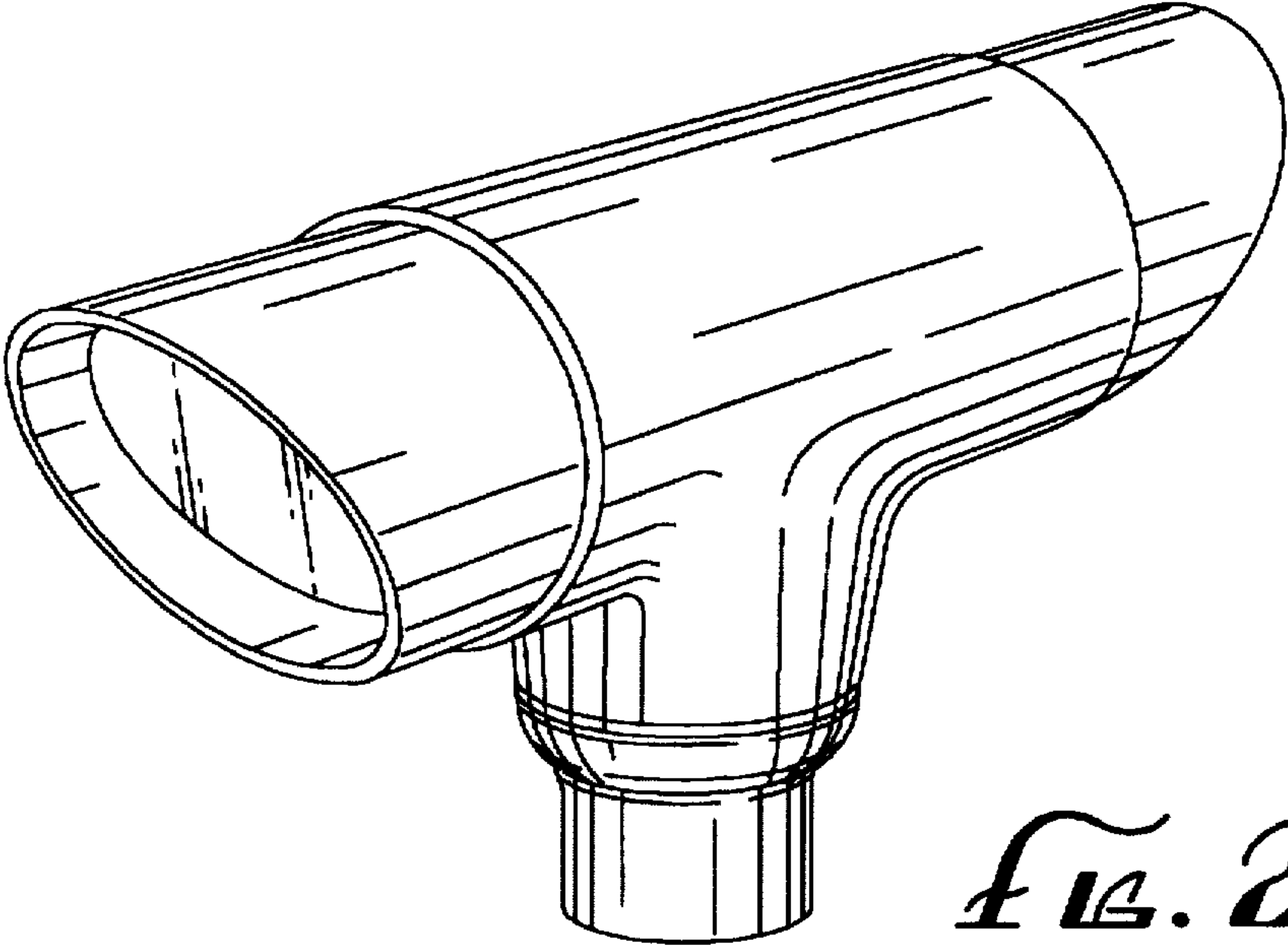
FIG. 10 is a bottom view of the alternate embodiment thereof.

**1 Claim, 4 Drawing Sheets**

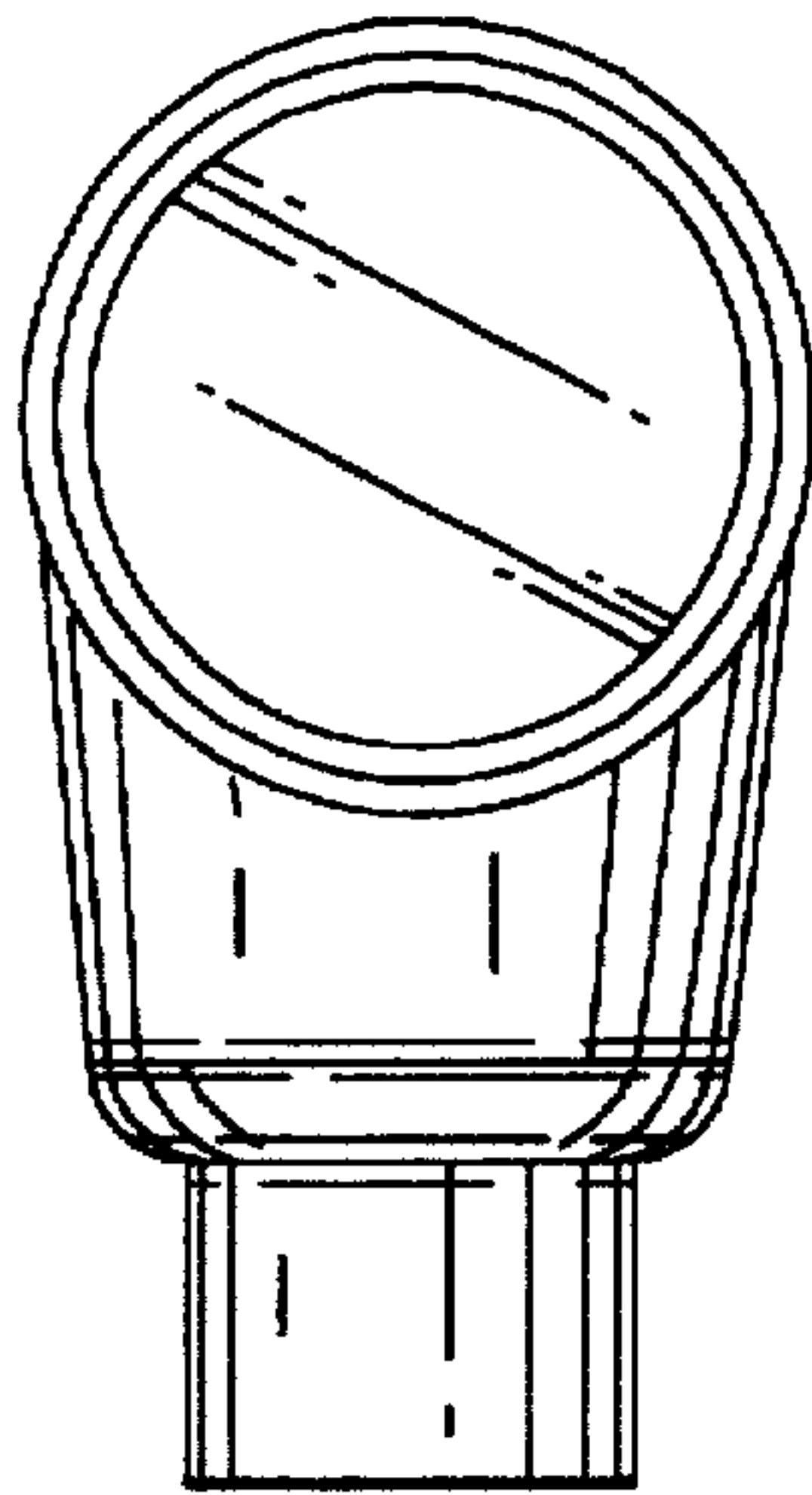




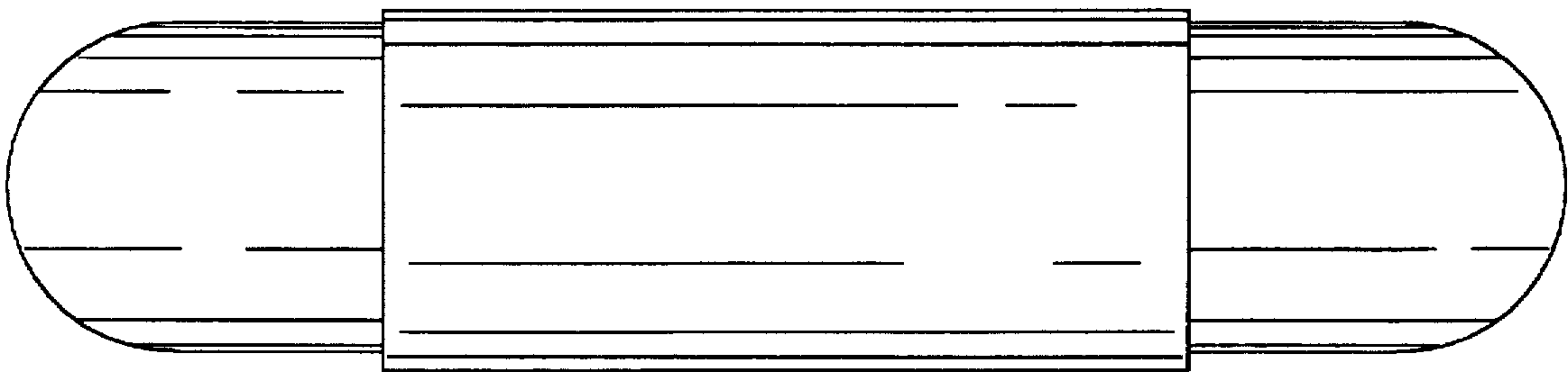
*FIG. 1*



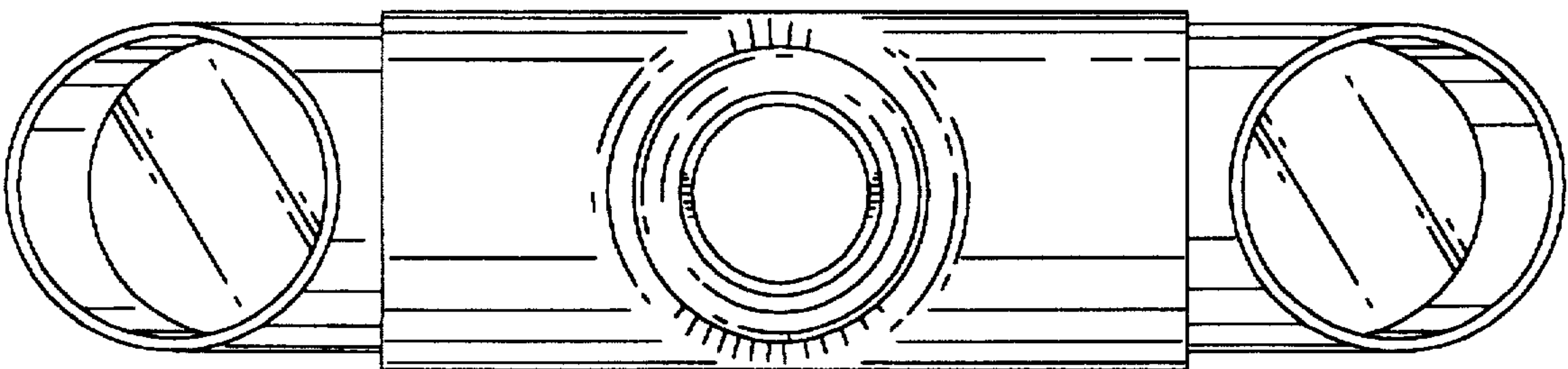
*FIG. 2*



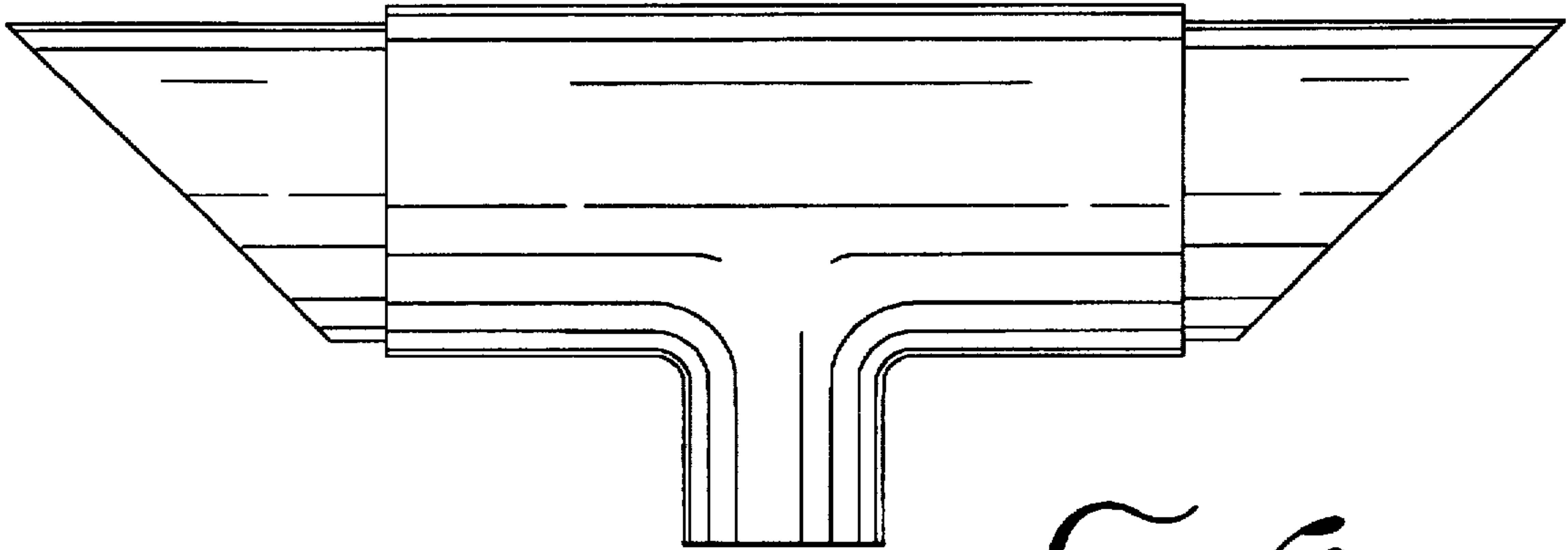
*FIG. 3*



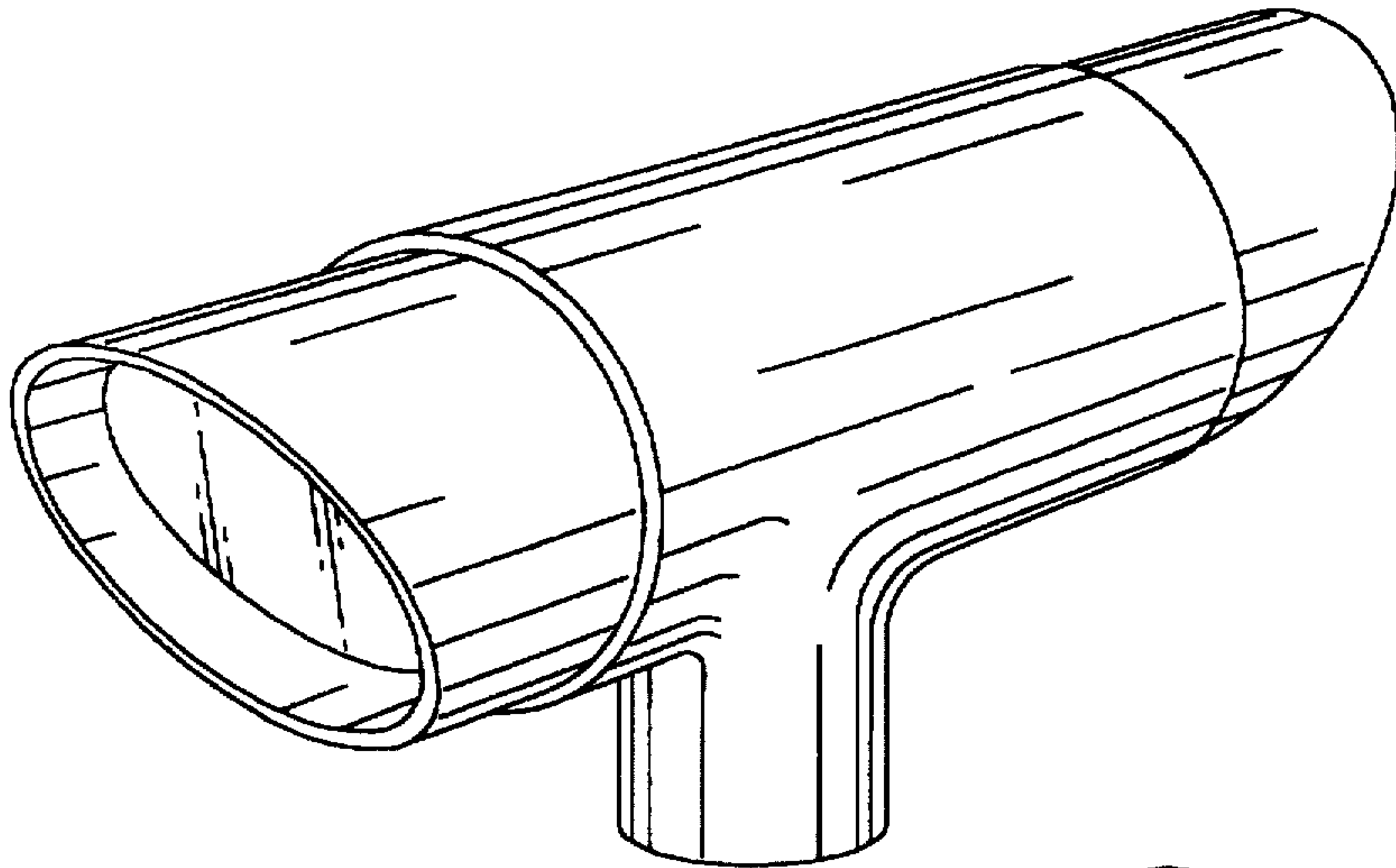
*FIG. 4*



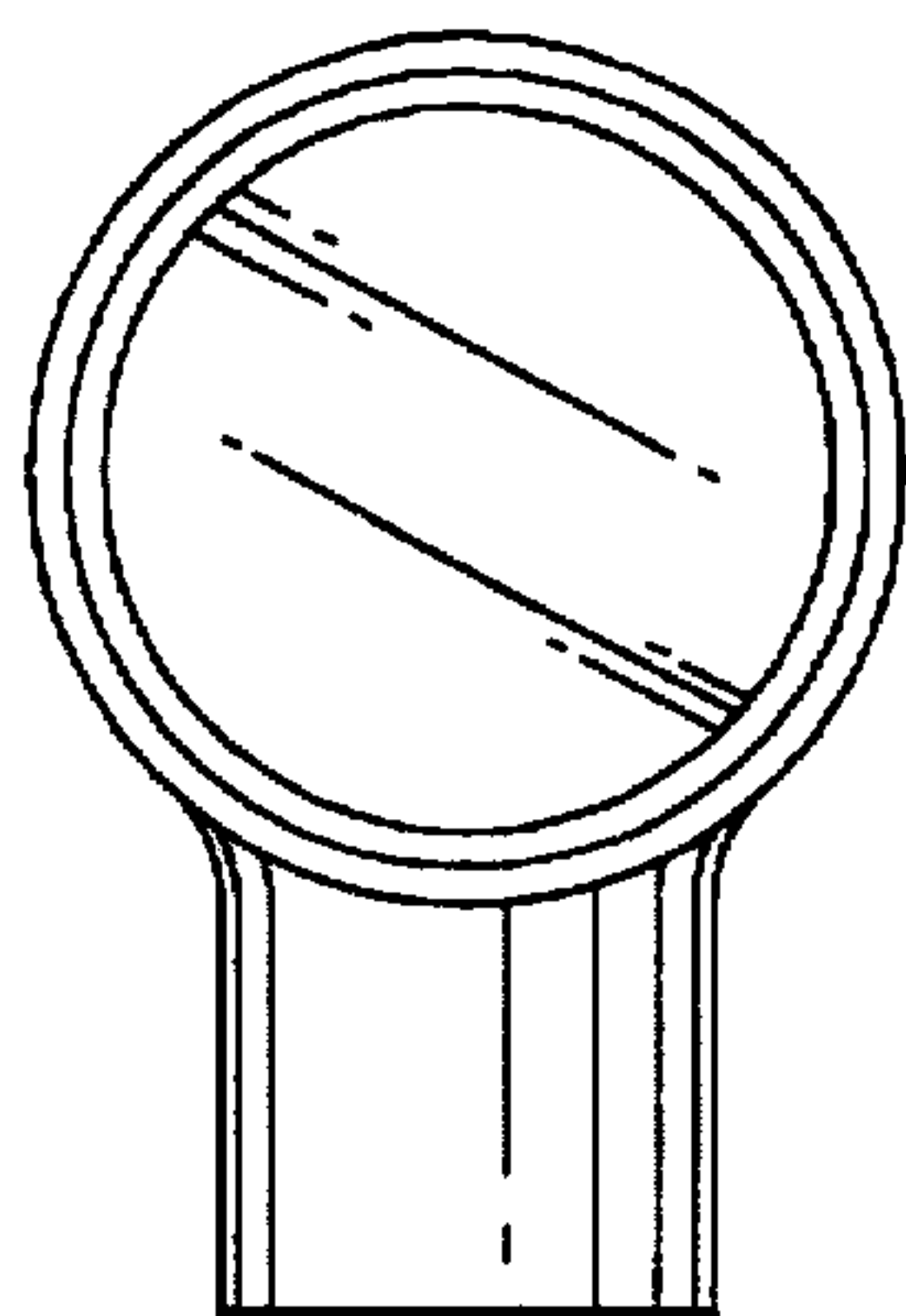
*FIG. 5*



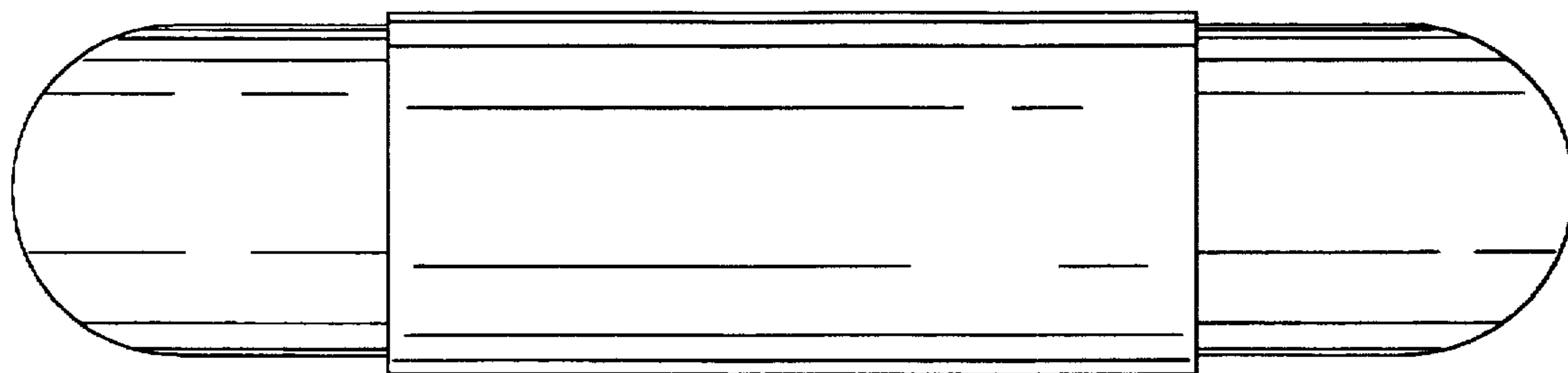
*FIG. 6*



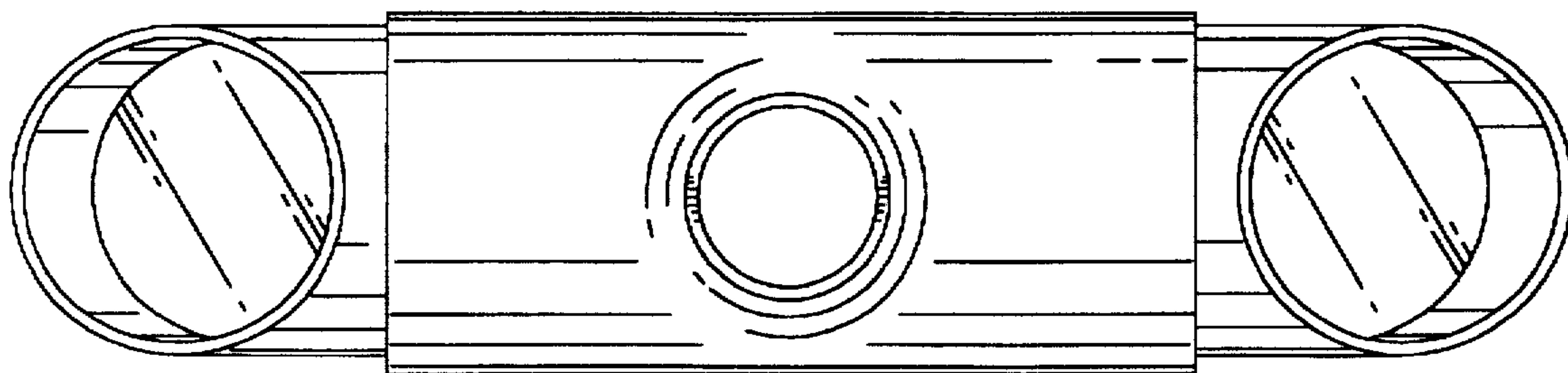
*FIG. 7*



*FIG. 8*



*FIG. 9*



*FIG. 10*