



US00D396120S

**United States Patent** [19]  
**Petruzzi**

[11] **Patent Number:** **Des. 396,120**  
[45] **Date of Patent:** **\*\*Jul. 14, 1998**

[54] **REPLICA CARD LIGHT**

[76] **Inventor:** **Thomas G. Petruzzi**, 5118 Belleville Ave., Orlando, Fla. 32812

[\*\*] **Term:** **14 Years**

[21] **Appl. No.:** **75,931**

[22] **Filed:** **Aug. 27, 1997**

**Related U.S. Application Data**

[62] **Division of Ser. No. 42,321, Aug. 7, 1995, Pat. No. Des. 383,228.**

[51] **LOC (6) Cl.** ..... **26-06**

[52] **U.S. Cl.** ..... **D26/37**

[58] **Field of Search** ..... **D26/37-50; 362/157, 362/158, 183-208**

[56] **References Cited**

**U.S. PATENT DOCUMENTS**

D. 51,972	4/1918	Pearson et al.	.....	D26/37
D. 154,532	7/1949	Clark	.....	D26/37
D. 170,139	8/1953	Ross	.....	D26/37
D. 273,049	3/1984	Zam et al.	.....	D26/38
D. 321,785	11/1991	Garrity	.....	D26/37
D. 360,837	8/1995	Chui	.....	D26/38
D. 383,228	9/1997	Petruzzi	.....	D26/37

*Primary Examiner*—Marcus A. Jackson

[57] **CLAIM**

The ornamental design for a replica card light, as shown and described.

**DESCRIPTION**

FIG. 1 is a top left perspective view of a card light, showing my new design;

FIG. 2 is a top plan view thereof;

FIG. 3 is a bottom plan view thereof;

FIG. 4 is a front elevation view thereof;

FIG. 5 is a rear elevation view thereof;

FIG. 6 is a left side elevation view thereof, the right side elevational view being a mirror image;

FIG. 7 is a top left perspective view of a second embodiment of FIG. 1;

FIG. 8 is a top plan view thereof;

FIG. 9 is a bottom plan view thereof;

FIG. 10 is a front elevation view thereof;

FIG. 11 is a rear elevation view thereof;

FIG. 12 is a left side elevation view thereof, the right side elevation view being a mirror image;

FIG. 13 is a top left perspective view of a third embodiment of FIG. 1;

FIG. 14 is a top plan view thereof;

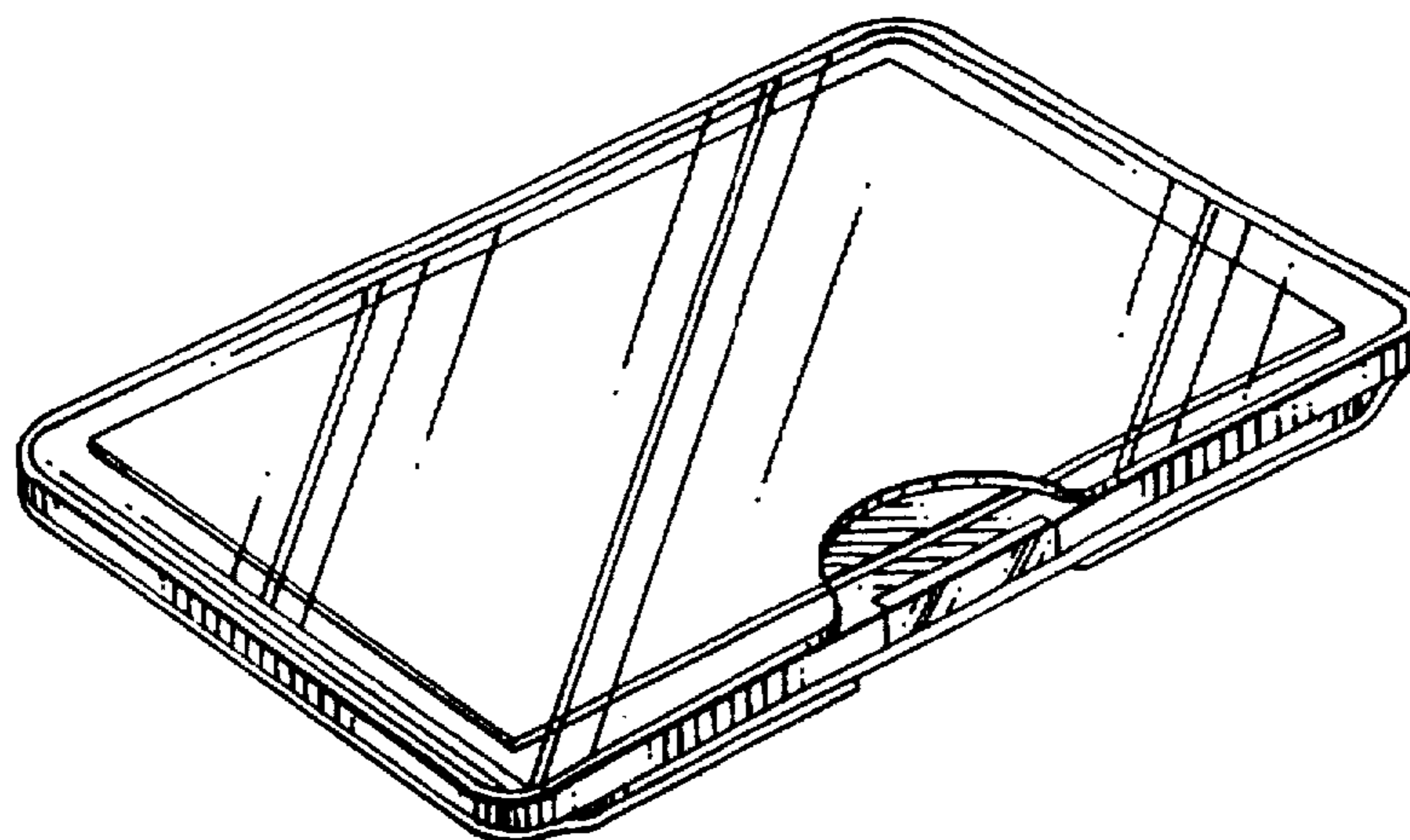
FIG. 15 is a bottom plan view thereof;

FIG. 16 is a left side elevation view thereof, the right side elevation view being a mirror image;

FIG. 17 is a front elevation view thereof; and,

FIG. 18 is a rear elevation view thereof.

**1 Claim, 3 Drawing Sheets**



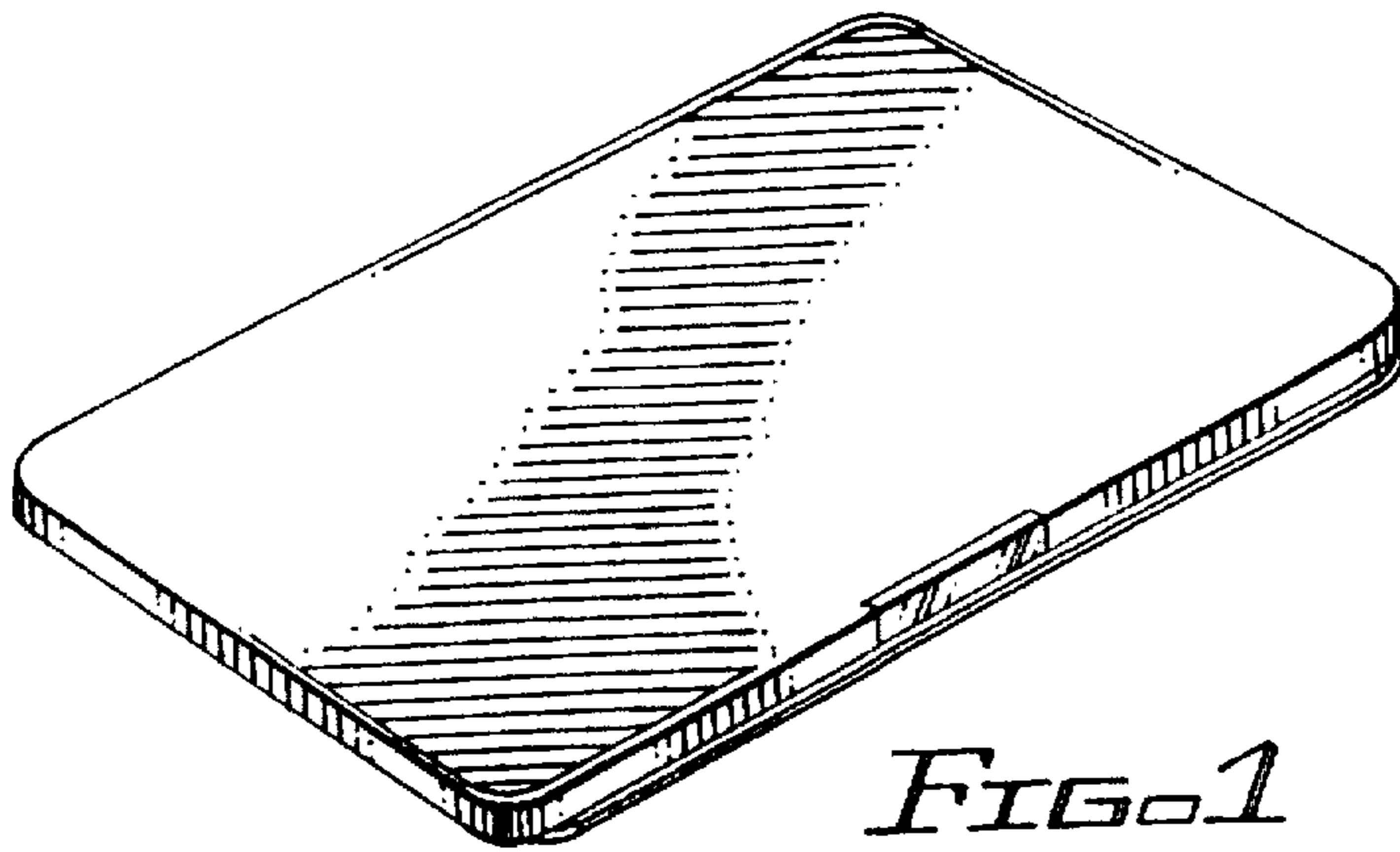


FIG. 1



FIG. 6

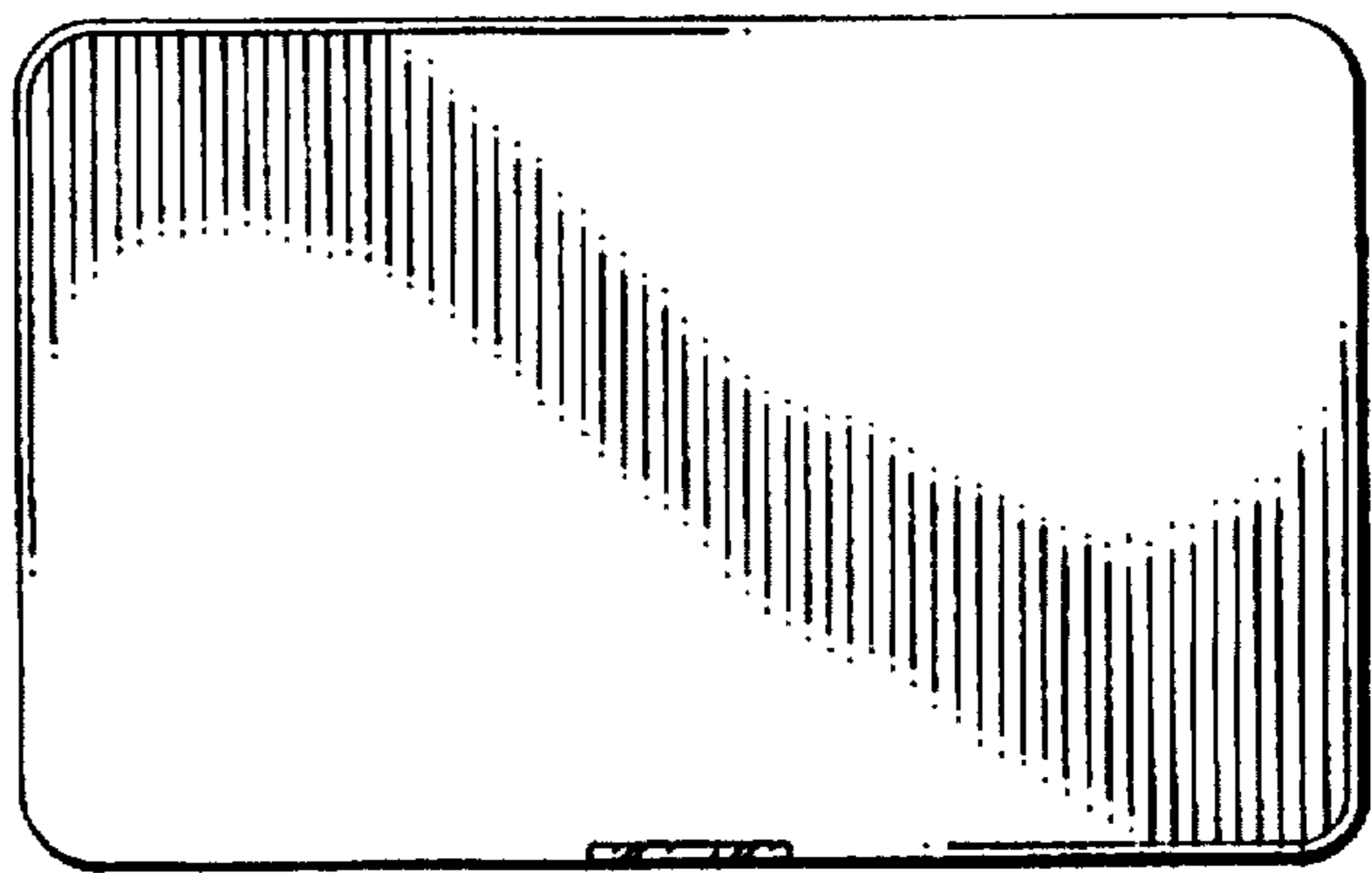


FIG. 2

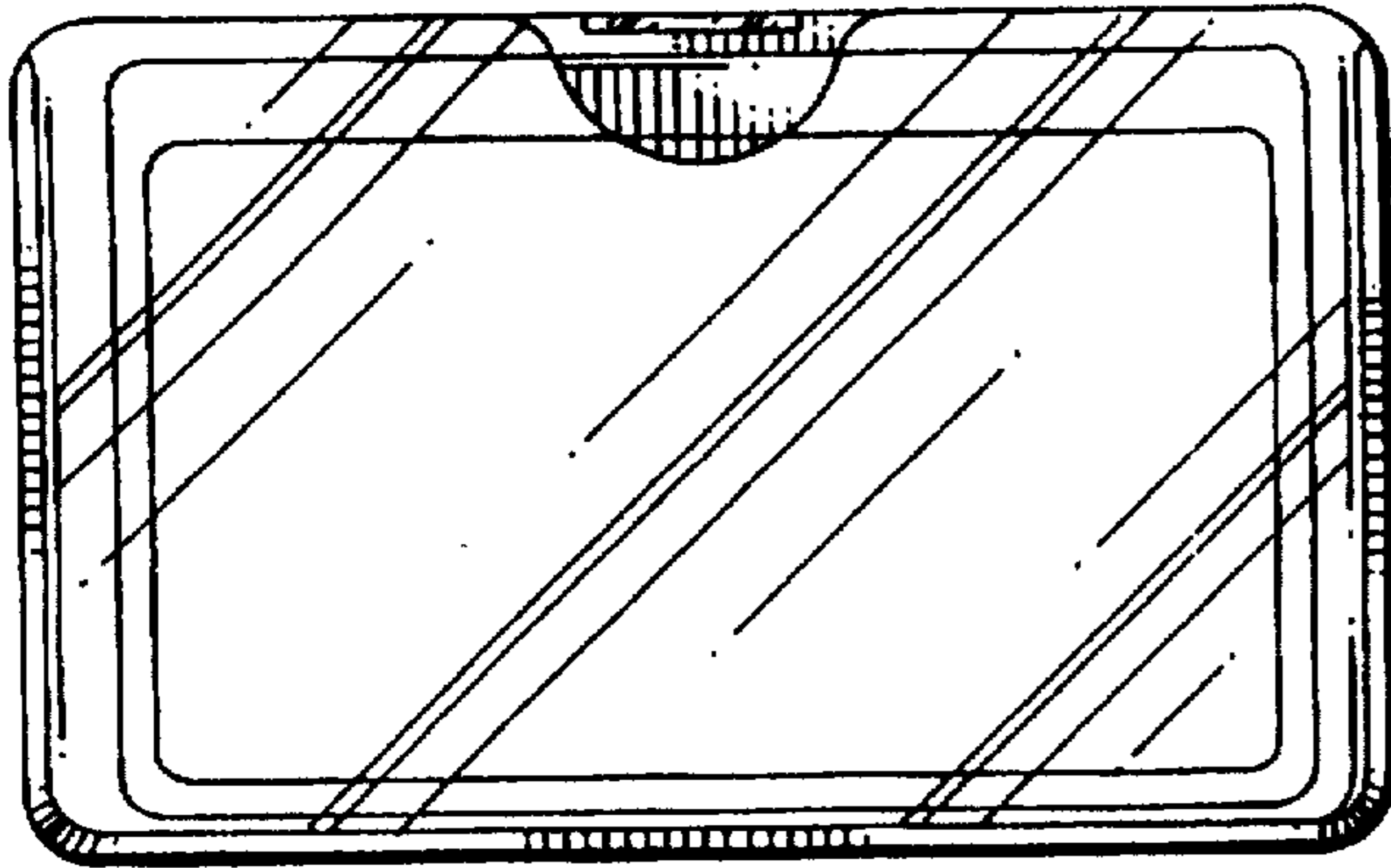


FIG. 3



FIG. 4



FIG. 5

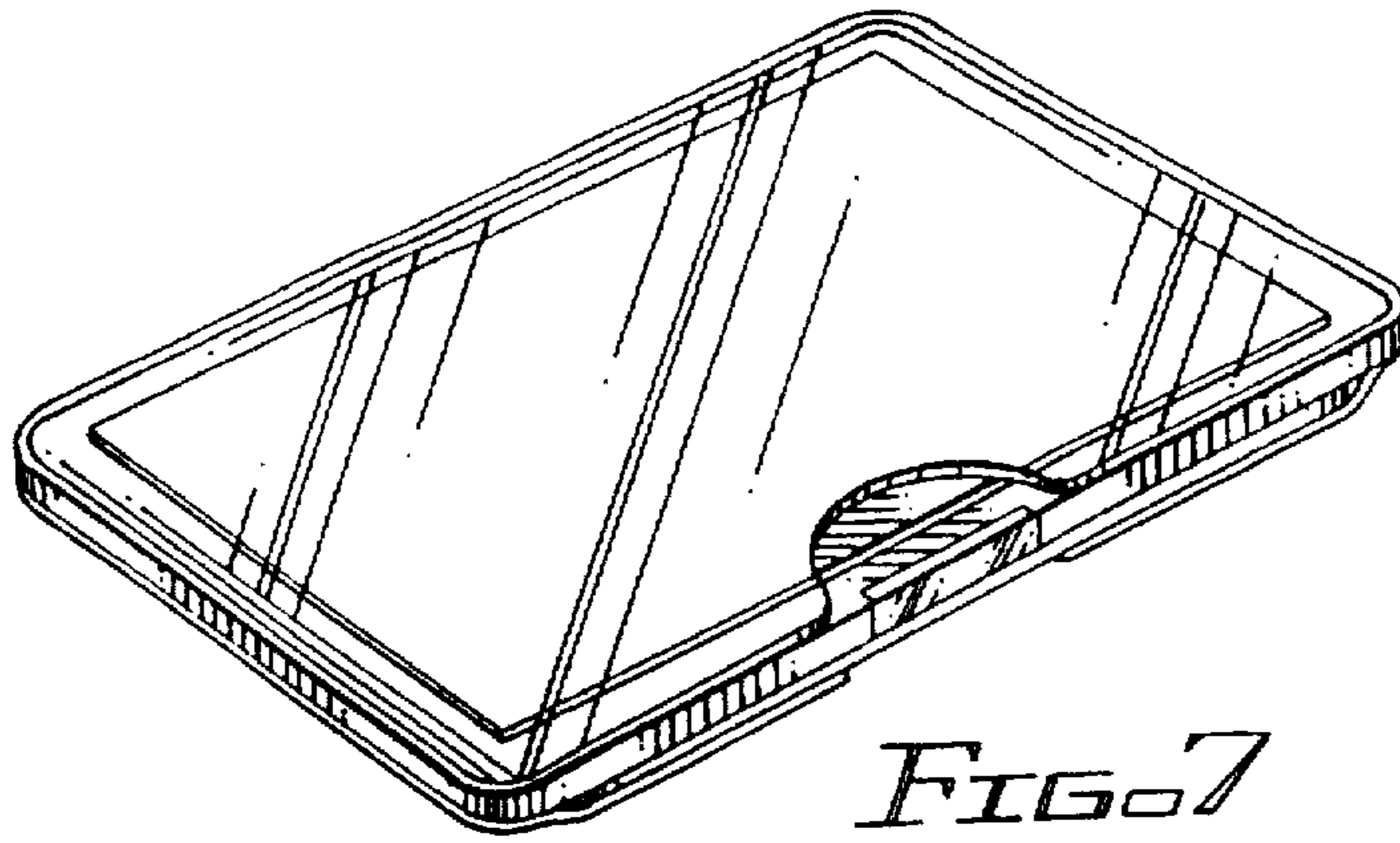


FIG. 7



FIG. 12

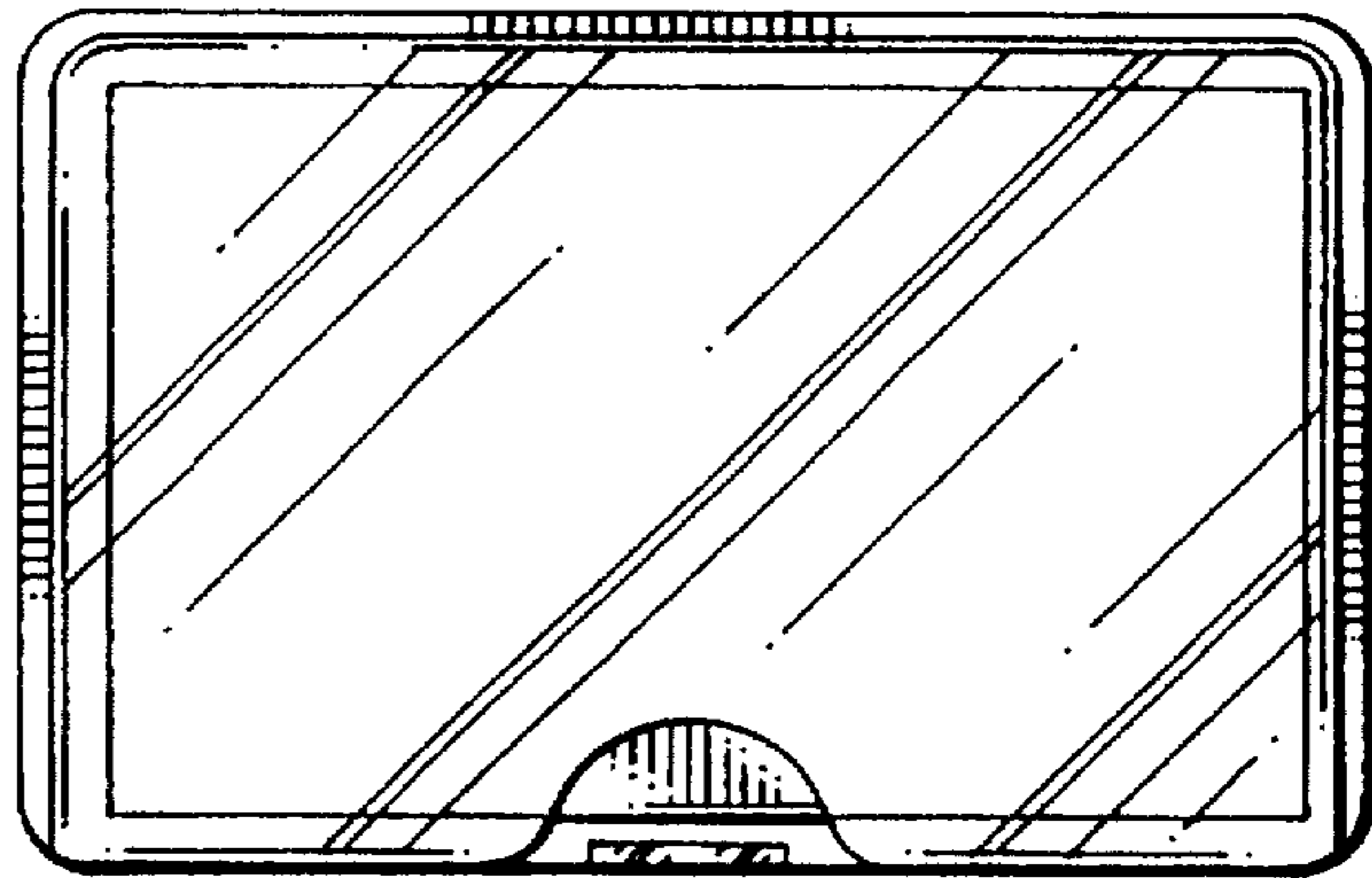


FIG. 8

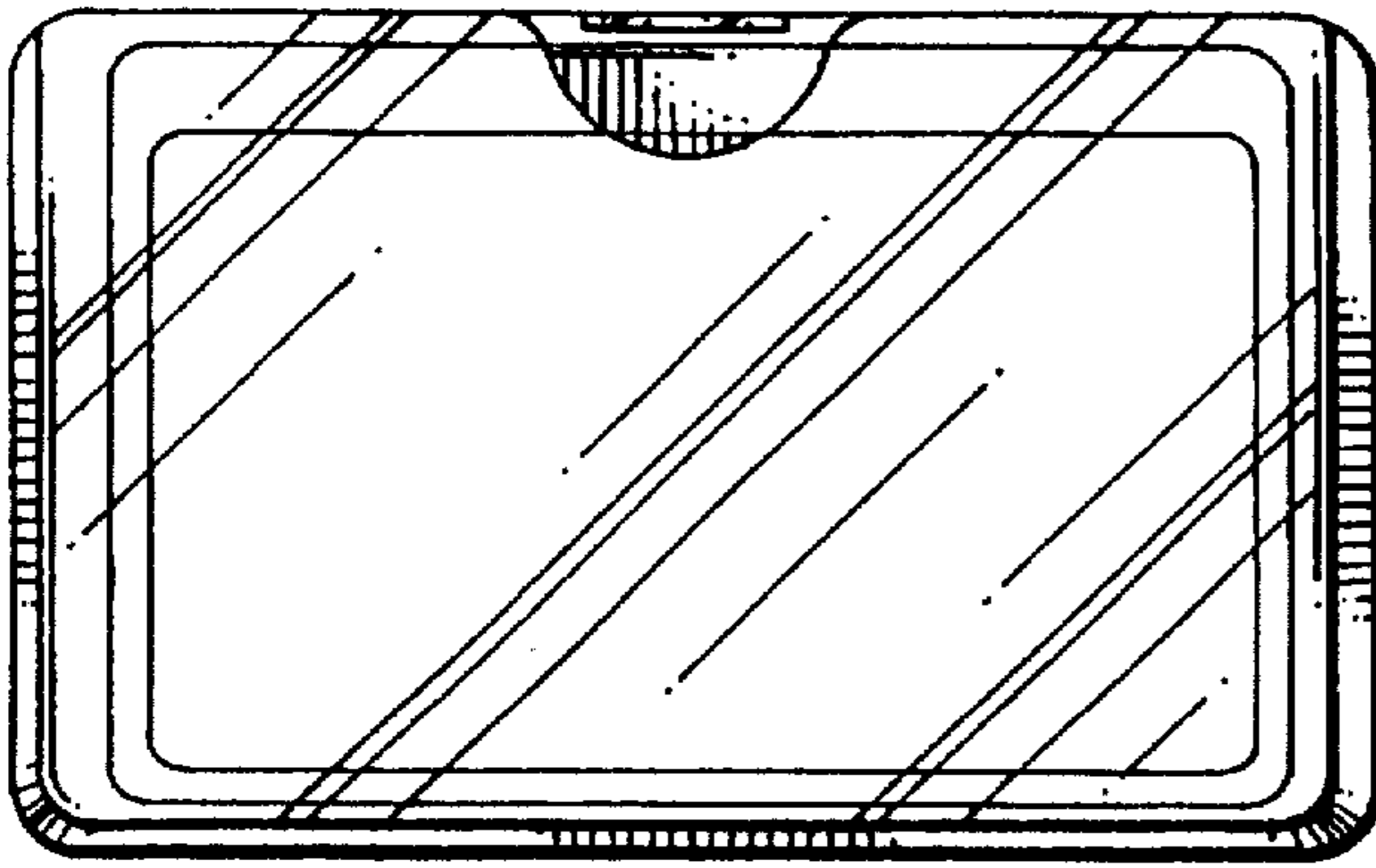


FIG. 9

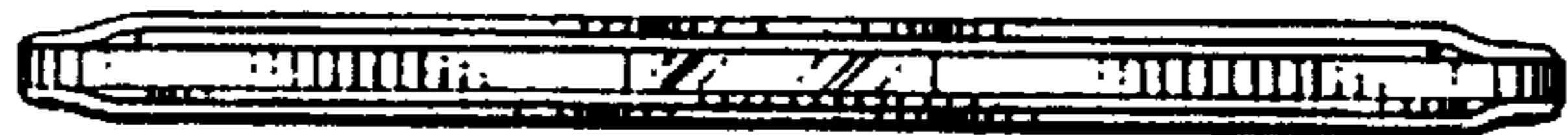


FIG. 10



FIG. 11

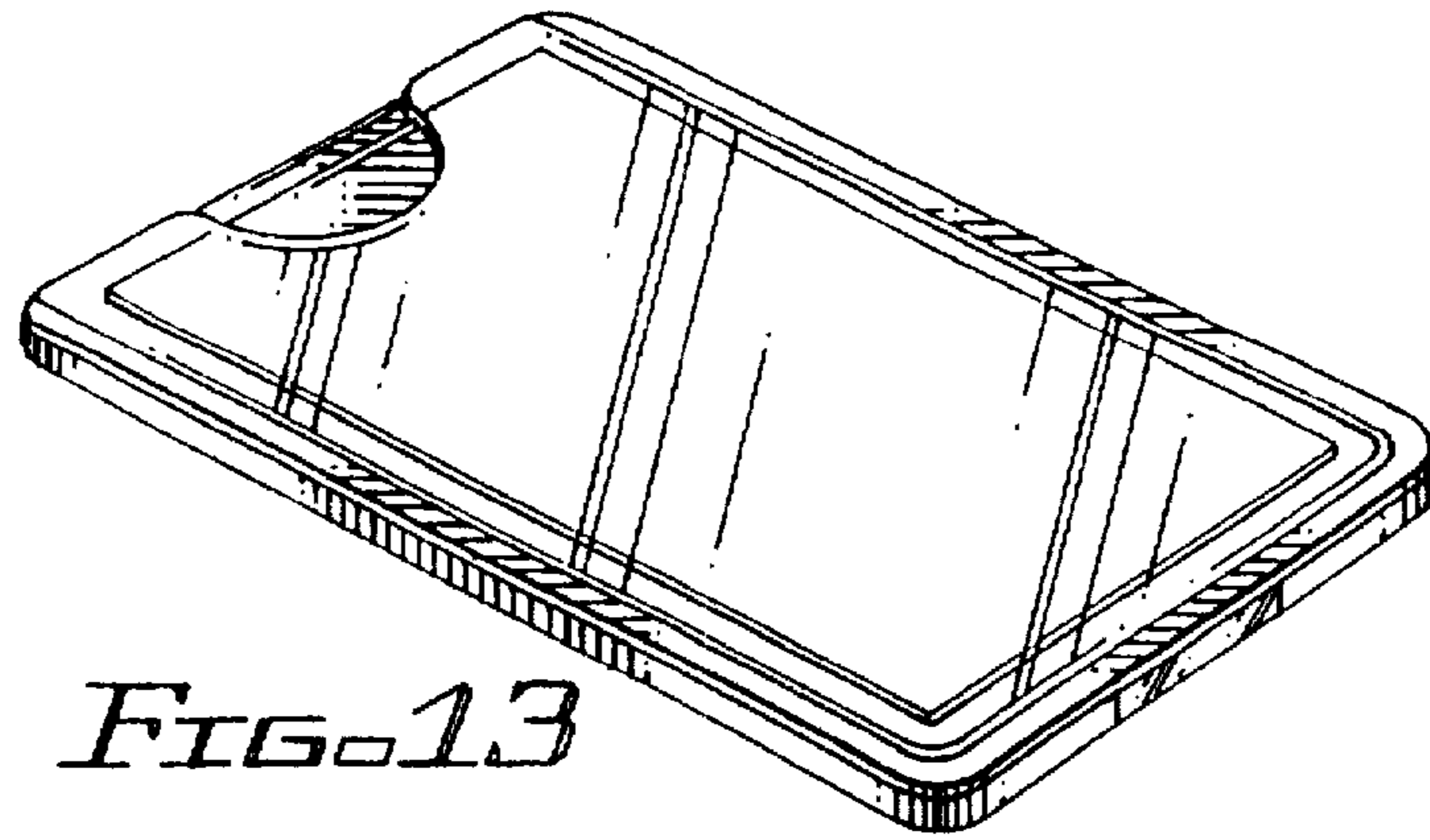


FIG. 13



FIG. 18

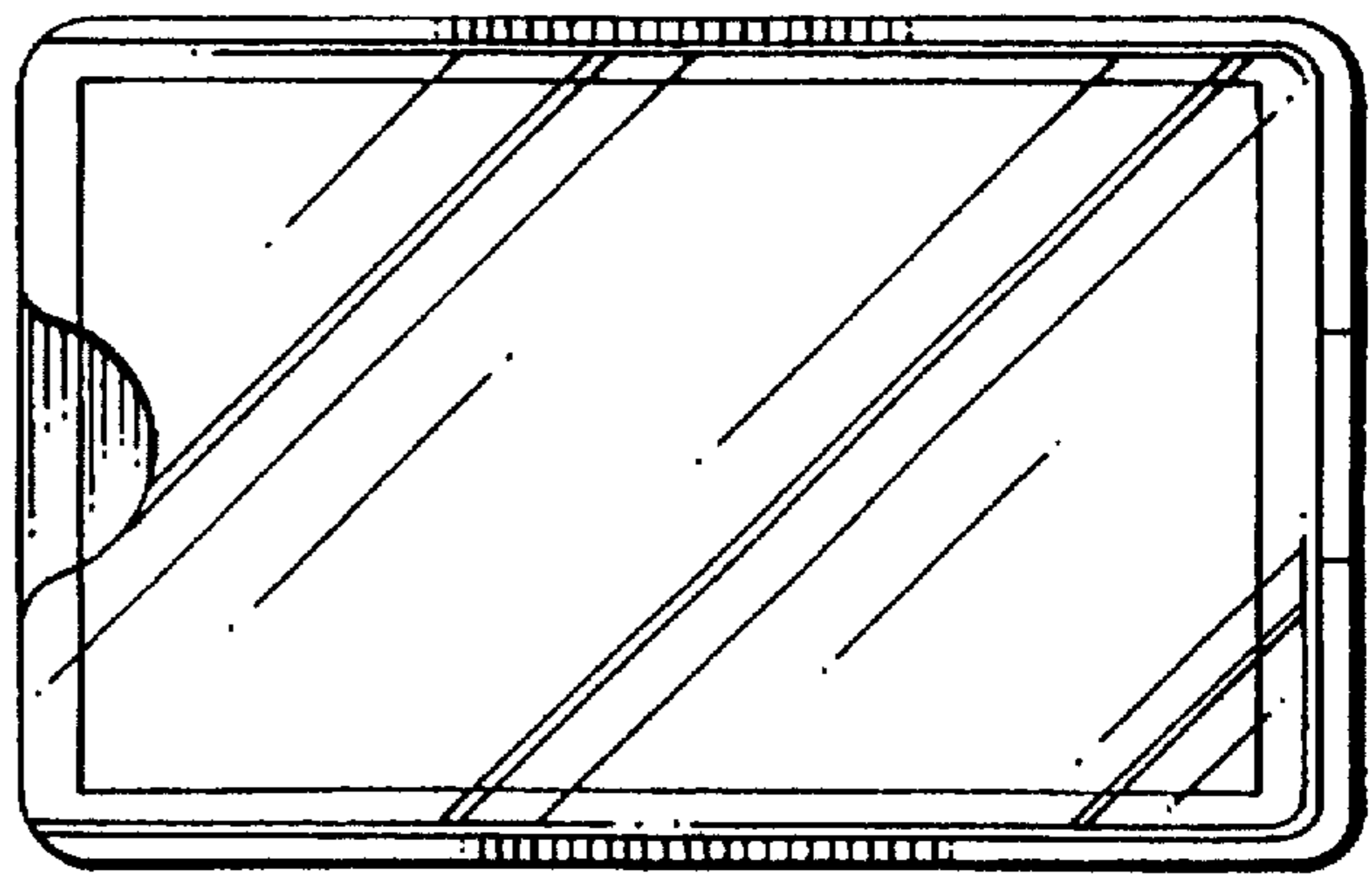


FIG. 14

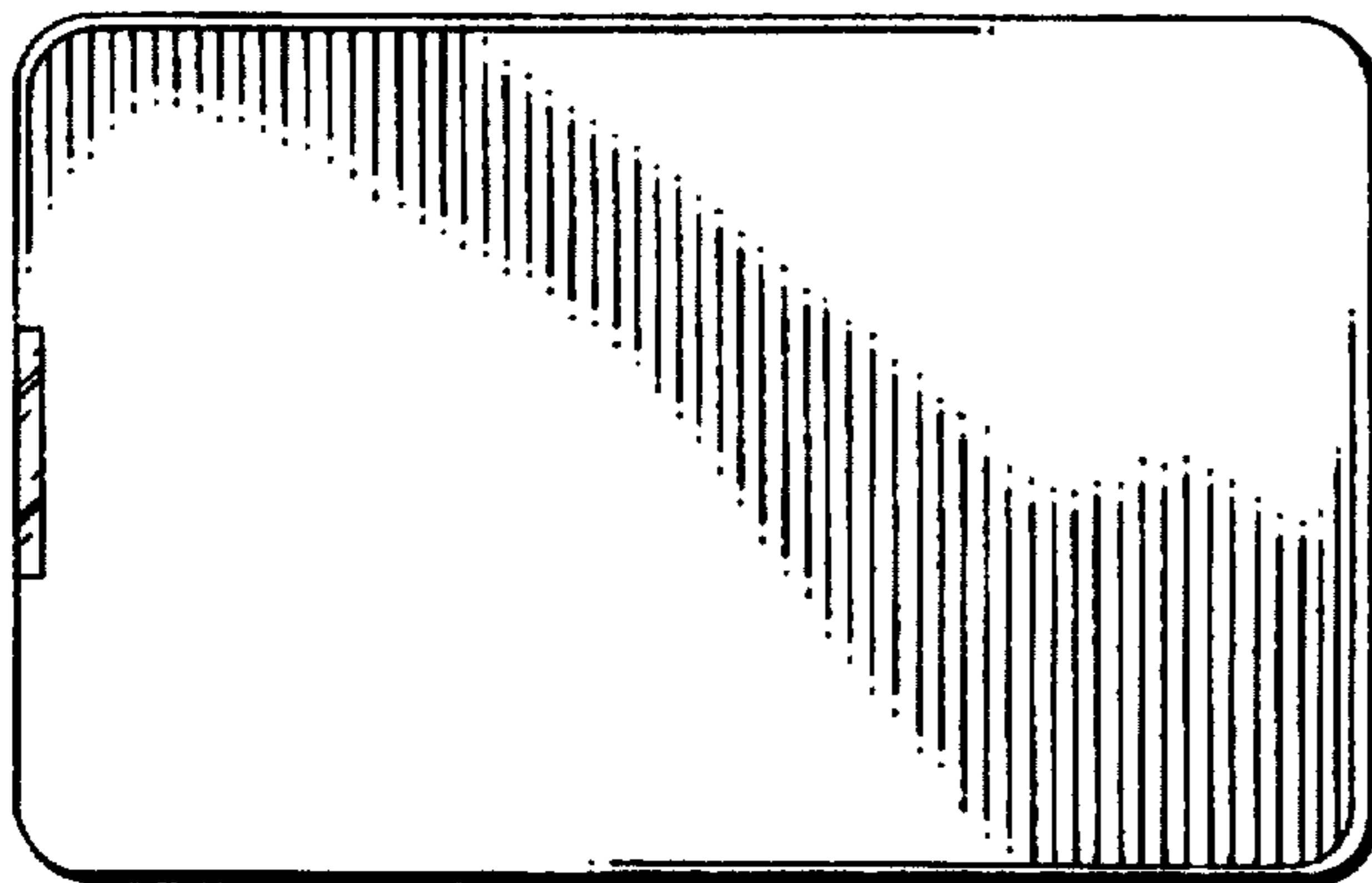


FIG. 15



FIG. 16



FIG. 17