



US00D396118S

United States Patent [19]

Saarenko

[11] Patent Number: Des. 396,118

[45] Date of Patent: **Jul. 14, 1998

[54] **TILE ROOFING SHEET**

[75] Inventor: **Pekka Saarenko**, Siiviläkuja, Finland

[73] Assignee: **Samesor SMT International Oy**,
Kuopio, Finland

[**] Term: **14 Years**

[21] Appl. No.: **71,737**

[22] Filed: **Jun. 2, 1997**

[30] **Foreign Application Priority Data**

Dec. 2, 1996 [FI] Finland 809/96

[51] LOC (6) Cl. **25-01**

[52] U.S. Cl. **D25/140**

[58] Field of Search D25/140, 141,
D25/143, 144, 125; 52/535, 554, 537, 518

[56] **References Cited**

U.S. PATENT DOCUMENTS

D. 273,233 3/1984 Norgate D25/140

D. 285,829 9/1986 Lock D25/140

Primary Examiner—Doris Clark

Attorney, Agent, or Firm—Klauber & Jackson

[57] **CLAIM**

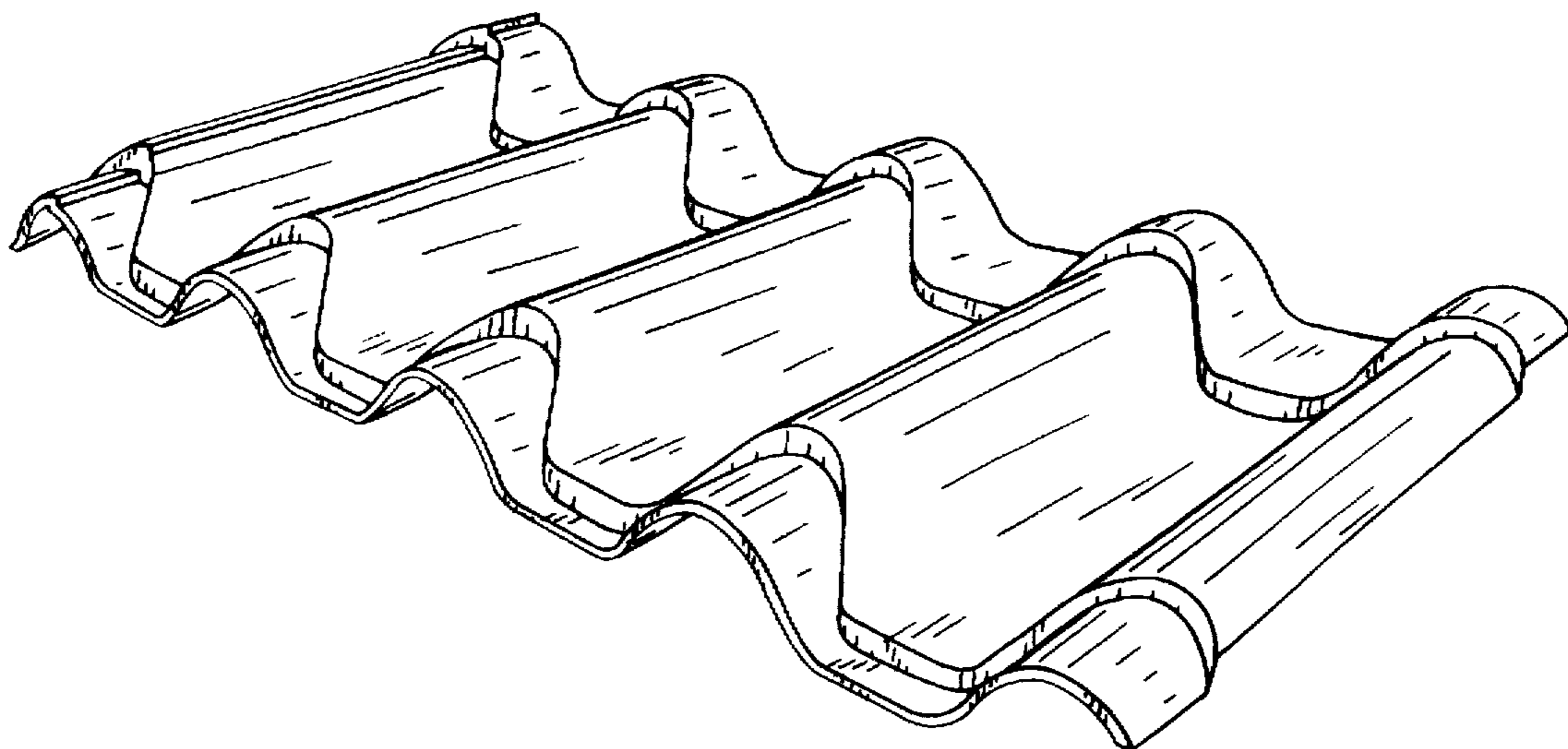
The ornamental design for tile roofing sheet, as shown and described.

DESCRIPTION

The FIGURE is a front perspective view of the tile-profiled roofing sheet of my new design.

The bottom of the tile roofing sheet is substantially the same as the top.

1 Claim, 1 Drawing Sheet



Figure

