



US00D396116S

United States Patent [19]
Tyra

[11] **Patent Number:** **Des. 396,116**
[45] **Date of Patent:** ****Jul. 14, 1998**

[54] **WINDOW COMPONENT EXTRUSION**

D. 373,430 9/1996 Colitto D25/124

[75] **Inventor:** **Kevin P. Tyra, Puyallup, Wash.**

OTHER PUBLICATIONS

[73] **Assignee:** **Mikron Industries, Inc., Kent, Wash.**

Window Component Extrusion 6495, Doug Cole Published Dec. 27, 1994.

[**] **Term:** **14 Years**

Primary Examiner—Doris Clark
Attorney, Agent, or Firm—Richardson & Folise

[21] **Appl. No.:** **69,251**

[57] **CLAIM**

[22] **Filed:** **Mar. 20, 1997**

The ornamental design for a window component extrusion, as shown and described.

[51] **LOC (6) Cl.** **25-01**

[52] **U.S. Cl.** **D25/124**

[58] **Field of Search** D25/124, 60, 52,
D25/125; 49/DIG. 2, 504, 505; 52/204.1,
204.5, 585

DESCRIPTION

FIG. 1 is a top right perspective view of the window component extrusion which is broken in the center indicating indefinite length; and,

FIG. 2 is a bottom left perspective view of the window component extrusion shown in FIG. 1.

[56] **References Cited**

U.S. PATENT DOCUMENTS

D. 313,860 1/1991 Slocomb, Jr. D25/124

1 Claim, 1 Drawing Sheet

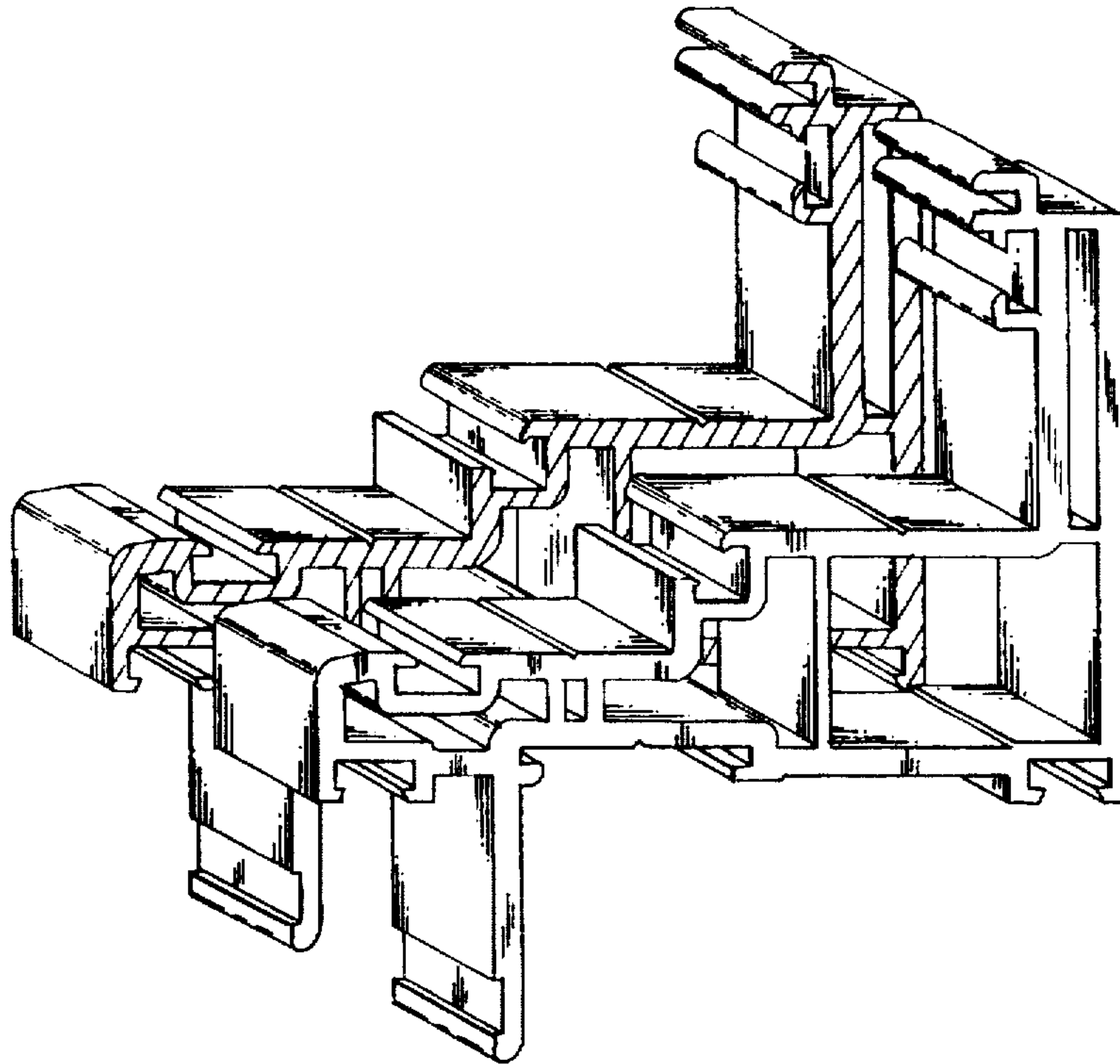


FIG. 1

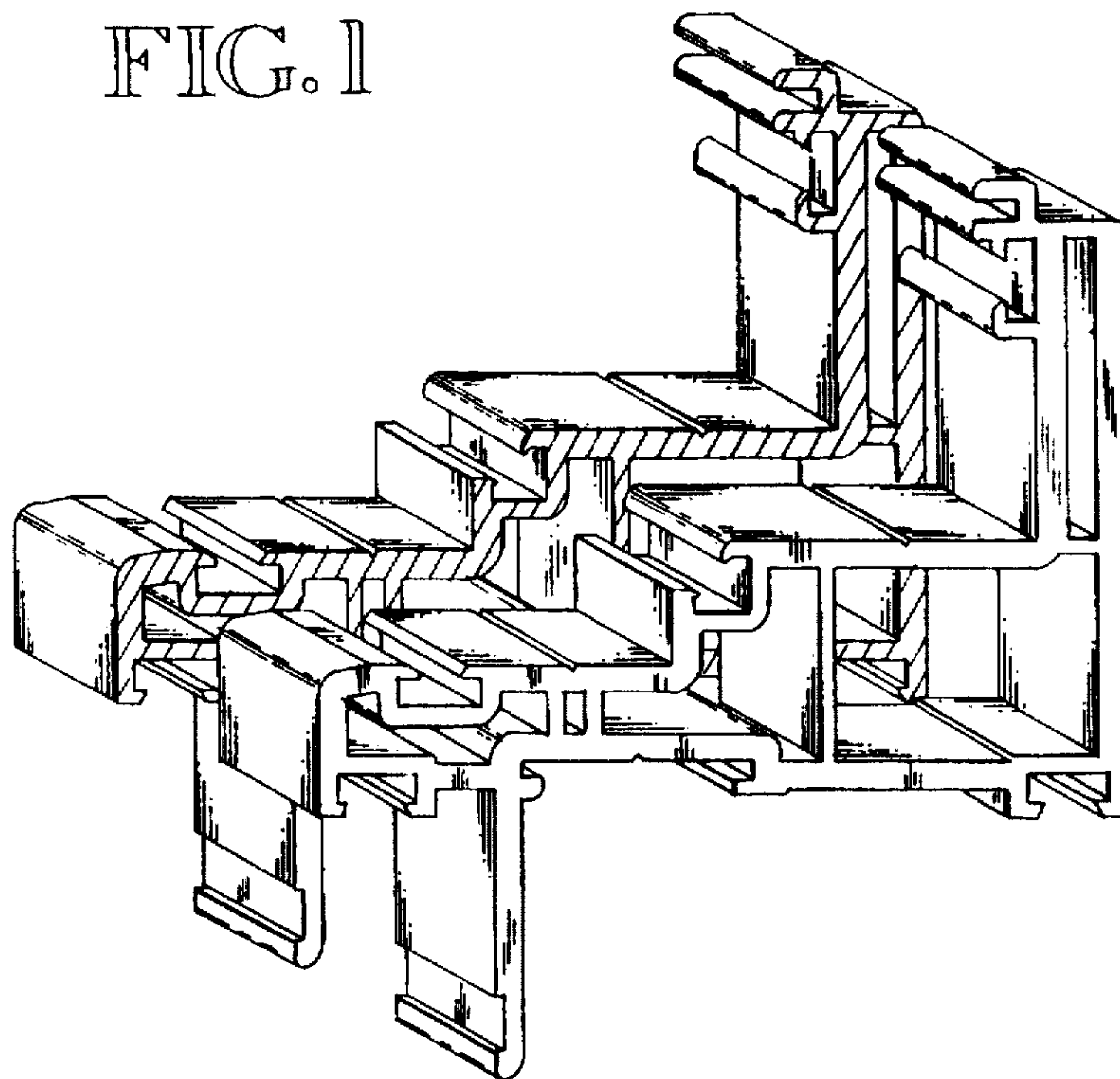


FIG. 2

