



US00D396113S

**United States Patent** [19]  
**Horton**

[11] **Patent Number:** **Des. 396,113**  
[45] **Date of Patent:** **\*\*Jul. 14, 1998**

[54] **KIOSK**  
[75] **Inventor:** **Tony L. Horton, Dallas, Tex.**  
[73] **Assignee:** **T L Horton Design, Inc., Dallas, Tex.**  
[\*\*] **Term:** **14 Years**  
[21] **Appl. No.:** **77,550**  
[22] **Filed:** **Oct. 3, 1997**  
[51] **LOC (6) Cl.** ..... **25-03**  
[52] **U.S. Cl.** ..... **D25/16**  
[58] **Field of Search** ..... **D25/16, 1, 22-26;**  
**D6/432-448, 396, 397, 474, 481, 472-479,**  
**473, 476; D34/19-21; 52/34, 36.1, 79.1,**  
**74, 79.5; 312/194-196; 108/92-96**

D. 288,609 3/1987 Watkins ..... D25/1  
D. 313,077 12/1990 Minarro ..... D25/16  
D. 341,458 11/1993 Carroll ..... D34/20  
D. 346,867 5/1994 Montilla ..... D25/16  
D. 350,829 9/1994 Horton ..... D25/16  
D. 354,816 1/1995 Horton ..... D25/16  
D. 367,777 3/1996 Arnone ..... D6/436  
D. 379,664 6/1997 Horton ..... D25/16  
D. 379,665 6/1997 Horton ..... D25/16  
D. 379,666 6/1997 Horton ..... D25/16  
D. 379,667 6/1997 Horton ..... D25/16  
589,971 9/1897 Kephart ..... D25/16 X  
2,836,860 6/1958 Staropoli ..... 20/1.6  
3,715,815 2/1973 Lewis ..... 312/196 X  
5,048,857 9/1991 Stevens ..... 108/111 X  
5,375,899 12/1994 Wright ..... 52/79.5

*Primary Examiner*—Doris Clark  
*Attorney, Agent, or Firm*—Locke Purnell Rain Harrell

[56] **References Cited**

**U.S. PATENT DOCUMENTS**

D. 54,883 4/1920 Willett ..... D6/476 X  
D. 85,555 11/1931 Stebbings ..... D25/7  
D. 148,842 3/1948 Cushman ..... D6/437  
D. 149,381 4/1948 Schick ..... D6/437  
D. 152,219 12/1948 Schick ..... D6/437  
D. 152,371 1/1949 Schick ..... D6/437  
D. 200,225 2/1965 Benjamin ..... D25/16 X  
D. 219,579 12/1970 Wormser ..... D13/1  
D. 254,327 2/1980 Tasse ..... D25/26  
D. 256,530 8/1980 Johnson ..... 25/1  
D. 265,617 8/1982 Sauroge, III et al. .... D6/481  
D. 279,408 6/1985 Davenport et al. .... D25/25  
D. 288,040 2/1987 LeBlance ..... D6/473

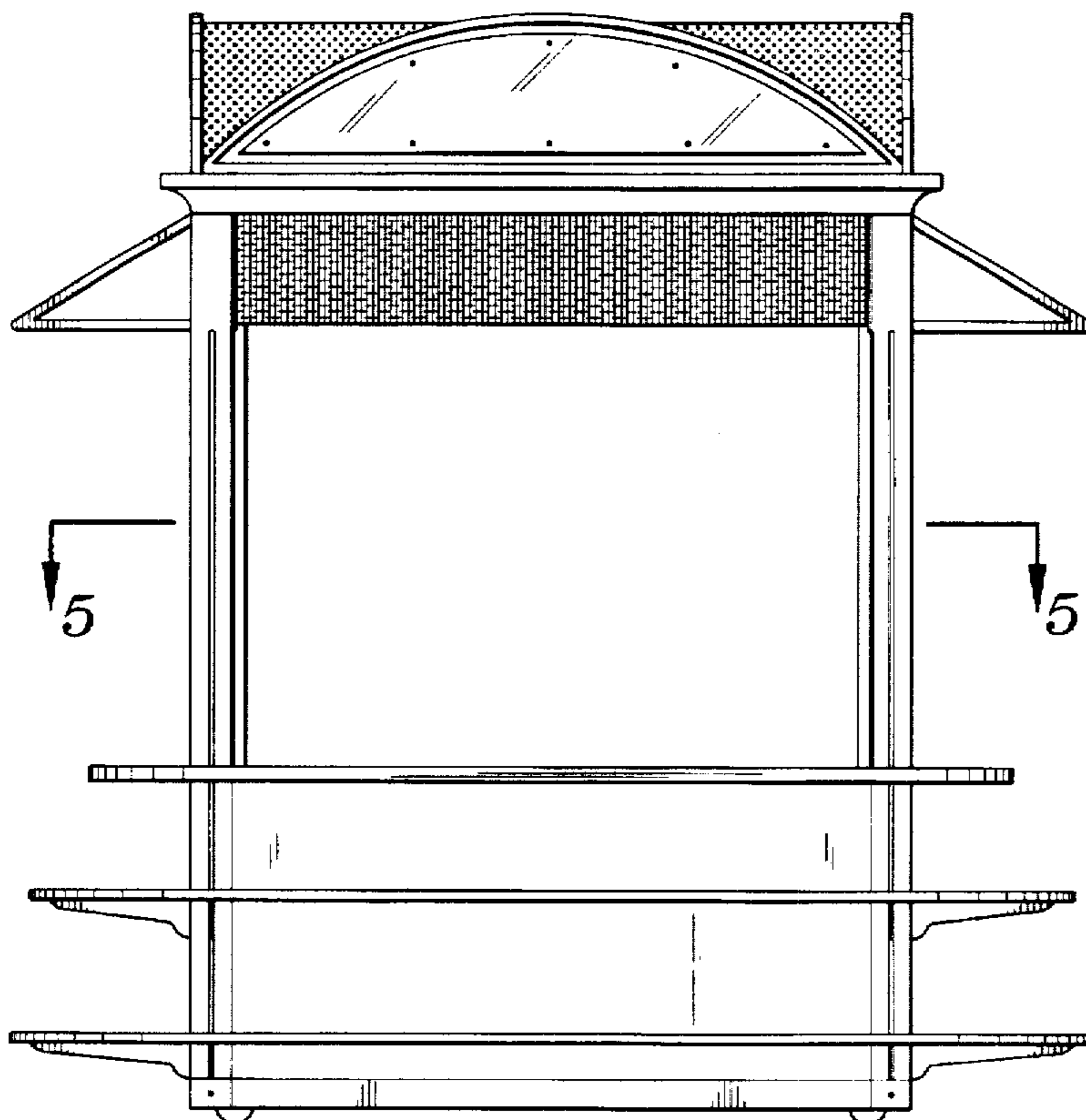
[57] **CLAIM**

The ornamental design for "kiosk", as shown and described.

**DESCRIPTION**

FIG. 1 is a front elevational view of a kiosk showing my new design, the rear being identical thereto;  
FIG. 2 is a left side elevational view thereof;  
FIG. 3 is a right side elevational view thereof;  
FIG. 4 is a top plan view thereof;  
FIG. 5 is a sectional view thereof taken generally along sectional lines 5—5 of FIG. 1; and,  
FIG. 6 is a bottom plan view thereof.

**1 Claim, 6 Drawing Sheets**



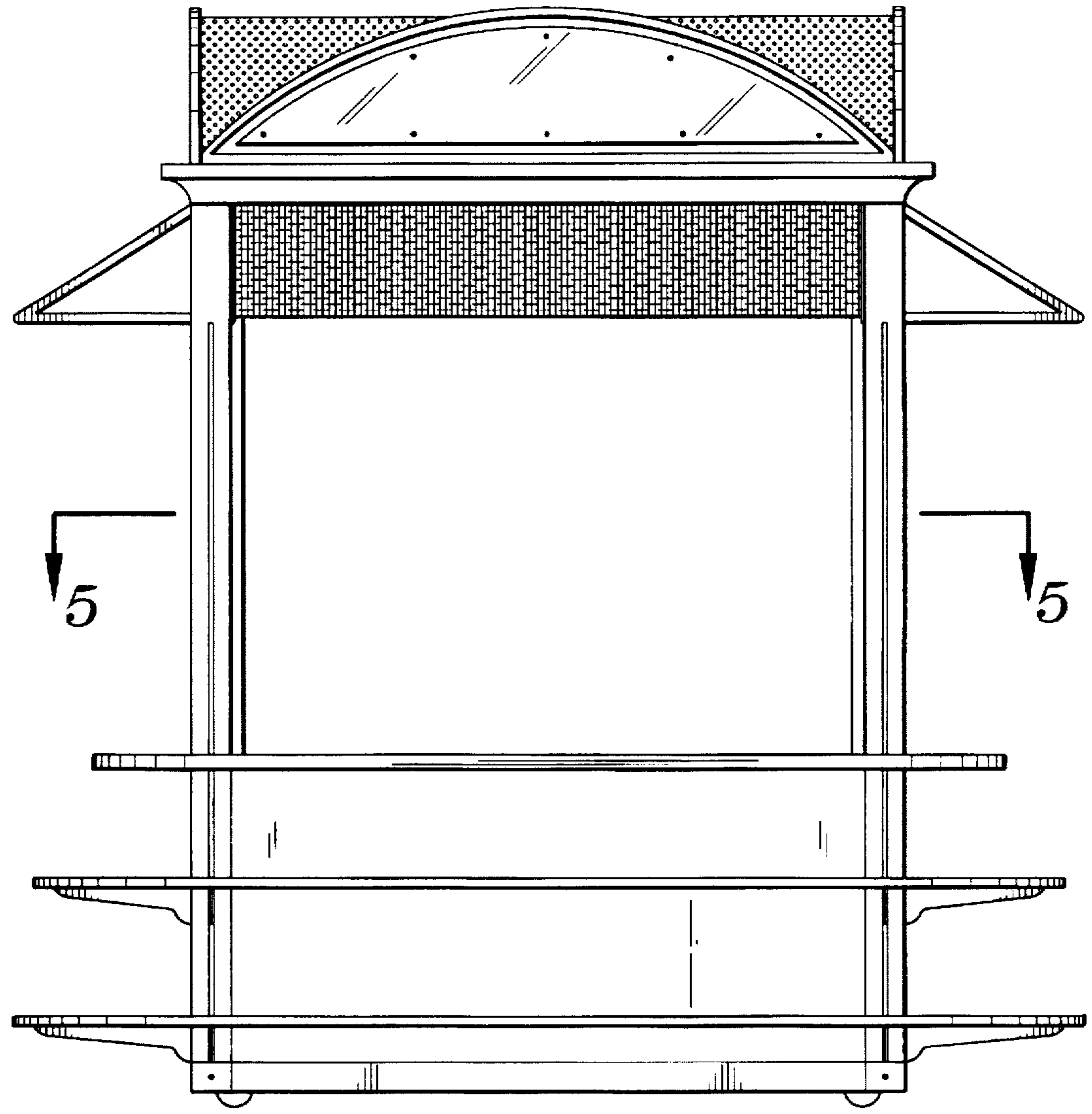
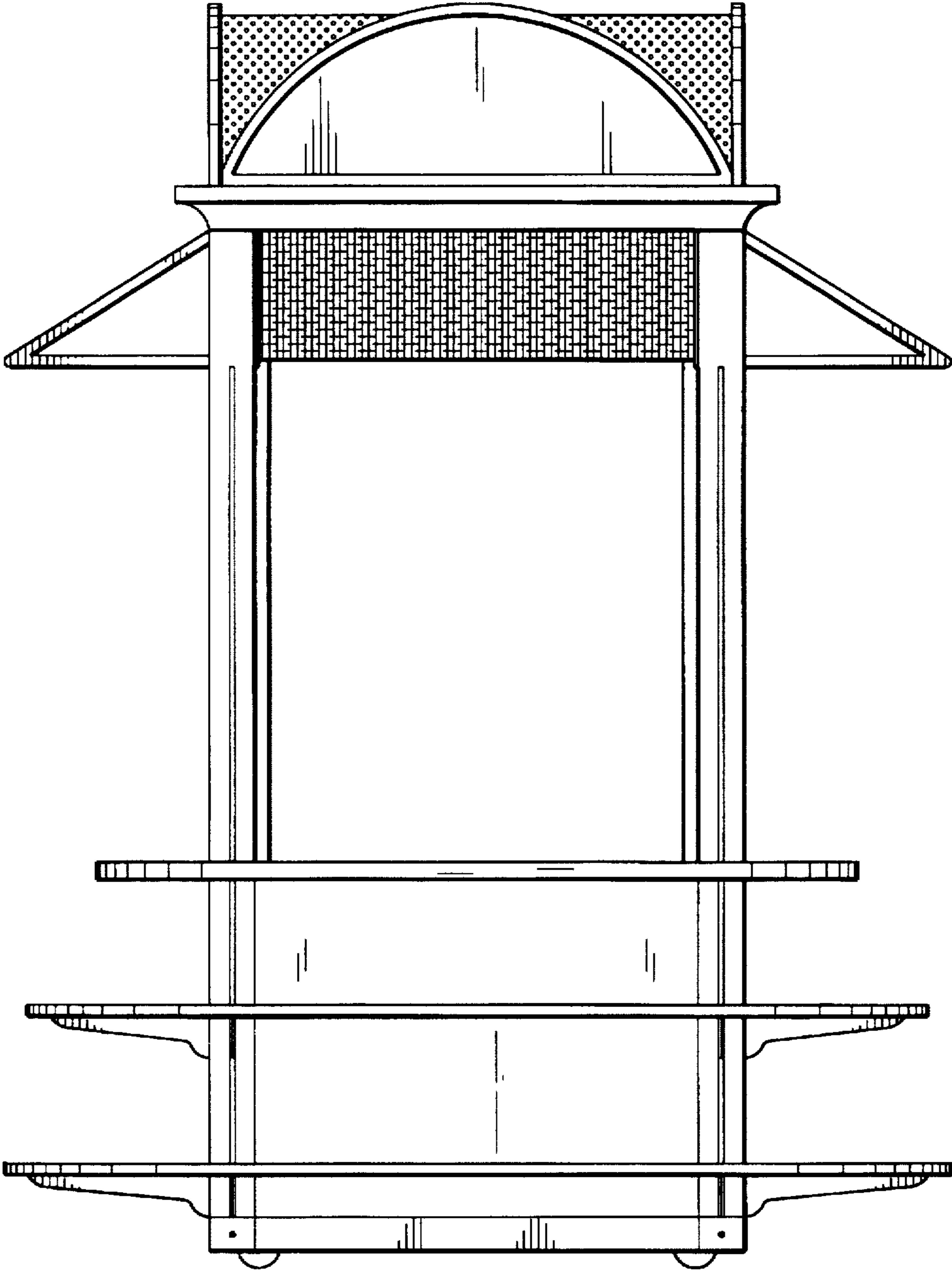
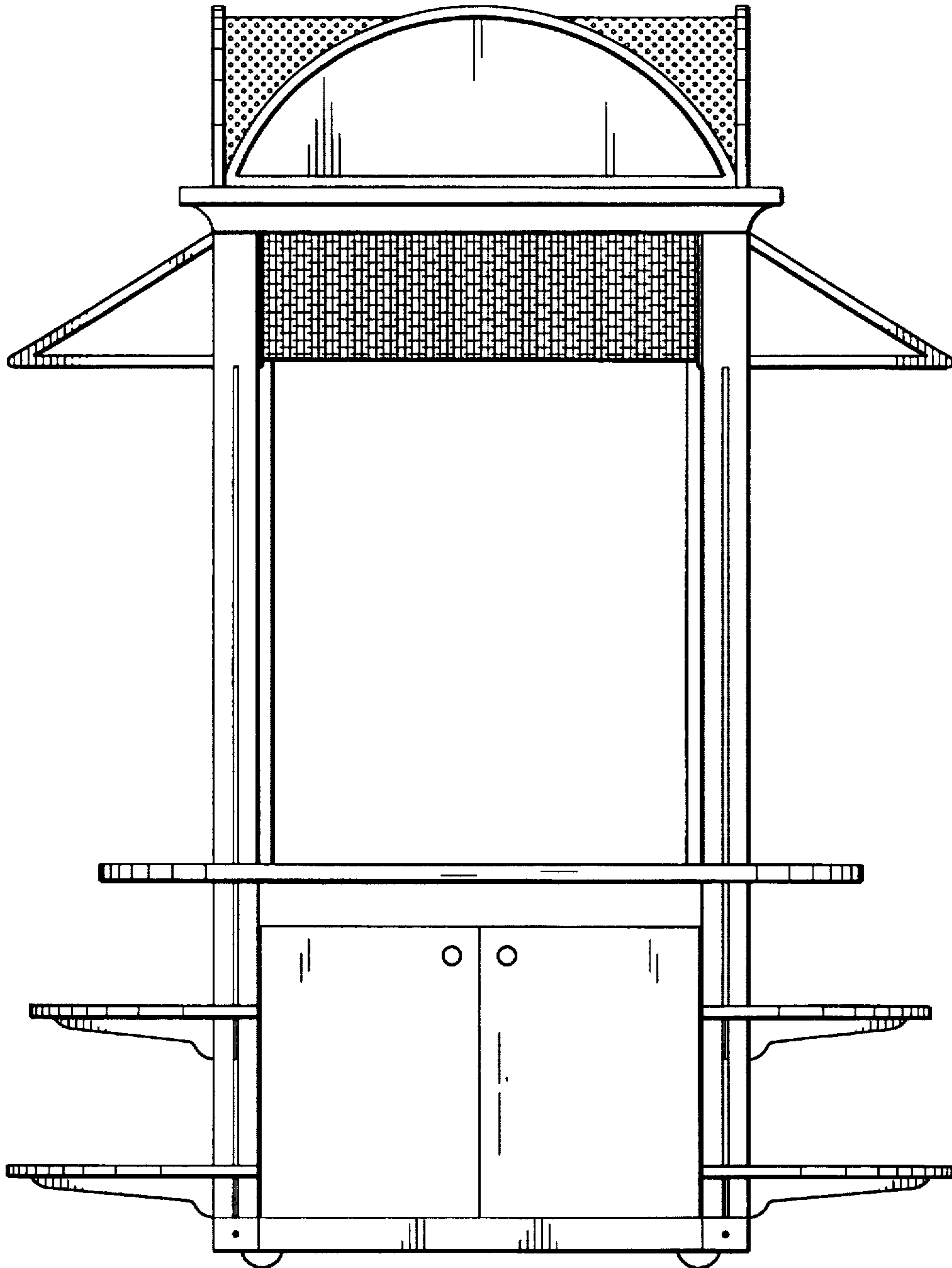


FIG. 1



*FIG. 2*



*FIG. 3*

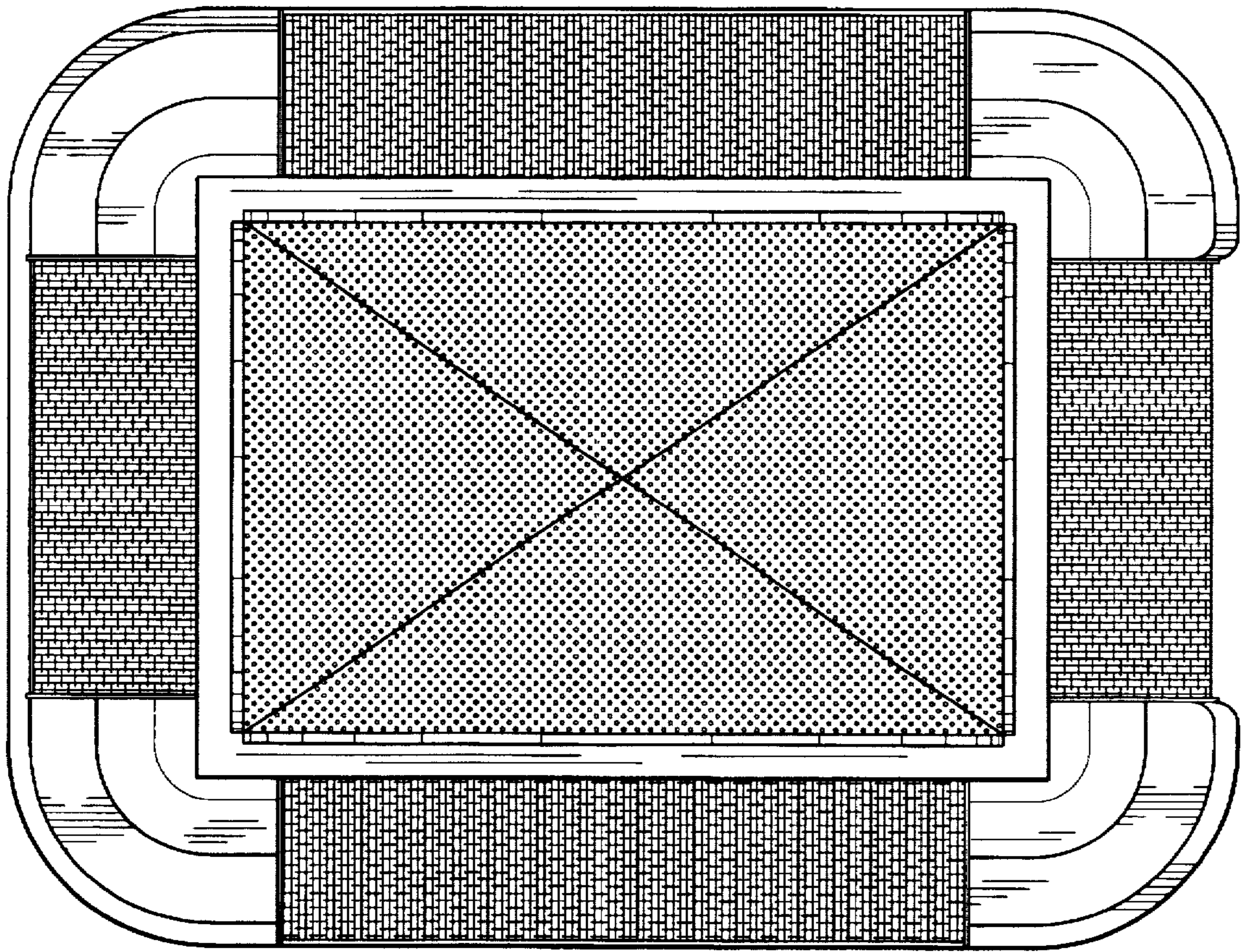


FIG. 4

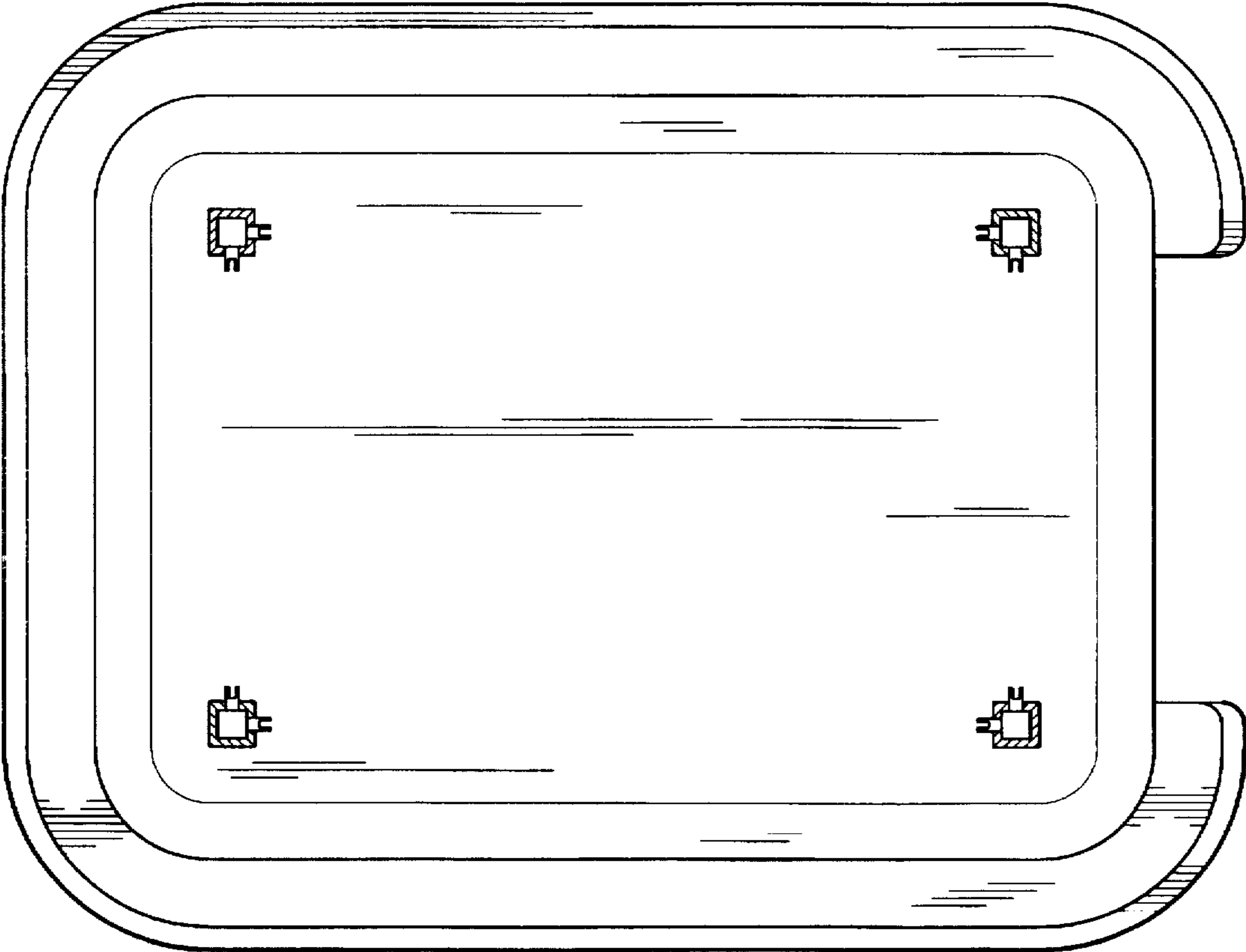
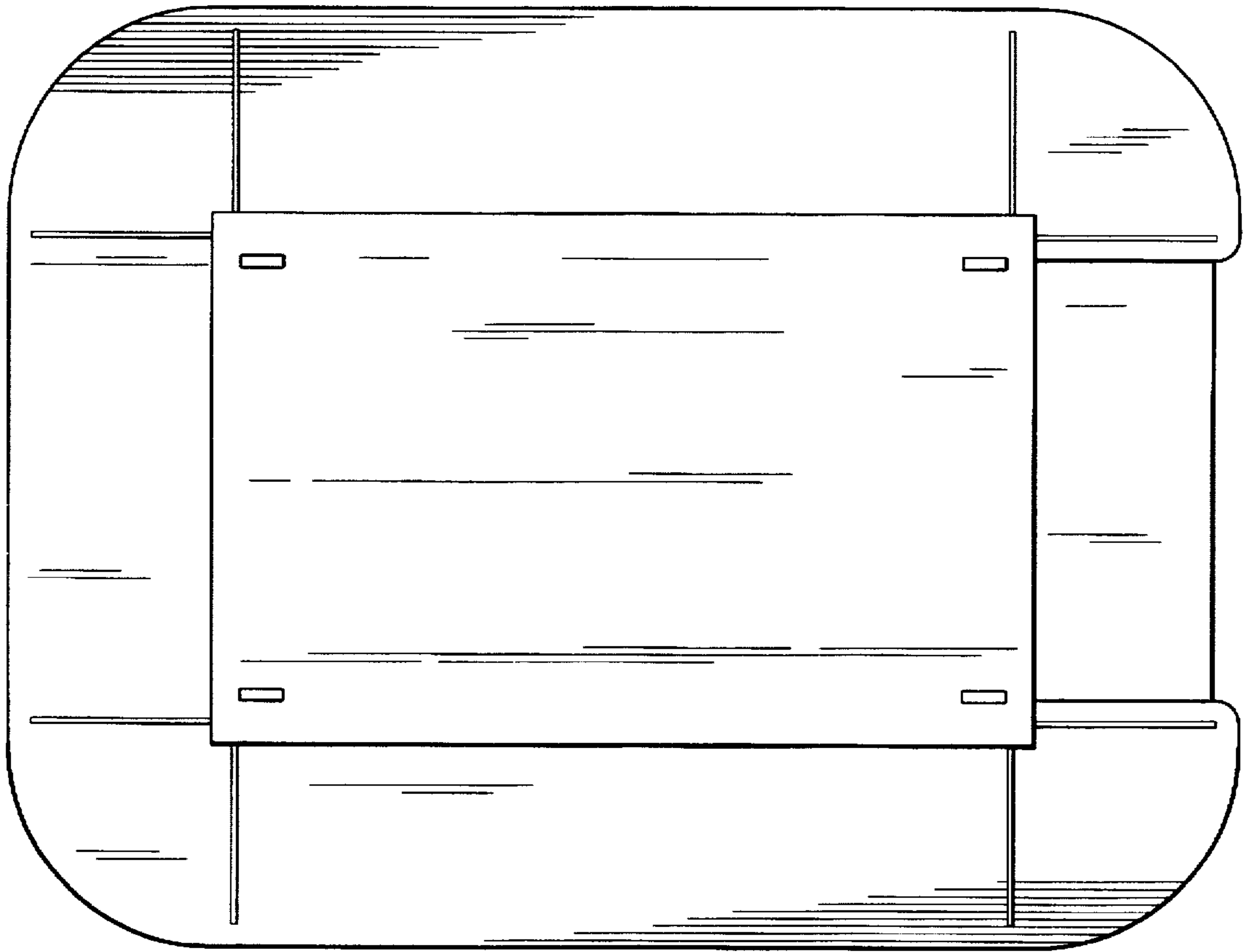


FIG. 5



*FIG. 6*