



US00D396111S

United States Patent [19]
Chien

[11] **Patent Number: Des. 396,111**
[45] **Date of Patent: **Jul. 14, 1998**

[54] **FOOT MASSAGER**

5,005,560 4/1991 Quam et al. 601/113

[76] **Inventor: Kuo-Ching Chien**, No. 7 Lane 74
Gong 5 Road Lungtan Hsiang, Taoyuan
Hsien, Taiwan

Primary Examiner—Stella Reid
Attorney, Agent, or Firm—Johnson Smith Pence et al.

[**] **Term: 14 Years**

[57] **CLAIM**

The ornamental design for a foot massager, as shown and described.

[21] **Appl. No.: 67,590**

[22] **Filed: Mar. 7, 1997**

DESCRIPTION

[51] **LOC (6) Cl. 24-04**

[52] **U.S. Cl. D24/211**

[58] **Field of Search** D24/211, 212,
D24/213; 601/27, 28, 29, 32, 113, 115,
118, 122, 128, 131, 134, 136

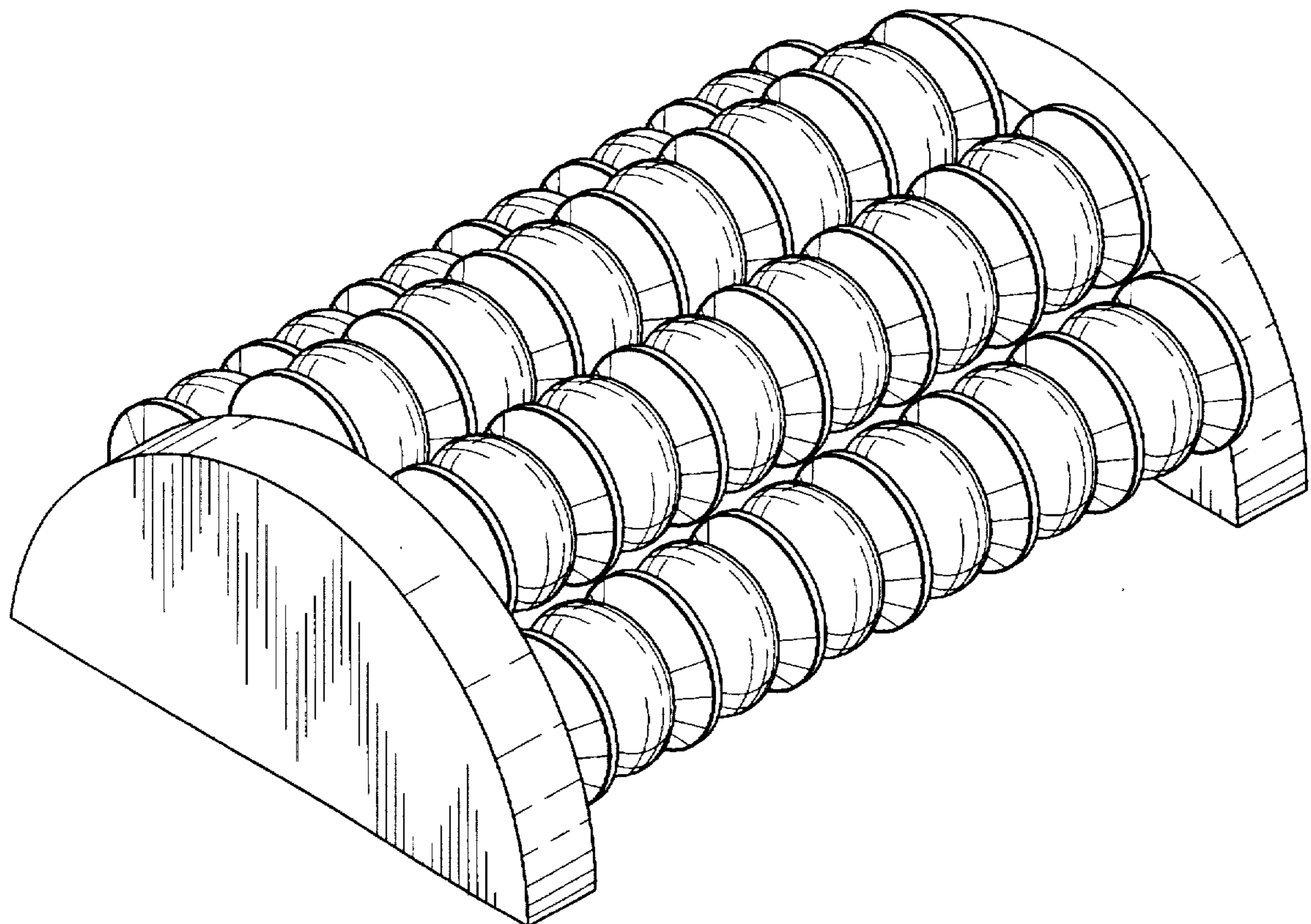
FIG. 1 is a top, front and left side perspective view of the foot massager showing my new design;
FIG. 2 is a front view of a foot massager, the rear view being identical thereof;
FIG. 3 is a left side view of the foot massager, the right side view being identical thereof, the broken line showing of the foot being for illustrative purposes only and forming no part of the claimed design;
FIG. 4 is a top view of the foot massager; and,
FIG. 5 is a bottom view of the foot massager.

[56] **References Cited**

U.S. PATENT DOCUMENTS

- D. 242,826 12/1976 Posh et al. D24/212
- D. 253,967 1/1980 Miyadai D24/212
- 4,347,838 9/1982 McCauley 601/136 X

1 Claim, 5 Drawing Sheets



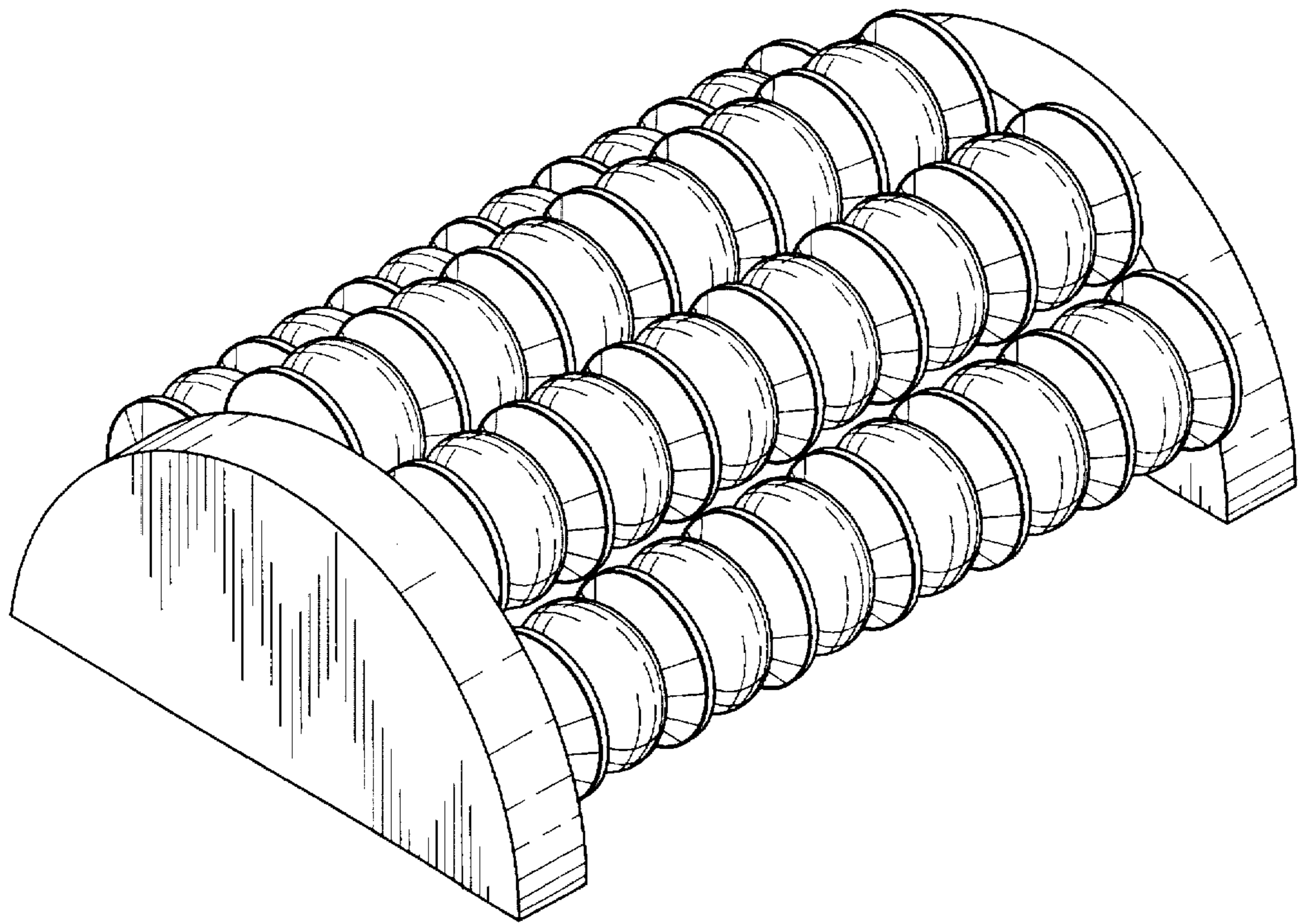


Fig. 1

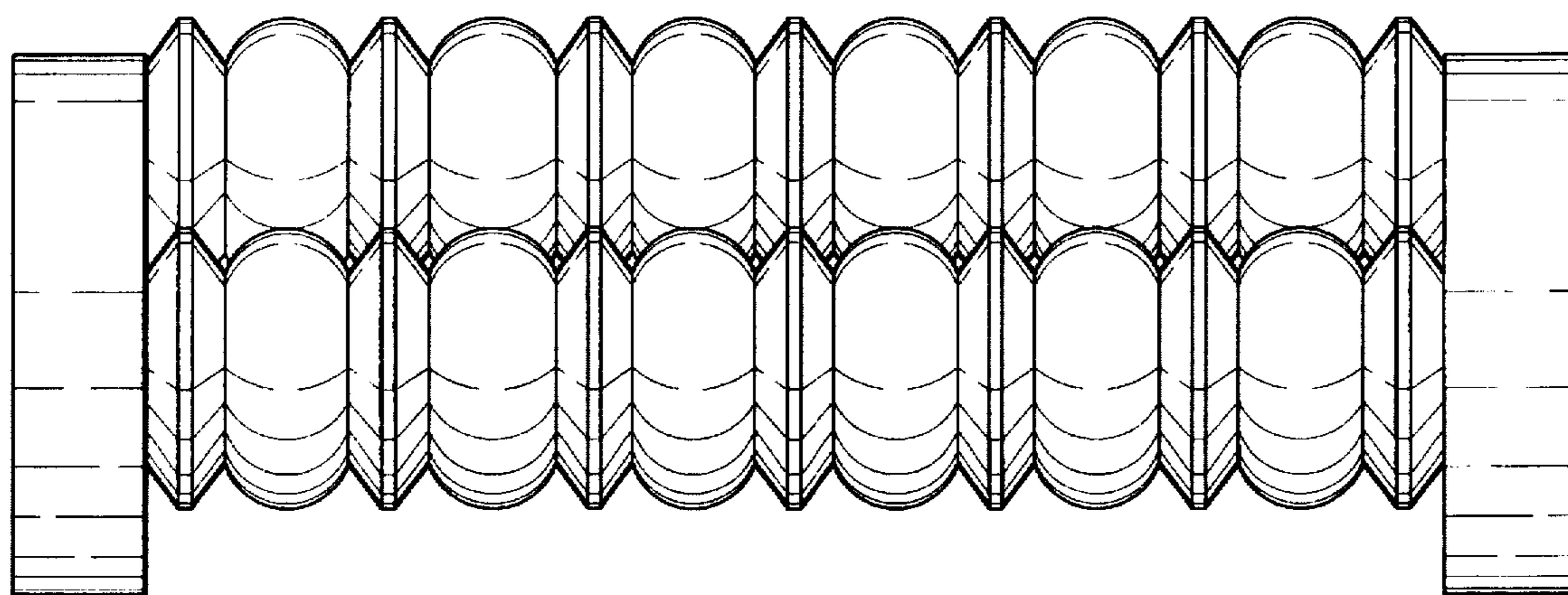


Fig. 2

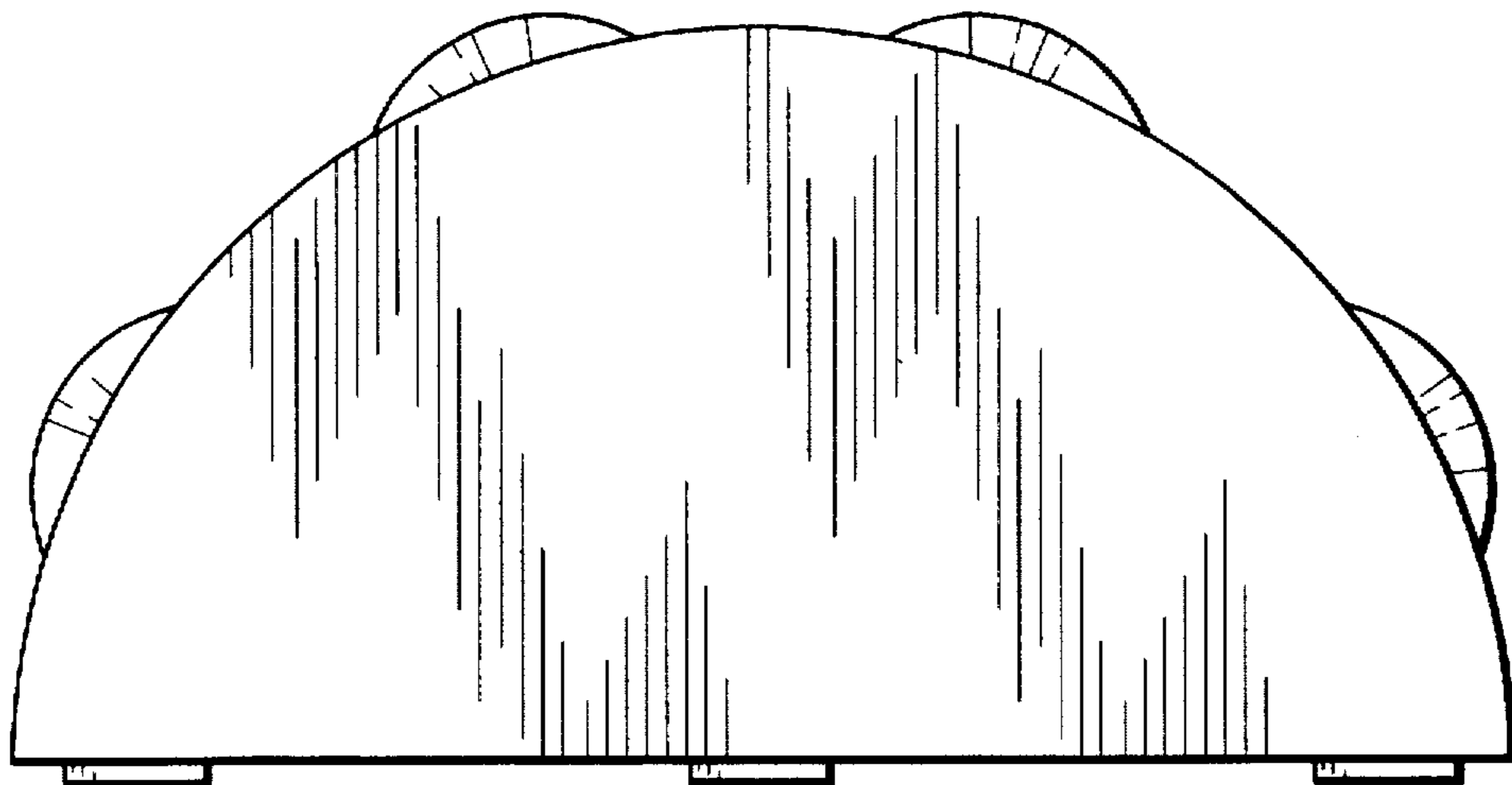


Fig. 3

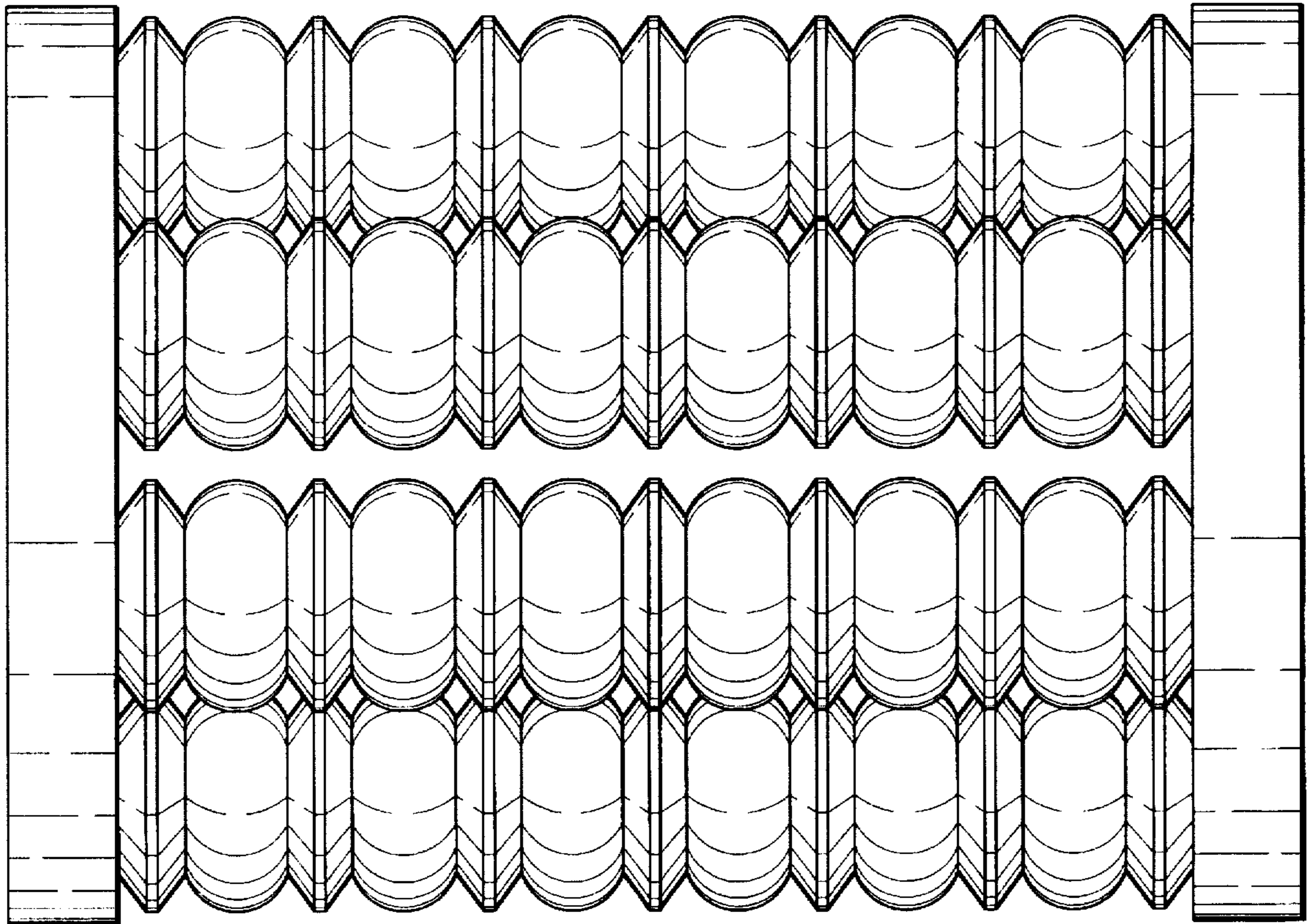


Fig. 4

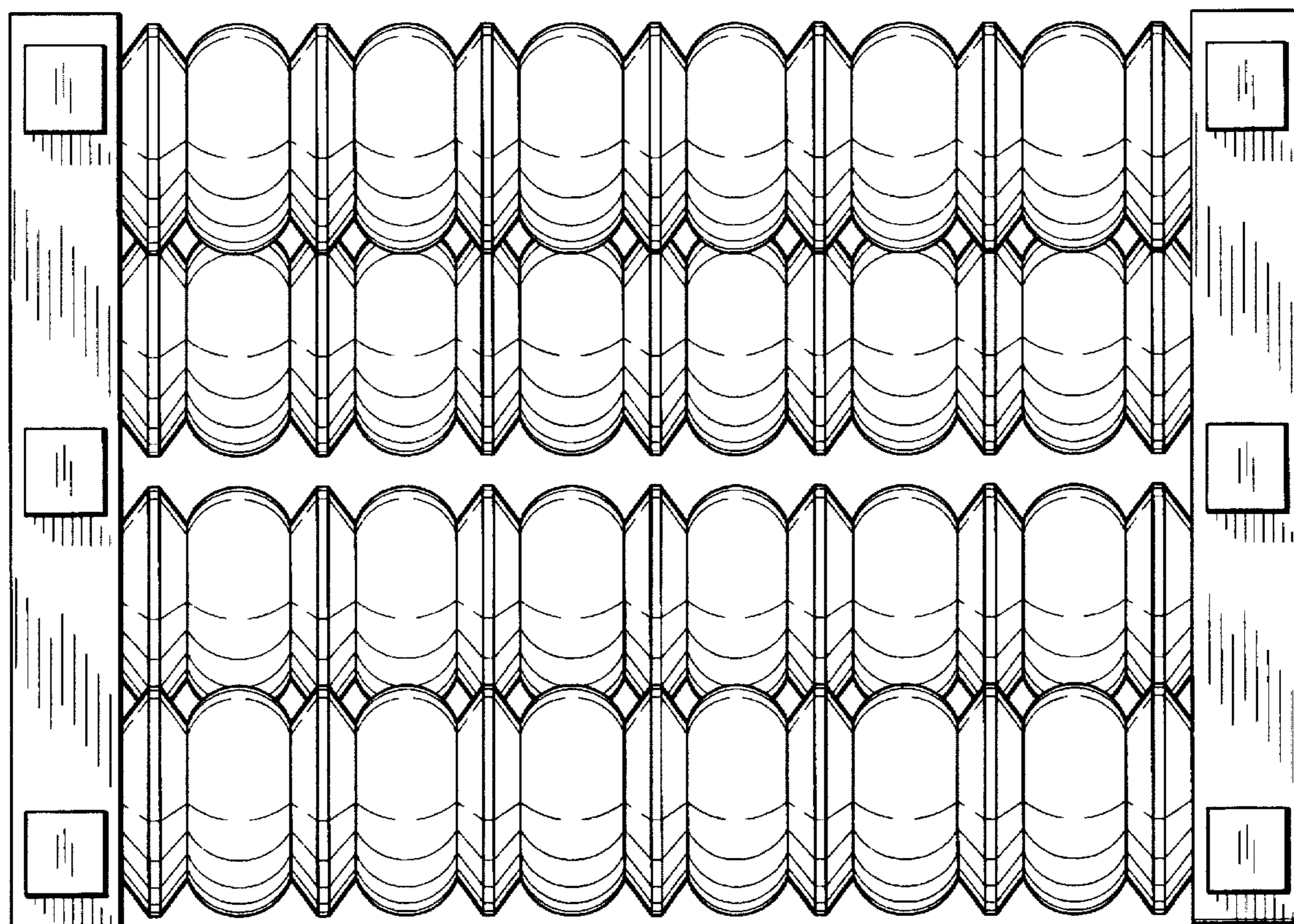


Fig. 5