



US00D396107S

United States Patent [19]

Utas et al.

[11] Patent Number: **Des. 396,107**

[45] Date of Patent: ****Jul. 14, 1998**

[54] **HOLDER FOR A CATHETER**

[75] Inventors: **Jan Mikael Roy Utas**, Kungsbacka;
Magnus Karemyr, Stenkullen, both of
Sweden

[73] Assignee: **Astra Aktiebolag**, Södertälje, Sweden

[**] Term: **14 Years**

[21] Appl. No.: **73,684**

[22] Filed: **Jul. 15, 1997**

Related U.S. Application Data

[63] Continuation of Ser. No. 47,992, Dec. 18, 1995, abandoned.

[30] **Foreign Application Priority Data**

Jun. 28, 1995 [GB] United Kingdom 2048448

[51] LOC (6) Cl. **24-02**

[52] U.S. Cl. **D24/143**

[58] Field of Search D24/133, 143,
D24/148, 149, 153, 128, 129; D8/107,
82; D30/331; 482/44, 49; 128/657, 658;
D21/198, 222

[56] **References Cited**

U.S. PATENT DOCUMENTS

D. 262,599 1/1982 Wallace D8/82

D. 299,108	12/1988	Brdnik	D8/107
D. 309,409	7/1990	Kiernan	D8/107
D. 349,342	8/1994	Van Noy et al.	D24/133
4,282,783	8/1981	Fortune	D8/107
4,799,496	1/1989	Hargreaves et al.	128/657
4,943,047	7/1990	Noble	482/49
5,275,173	1/1994	Samson et al.	128/772
5,331,739	7/1994	Basangy	30/331
5,498,256	3/1996	Furnish	606/170

Primary Examiner—Doris Clark
Attorney, Agent, or Firm—White & Case

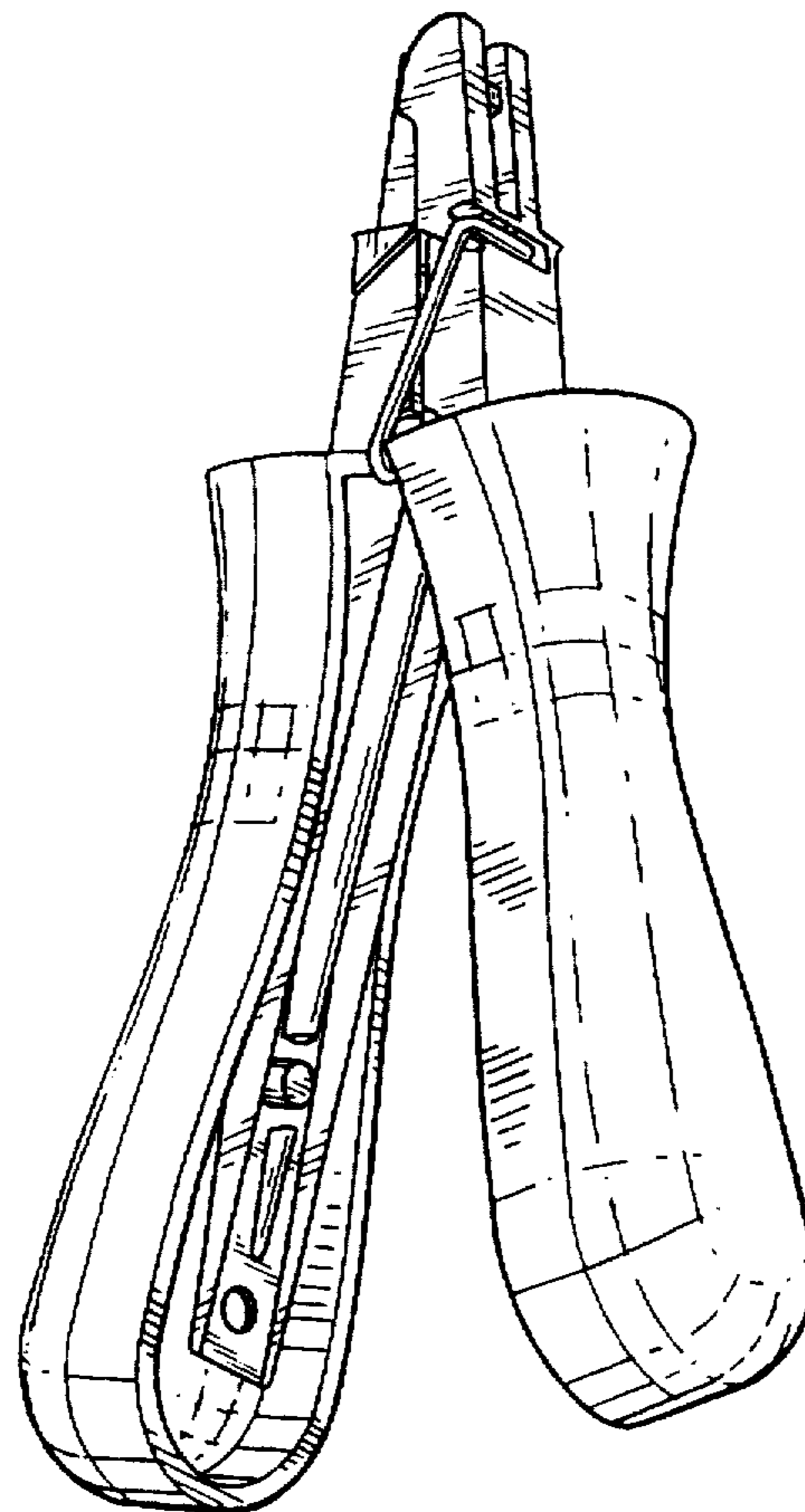
[57] **CLAIM**

The ornamental design for a holder for a catheter, as shown and described.

DESCRIPTION

FIG. 1 is a perspective view of a holder for a catheter, showing our new design;
FIG. 2 is a perspective view from the other side thereof;
FIG. 3 is a side view thereof, the opposite side being a mirror image thereof;
FIG. 4 is a front view thereof, the opposite side being a mirror image thereof; and,
FIG. 5 is a side view thereof, showing a holder for a catheter in an alternate position.

1 Claim, 2 Drawing Sheets



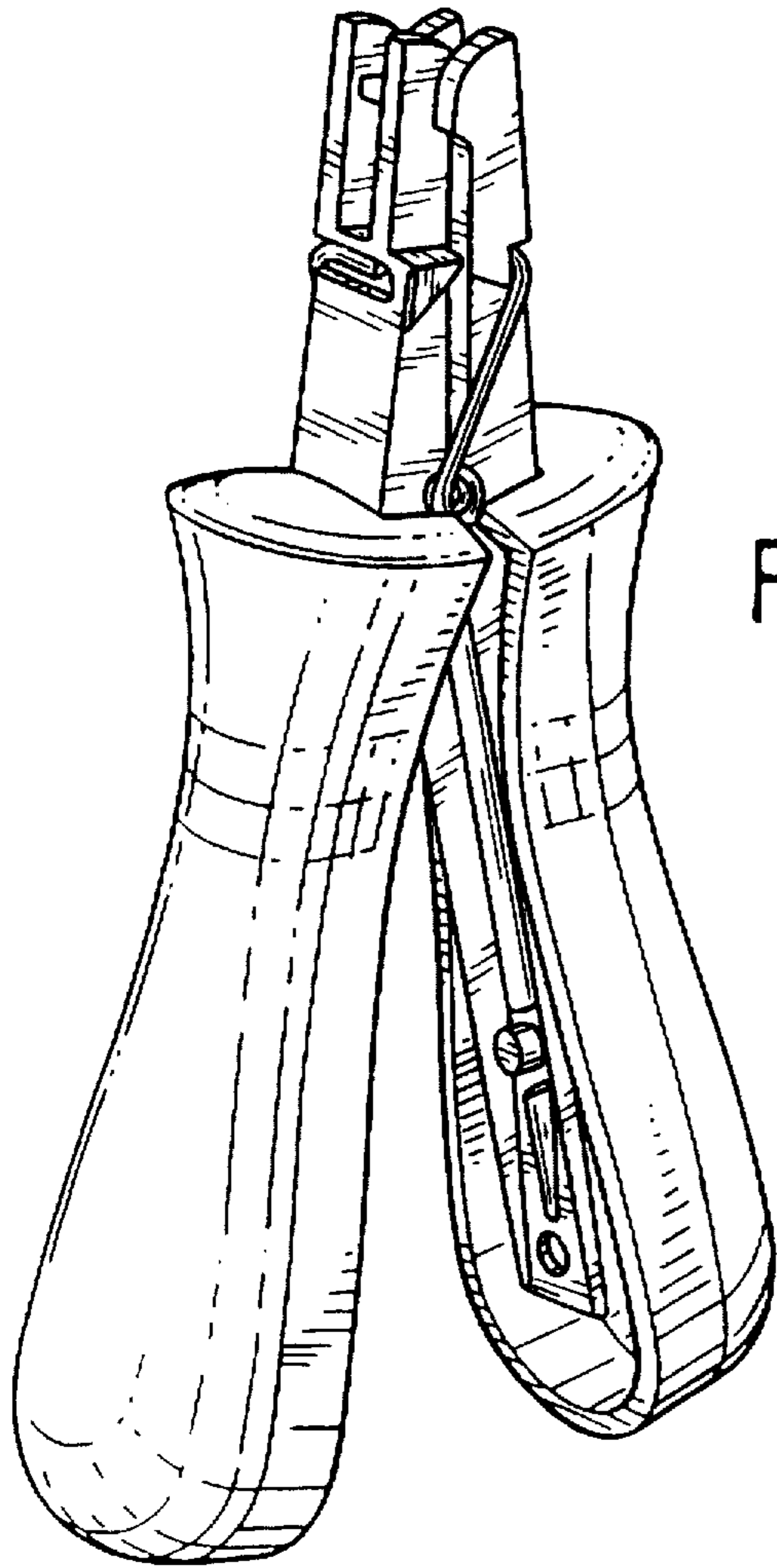


FIG. 1.

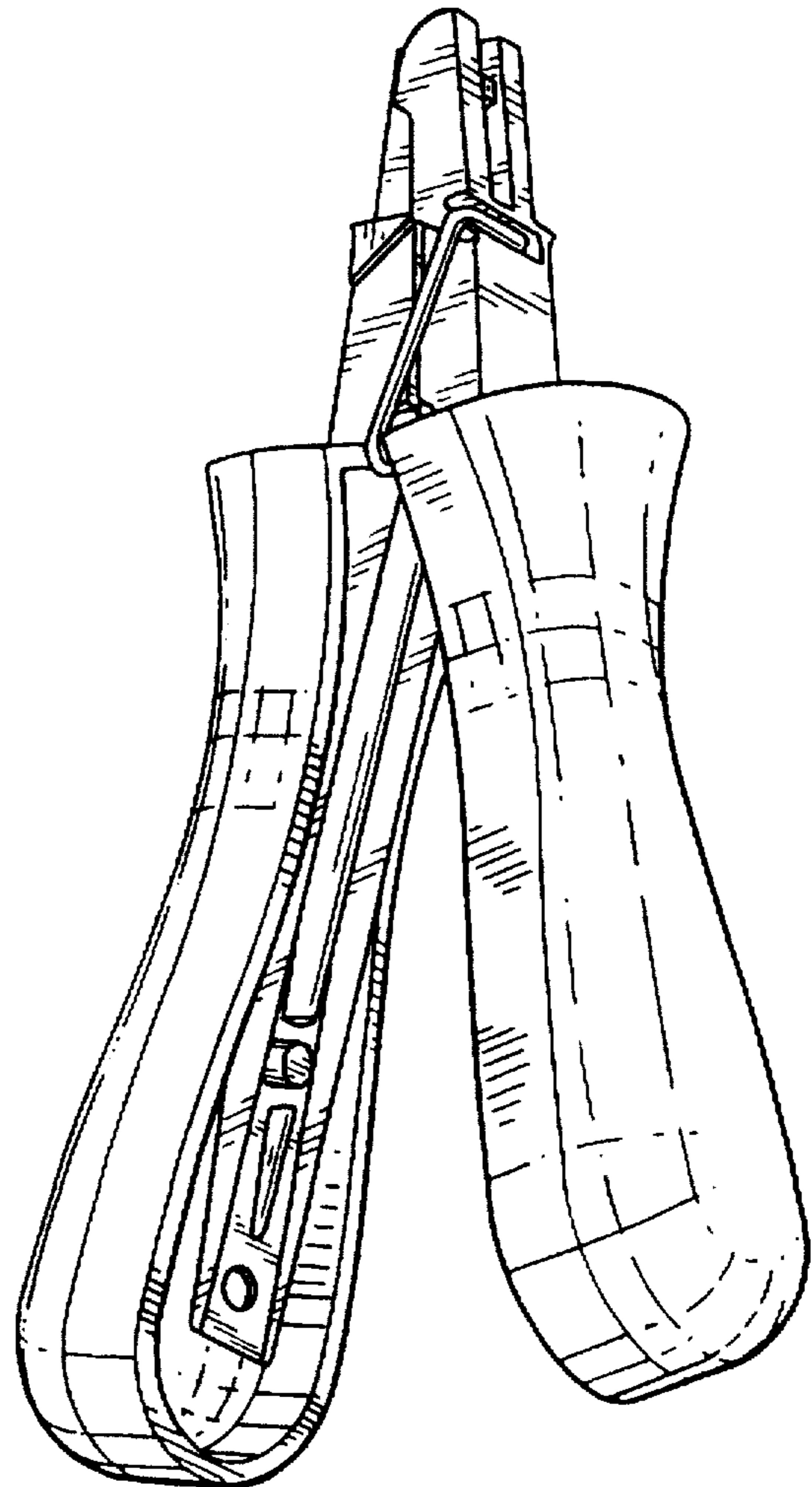


FIG. 2.

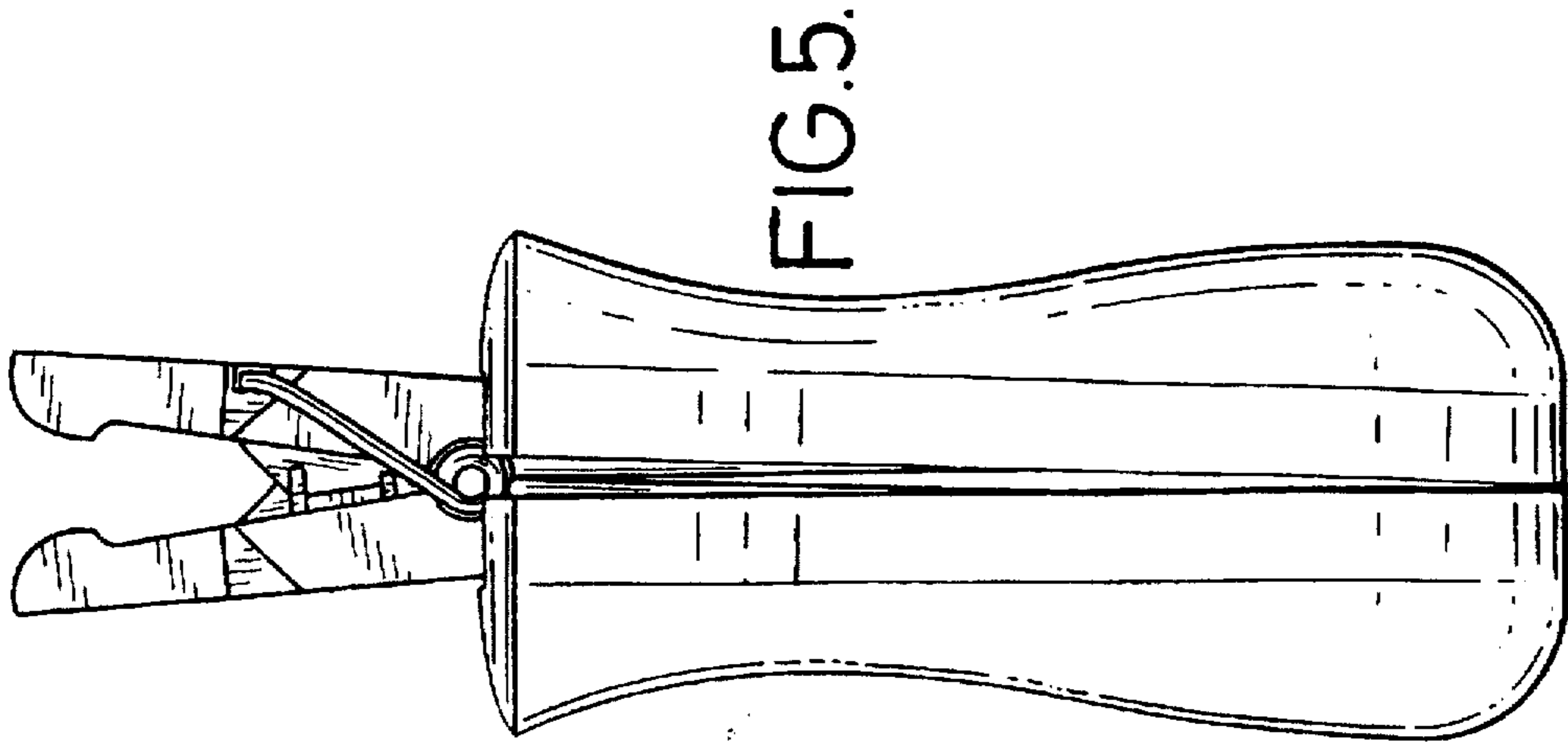


FIG. 5.

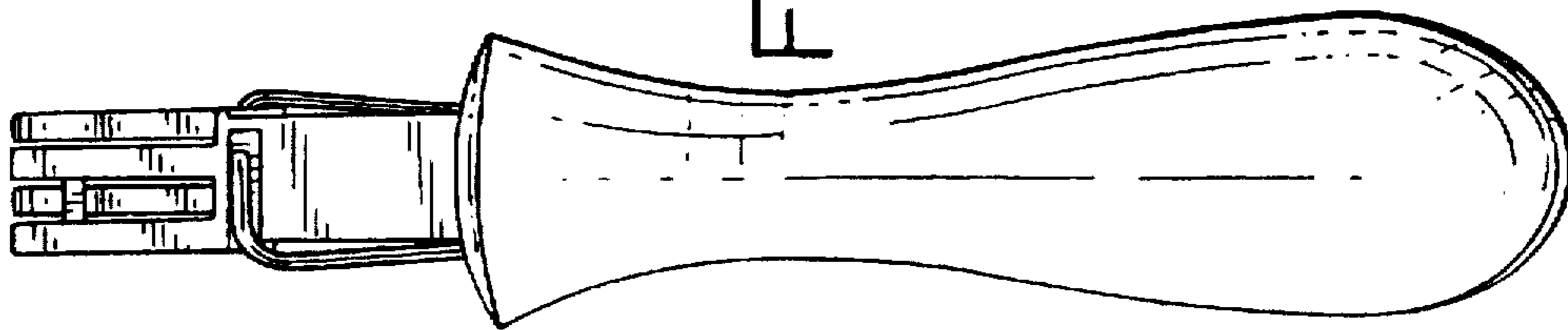


FIG. 4.

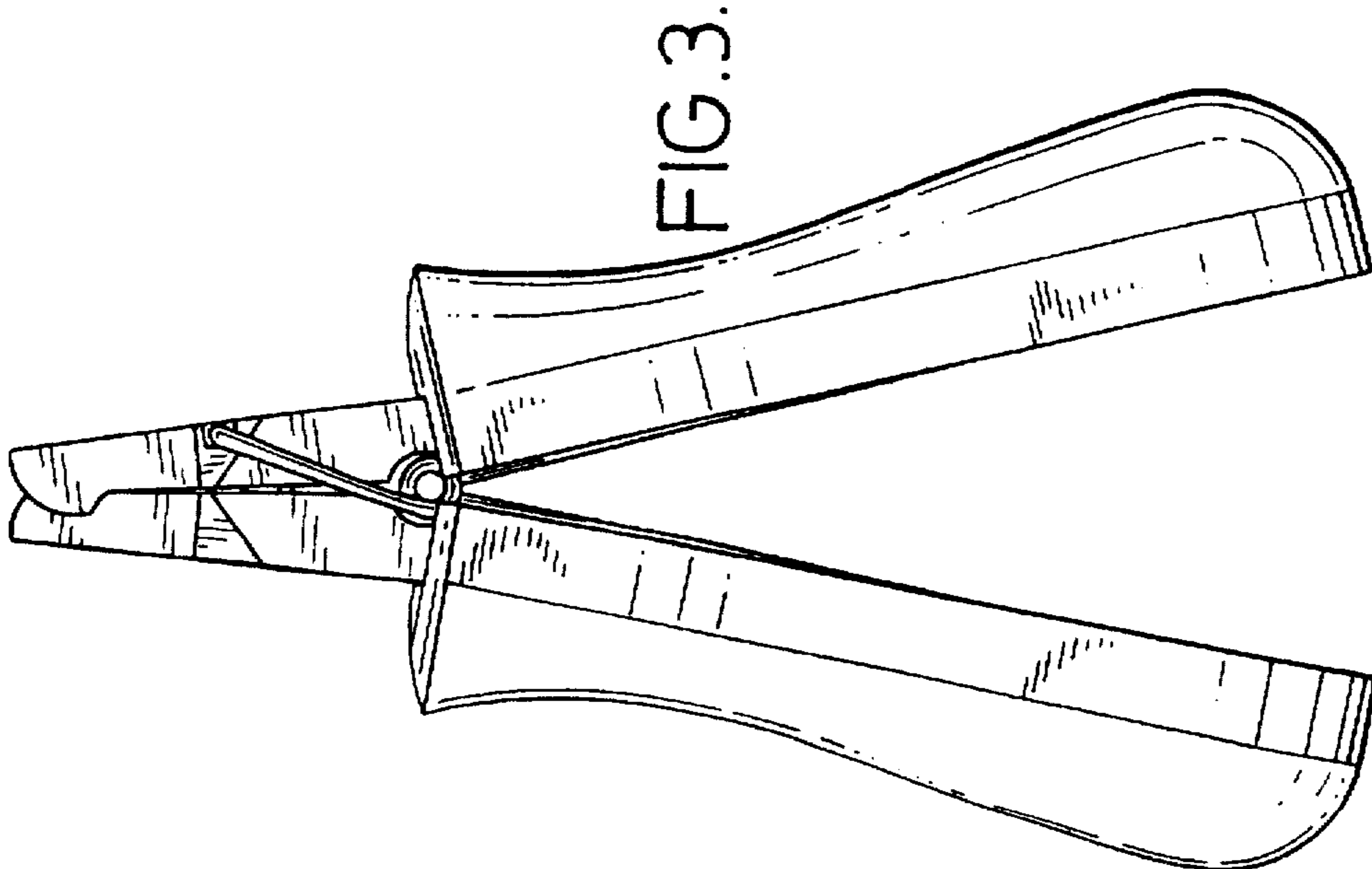


FIG. 3.