



US00D396104S

United States Patent [19]
Radtke

[11] **Patent Number: Des. 396,104**
[45] **Date of Patent: **Jul. 14, 1998**

[54] **PORTABLE FAN WITH AN ELONGATE AND FLEXIBLE NECK**

Attorney, Agent, or Firm—Gifford, Krass, Groh, Spinkle, Patmore, Anderson & Citkowski.P.C.

[75] **Inventor: Lee Radtke, Lake Zurich, Ill.**

[57] **CLAIM**

[73] **Assignee: CirculaIr, Inc., Niles, Ill.**

The ornamental design for a portable fan with an elongate and flexible neck, as shown and described.

[**] **Term: 14 Years**

DESCRIPTION

[21] **Appl. No.: 73,706**

FIG. 1 is a perspective view of a portable fan with an elongate and flexible neck showing my new design;

[22] **Filed: Jul. 16, 1997**

FIG. 2 is an enlarged elevational view thereof of the present design;

[51] **LOC (6) Cl. 23-04**

[52] **U.S. Cl. D23/379; D23/332**

FIG. 3 is an enlarged elevational view thereof of the present design;

[58] **Field of Search D23/370, 332, D23/379, 411, 413; 416/246, 247**

FIG. 4 is an enlarged bottom plan view thereof of the present design;

[56] **References Cited**

U.S. PATENT DOCUMENTS

D. 372,772 8/1996 Dubois et al. D23/382

FIG. 5 is an enlarged top plan view of the present design;

OTHER PUBLICATIONS

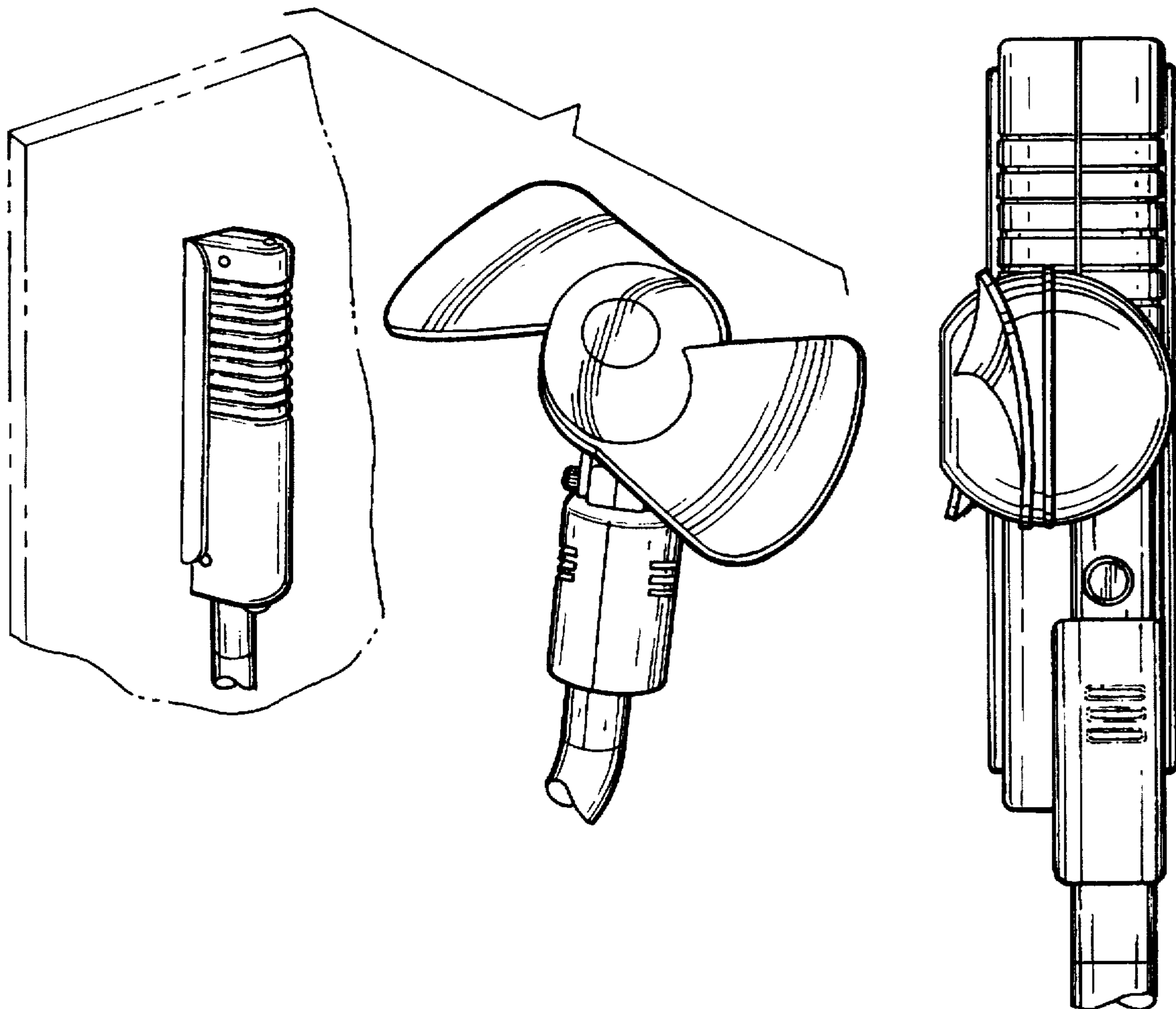
Hong Kong Enterprise, p. 434, Fans A and B, top right side of page, Feb. 1997.

FIG. 6 is an enlarged left side view of the present design; and,

FIG. 7 is an enlarged corresponding right side view of the present design.

Primary Examiner—Lisa Lichtenstein

1 Claim, 3 Drawing Sheets



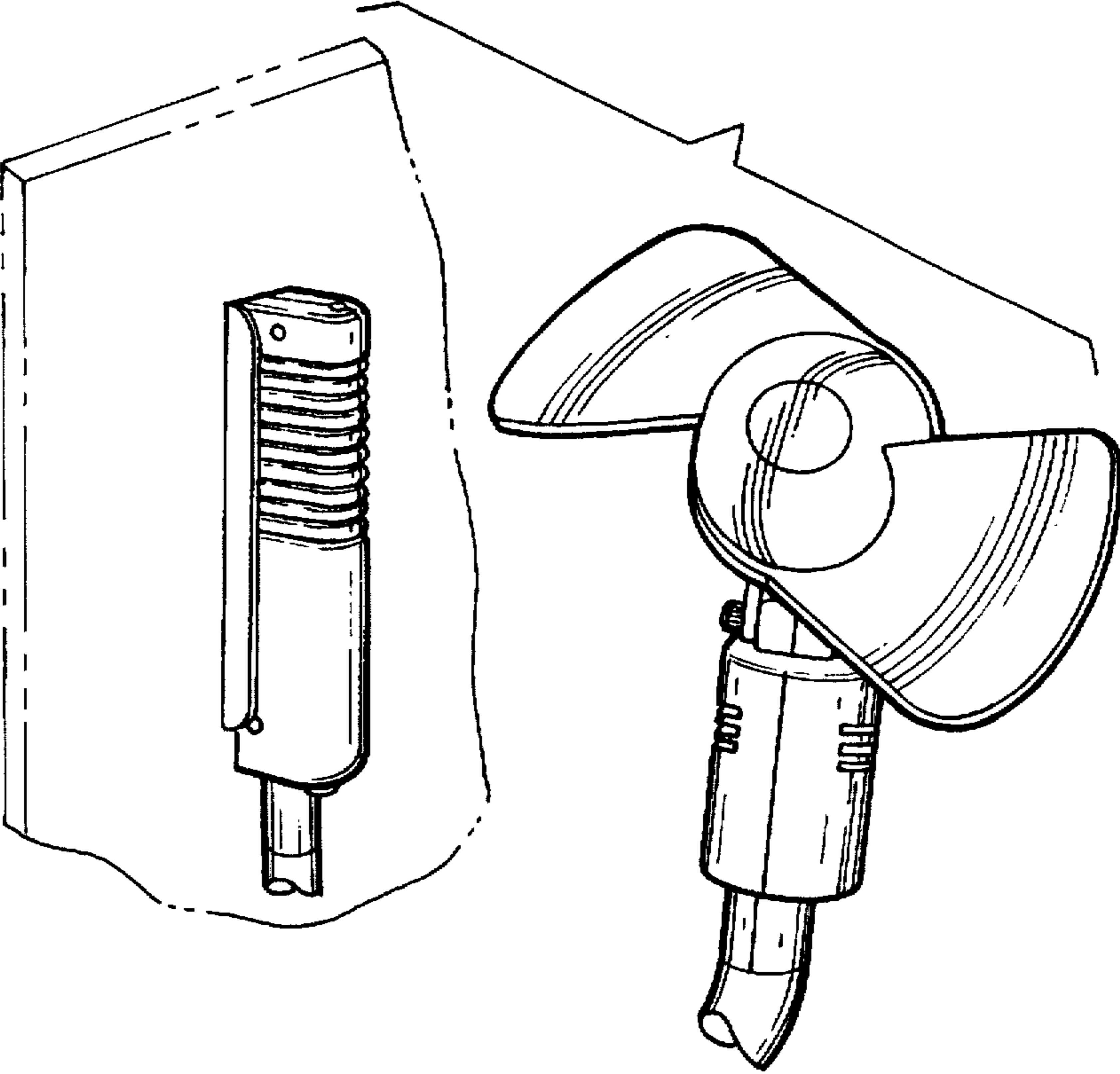


Fig-1

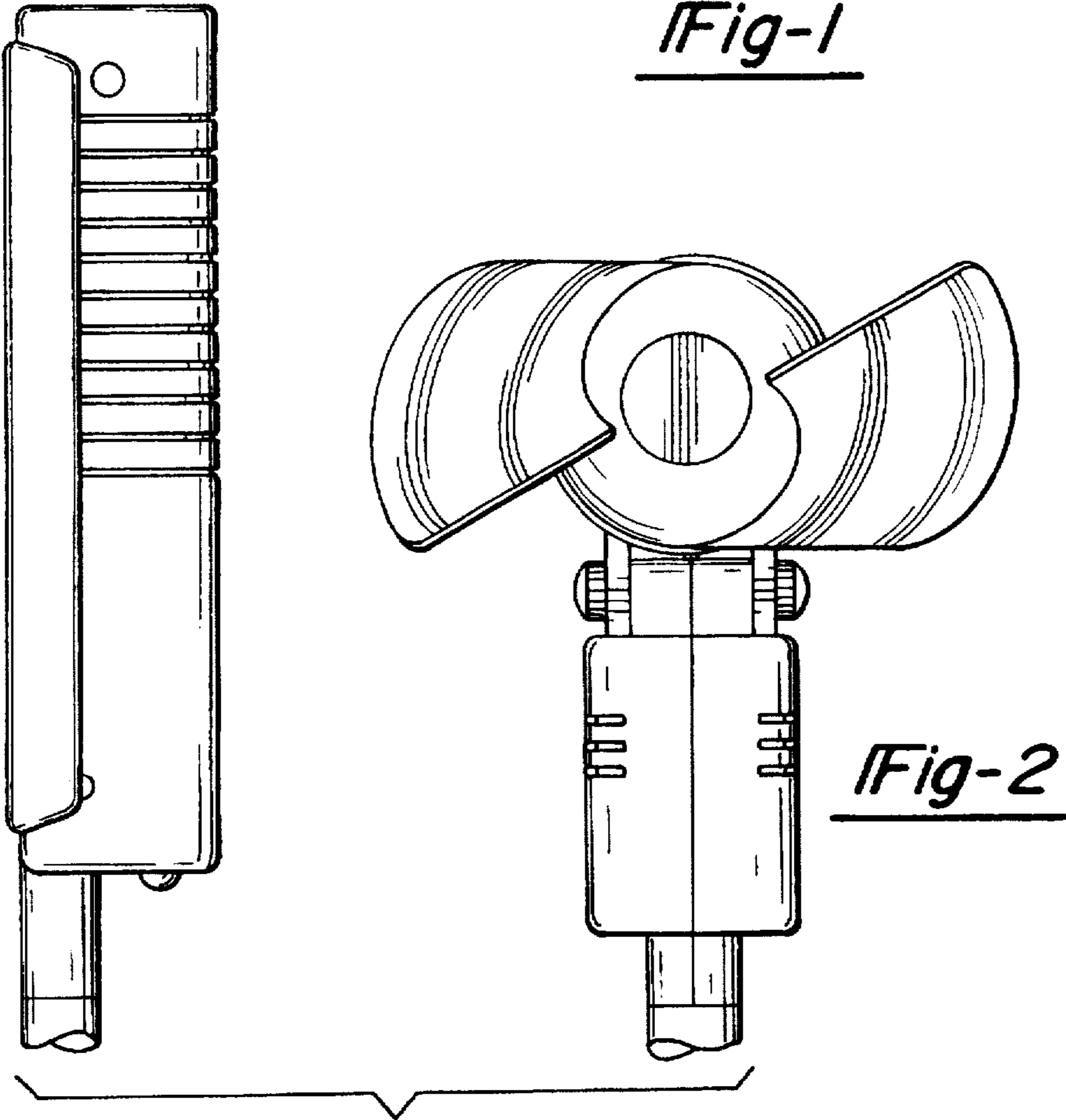


Fig-2

Fig-3

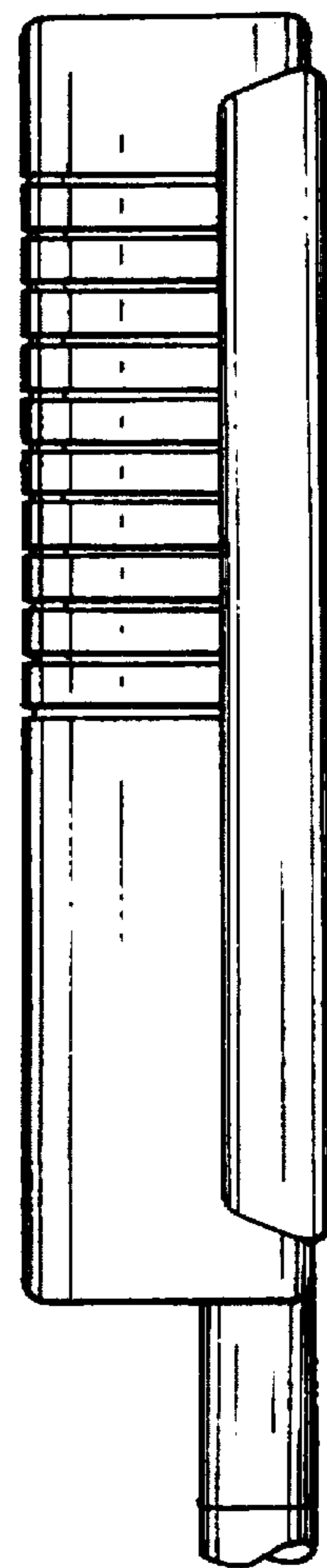
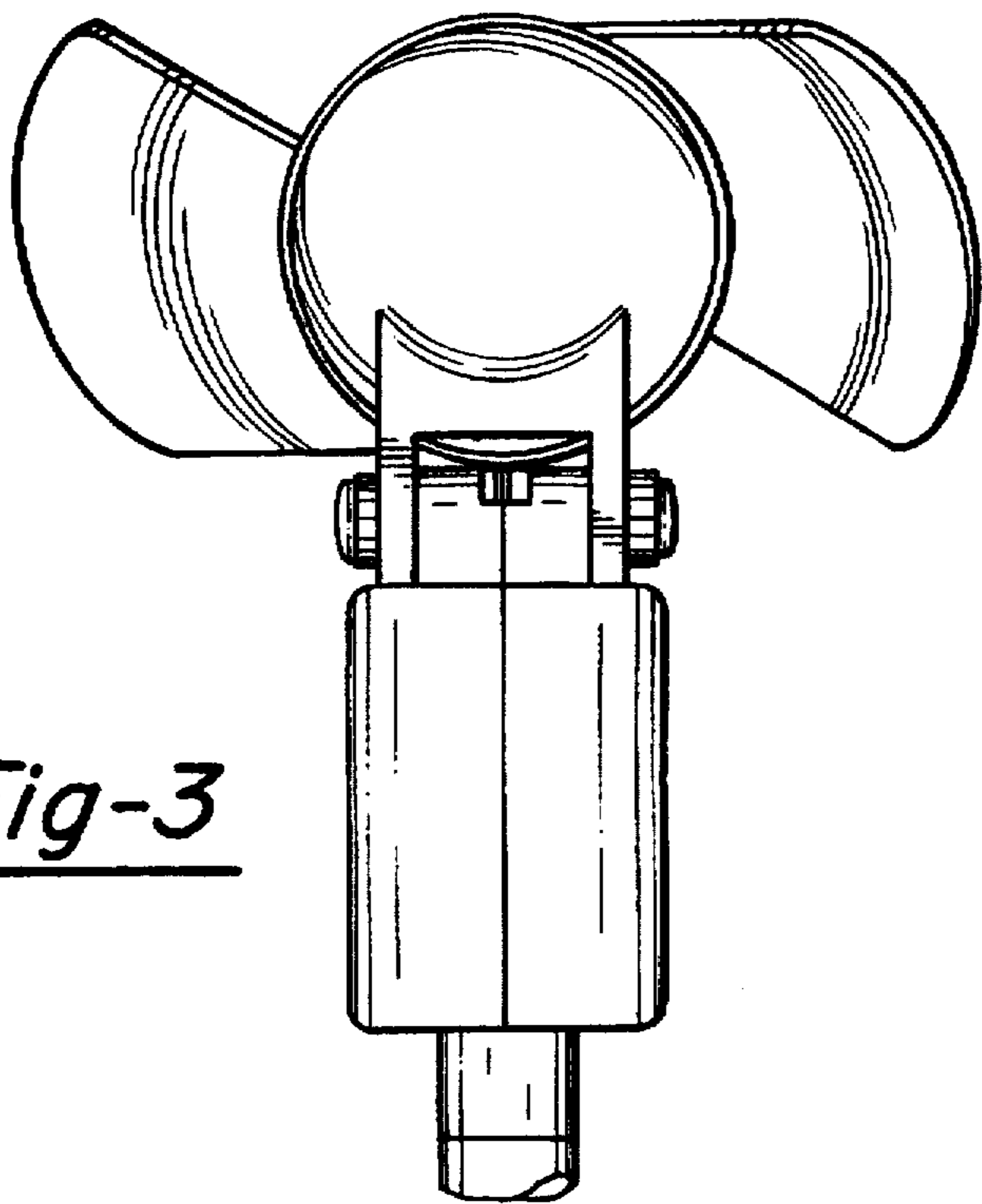
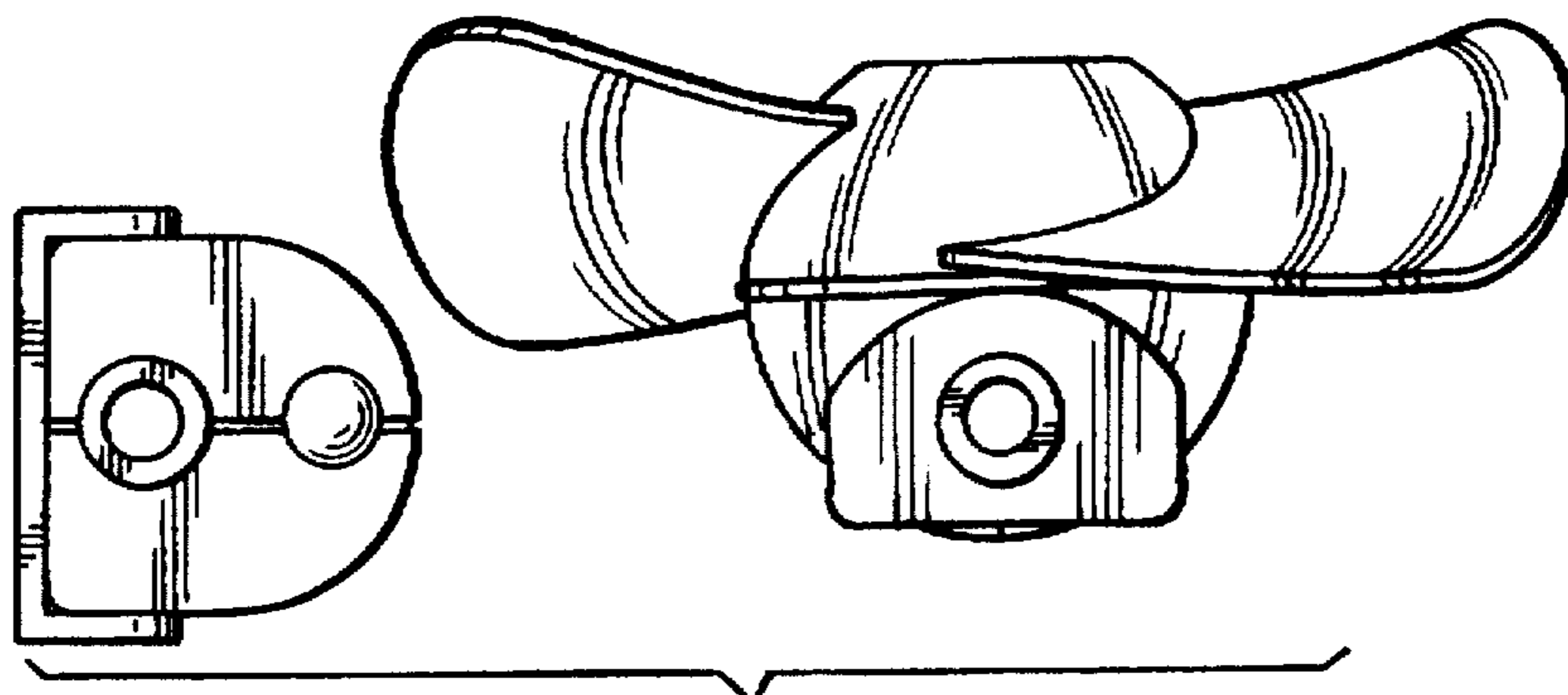


Fig-4



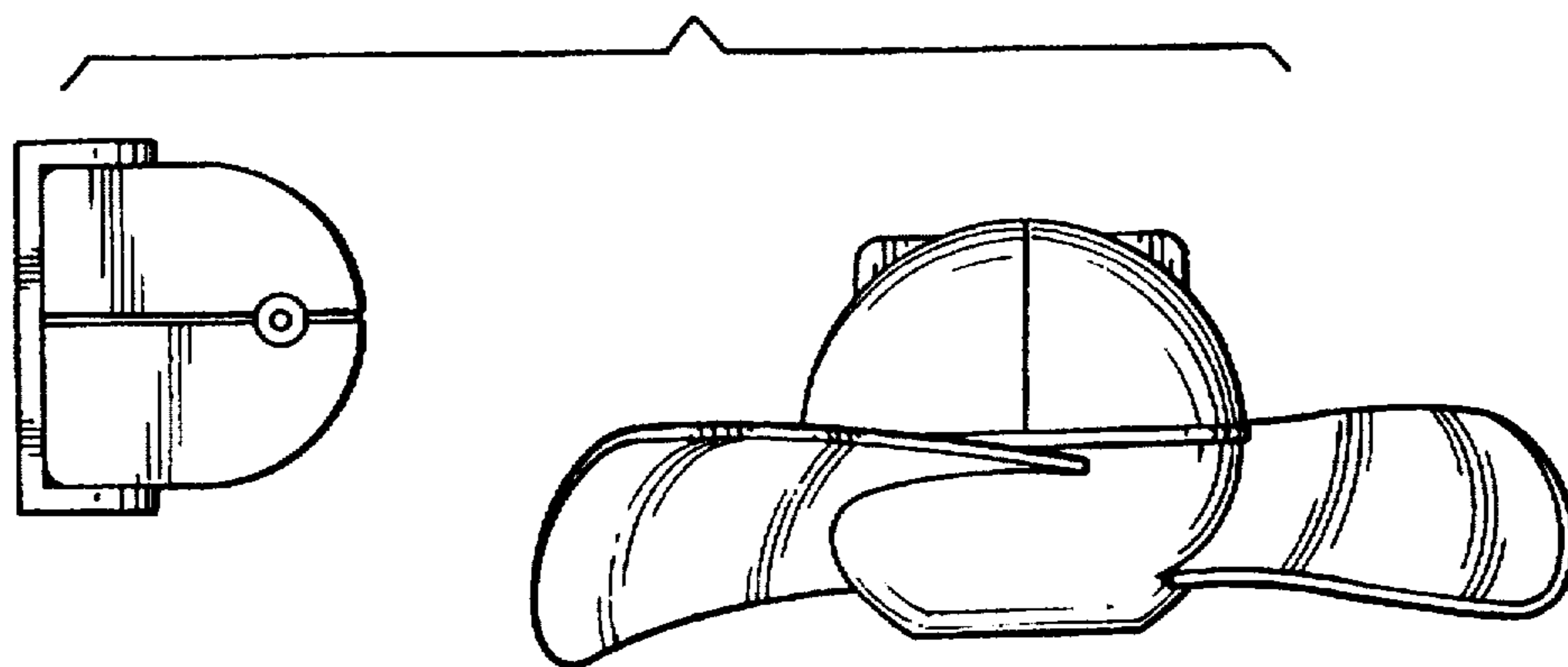


Fig-5

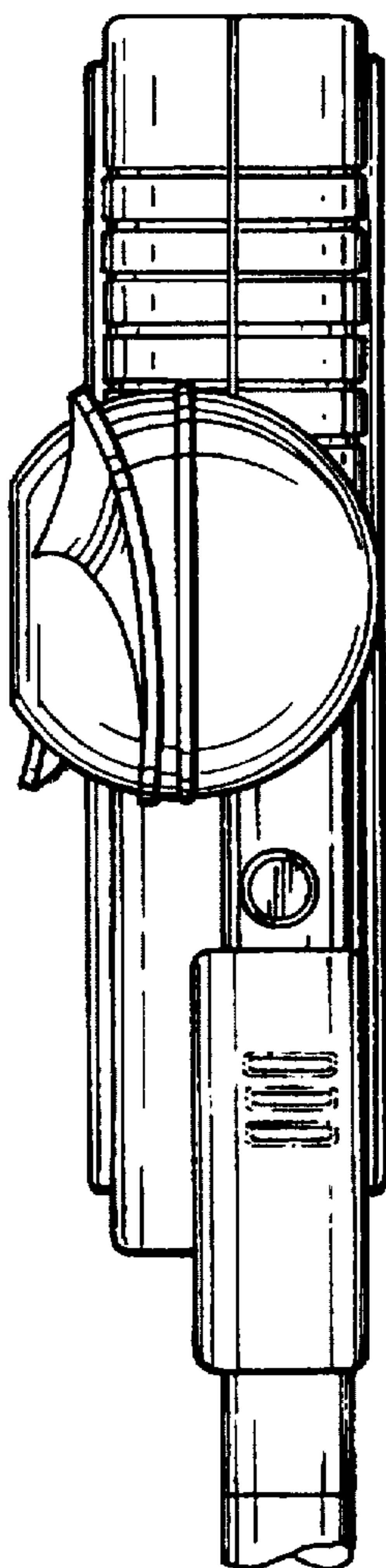


Fig-6



Fig-7