



US00D396103S

United States Patent [19]

[11] Patent Number: **Des. 396,103**

Secunda

[45] Date of Patent: ****Jul. 14, 1998**

[54] **COMBINED DRAGONFLY AND LIGHTING BUG CEILING FAN AND LIGHT**

*Primary Examiner—Lisa Lichtenstein
Attorney, Agent, or Firm—Aileen Champion Addressi*

[76] Inventor: **William Alan Secunda**, 160 Portman Rd., Butler, Pa. 16001

[57] **CLAIM**

[**] Term: **14 Years**

The ornamental design for a combined dragonfly and lighting bug ceiling fan and light, as shown and described.

[21] Appl. No.: **72,994**

DESCRIPTION

[22] Filed: **Jun. 2, 1997**

FIG. 1 is a perspective view of a combined dragonfly and lighting bug ceiling fan and light showing my new design;

[51] **LOC (6) Cl.** **23-04**

FIG. 2 is a front elevational view thereof;

[52] **U.S. Cl.** **D23/377; D23/379; D23/385**

FIG. 3 is a rear elevational view thereof;

[58] **Field of Search** **D23/377, 379,**

FIG. 4 is a right side elevational view thereof;

D23/385, 411; 416/5; 392/364; 362/96; D26/73, 72, 59, 51, 81-86, 88, 80; D21/185

FIG. 5 is a left side elevational view thereof;

FIG. 6 is a top plan view thereof; and,

FIG. 7 is a bottom plan view thereof.

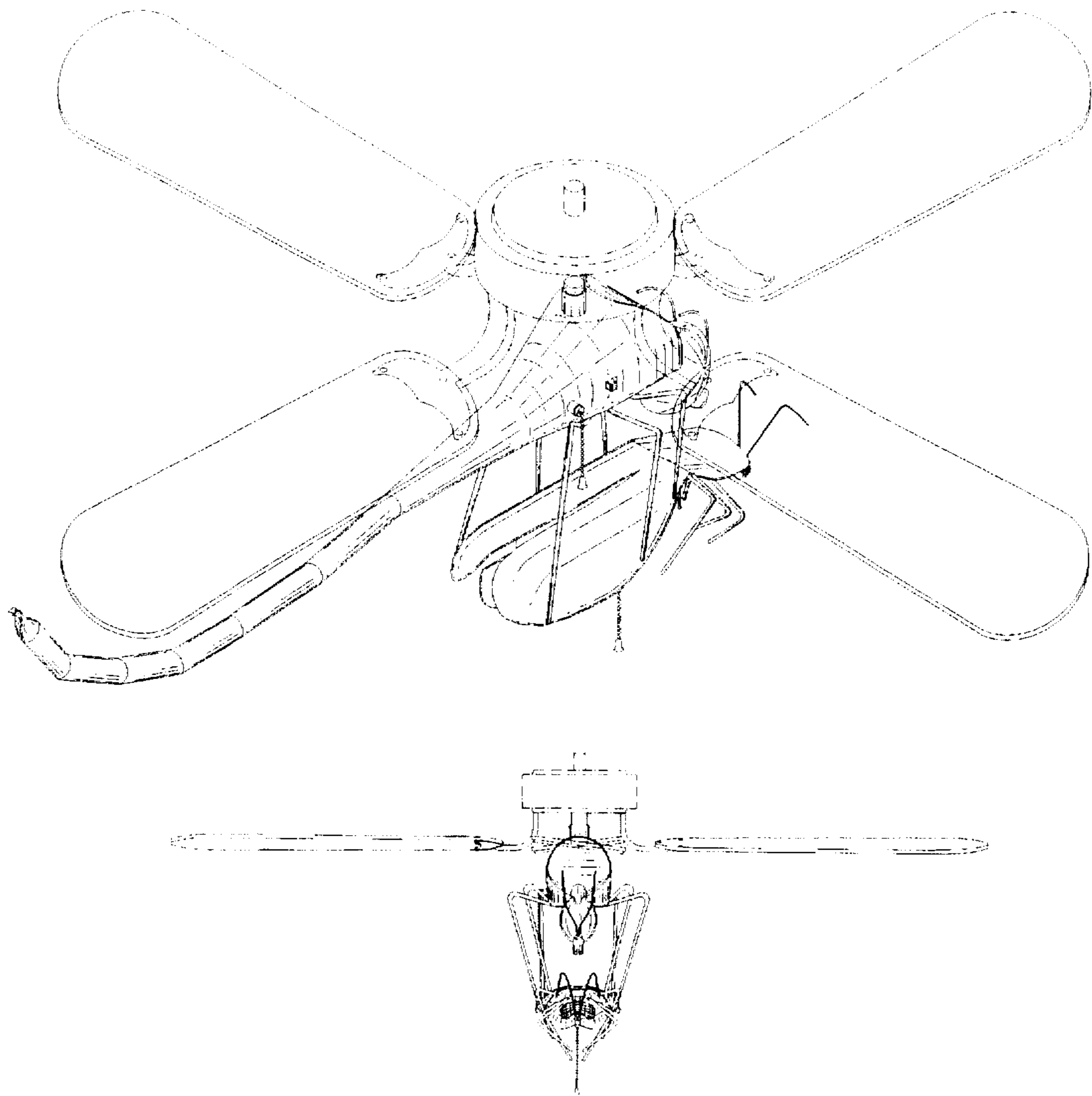
[56] **References Cited**

The broken-line showing of environmental structure in FIGS. 1-7 is for illustrative purposes only and forms no part of the claimed design.

U.S. PATENT DOCUMENTS

D. 145,066	6/1946	Catanzarite et al.	D21/185
D. 325,231	4/1992	Reynolds	D21/185
5,658,129	8/1997	Pearce	D23/377

1 Claim, 5 Drawing Sheets



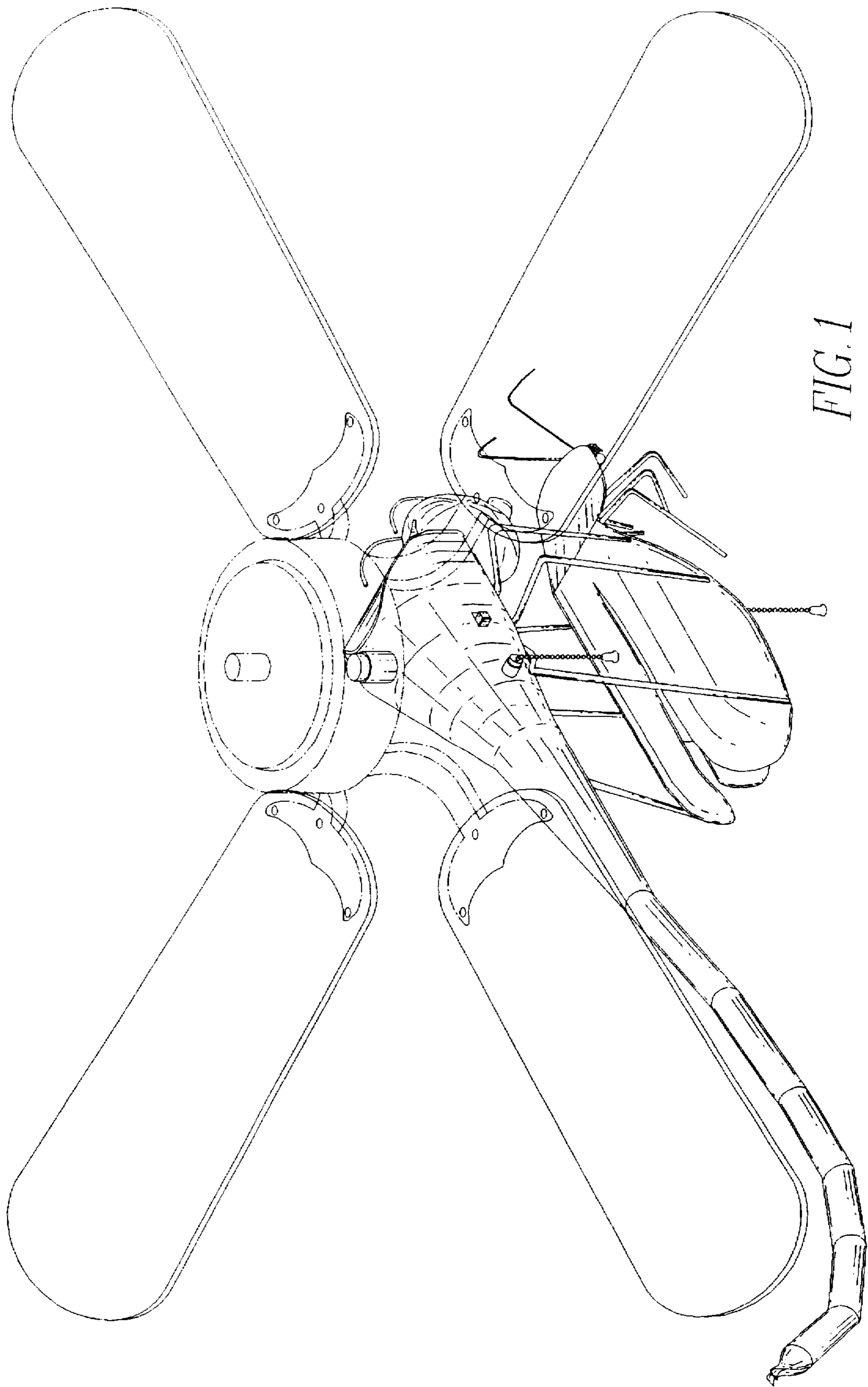


FIG. 1

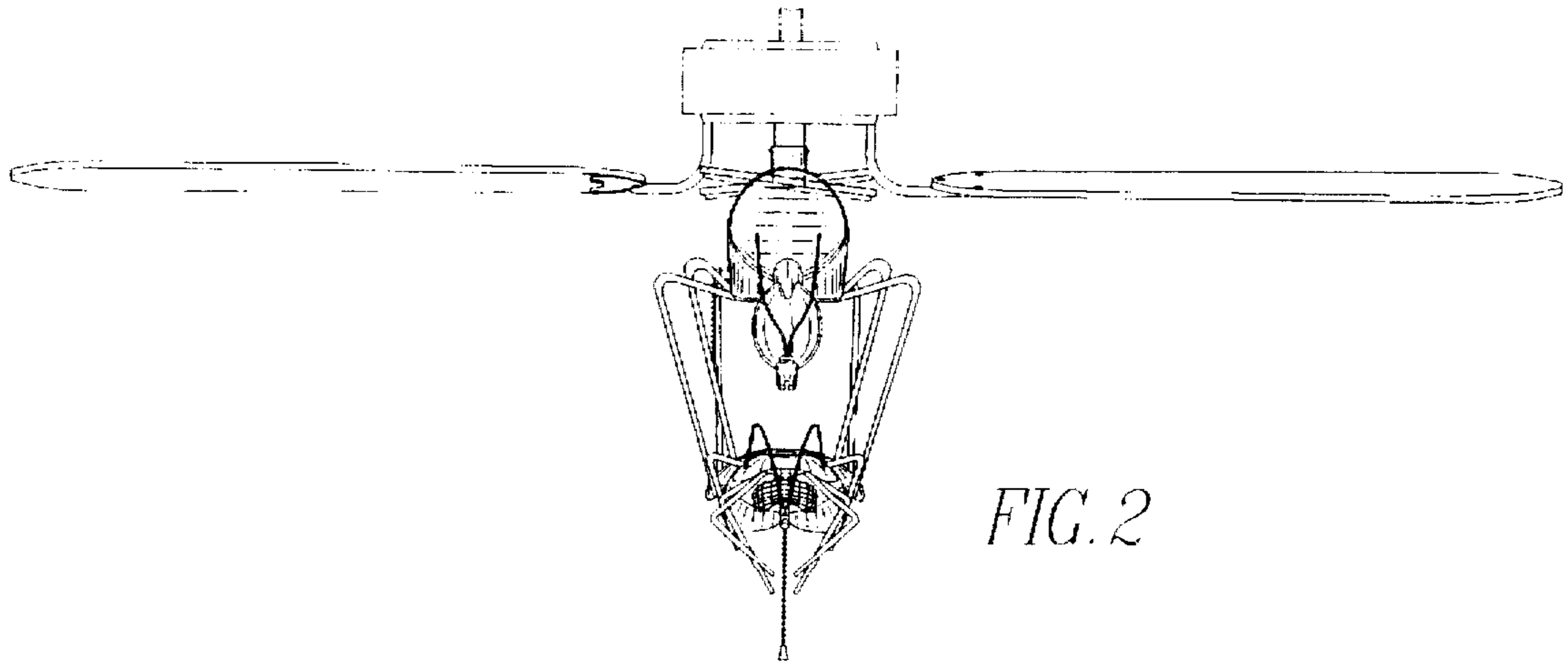


FIG. 2

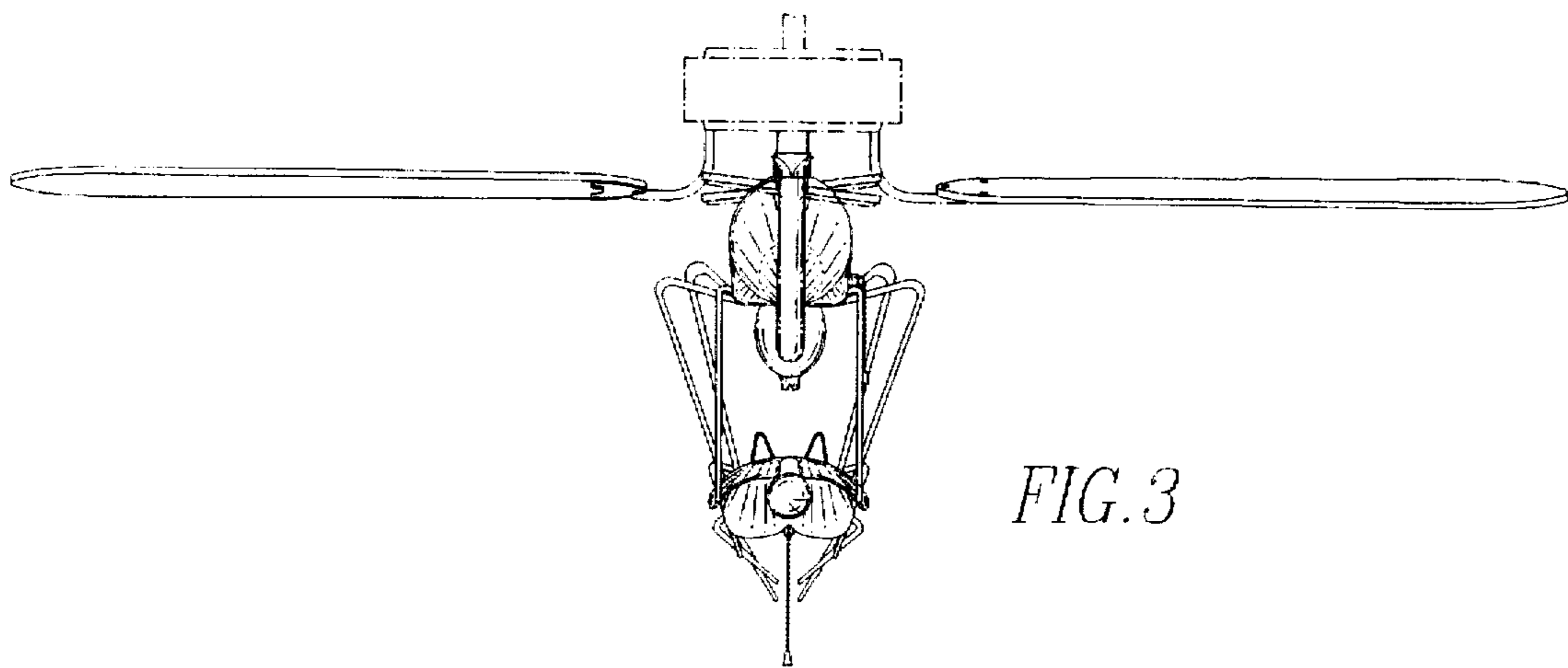
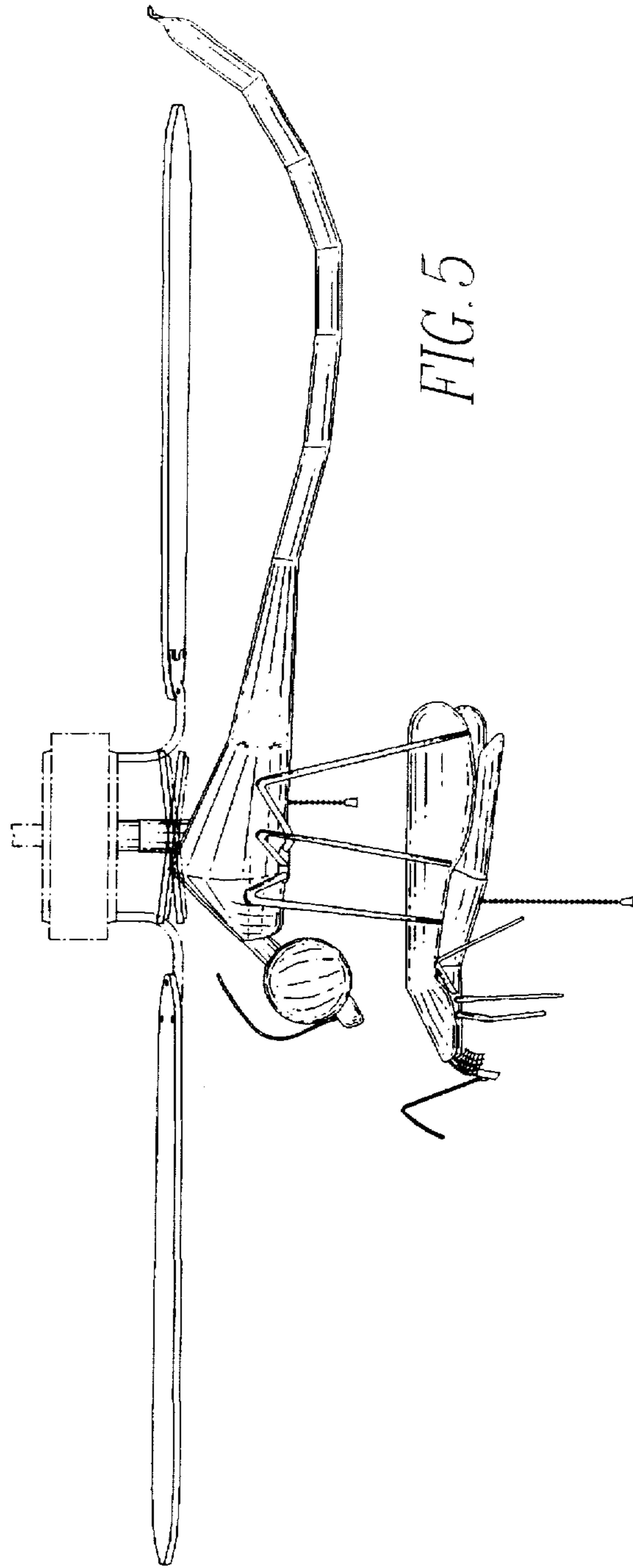
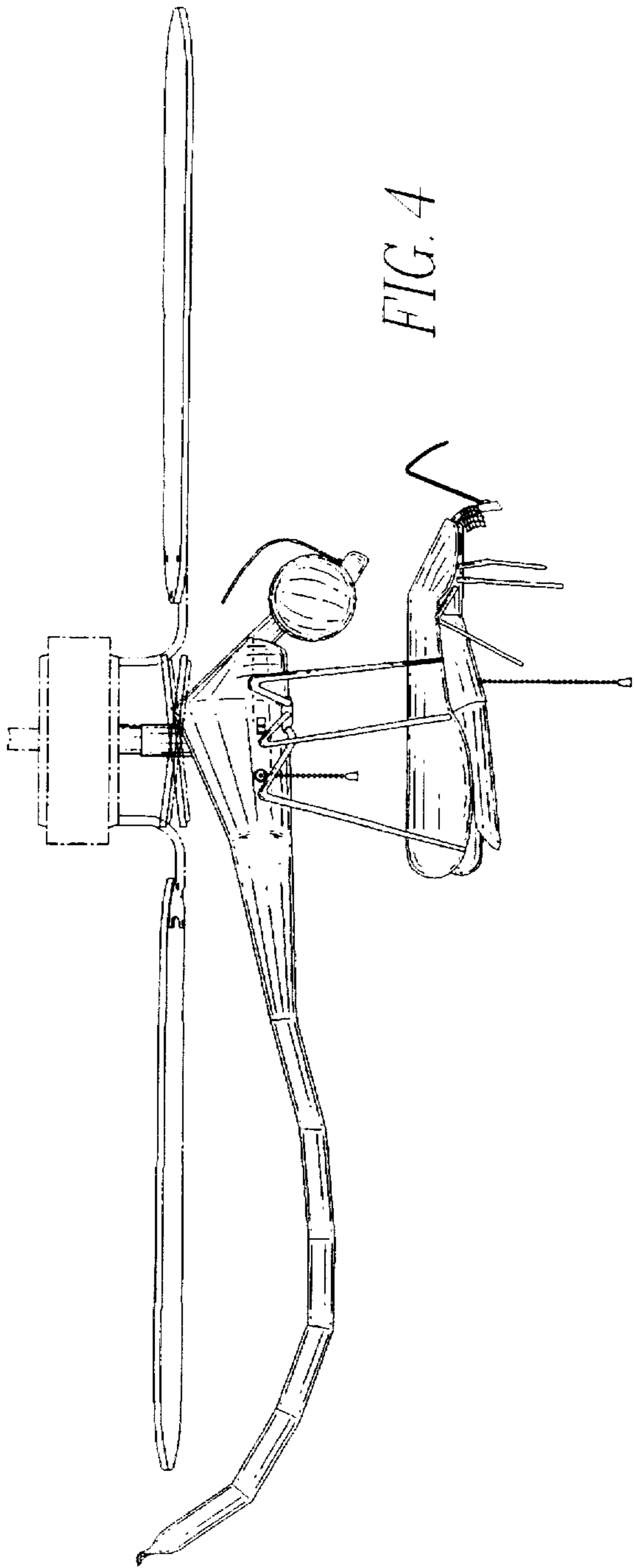


FIG. 3



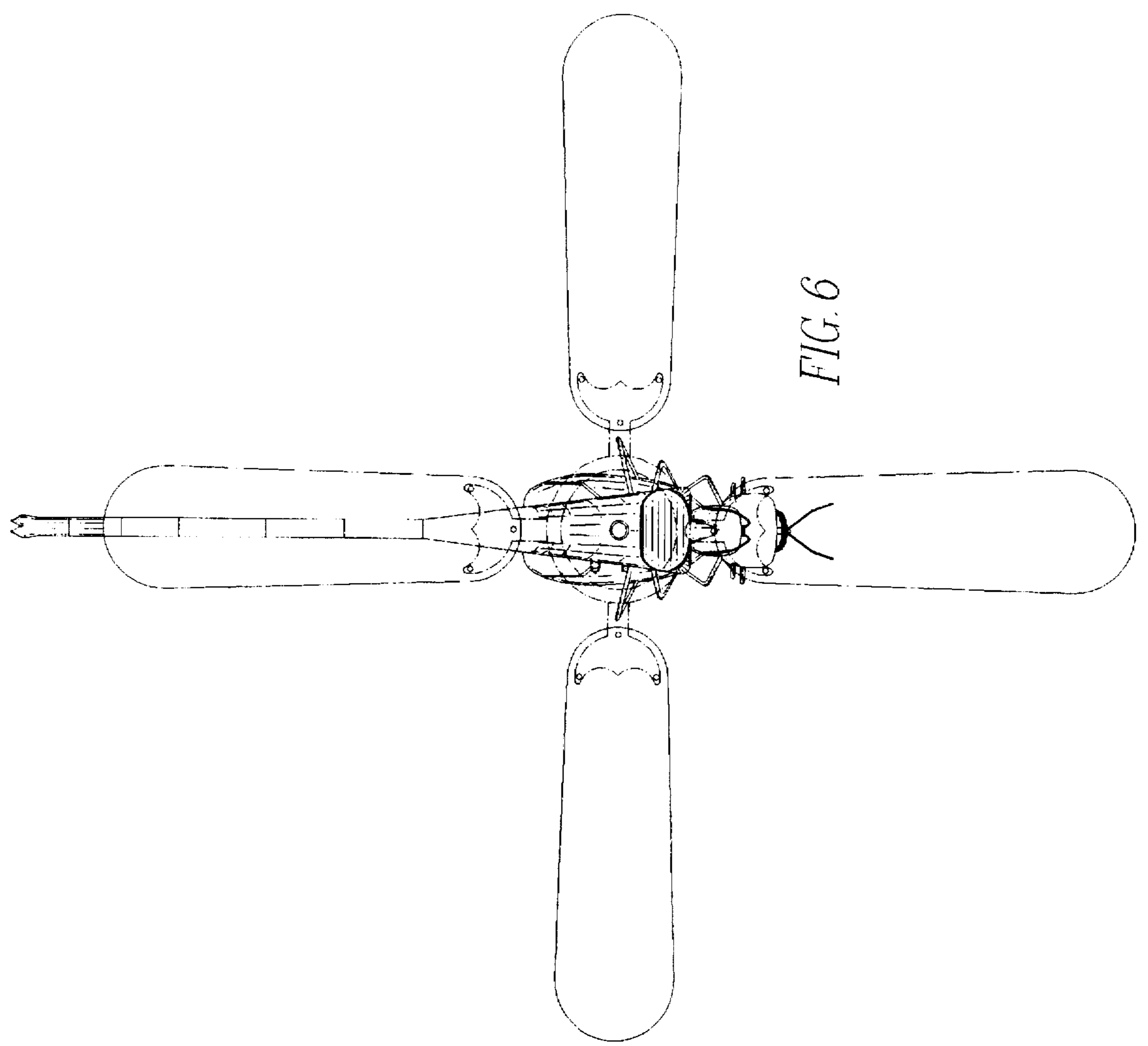


FIG. 6

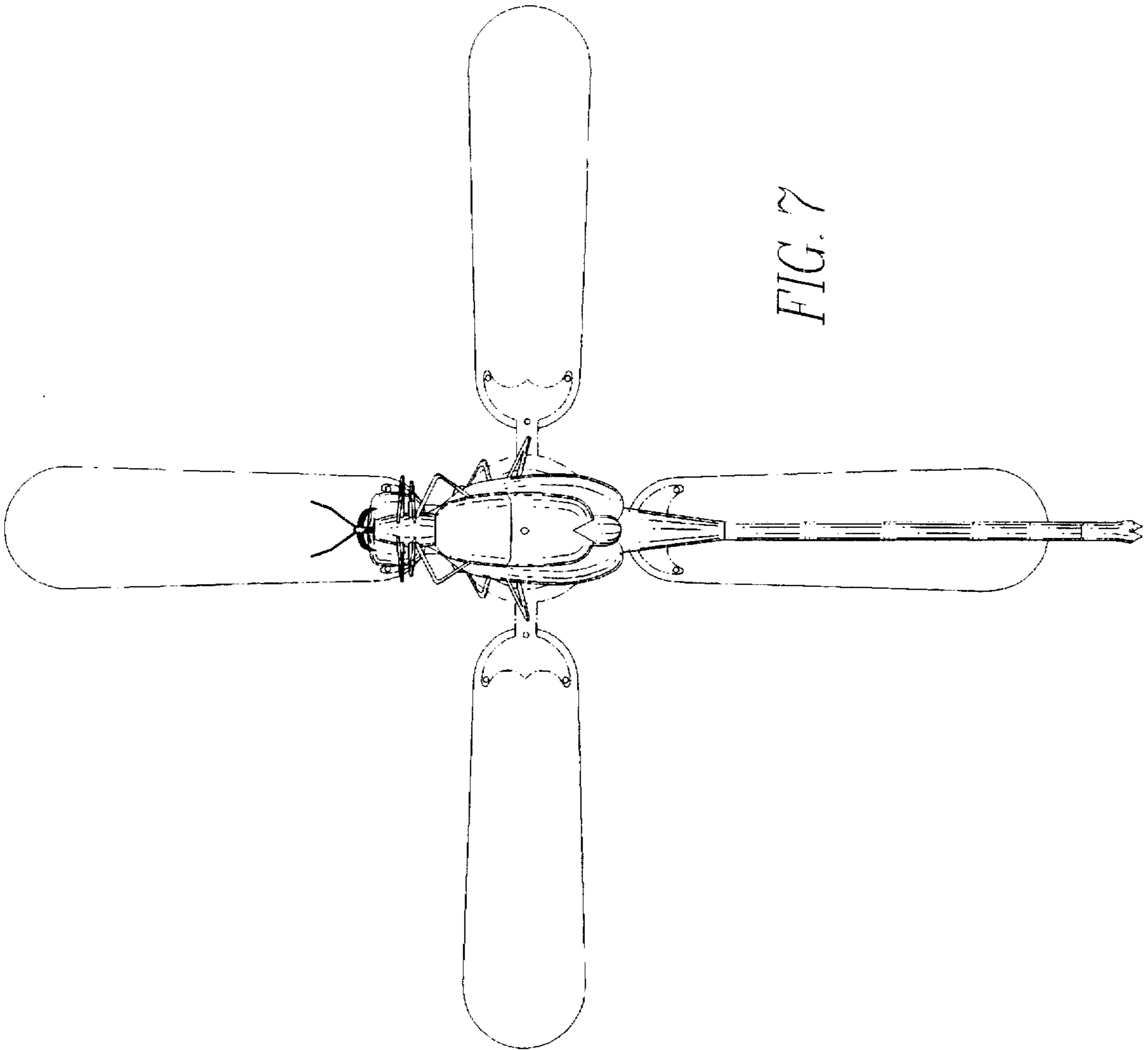


FIG. 7