



US00D396102S

United States Patent [19]

[11] **Patent Number: Des. 396,102**

Pickett

[45] **Date of Patent: **Jul. 14, 1998**

[54] **COMBINED CEILING FAN AND LIGHT FIXTURE**

Primary Examiner—Lisa Lichtenstein
Attorney, Agent, or Firm—Jenkins & Gilchrist, P.C.

[75] **Inventor: Mark Pickett, Rancho Palos Verdes, Calif.**

[57] **CLAIM**

The ornamental design for a combined ceiling fan and light fixture, as shown and described.

[73] **Assignee: Minka Lighting, Inc., Corona, Calif.**

[**] **Term: 14 Years**

DESCRIPTION

[21] **Appl. No.: 62,129**

FIG. 1 is a front perspective view of a combined ceiling fan and light fixture incorporating my ornamental design;

[22] **Filed: Nov. 7, 1996**

FIG. 2 is a rear view of the combined ceiling fan and light fixture of FIG. 1;

[51] **LOC (6) Cl. 23-04**

[52] **U.S. Cl. D23/377; D23/379; D23/385**

FIG. 3 is a side view of one side of the combined ceiling fan and light fixture of FIG. 1;

[58] **Field of Search D23/377, 379,**

D23/385, 411, 413; 416/5; 392/364; 362/96;

D26/81-86, 88, 72, 73, 59, 51

FIG. 4 is a side view of an opposite side of the combined ceiling fan and light fixture of FIG. 1;

[56] **References Cited**

U.S. PATENT DOCUMENTS

5,433,585 7/1995 Yan 416/5

FIG. 5 is a bottom view of the combined ceiling fan and light fixture of FIG. 1, on a reduced scale; and,

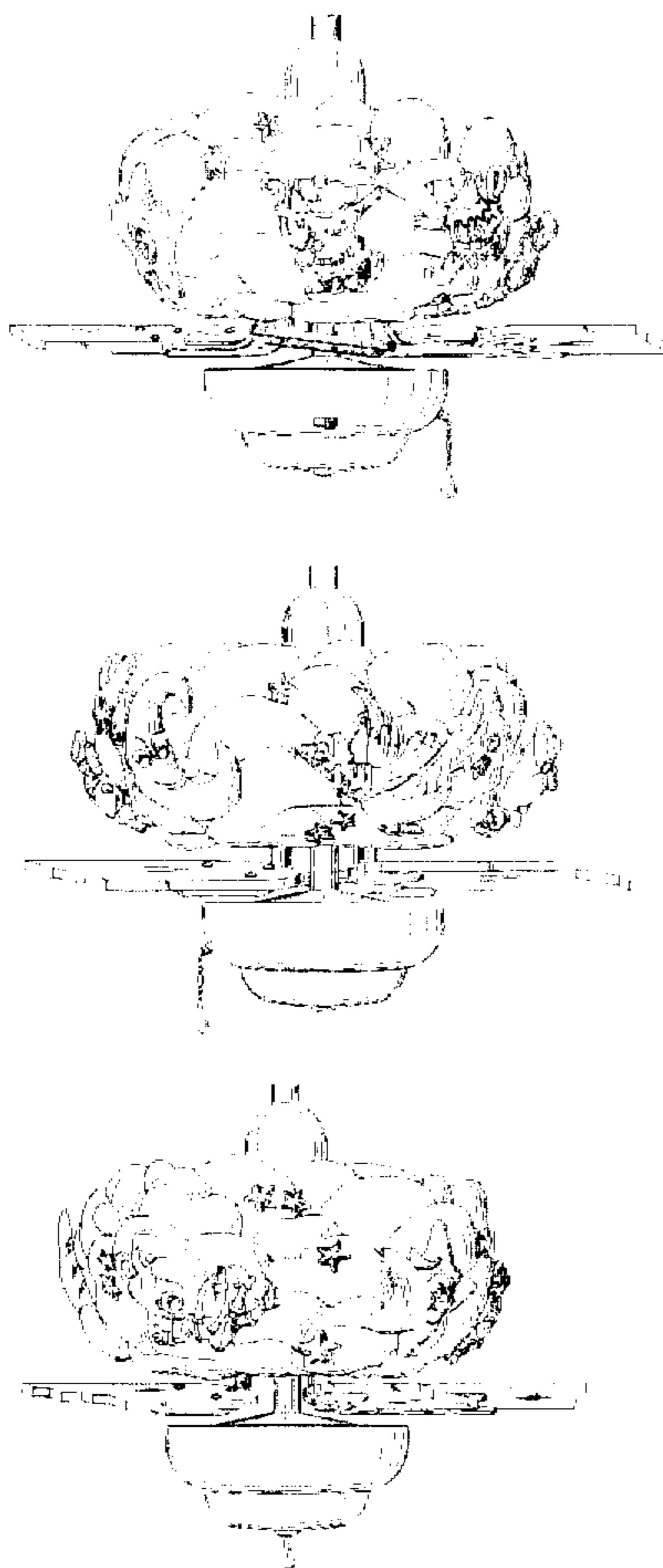
OTHER PUBLICATIONS

Beverly Hills Co. Inc. Adv. Brochure, inside front cover, Ceiling Fan (A), bottom right side of page.
Gift and Tableware Reporter, p. 3, Symbol (B), upper left side of page.

FIG. 6 is a top view of the ceiling fan of FIG. 1, on a reduced scale.

The fan blades have been shown broken-away in FIGS. 1-6 to indicate indeterminate length.

1 Claim, 6 Drawing Sheets



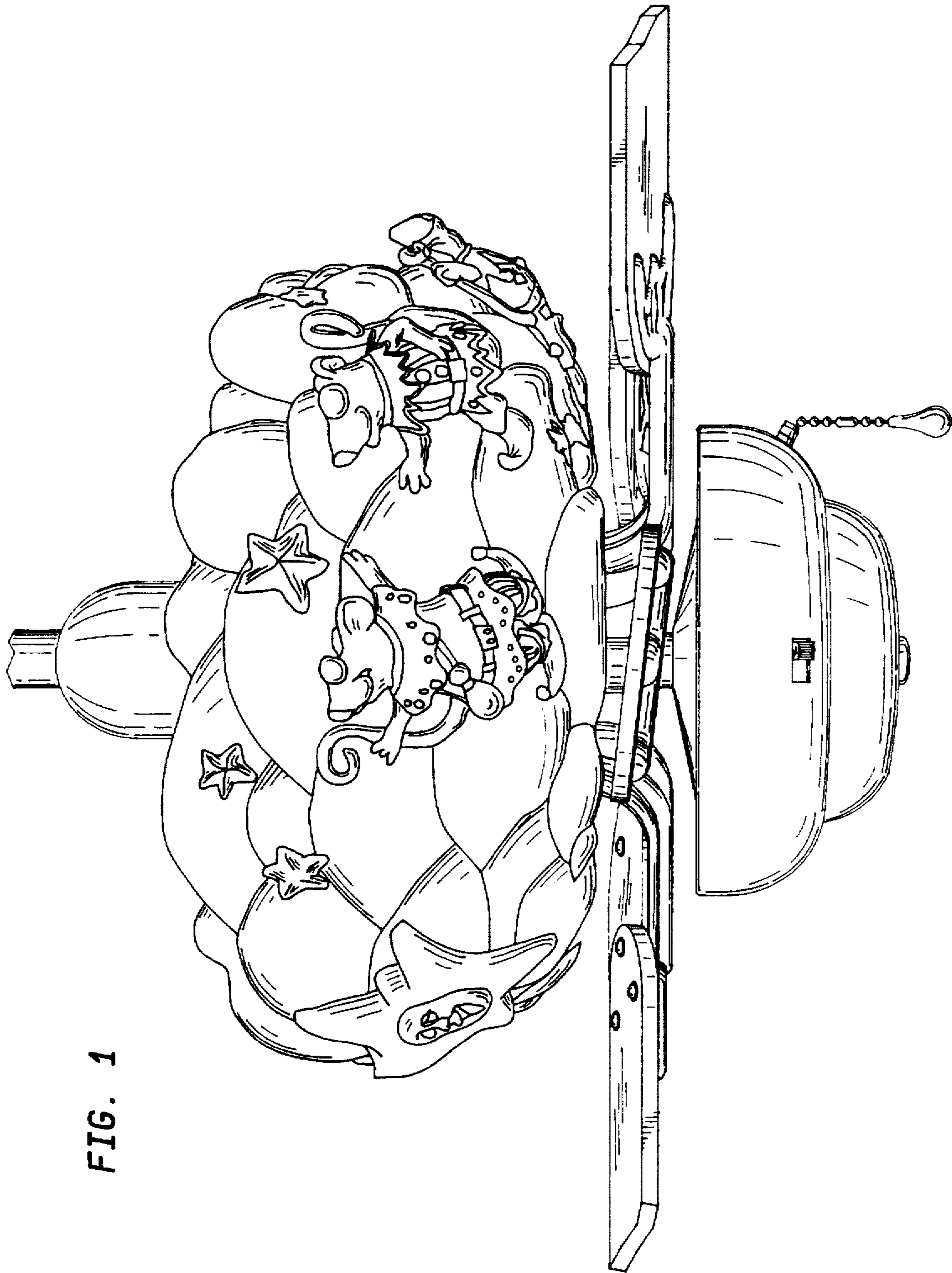


FIG. 1

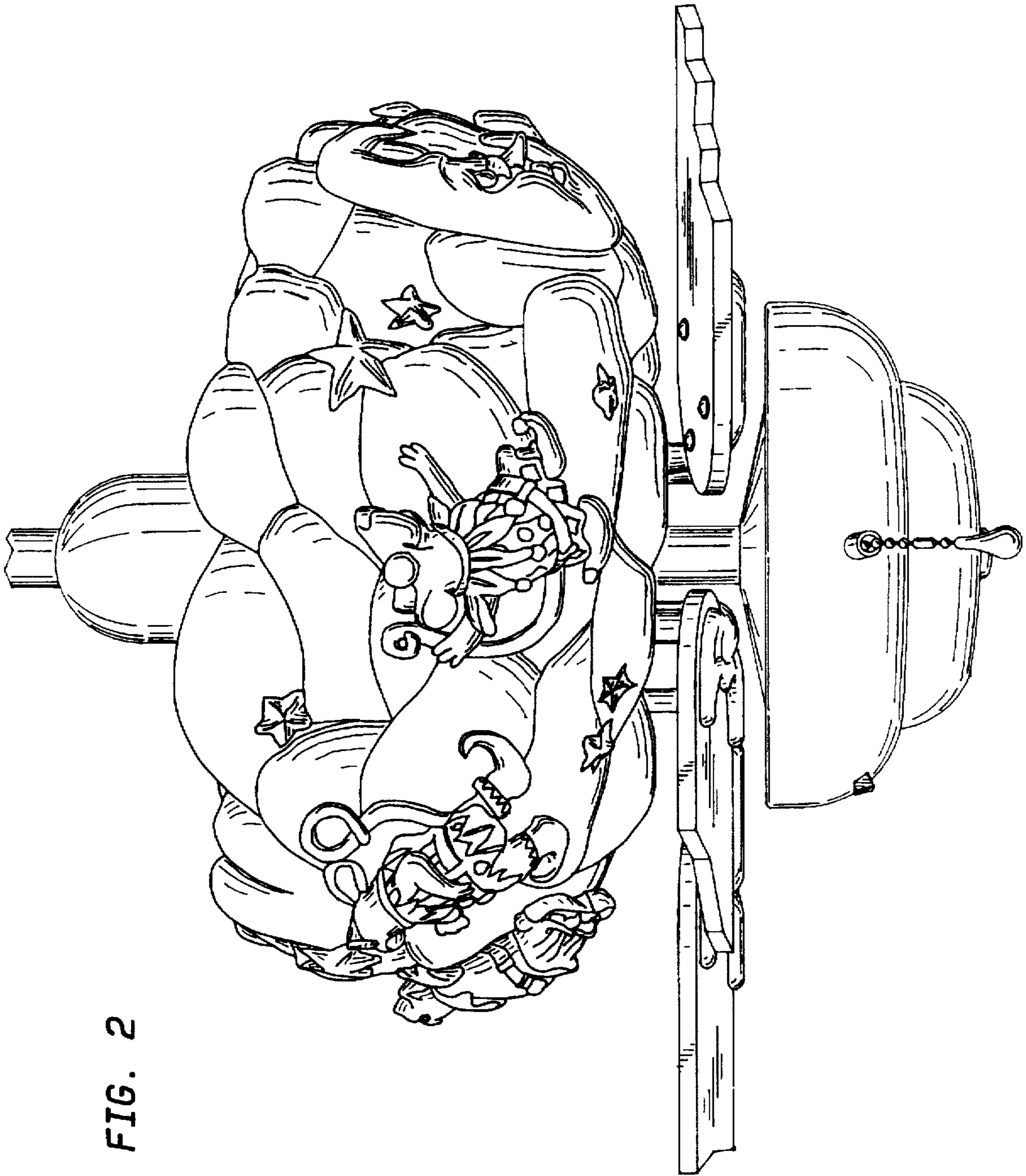


FIG. 2

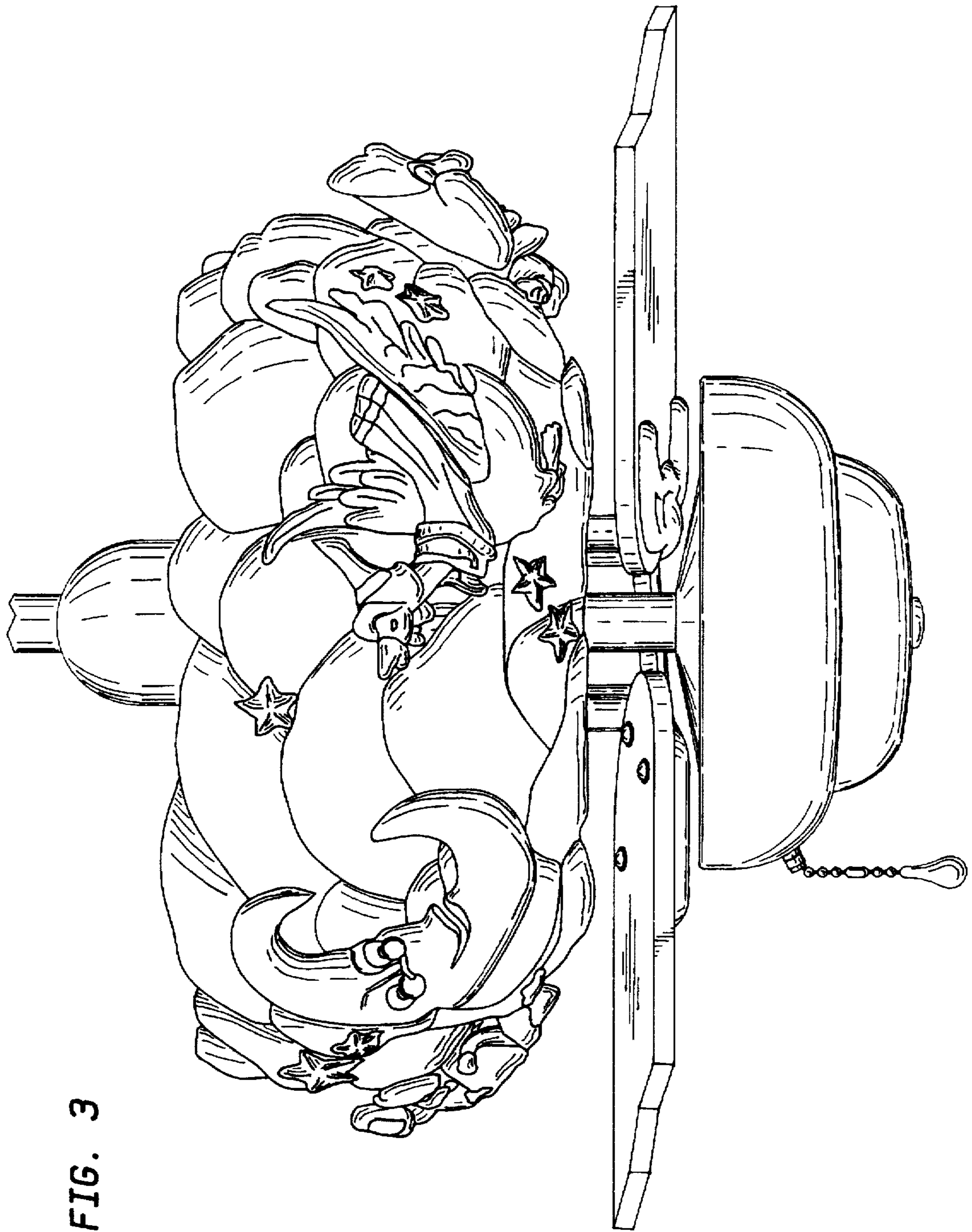


FIG. 3

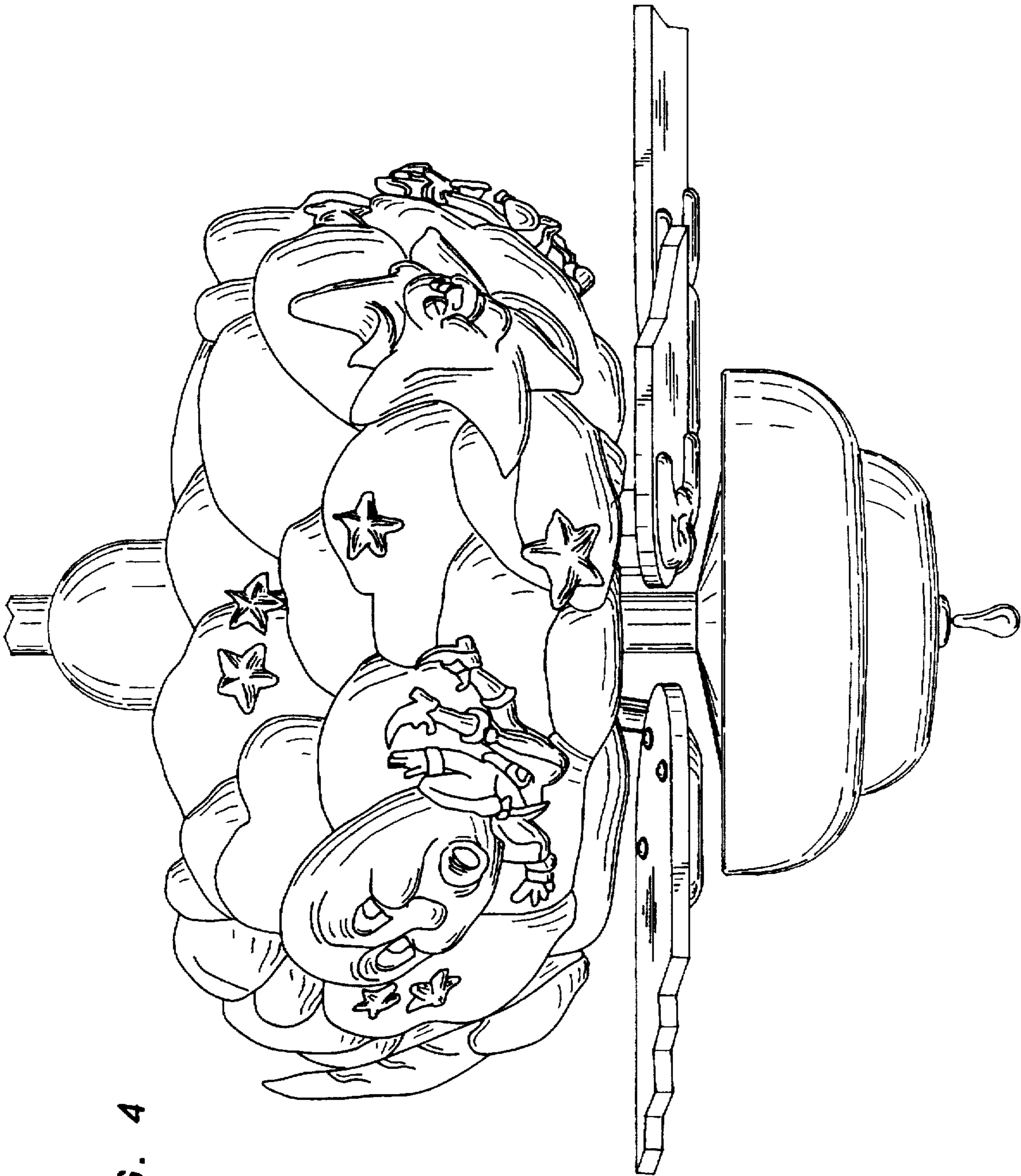


FIG. 4

FIG. 5

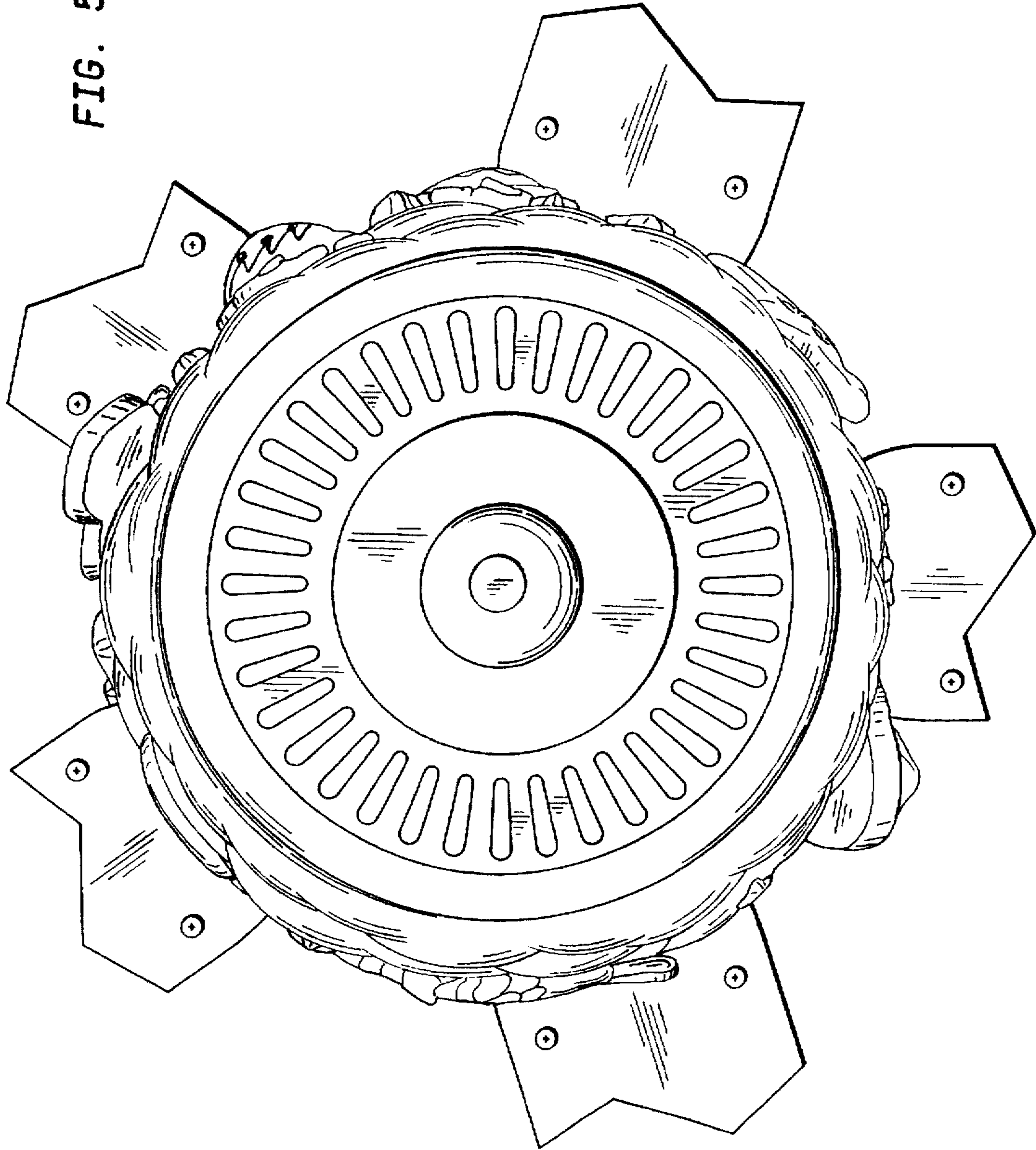


FIG. 6

