



US00D396097S

United States Patent [19]

Thomas et al.

[11] Patent Number: **Des. 396,097**

[45] Date of Patent: ****Jul. 14, 1998**

[54] **AIR PURIFIER**

D. 374,278 10/1996 Ganor D23/364

[75] Inventors: **James Thomas**, Memphis; **Masao Tsuji**, Germantown, both of Tenn.

Primary Examiner—Lisa Lichtenstein
Attorney, Agent, or Firm—Baker, Donelson, Bearman & Caldwell

[73] Assignee: **Hunter Fan Company**, Memphis, Tenn.

[57] CLAIM

[**] Term: **14 Years**

The ornamental design for an air purifier, as shown and described.

[21] Appl. No.: **76,439**

[22] Filed: **Sep. 11, 1997**

DESCRIPTION

Related U.S. Application Data

FIG. 1 is a perspective view of an air purifier showing our new design;

[62] Division of Ser. No. 64,679, Jan. 8, 1997.

FIG. 2 is a right-side view of the air purifier shown in FIG. 1, the left-side view being a mirror image thereof;

[51] LOC (6) Cl. **23-04**

[52] U.S. Cl. **D23/364; D23/365**

FIG. 3 is a front view thereof;

[58] Field of Search **D23/364, 365; 55/356; 422/168**

FIG. 4 is a rear view thereof;

FIG. 5 is a top view thereof; and,

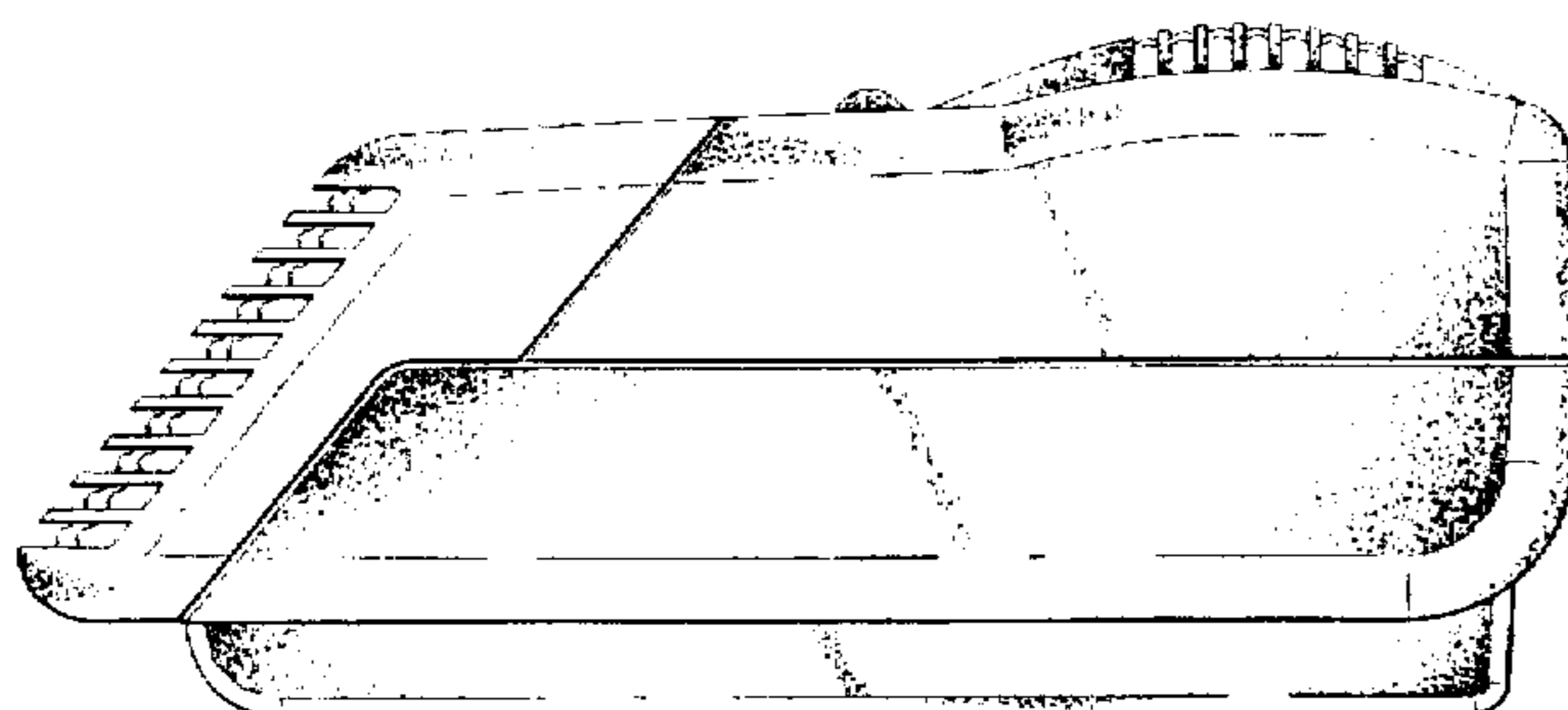
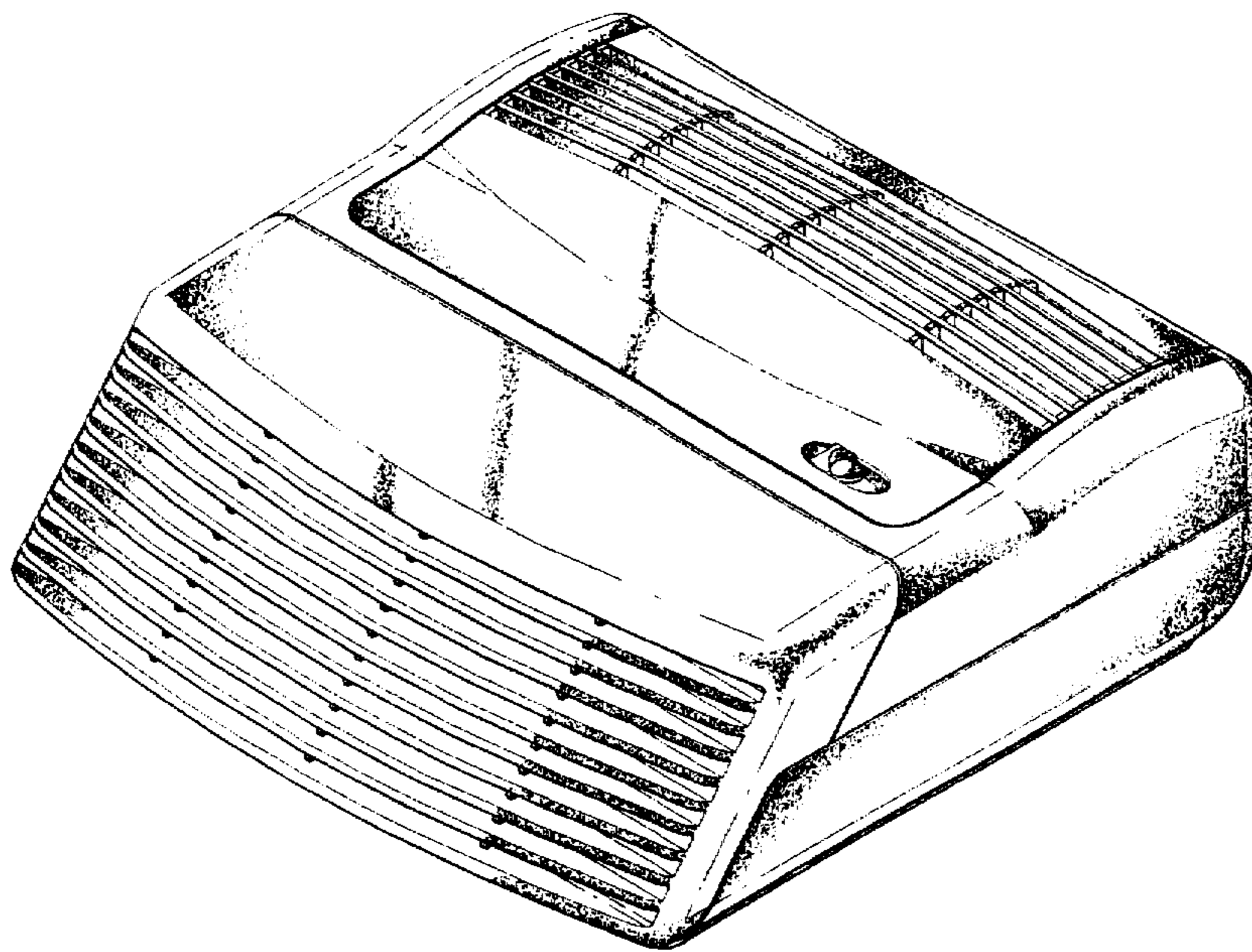
FIG. 6 is a bottom view thereof.

[56] References Cited

U.S. PATENT DOCUMENTS

D. 344,791 3/1994 Cuning D23/364

1 Claim, 6 Drawing Sheets



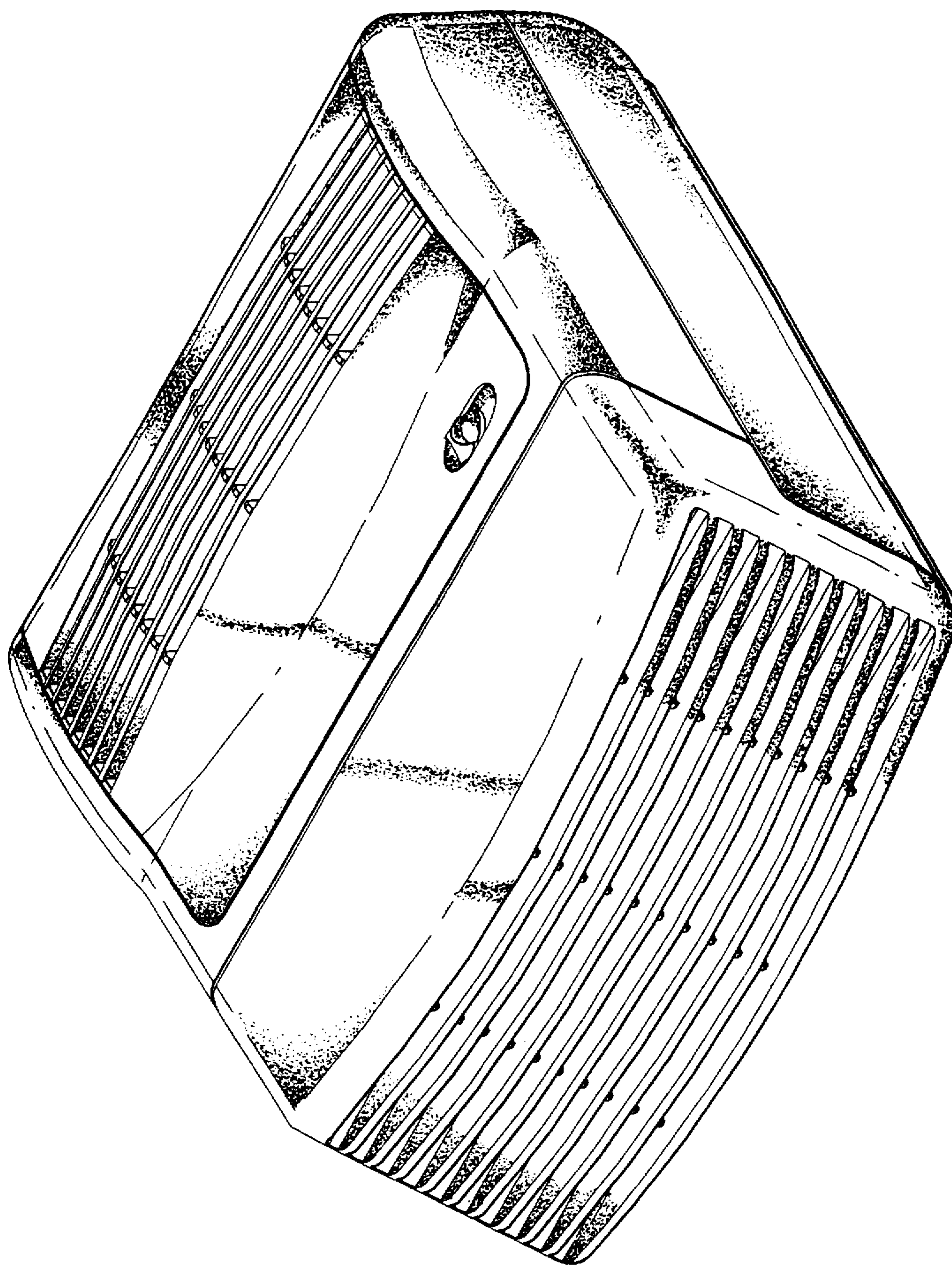


FIG 1

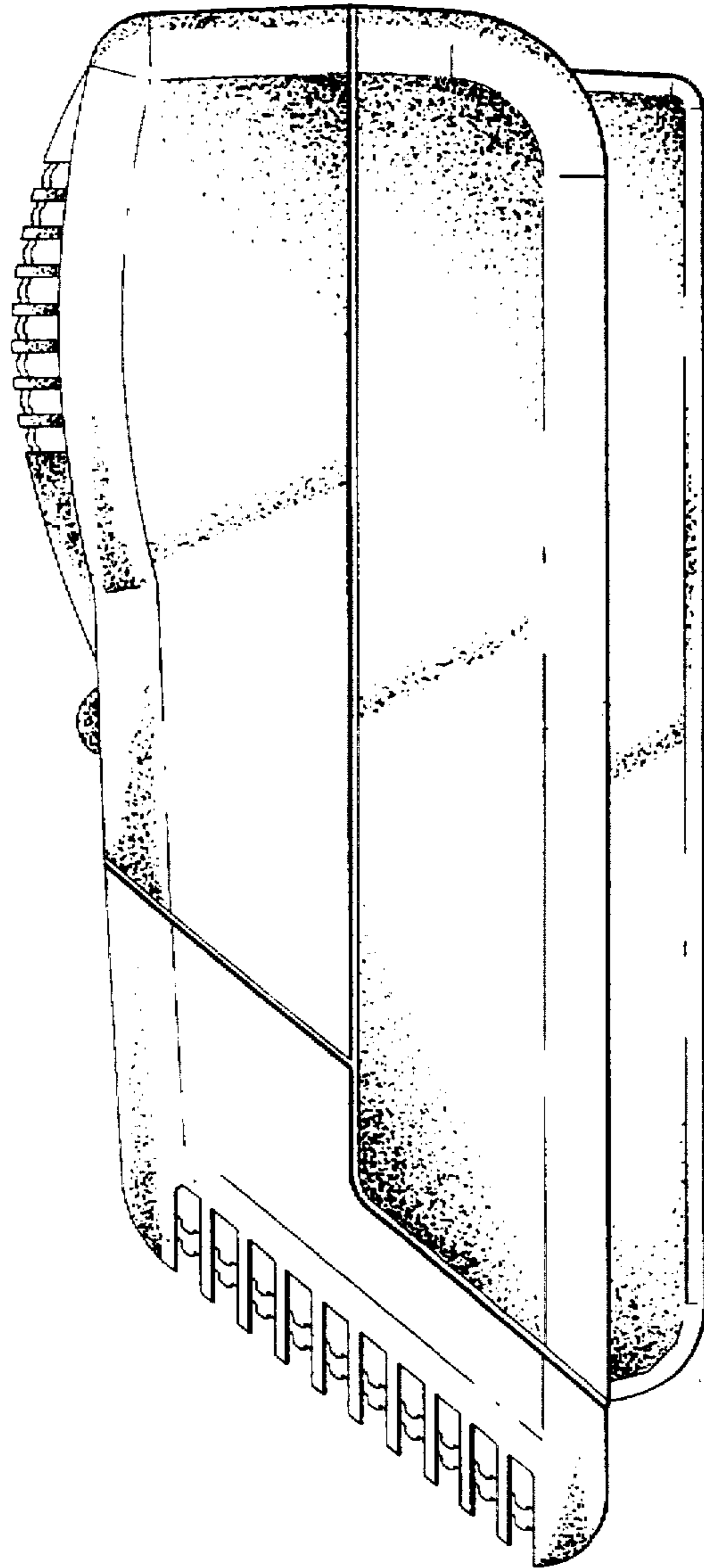


FIG 2

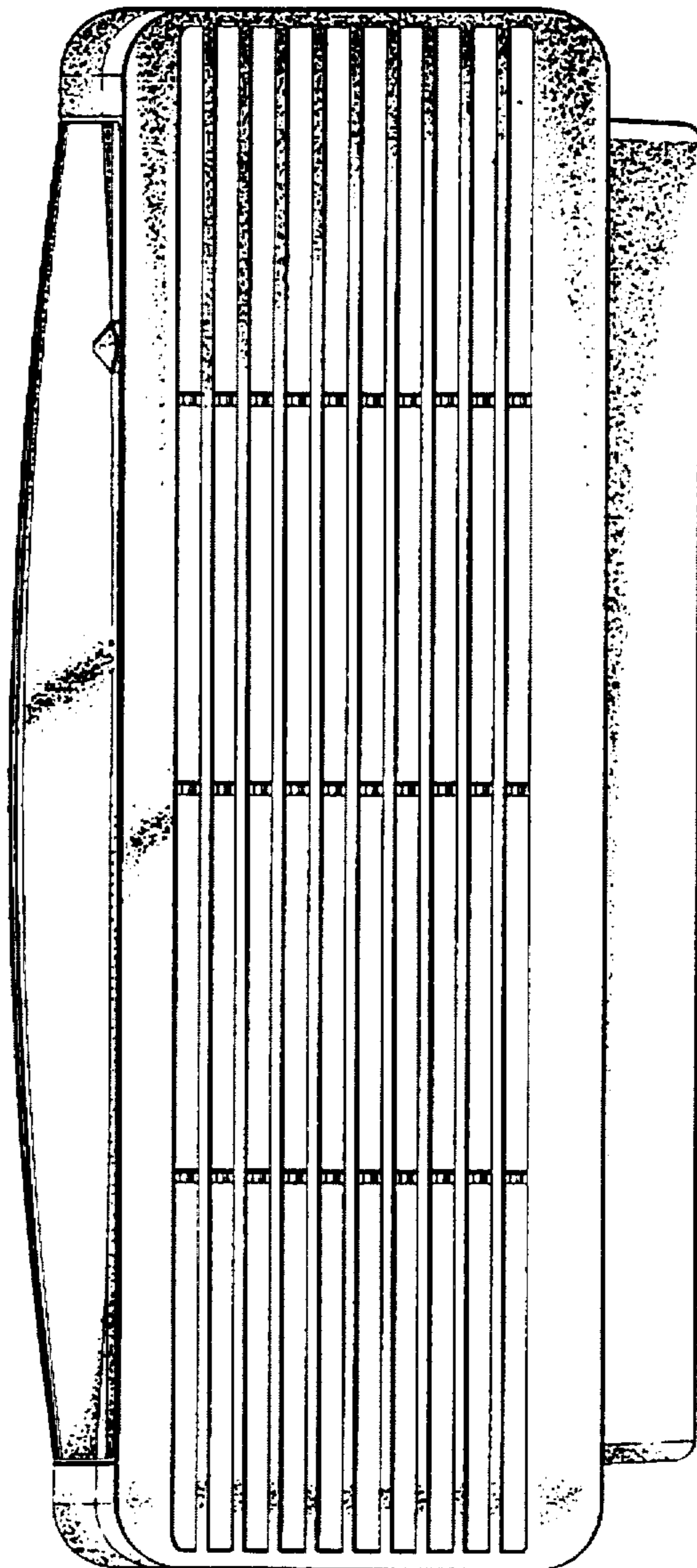


FIG 3

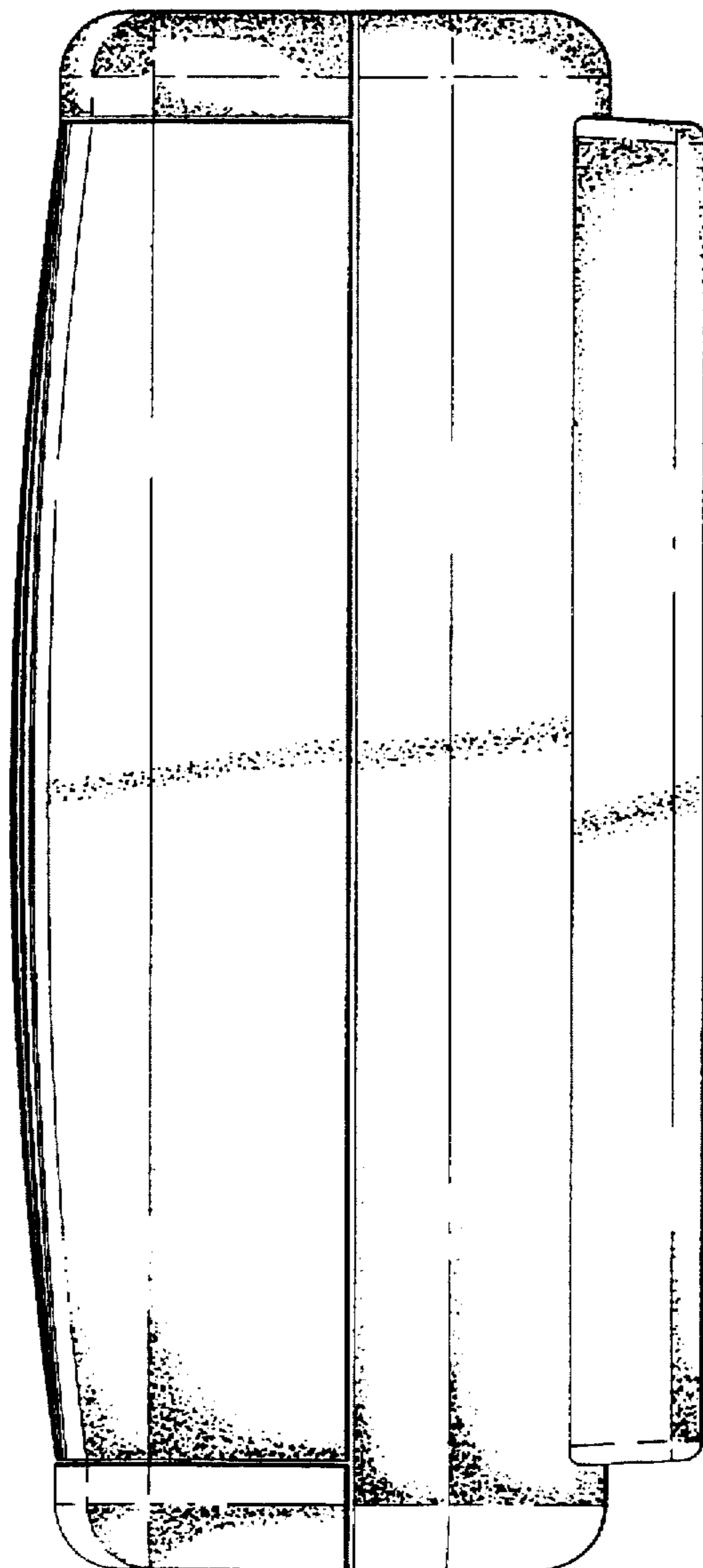


FIG 4

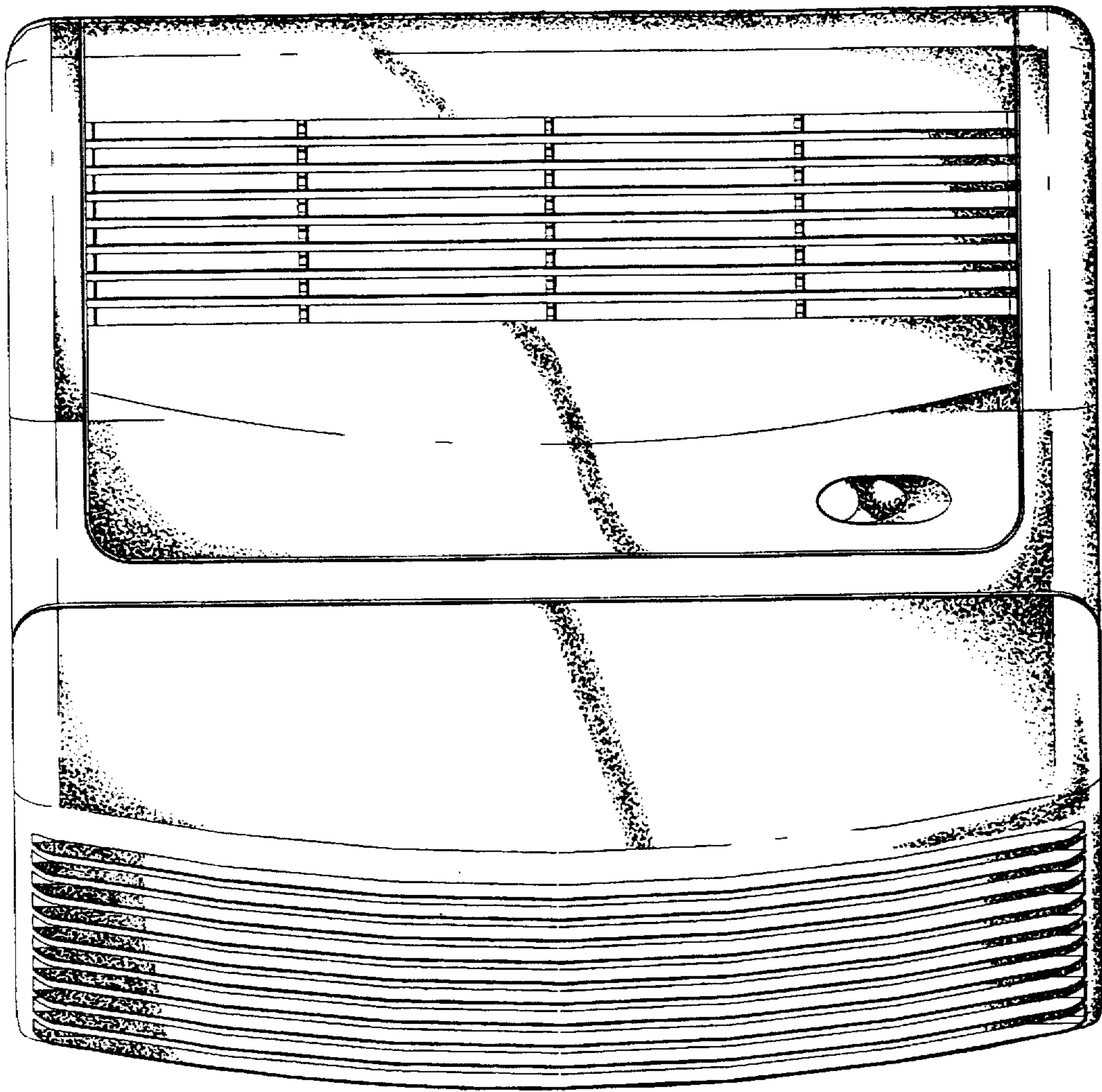


FIG 5

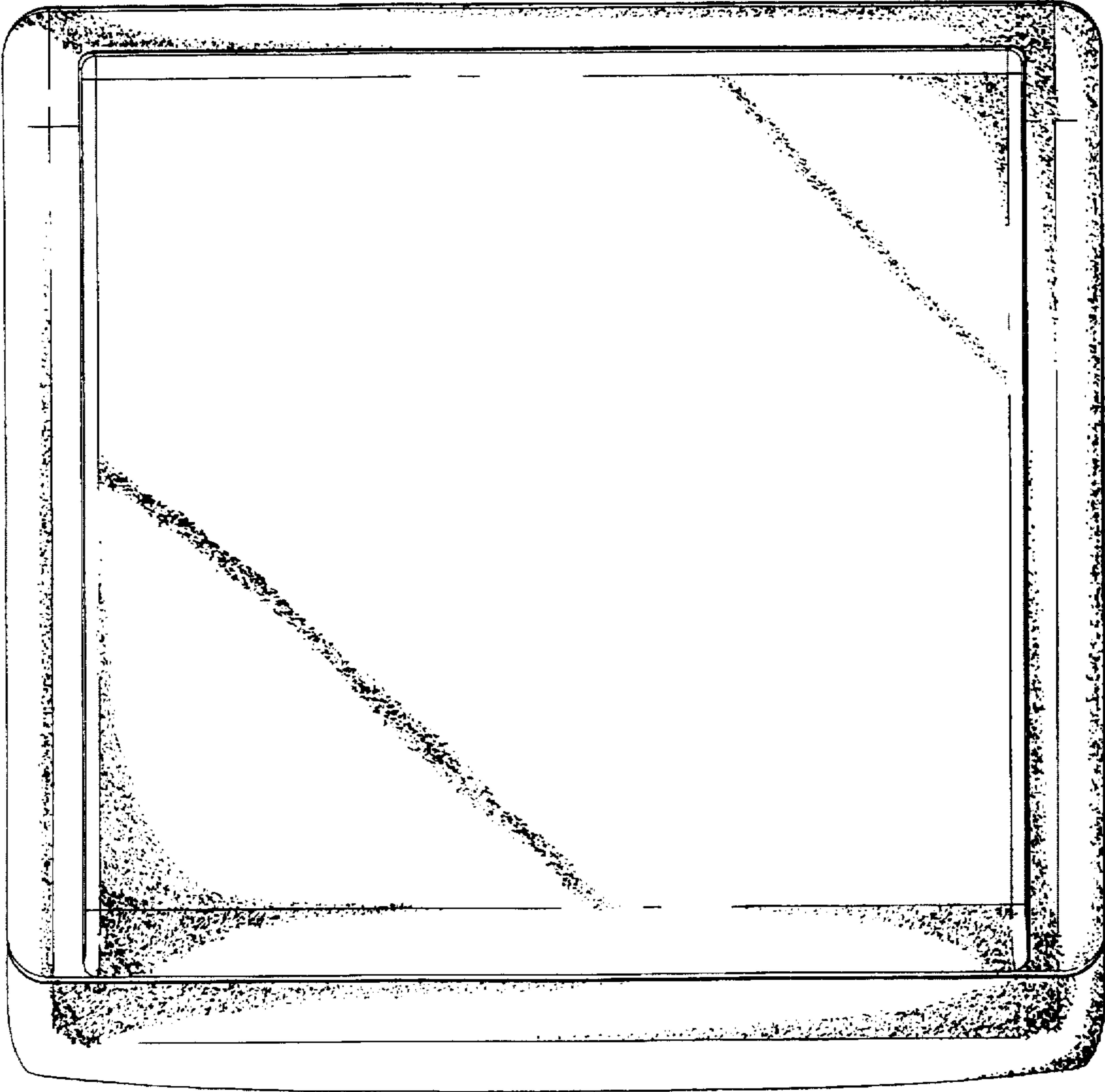


FIG 6