



US00D396096S

United States Patent [19]
Corbitt

[11] **Patent Number: Des. 396,096**

[45] **Date of Patent: **Jul. 14, 1998**

[54] **DIFFUSER STAND**

[75] **Inventor: Cheryl Corbitt, Forth Worth, Tex.**

[73] **Assignee: Humco Holding Group, Inc.,
Texarkana, Tex.**

[**] **Term: 14 Years**

[21] **Appl. No.: 64,372**

[22] **Filed: Dec. 30, 1996**

[51] **LOC (6) Cl. 23-04**

[52] **U.S. Cl. D23/363; D23/360; D23/366;
D26/23**

[58] **Field of Search D23/356-363,
D23/366-369; 261/DIG. 65; 248/176.1,
177.1, 146; D26/9, 20, 23, 138, 140**

[56] **References Cited**

U.S. PATENT DOCUMENTS

D. 171,255 1/1954 Holbrook D23/363

D. 383,864 9/1997 Billings D23/367
3,279,118 10/1966 Allen 239/57
3,948,445 4/1976 Andeweg 239/53
4,889,286 12/1989 Spector 239/57

*Primary Examiner—Lisa Lichtenstein
Attorney, Agent, or Firm—Biebel & French*

[57] **CLAIM**

The ornamental design for a diffuser stand, as shown and described.

DESCRIPTION

FIG. 1 is a perspective view of a diffuser stand illustrating the present invention;

FIG. 2 is a front elevational view thereof, the side opposite being a mirror image;

FIG. 3 is a right side elevational view thereof, the side opposite being a mirror image;

FIG. 4 is a top plan view thereof; and,

FIG. 5 is a bottom plan view thereof.

1 Claim, 3 Drawing Sheets

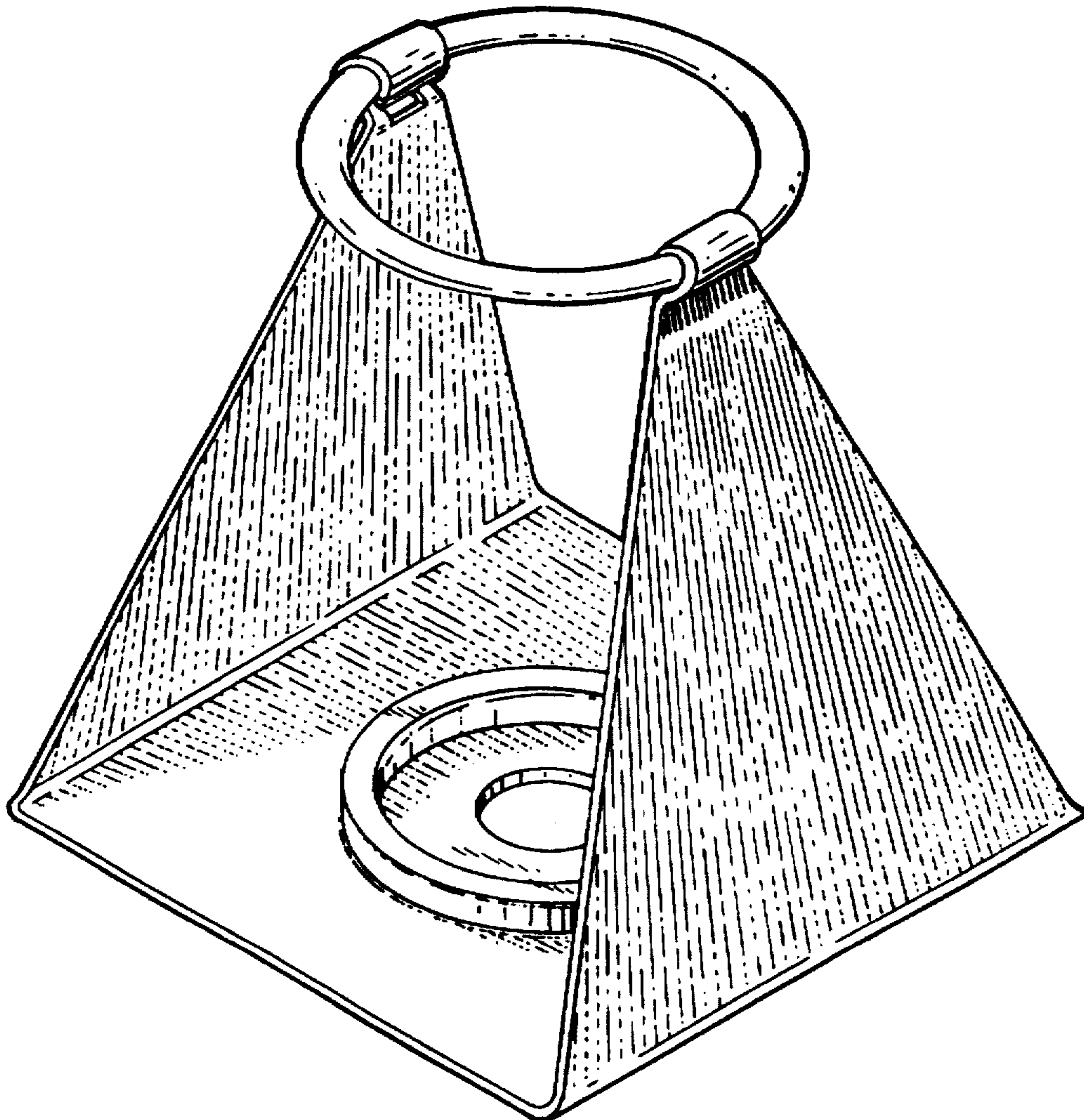


FIG - 1

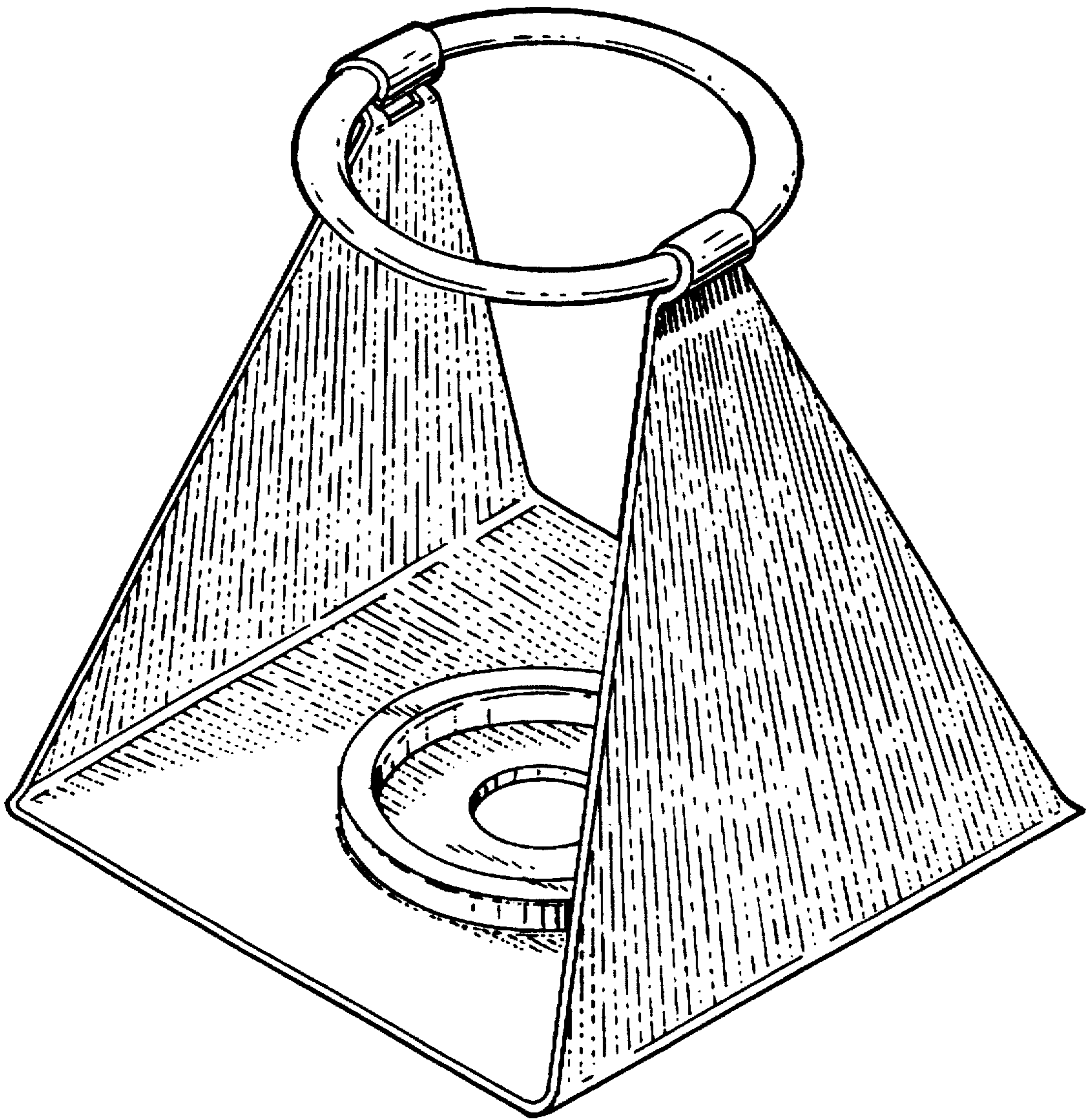


FIG - 2

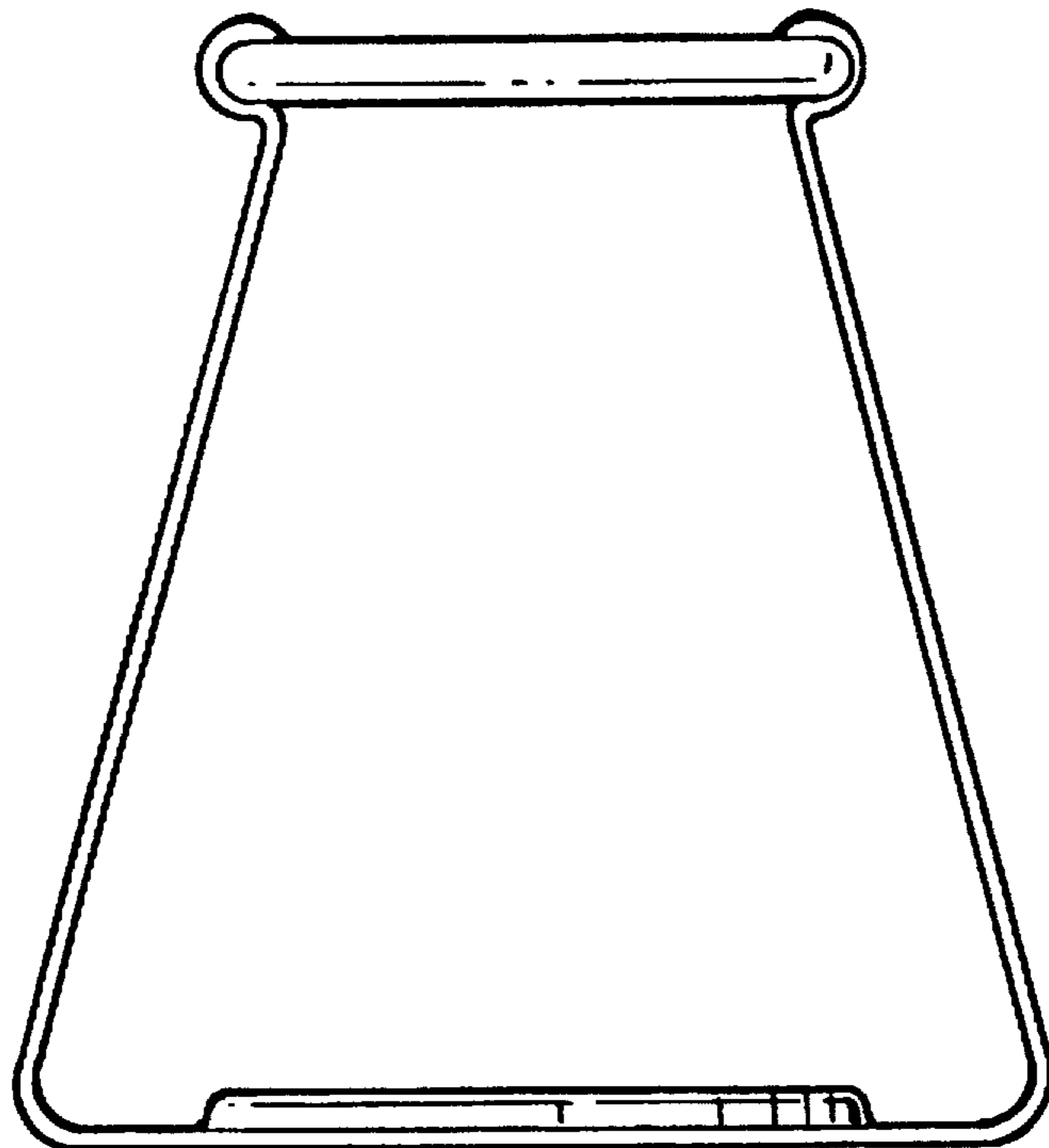


FIG - 3

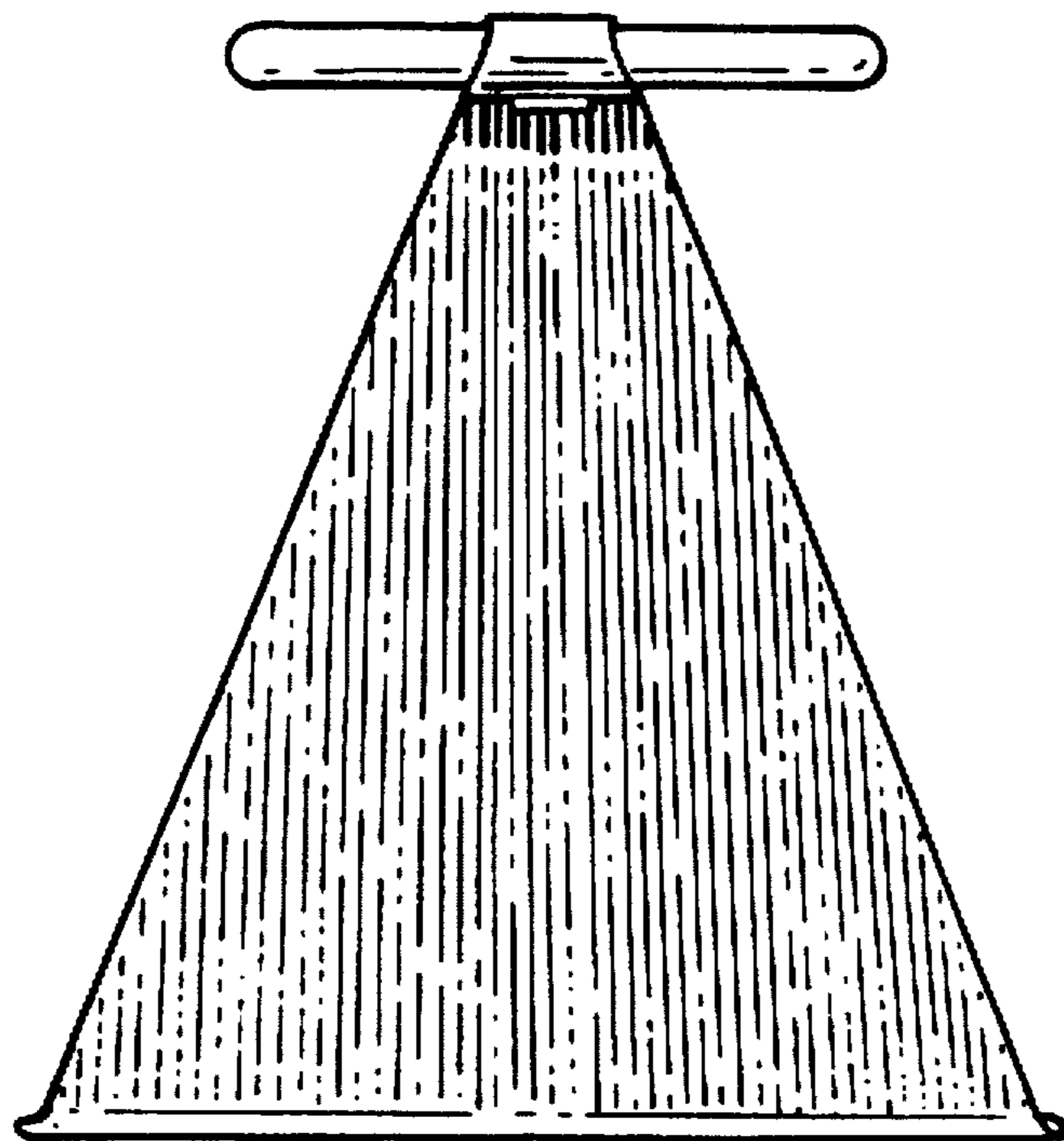


FIG -4

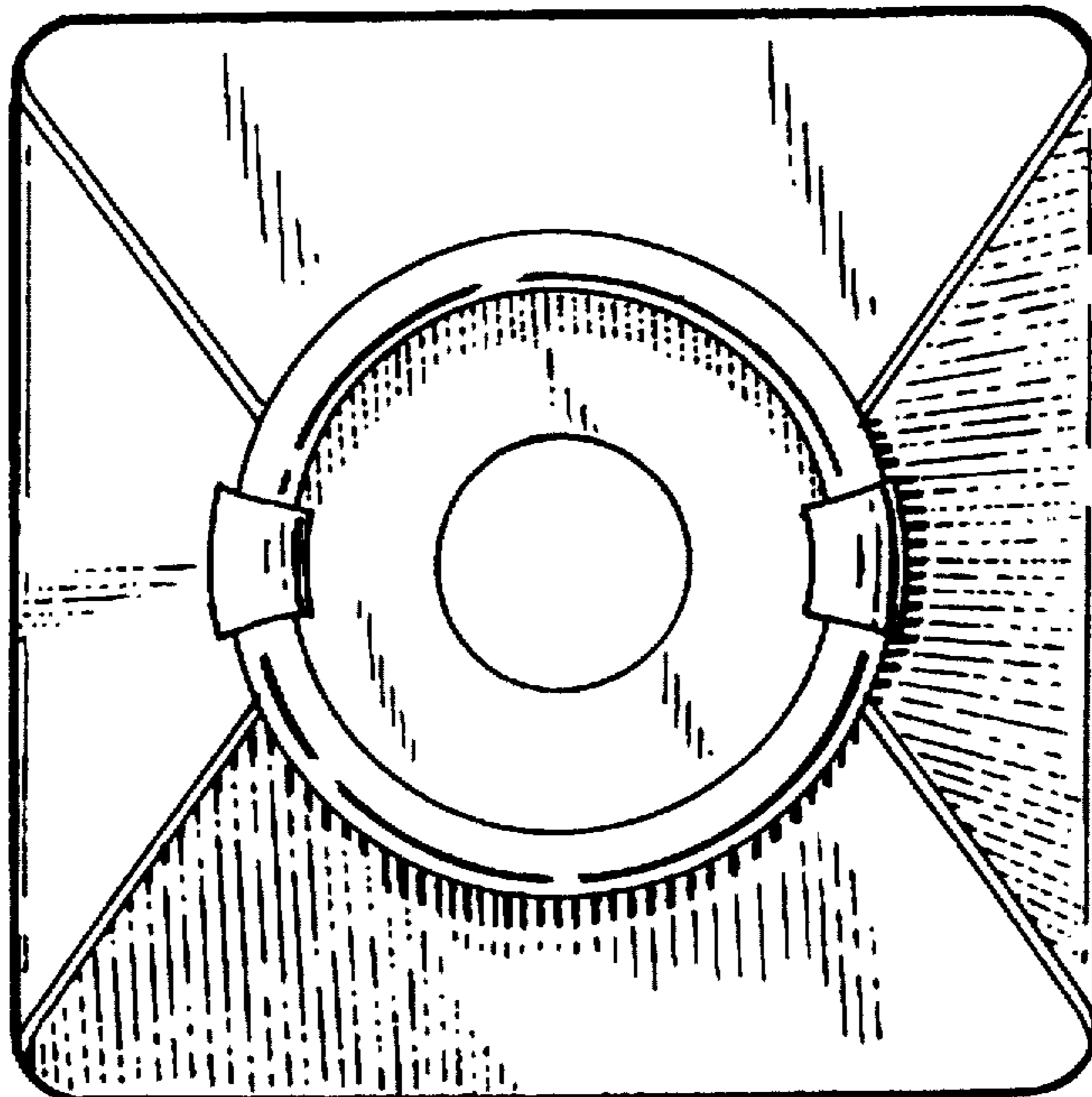


FIG -5

