



US00D396091S

**United States Patent** [19]  
**Jomha**

[11] **Patent Number: Des. 396,091**  
[45] **Date of Patent: \*\*Jul. 14, 1998**

- [54] **FLAP VALVE ACTUATOR FOR A TOILET TANK**
- [76] **Inventor: Mohamed Ahmed Jomha, 15355 - 116 Avenue, Edmonton, Alberta, Canada, T5M 3Z5**
- [\*\*] **Term: 14 Years**
- [21] **Appl. No.: 43,624**
- [22] **Filed: Sep. 8, 1995**
- [51] **LOC (6) Cl. .... 23-01**
- [52] **U.S. Cl. .... D23/258**
- [58] **Field of Search ..... D23/236, 258; 4/324, 391, 405, 415, 378, 392**

[56] **References Cited**

**U.S. PATENT DOCUMENTS**

D. 48,373	1/1916	Gray .....	D23/258
D. 256,608	8/1980	Makhobey .....	D23/258
D. 301,057	5/1989	Lazowski et al. ....	D23/249
D. 360,932	8/1995	Walter et al. ....	D23/258
4,032,997	7/1977	Phripp et al. ....	4/415
4,216,555	8/1980	Detjen .....	4/325
4,224,703	9/1980	Makhobey .....	4/324
4,651,359	3/1987	Battle .....	4/324
4,748,699	6/1988	Stevens .....	4/324
4,937,895	7/1990	Stevens .....	4/324
4,945,578	8/1990	Jomha et al. ....	4/391
5,040,247	8/1991	Stevens .....	4/324
5,086,524	2/1992	Stevens .....	4/415
5,088,133	2/1992	Chen .....	4/378 X

**FOREIGN PATENT DOCUMENTS**

2070064	11/1993	Canada .	
514864	11/1939	United Kingdom .....	4/378

**OTHER PUBLICATIONS**

Brochure—"Ultra Water Savers", undated, published earlier than Sep. 7, 1994 (2 pages).  
 Brochure—"Conserv-a-Flush, a Real Water Saving System for Toilets", undated, published earlier than Sep. 7, 1994 (2 pages).

Brochure—"Stop Flushing money down the toilet—Mini Flush Toilet Water Saver", dated 1991 (2 pages).  
 Brochure—"Water Conservation Product. The Mini Flush System", dated Jan./Feb., 1991 (1 page).  
 Brochure—"Eco Flush 'The Water Saving System'", undated, published earlier than Sep. 7, 1994 (2 pages).  
 Brochure—"WRC 'Parts Descriptions'" by Water Reduction Corporation, undated, published about Jul. 1, 1992 (1 page).

(List continued on next page.)

*Primary Examiner*—Ted Shooman  
*Assistant Examiner*—C. Tuttle  
*Attorney, Agent, or Firm*—Rodman & Rodman

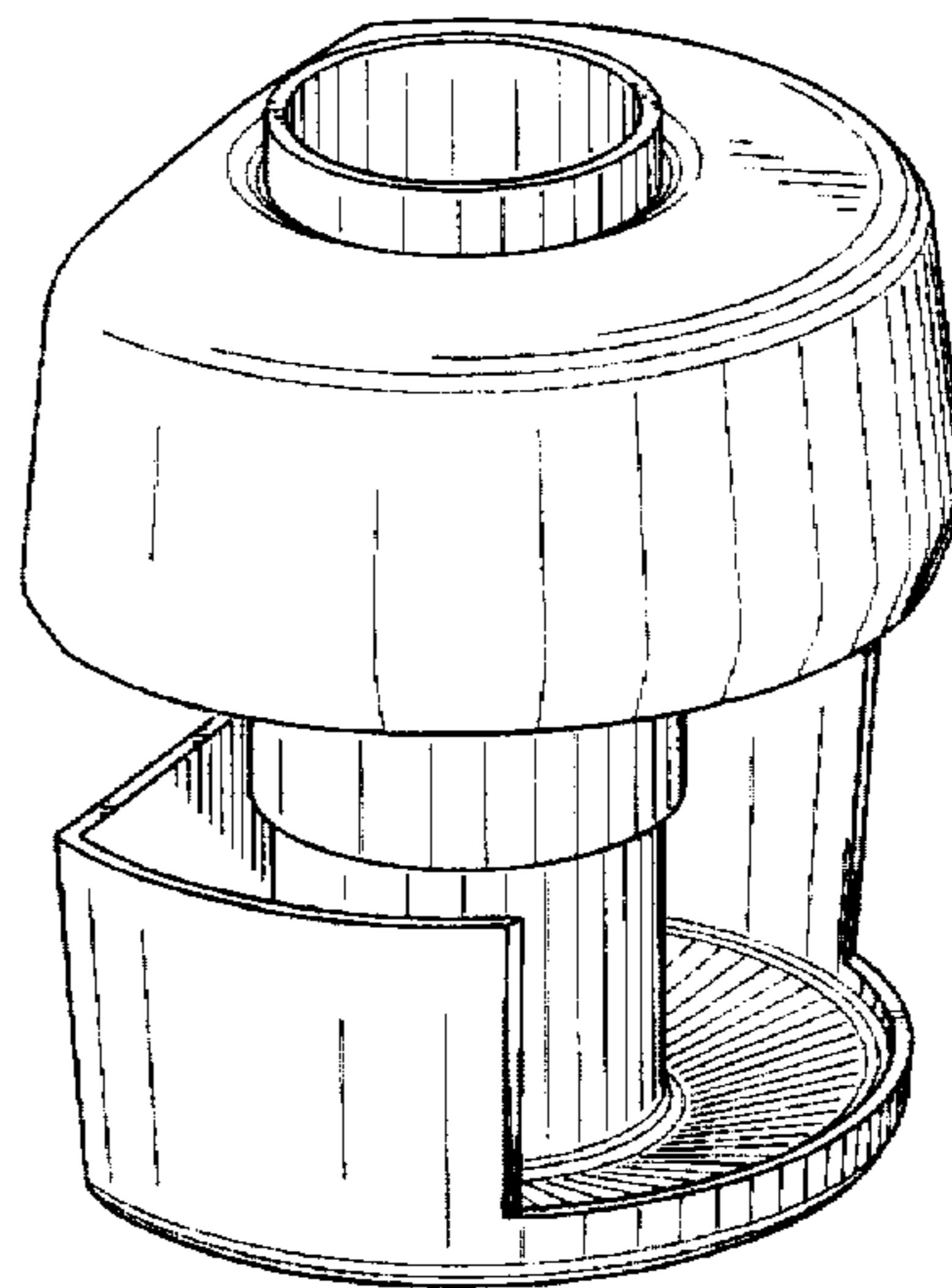
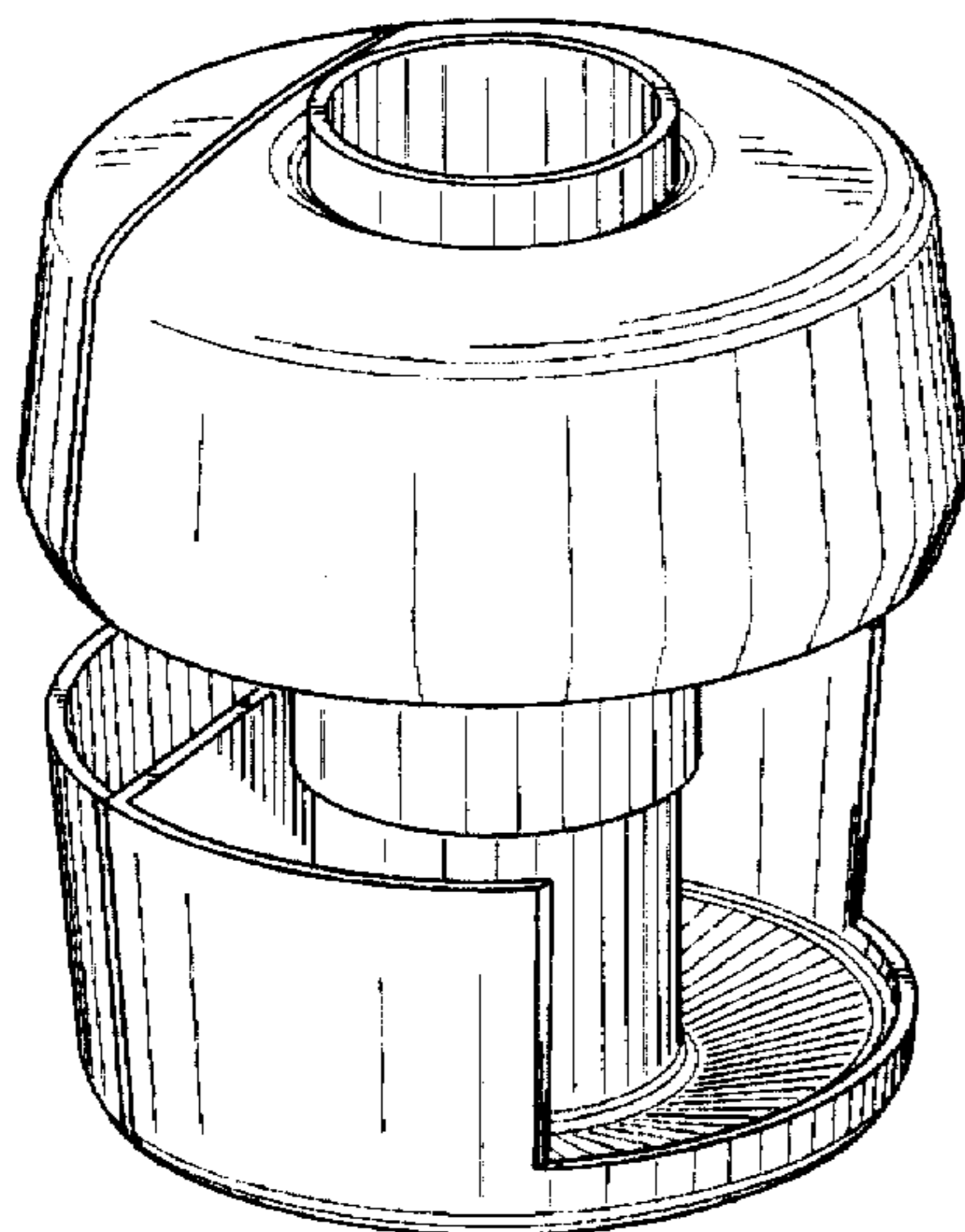
[57] **CLAIM**

The ornamental design for a flap valve actuator for a toilet tank, as shown and described.

**DESCRIPTION**

FIG. 1 is a perspective view of a flap valve actuator showing a first embodiment of my design;  
 FIG. 2 is an elevational view seen from the right side of FIG. 1;  
 FIG. 3 is an elevational view seen from the opposite side of FIG. 2;  
 FIG. 4 is an elevational view seen from the right side of FIG. 2;  
 FIG. 5 is a top plan view thereof;  
 FIG. 6 is a bottom plan view thereof;  
 FIG. 7 is a perspective view of a second embodiment of my design;  
 FIG. 8 is an elevational view seen from the right side of FIG. 7;  
 FIG. 9 is an elevational view seen from the opposite side of FIG. 8;  
 FIG. 10 is an elevational view seen from the right side of FIG. 8;  
 FIG. 11 is a top plan view thereof; and  
 FIG. 12 is a bottom plan view thereof.  
 The undisclosed inner surface of the upper half section of the flap valve actuator forms no part of the claim design.

**1 Claim, 4 Drawing Sheets**



**OTHER PUBLICATIONS**

Brochure—"Ultra Flush 'The toilet water reduction device from WRC'" by Water Reduction Corporation, dated 1992 (2 pages).

Brochure—"Installation Guidelines for Ultra Flush, the water reduction device from WRC", dated 1992 (2 pages).

Brochure—"New Razor Back Series, Water Hog, the toilet water reduction device from Anacom", dated Jan., 1994 (2 pages).

Brochure—"Installation Guidelines for the New Razor Back Series" by Anacom Engineered Products Inc. dated Jan., 1994 (1 page).

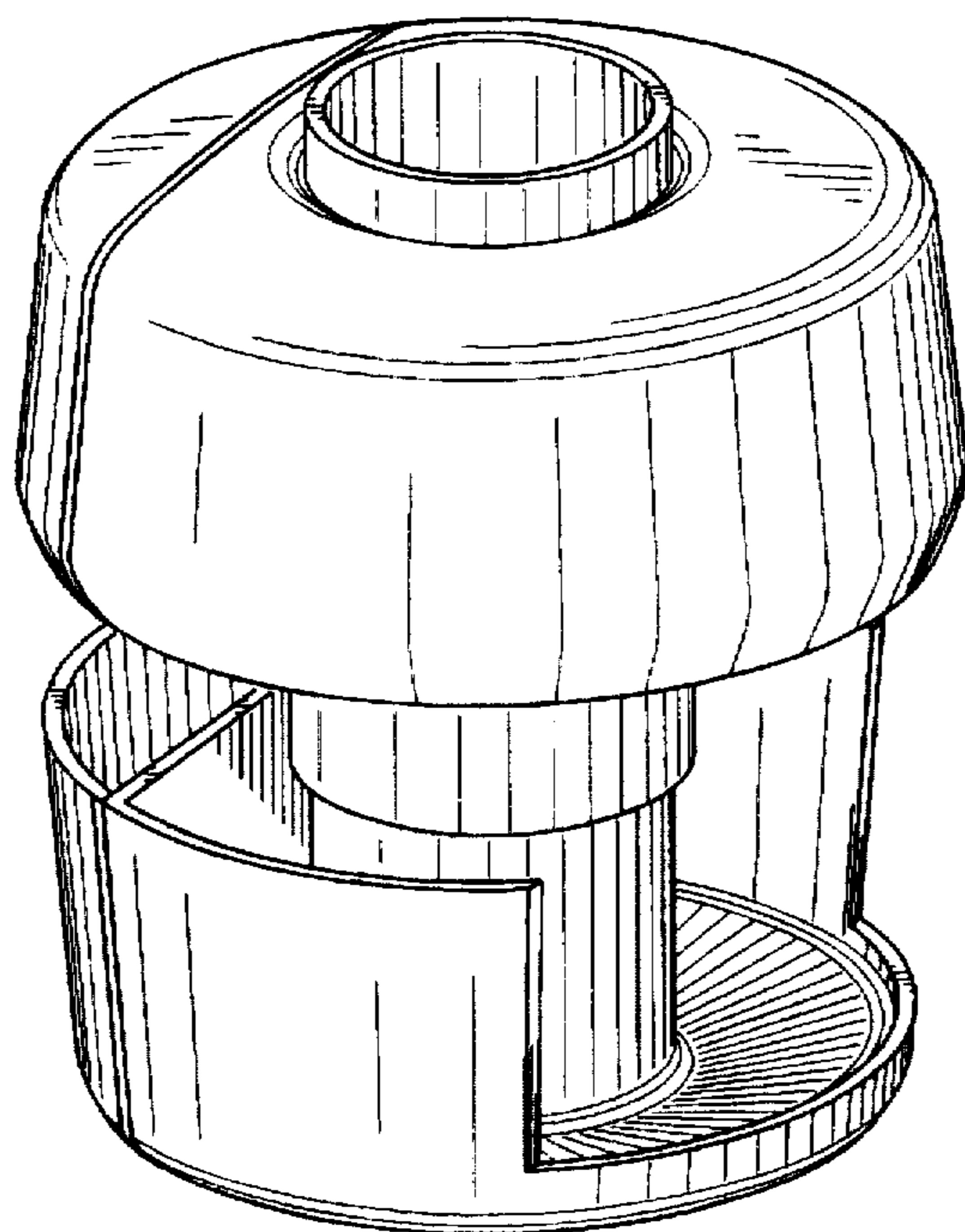


FIG. 1.

FIG. 2.

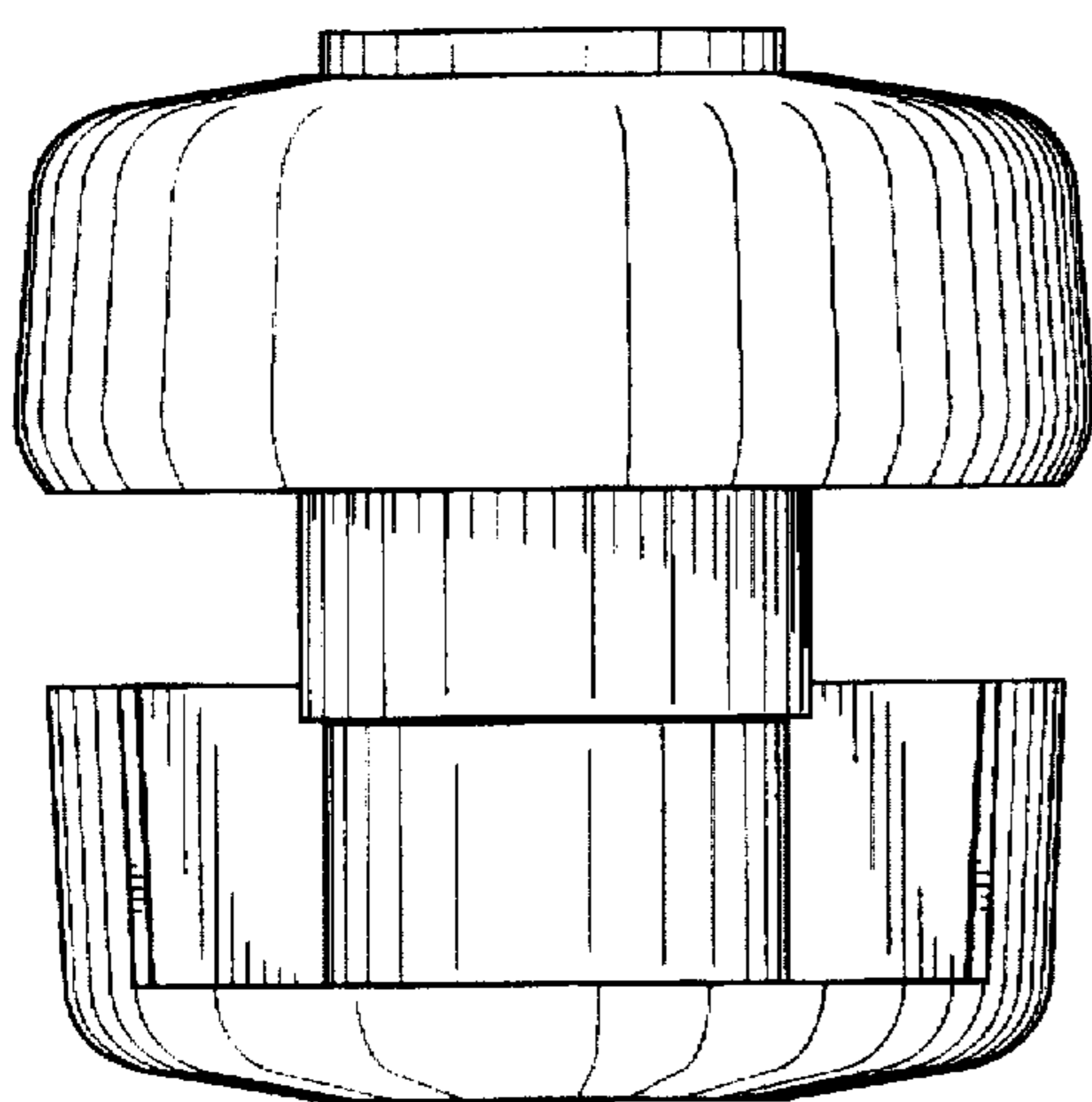


FIG. 3.

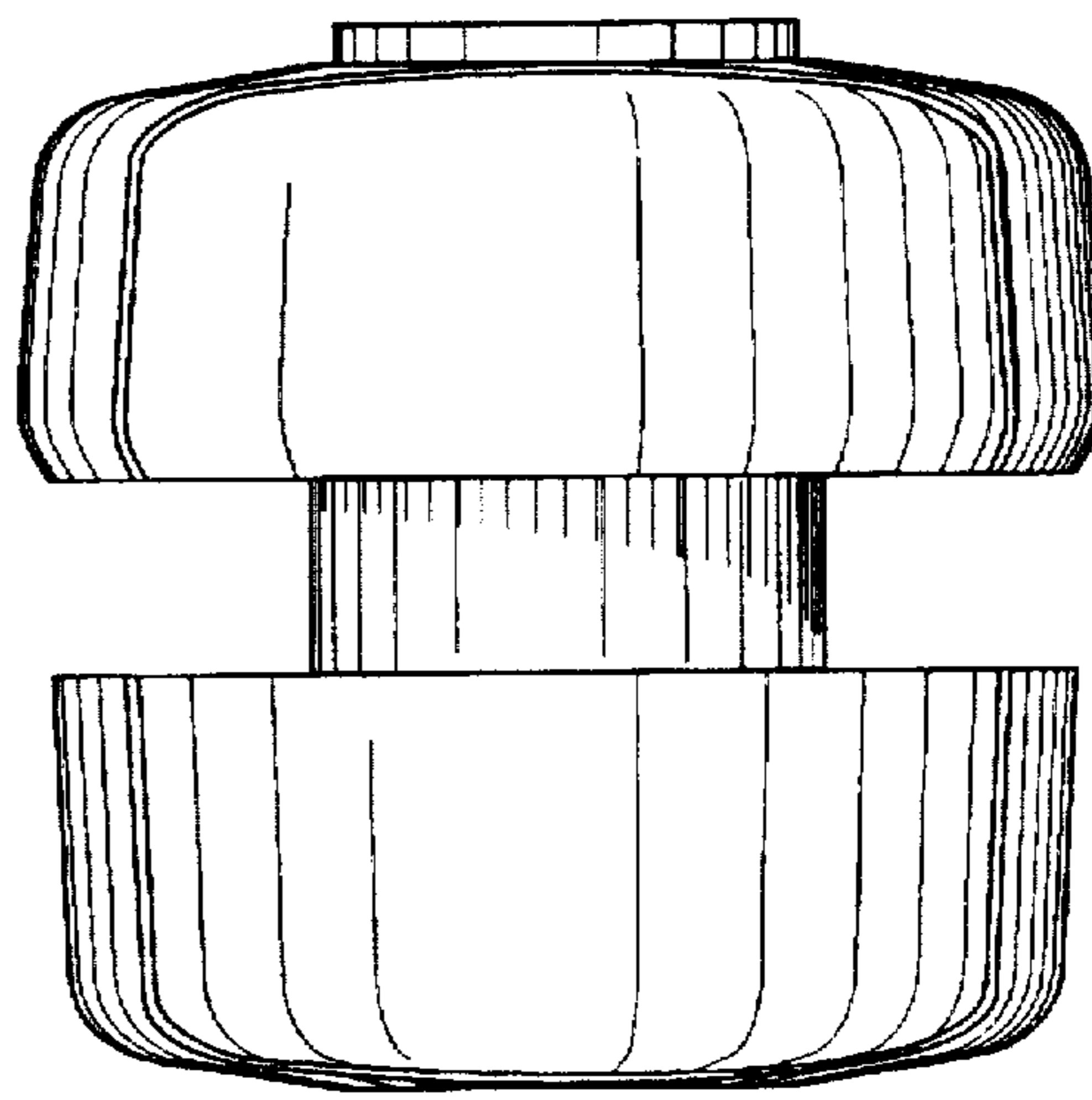


FIG. 4.

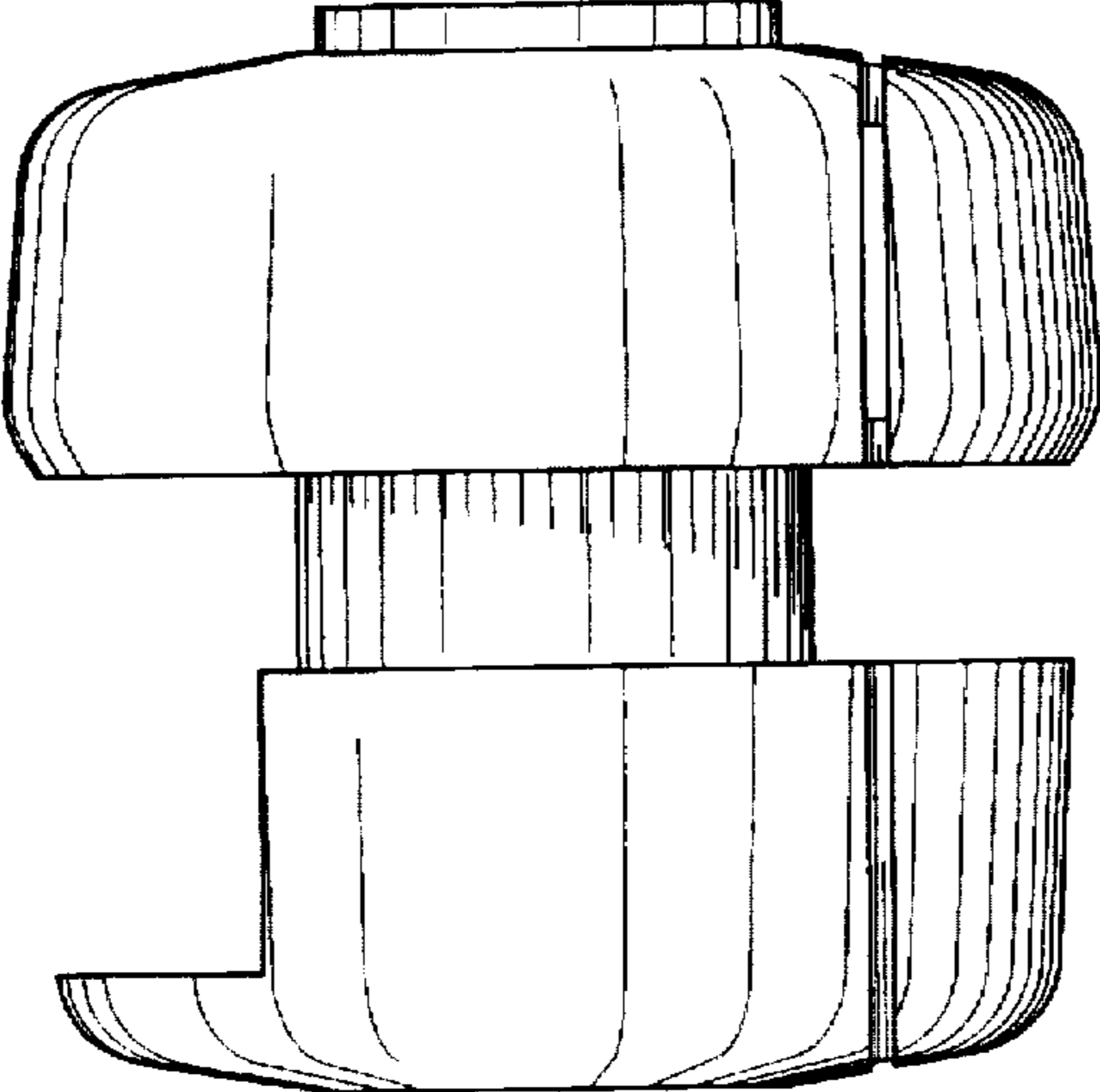


FIG. 5.

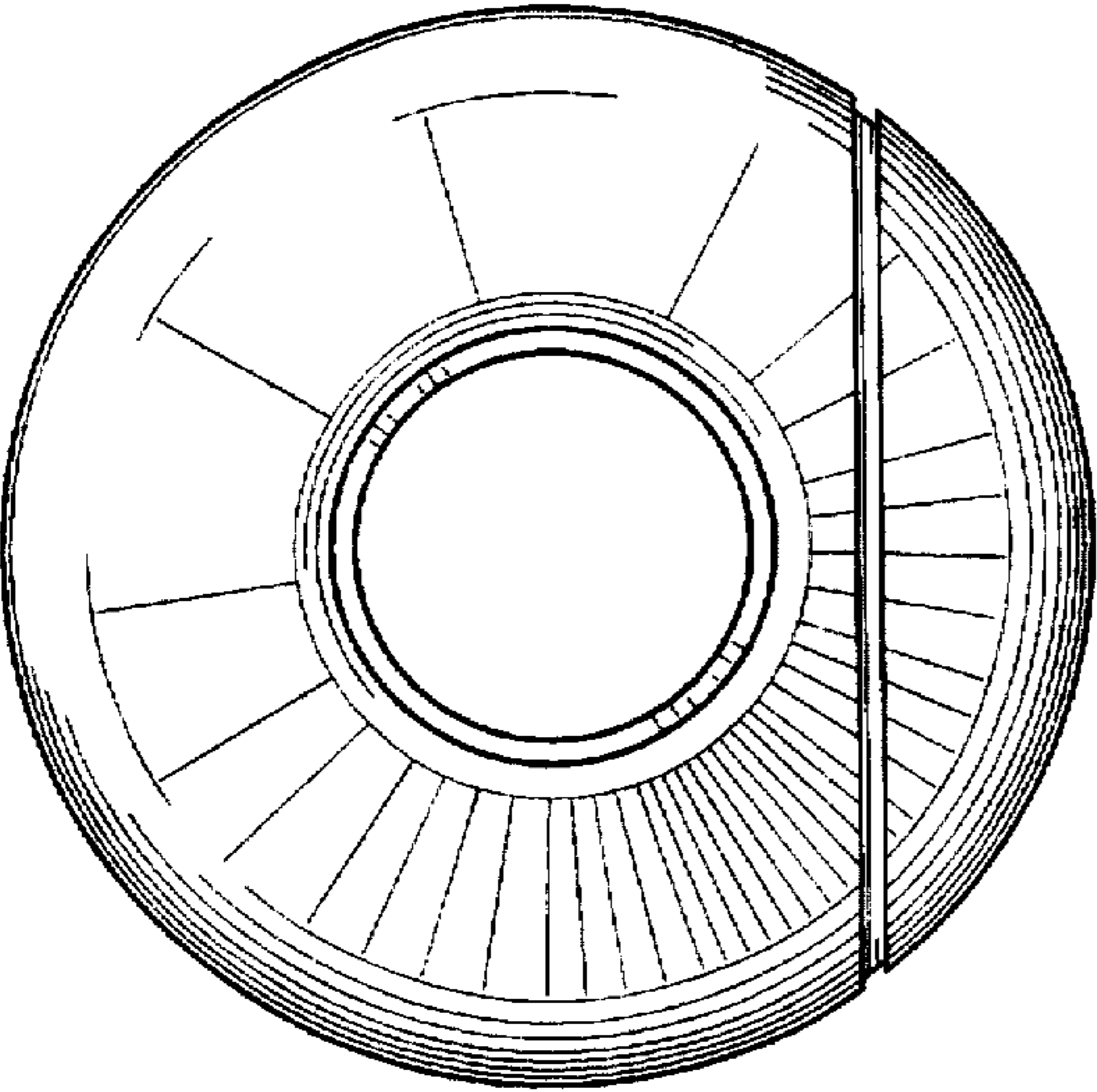
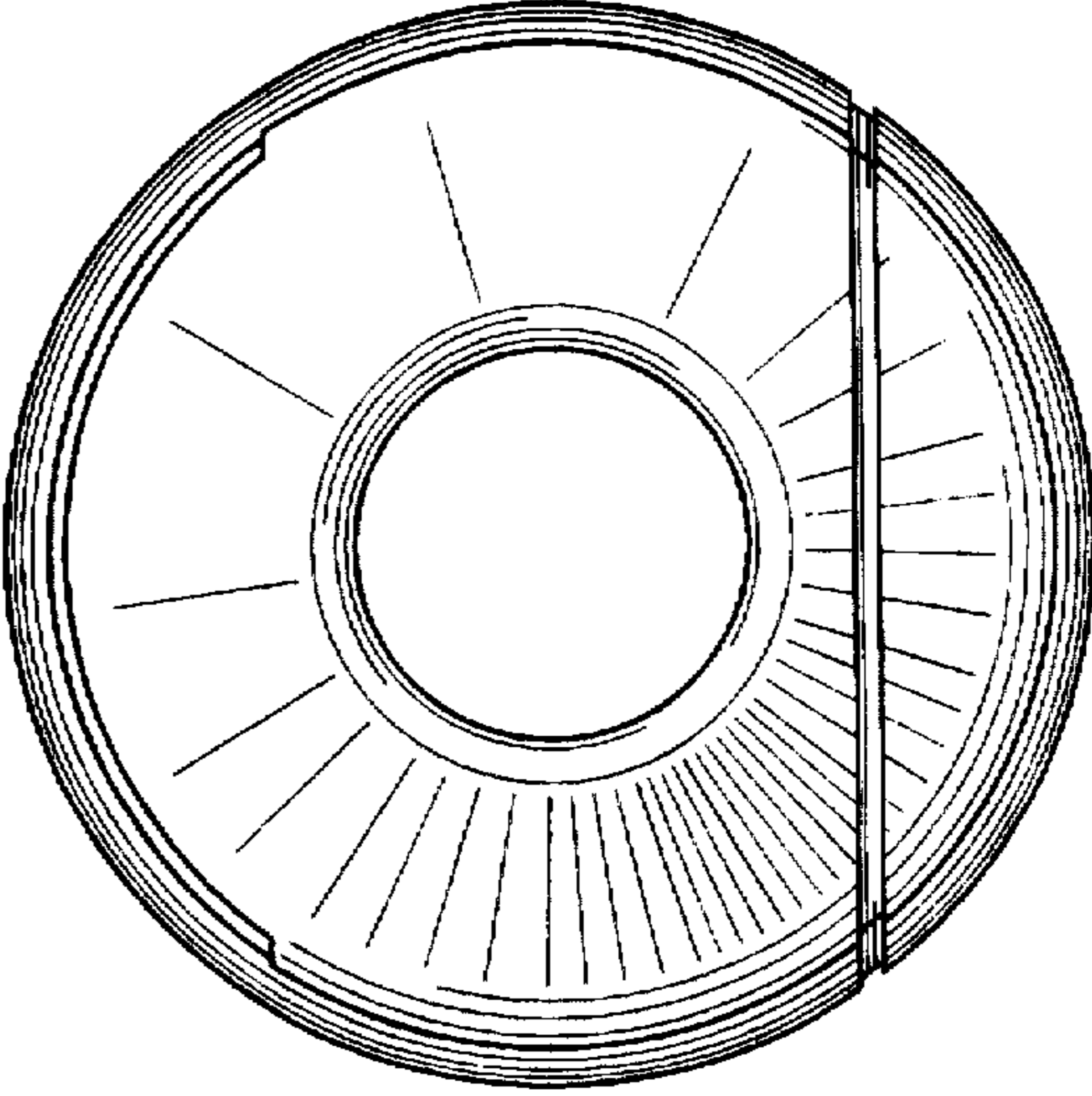


FIG. 6.



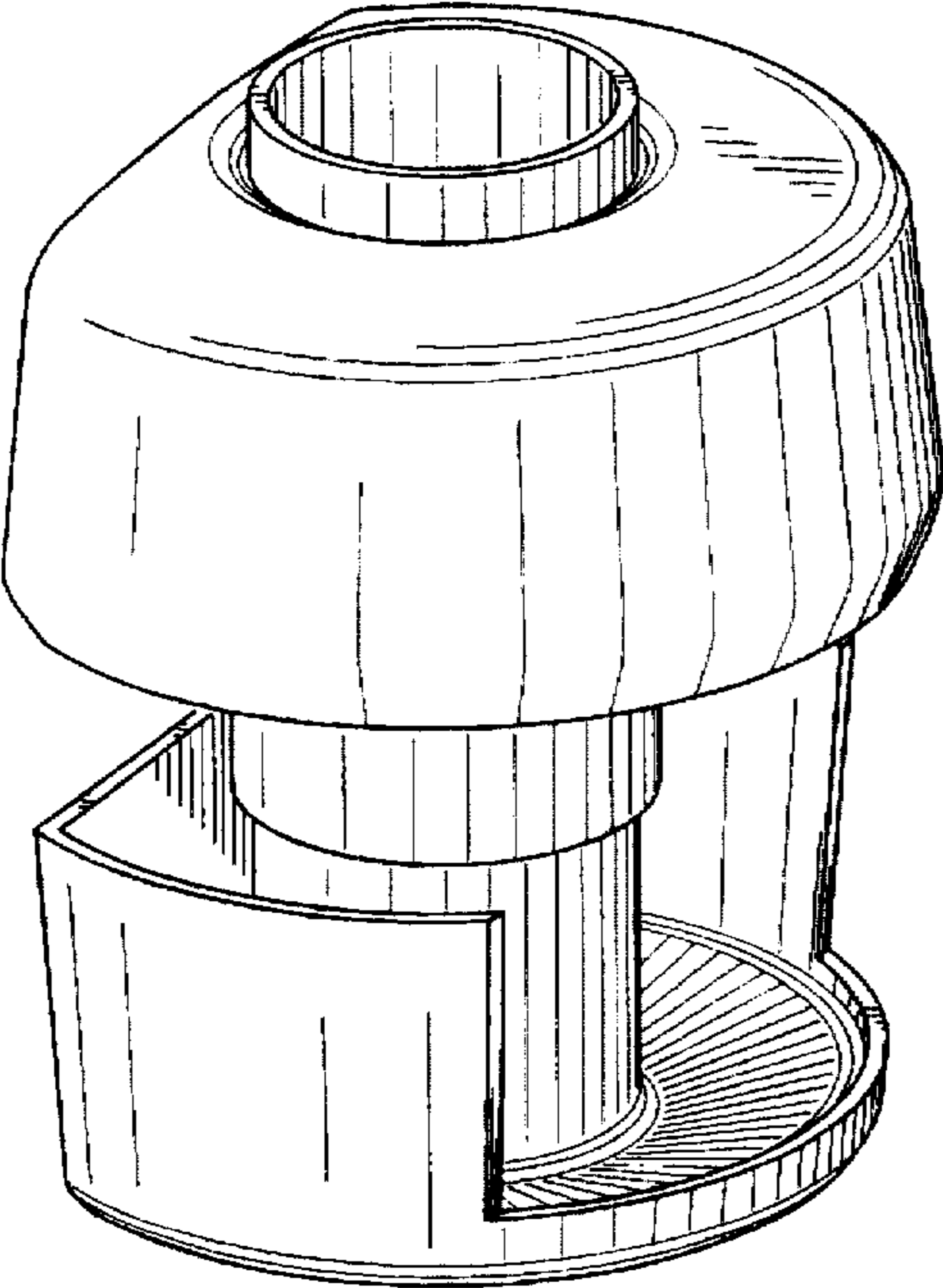


FIG. 7.

FIG. 8.

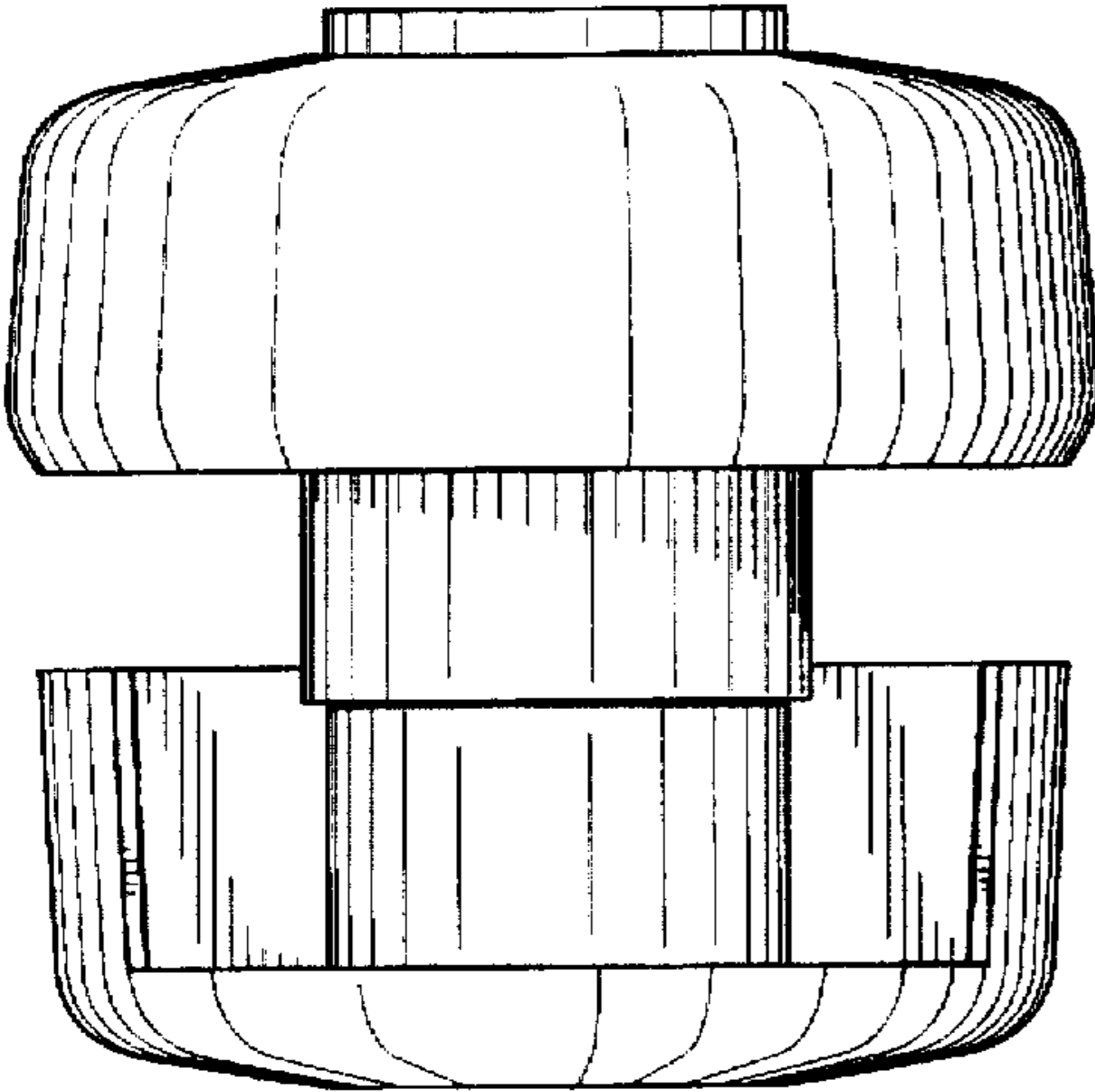


FIG. 9.

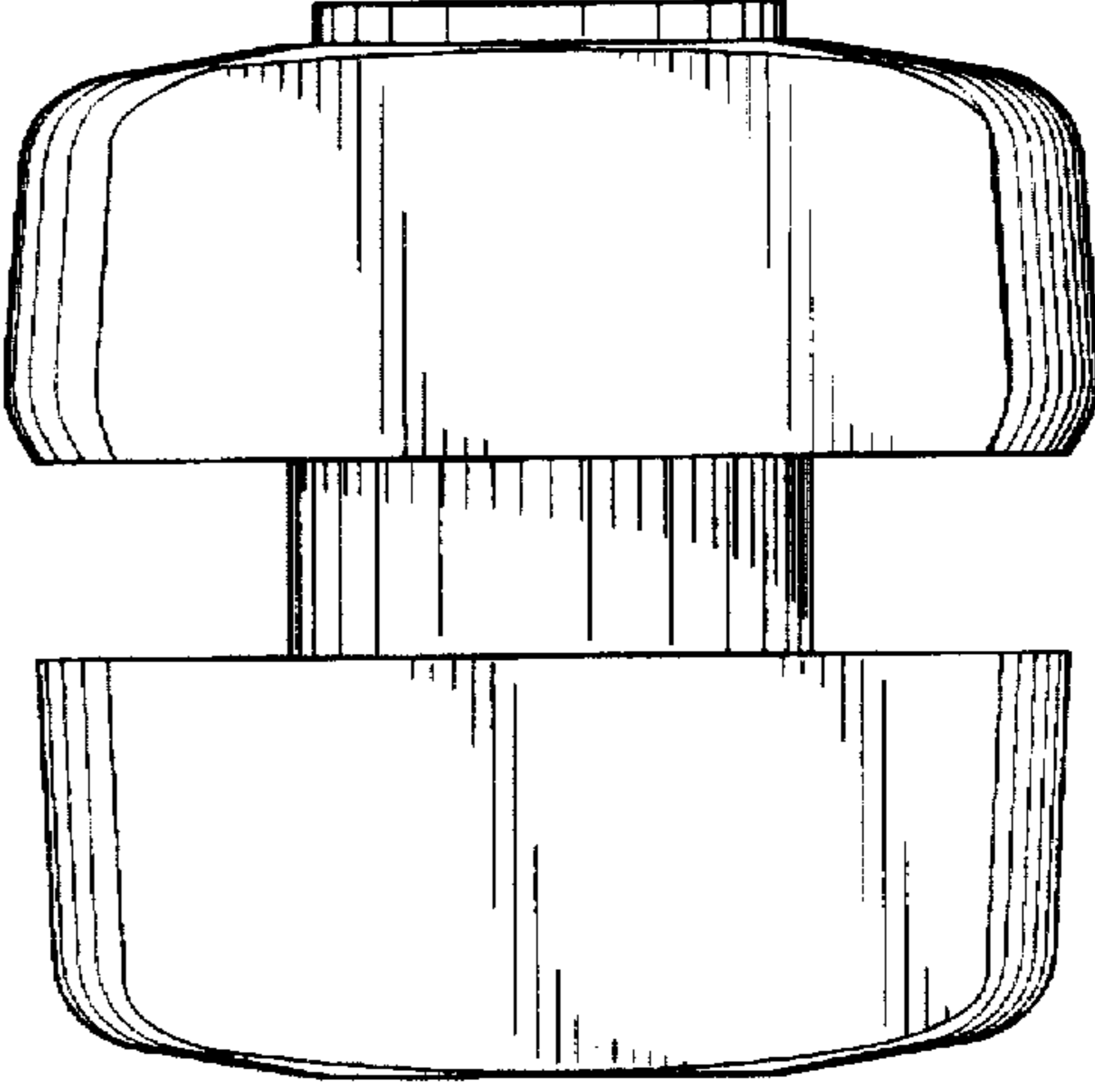


FIG. 10.

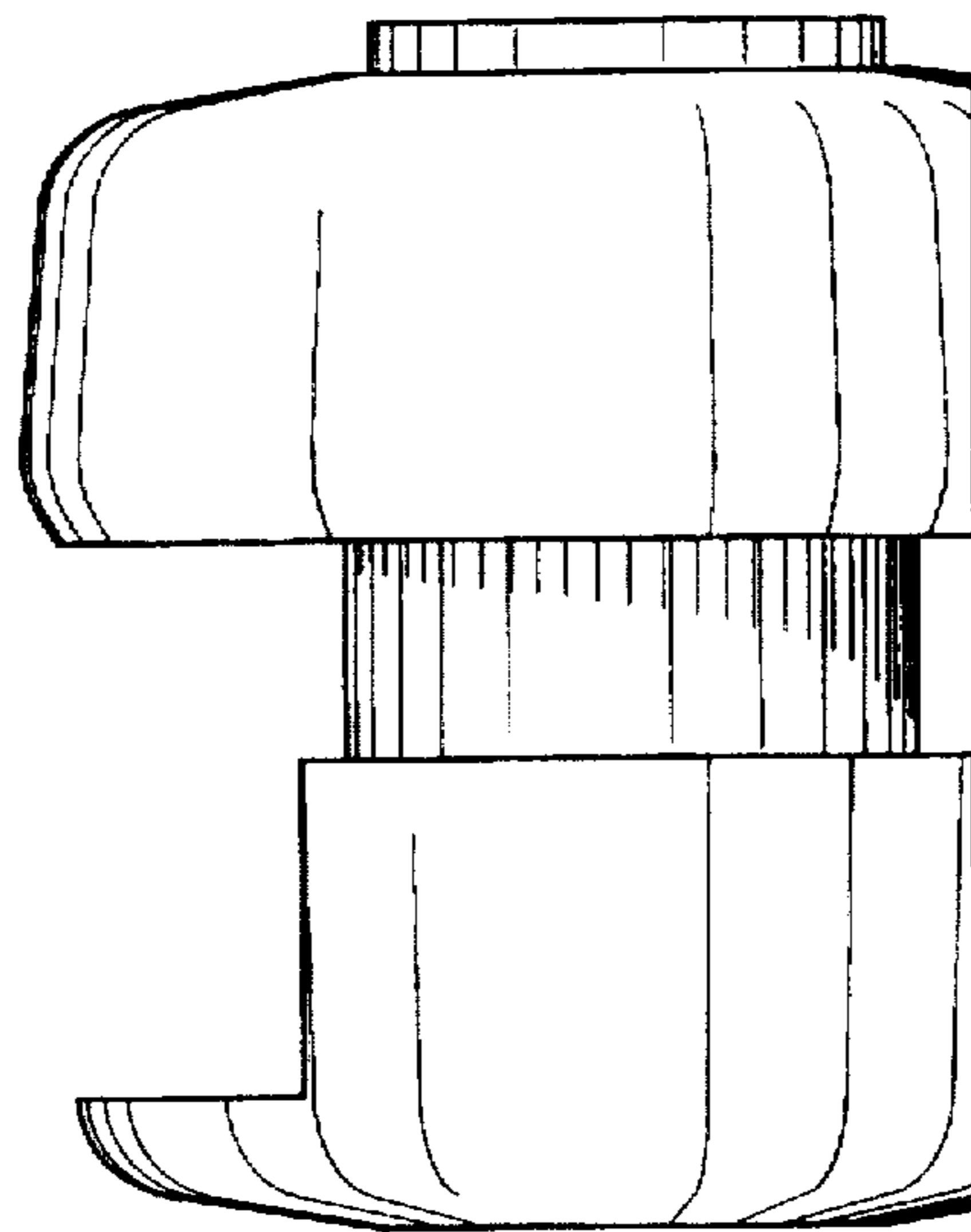


FIG. 11.

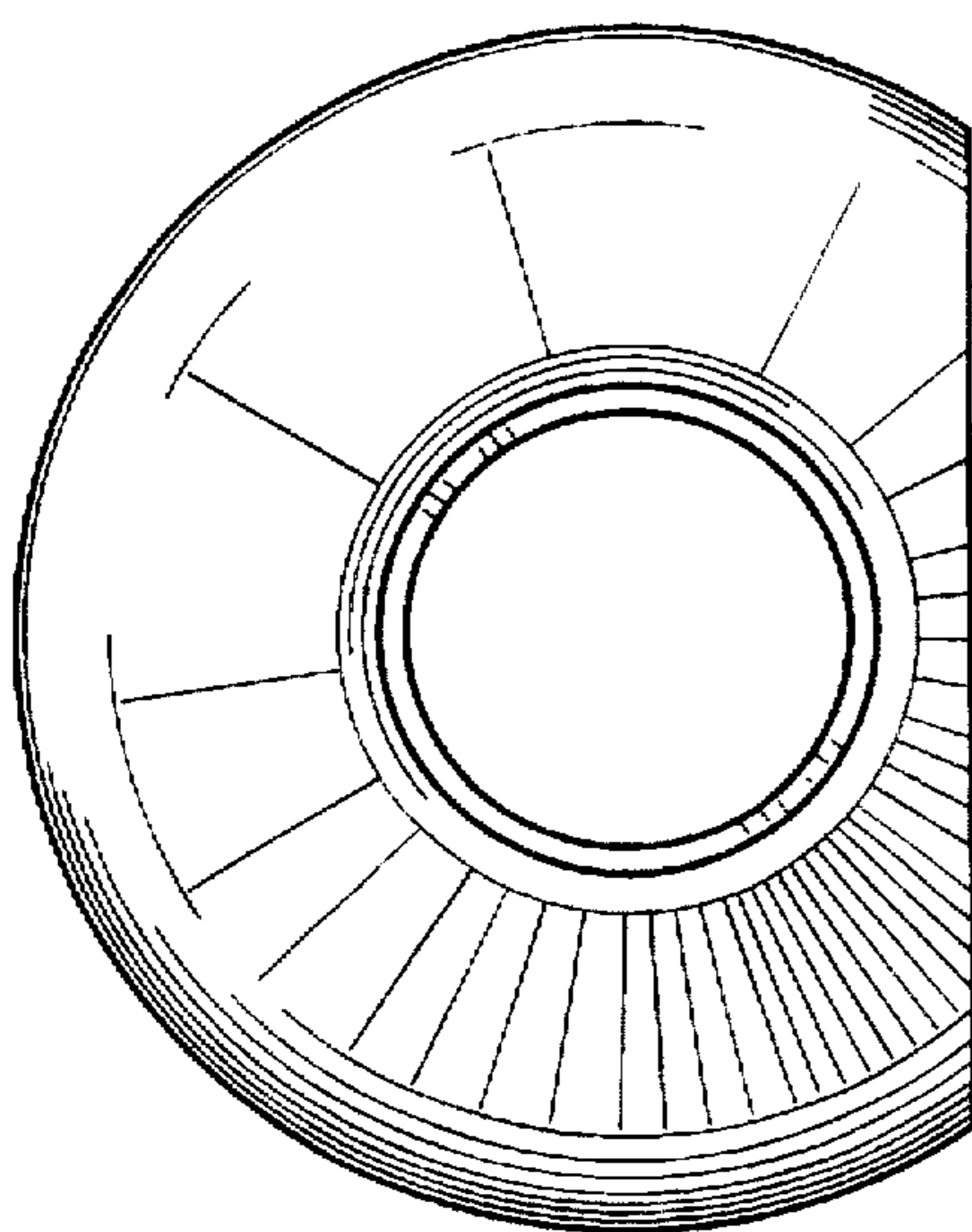


FIG. 12.

