



US00D396088S

United States Patent [19]
Hsu

[11] **Patent Number: Des. 396,088**
[45] **Date of Patent: **Jul. 14, 1998**

[54] **WATER FILTER**

D. 386,242 11/1997 Clack et al. D23/209
5,529,689 6/1996 Korin 210/232

[76] **Inventor: Chao Fou Hsu, 109, Lane 316, Dah Shuenn 3th Rd., Kaohsiung, Taiwan**

Primary Examiner—Alan P. Douglas
Assistant Examiner—Robin V. Taylor
Attorney, Agent, or Firm—David & Raymond; Raymond Y. Chan

[**] **Term: 14 Years**

[21] **Appl. No.: 73,868**

[57] **CLAIM**

[22] **Filed: Jul. 18, 1997**

The ornamental design for a water filter, as shown.

[51] **LOC (6) Cl. 23-01**

DESCRIPTION

[52] **U.S. Cl. D23/209**

[58] **Field of Search D23/200, 207, D23/209; 210/459-461, 232, 238**

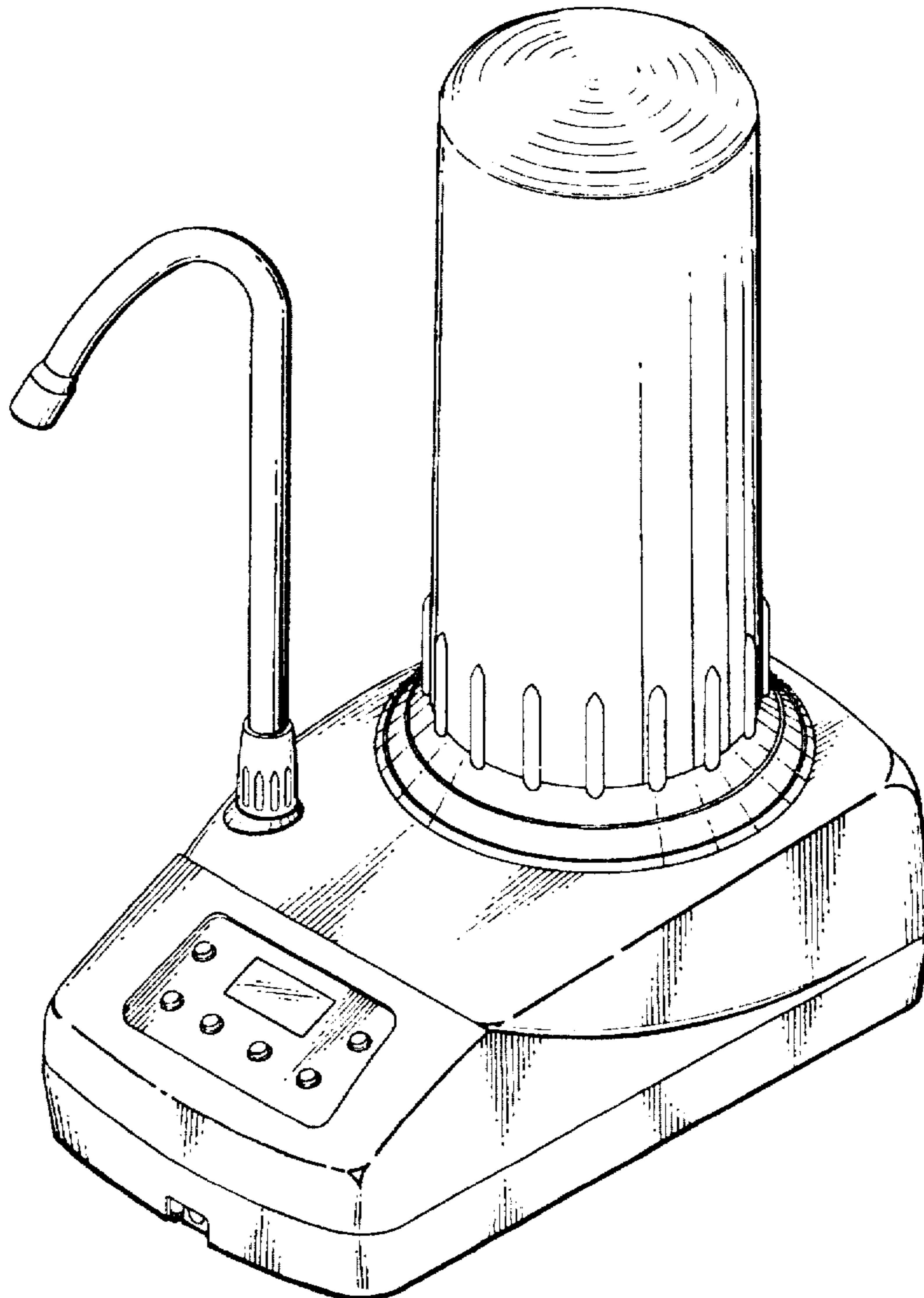
FIG. 1 is a front view thereof;
FIG. 2 is a rear view thereof;
FIG. 3 is a left end view thereof;
FIG. 4 is a right end view thereof;
FIG. 5 is a top view thereof;
FIG. 6 is a bottom view thereof; and,
FIG. 7 is a perspective view showing my new design.

[56] **References Cited**

U.S. PATENT DOCUMENTS

D. 196,108	8/1963	Gerber	D23/207
D. 289,317	4/1987	Mezey	D23/209
D. 296,463	6/1988	Padilla	D23/207
D. 328,121	7/1992	Pedersen et al.	D23/209

1 Claim, 4 Drawing Sheets



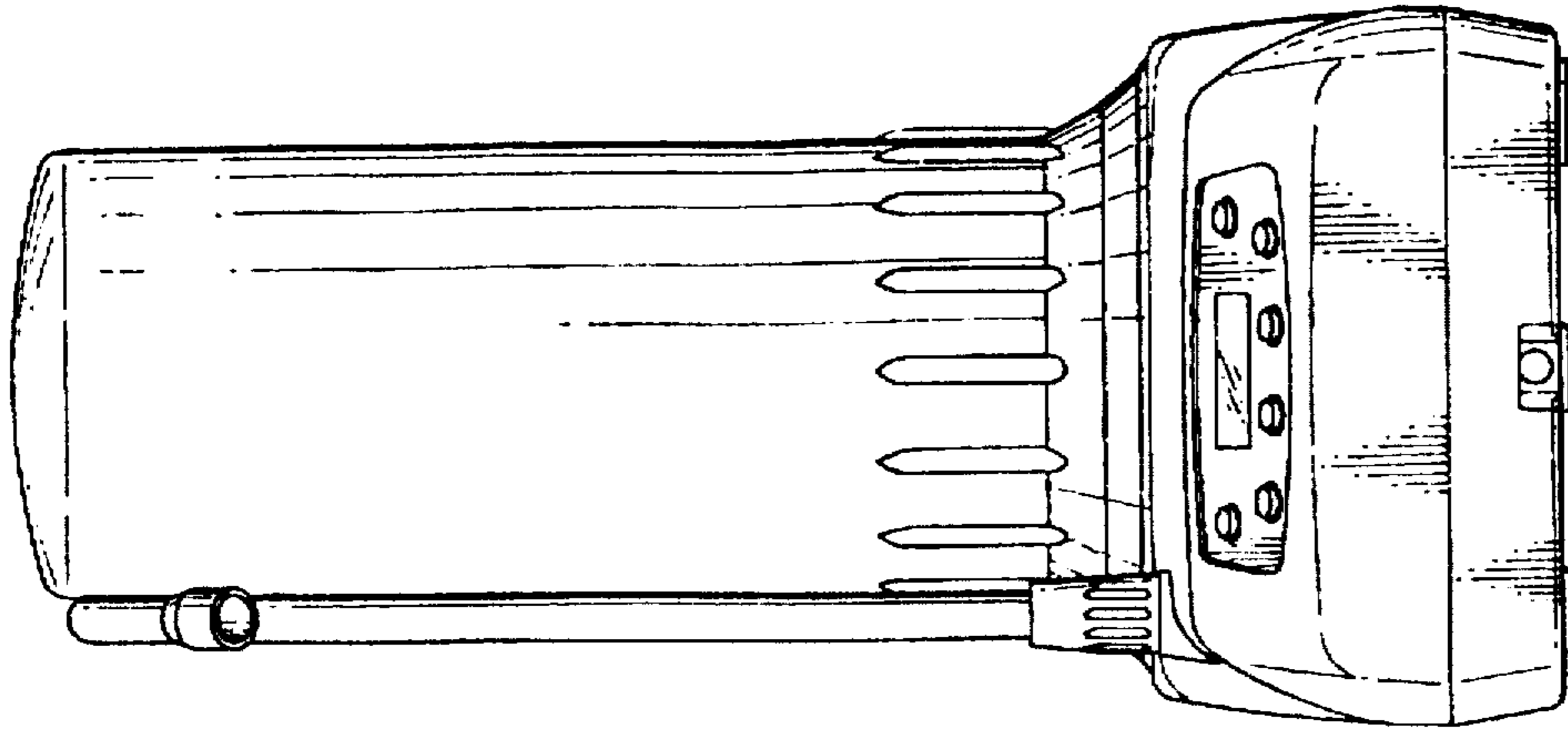


Fig. 1

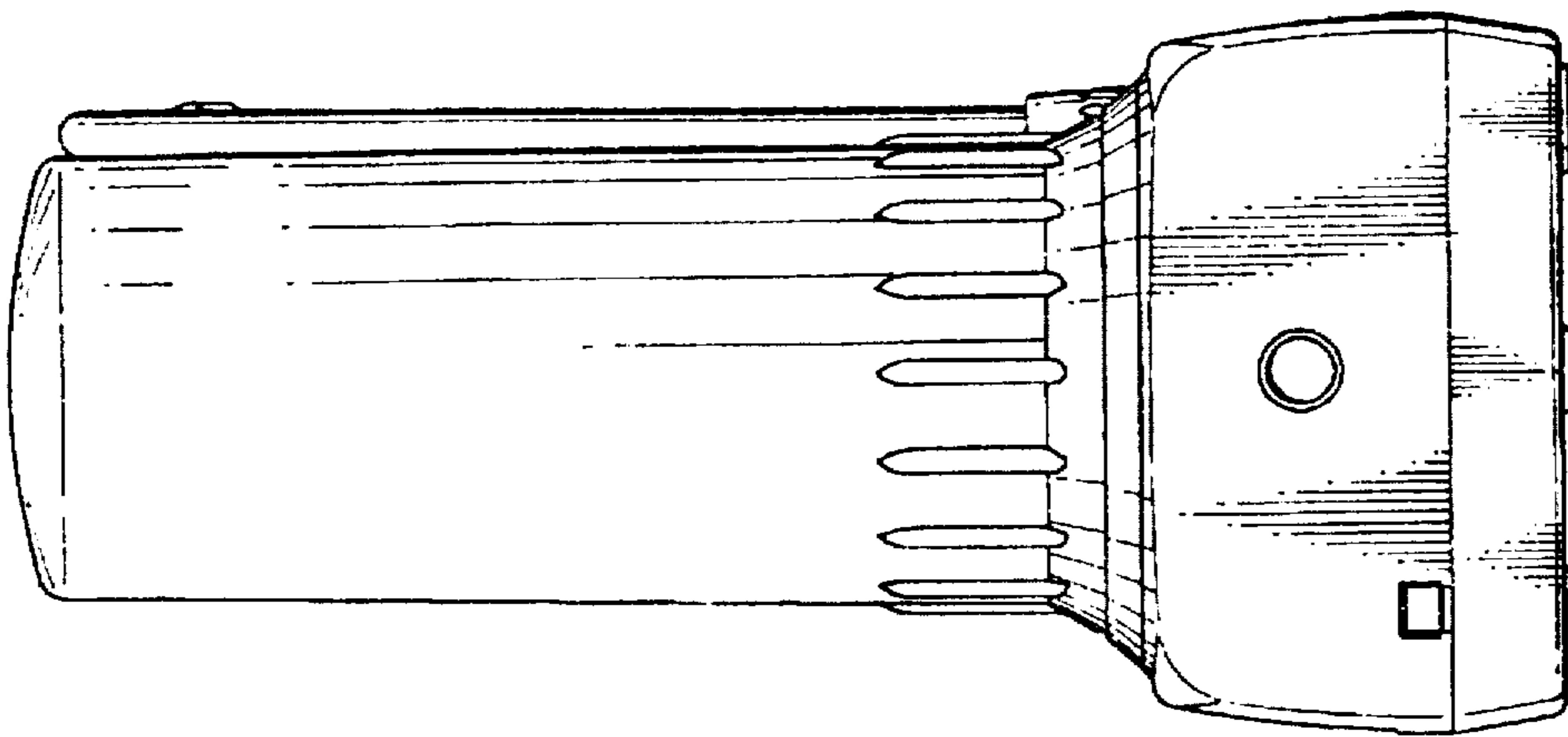


Fig. 2

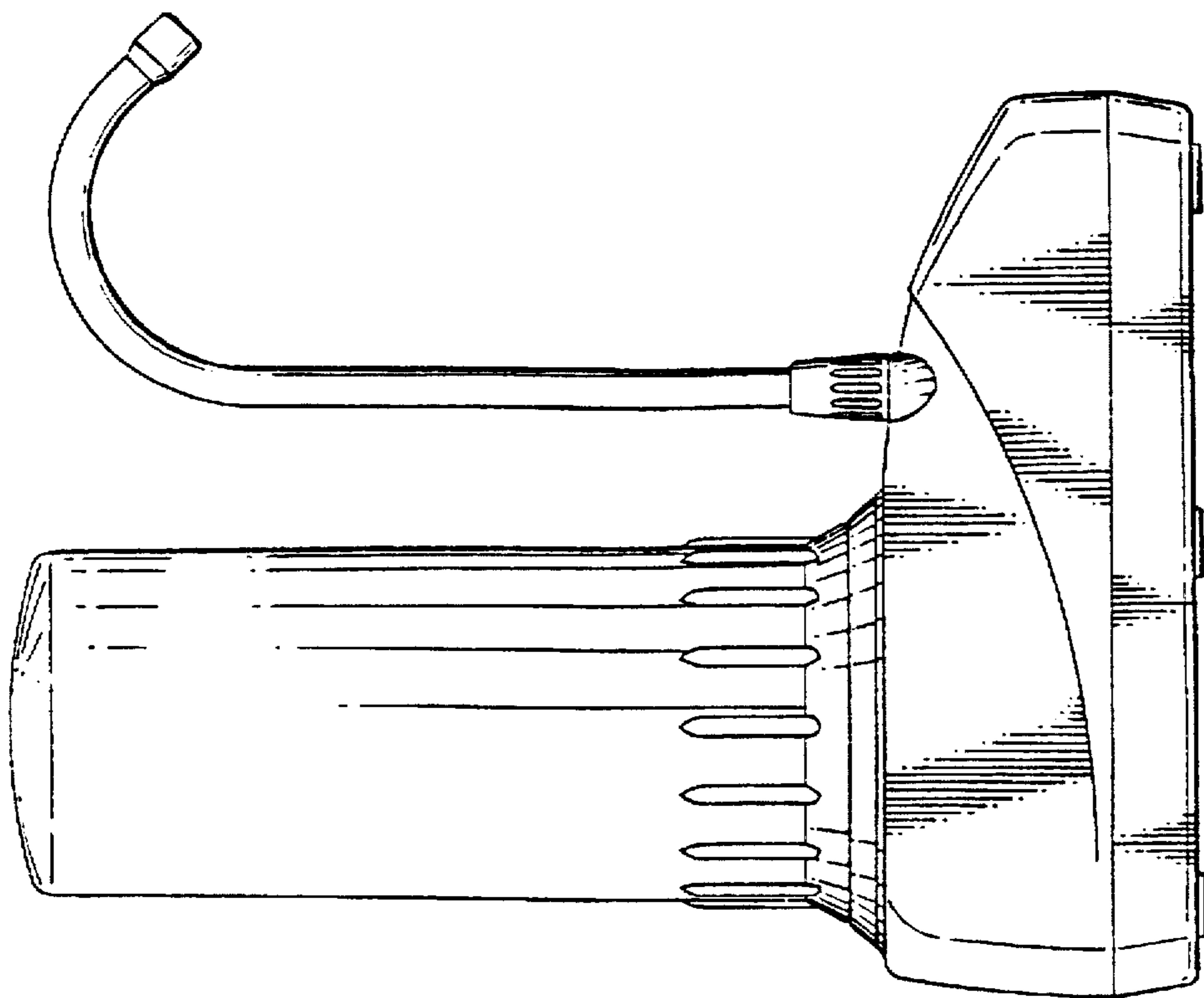


Fig. 3

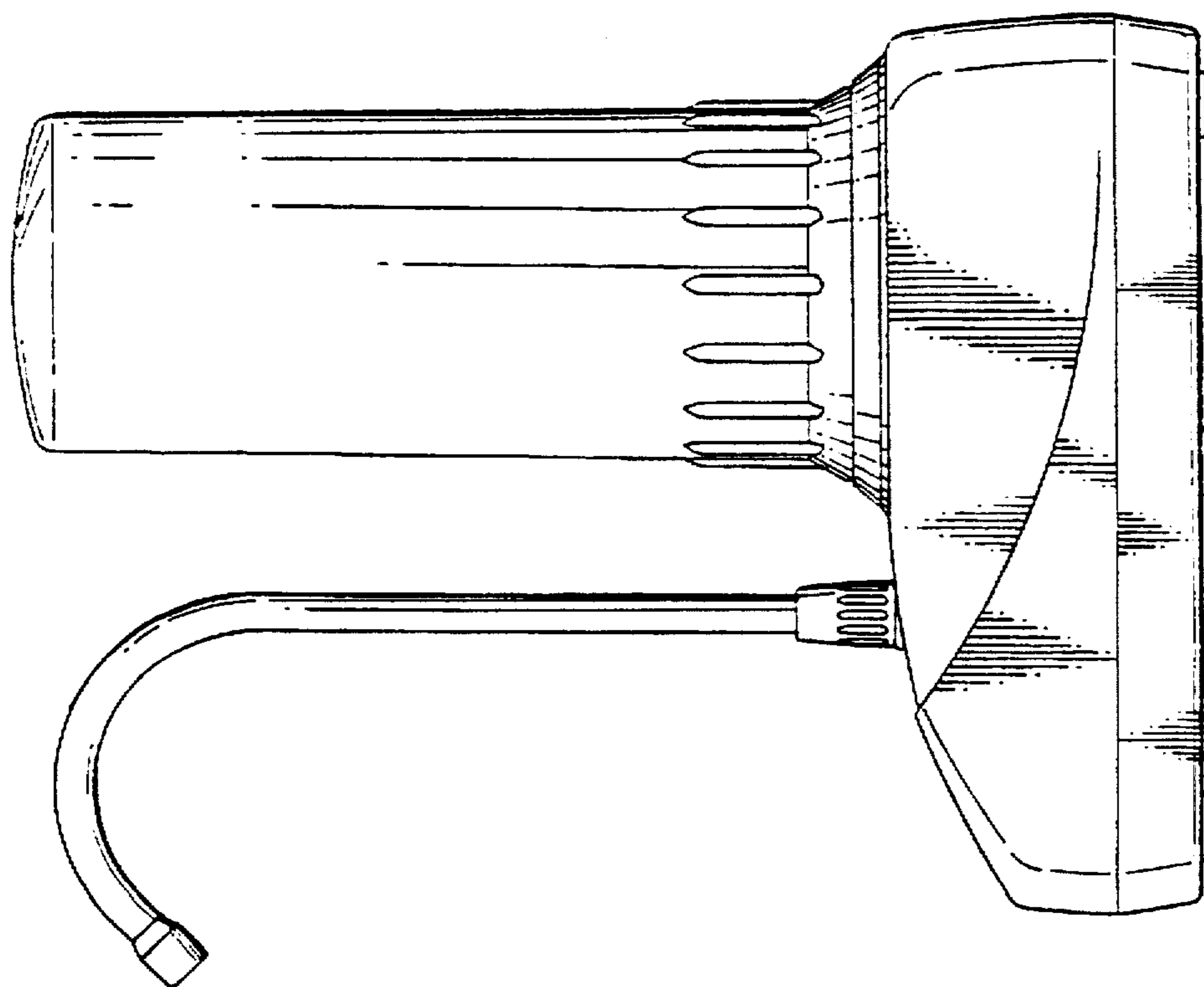


Fig. 4

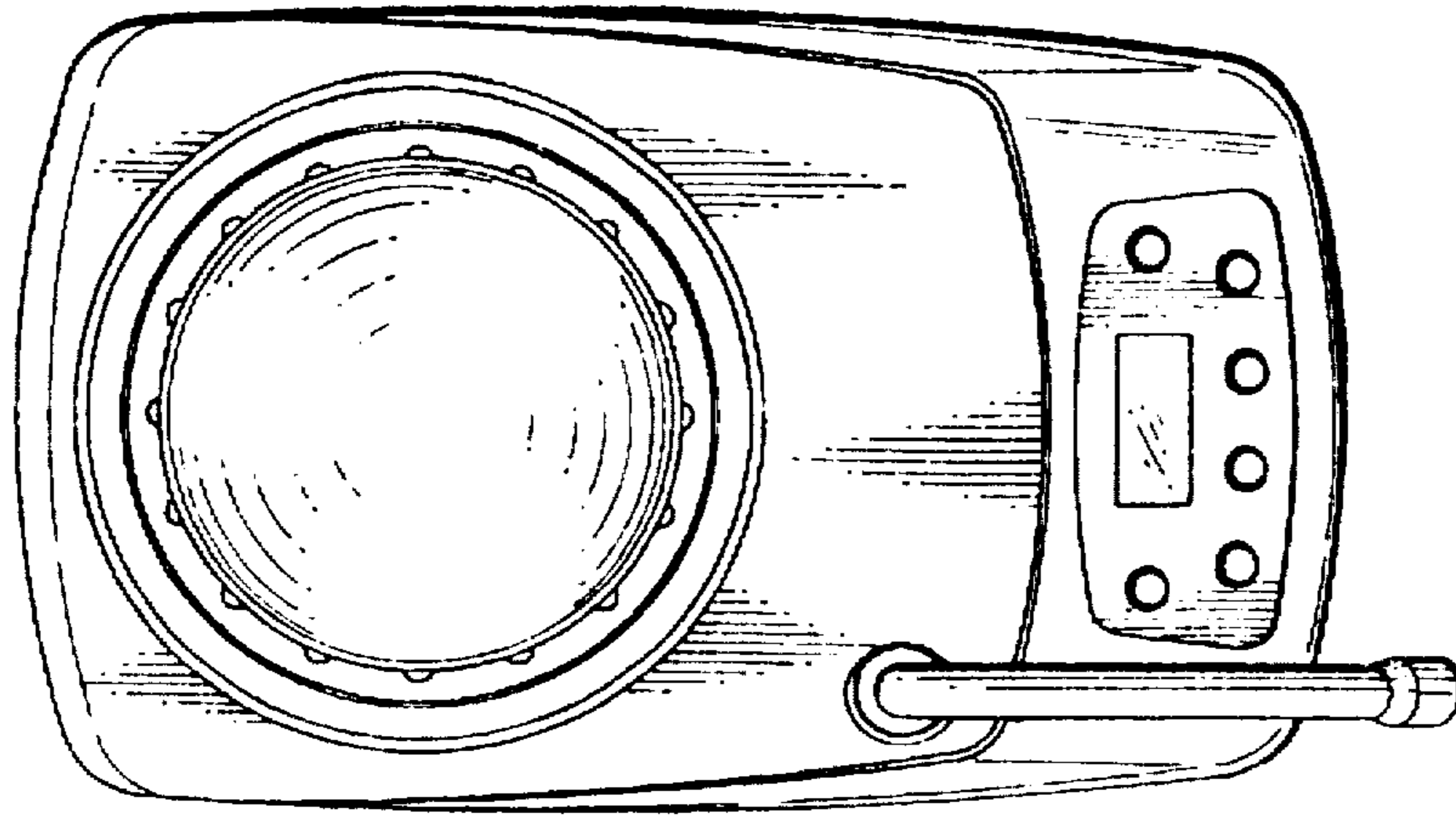


Fig. 5

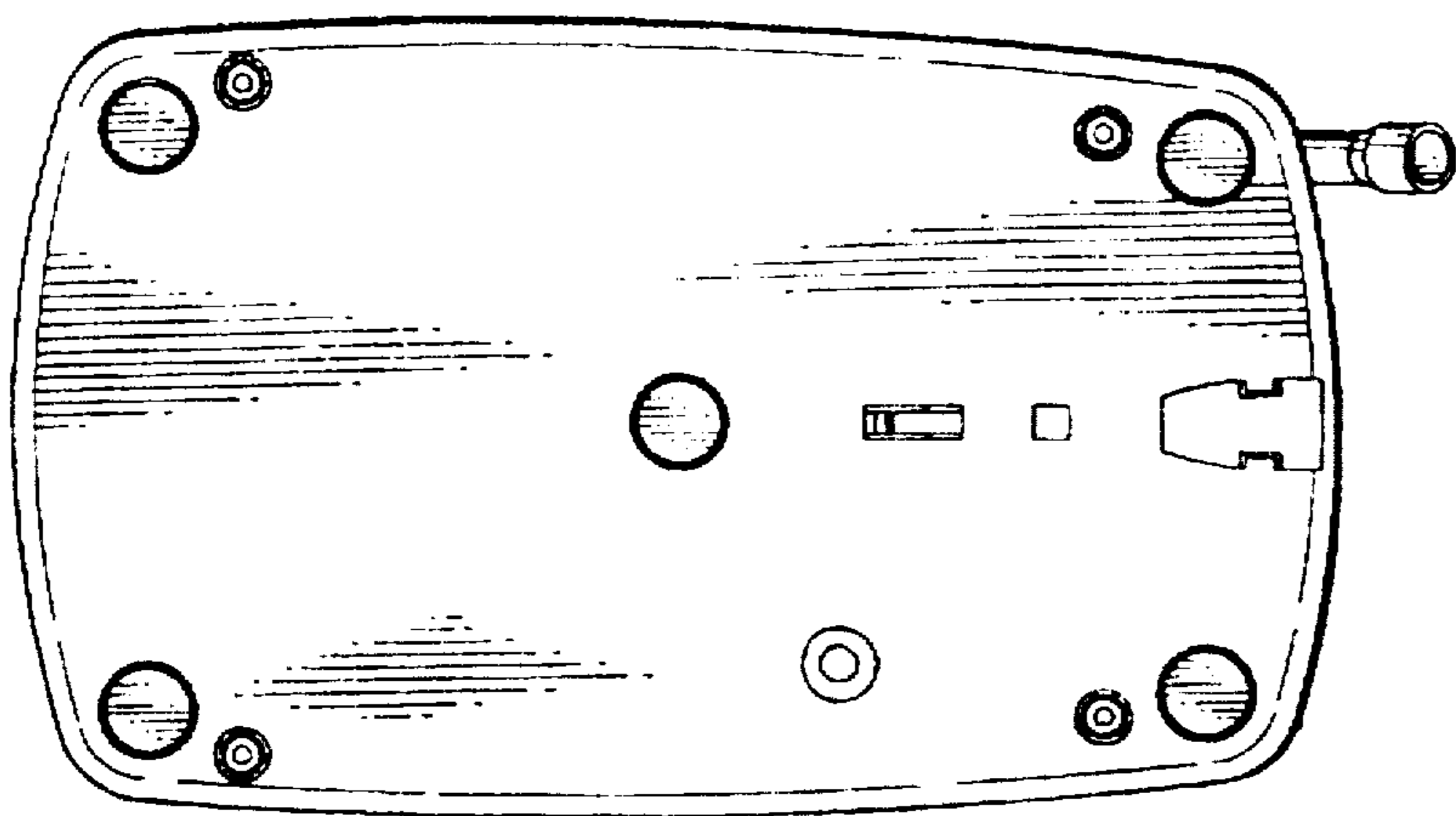


Fig. 6

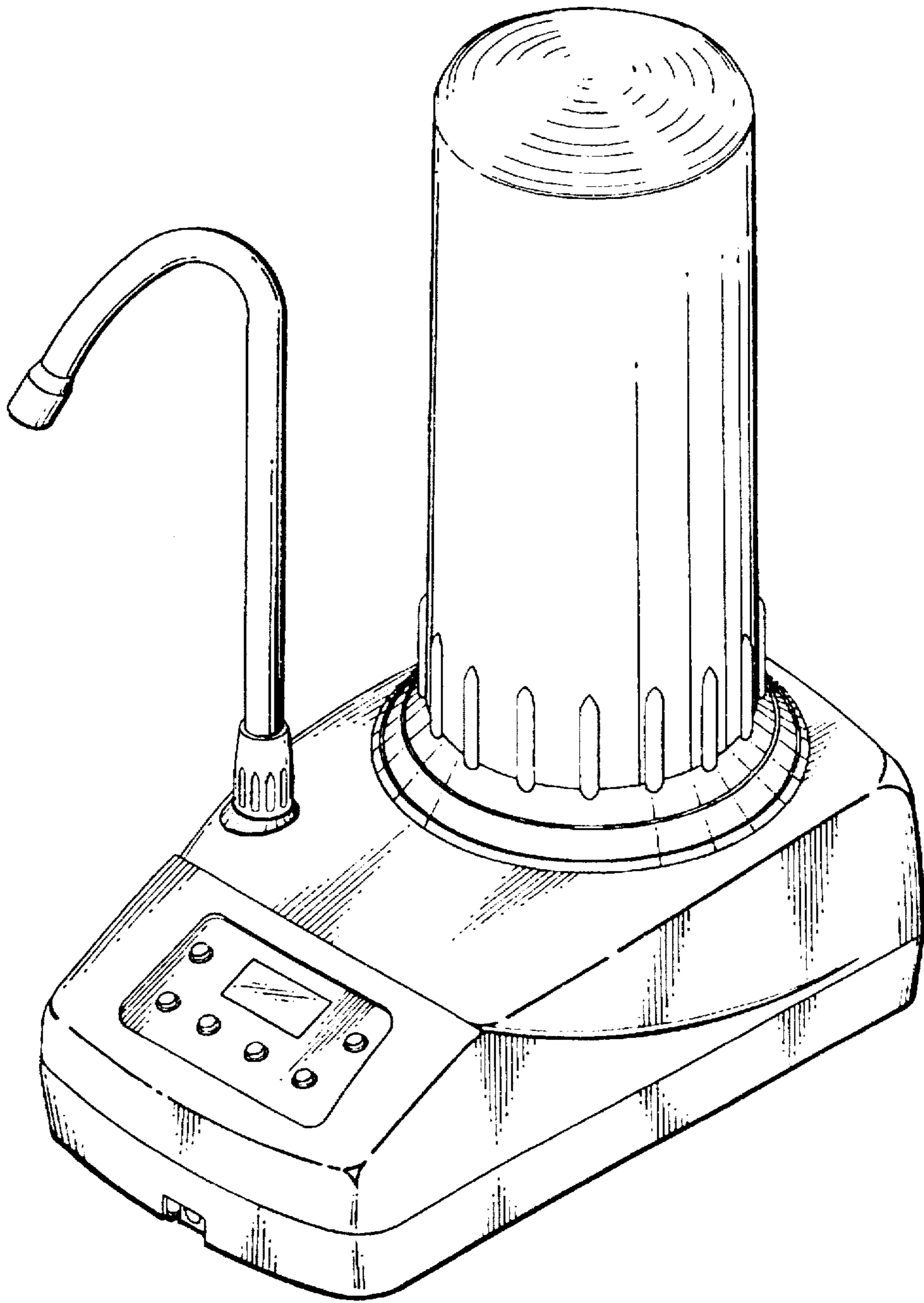


Fig.7