



US00D396085S

United States Patent [19]
Boelling

[11] **Patent Number: Des. 396,085**
[45] **Date of Patent: **Jul. 14, 1998**

[54] **GOLF TEE TOOL**
[75] **Inventor: James E. Boelling, Des Moines, Iowa**
[73] **Assignee: Wy-Tech, Inc., Des Moines, Iowa**
[**] **Term: 14 Years**
[21] **Appl. No.: 71,619**
[22] **Filed: Jun. 3, 1997**
[51] **LOC (6) Cl. 21-02**
[52] **U.S. Cl. D21/234**
[58] **Field of Search D21/234, 208;**
473/485, 486, 386, 408

4,313,604 2/1982 Baxter 473/386
4,660,837 4/1987 Bressie .
4,896,883 1/1990 Wagenknecht .
4,960,239 10/1990 Wait .
4,989,868 2/1991 Manko .
4,998,726 3/1991 Budnick D21/234
5,052,689 10/1991 Lettrich .
5,242,161 9/1993 Wilkirson .
5,401,019 3/1995 Wissman et al. .
5,494,279 2/1996 Ahner .
5,632,696 5/1997 Nicholas et al. 473/386
5,634,862 6/1997 Gamache 473/386
5,643,113 7/1997 Rodgers 473/386

Primary Examiner—Sandra L. Morris
Assistant Examiner—Mitchell I. Siegel
Attorney, Agent, or Firm—Zarley, McKee, Thomte,
Voorhees & Sease

[56] **References Cited**

U.S. PATENT DOCUMENTS

D. 290,985 7/1987 Dikoff D21/234
D. 293,261 12/1987 Sadowski .
D. 314,922 2/1991 Musillo .
D. 321,544 11/1991 Axne .
D. 344,779 3/1994 Axne .
D. 347,255 5/1994 Kerr et al. .
D. 348,402 7/1994 McDonald .
D. 348,500 7/1994 Mortenson et al. .
D. 353,645 12/1994 Robidoux et al. .
D. 361,815 8/1995 Fazekas .
2,801,852 8/1957 Hottle .
2,950,110 8/1960 Slotta et al. .
3,074,719 1/1963 McKee .
3,312,468 4/1967 Lynch .
3,333,848 8/1967 Budzinski .
3,633,919 1/1972 Liccardello .
3,658,331 4/1972 Driscoll .

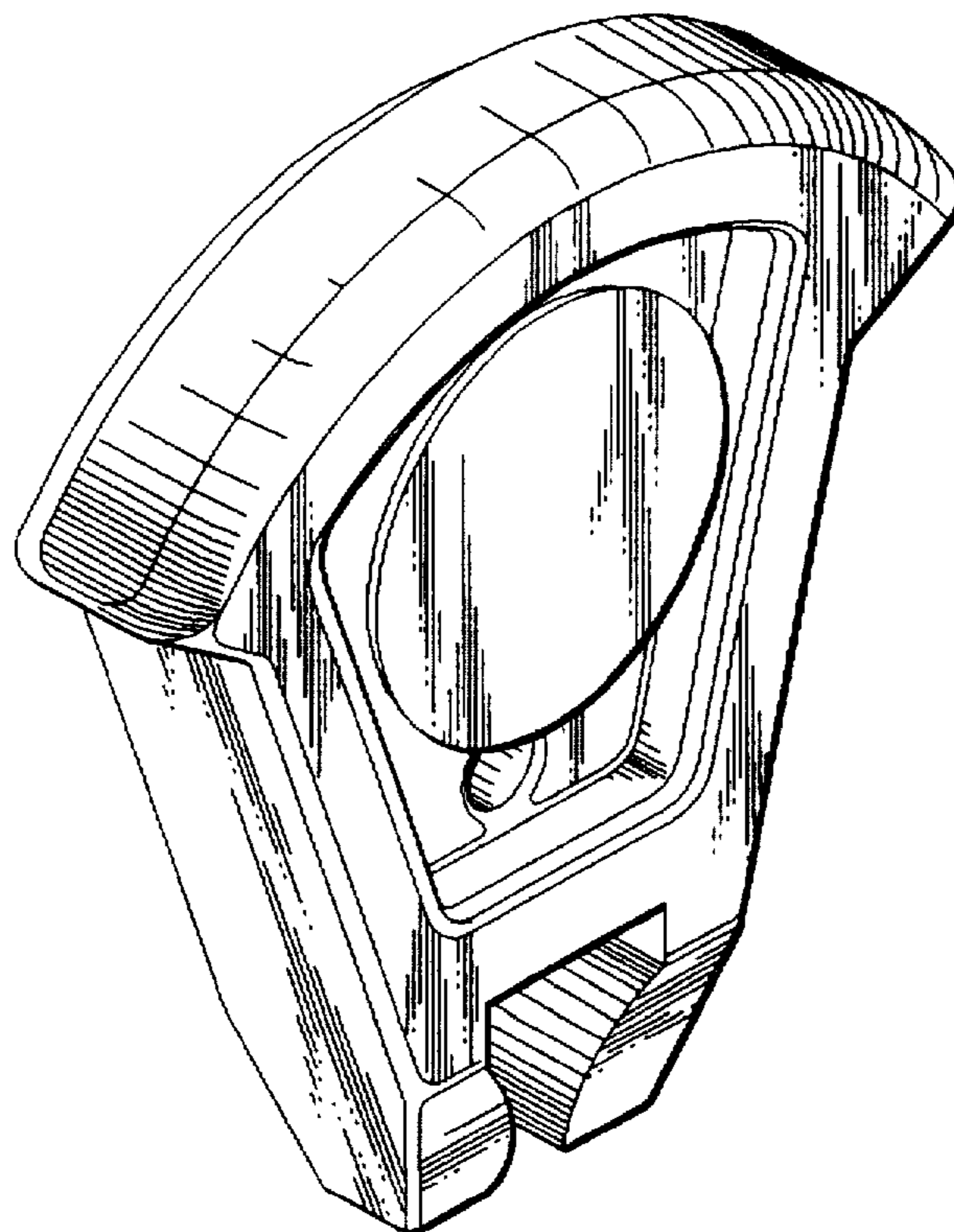
[57] **CLAIM**

The ornamental design for a golf tee tool, as shown and described.

DESCRIPTION

FIG. 1 is a top, side and front perspective view of a golf tee tool showing my new design;
FIG. 2 is a front elevational view thereof;
FIG. 3 is a side elevational view thereof taken from the left side in FIG. 2;
FIG. 4 is a side elevational view thereof taken from the right side in FIG. 2;
FIG. 5 is a top plan view thereof;
FIG. 6 is an rear elevational view thereof; and,
FIG. 7 is a bottom plan view thereof.

1 Claim, 2 Drawing Sheets



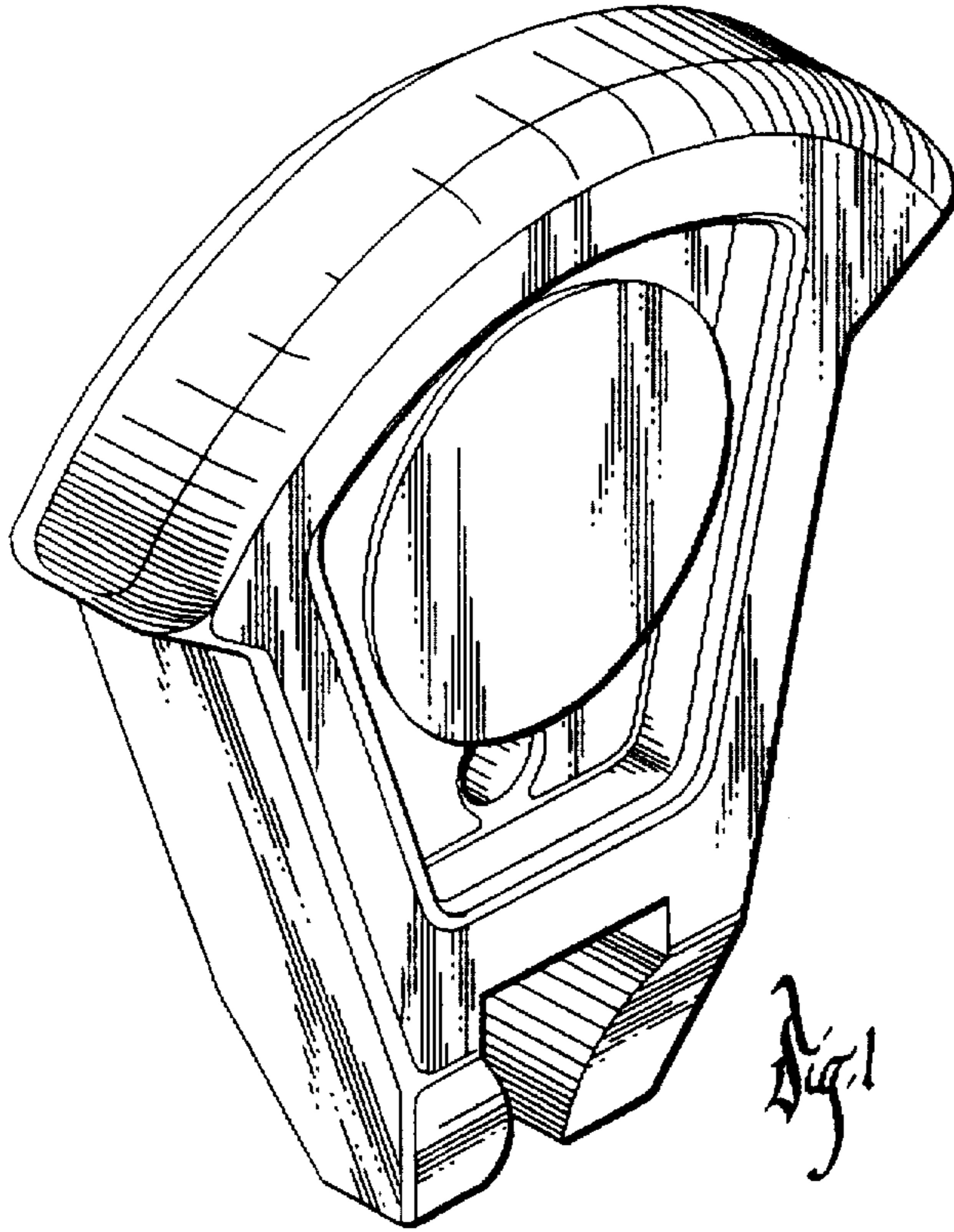


Fig. 1

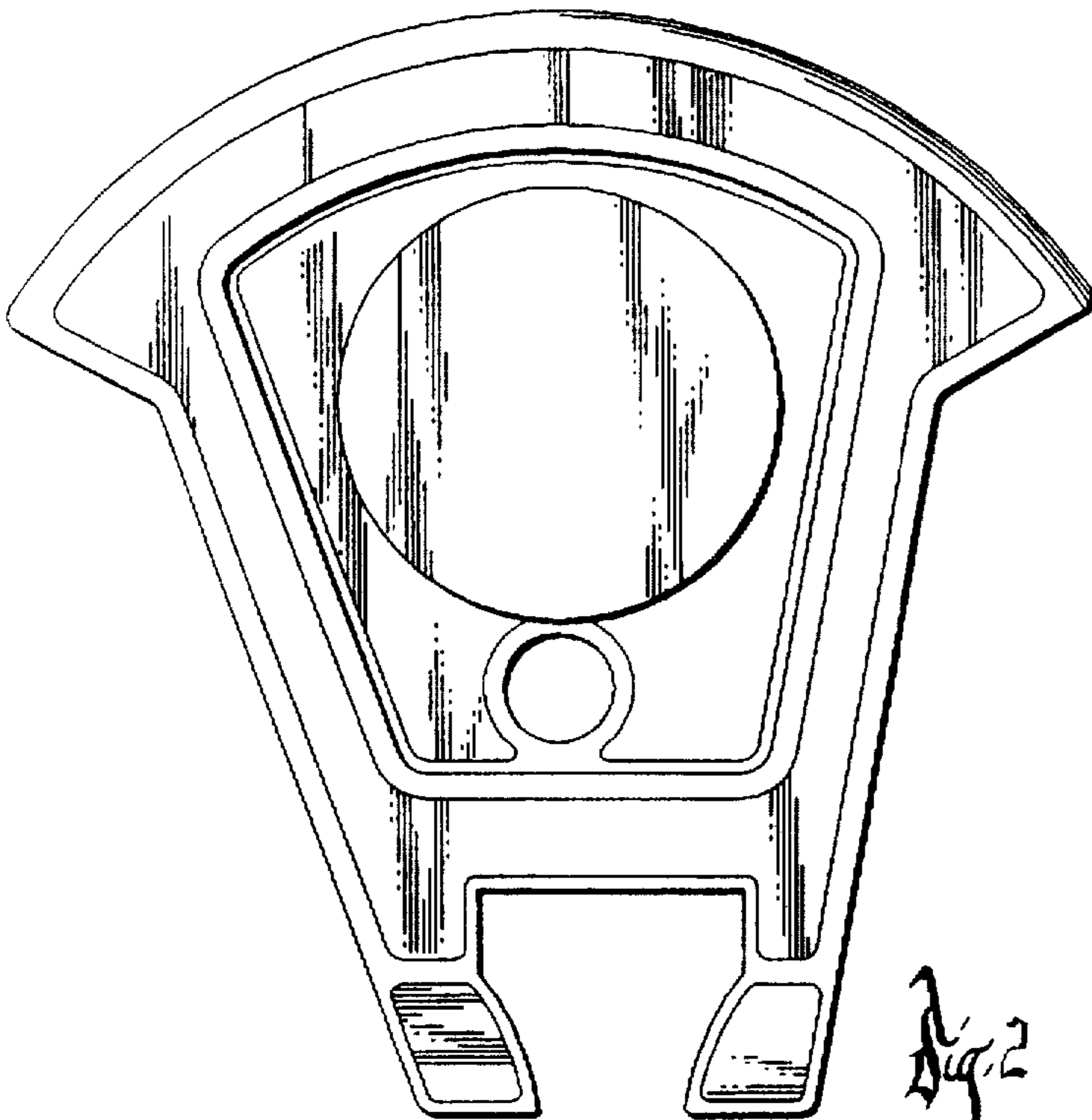


Fig. 2

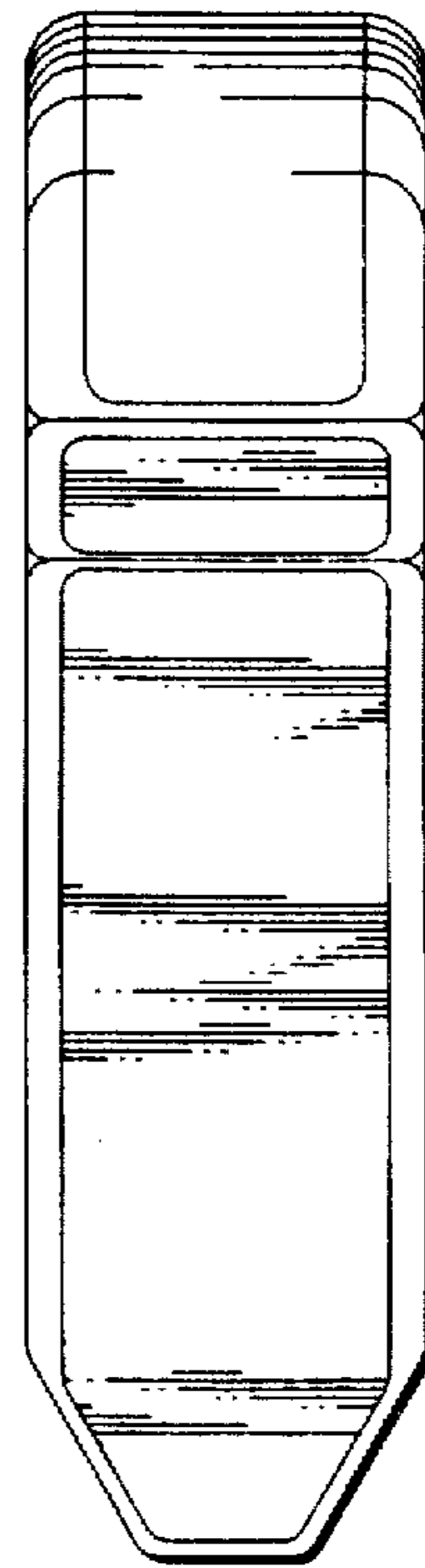


Fig. 3

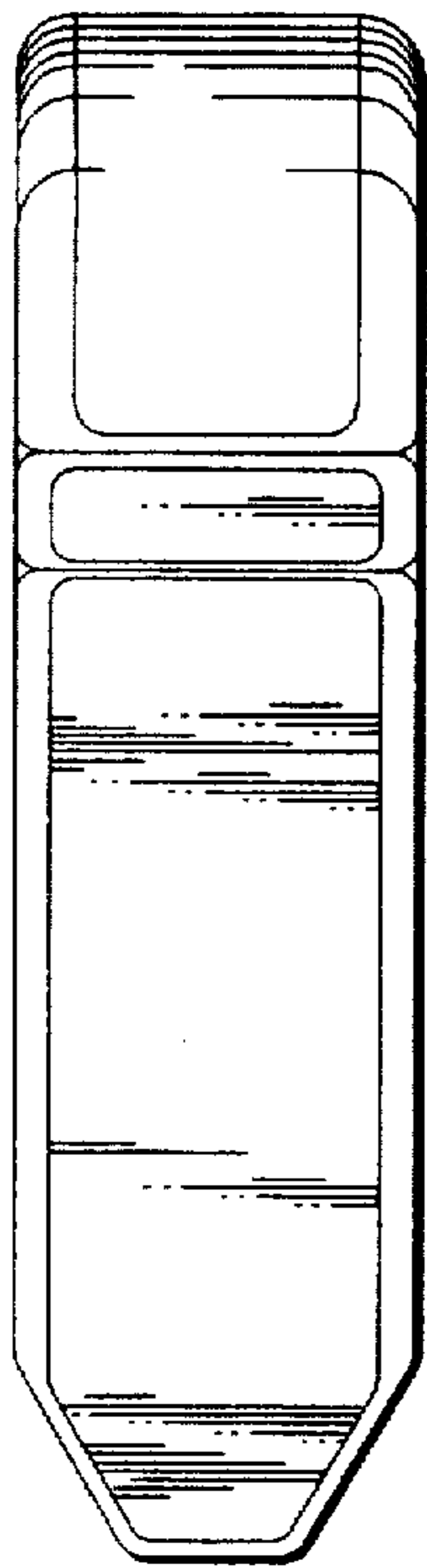


Fig. 4

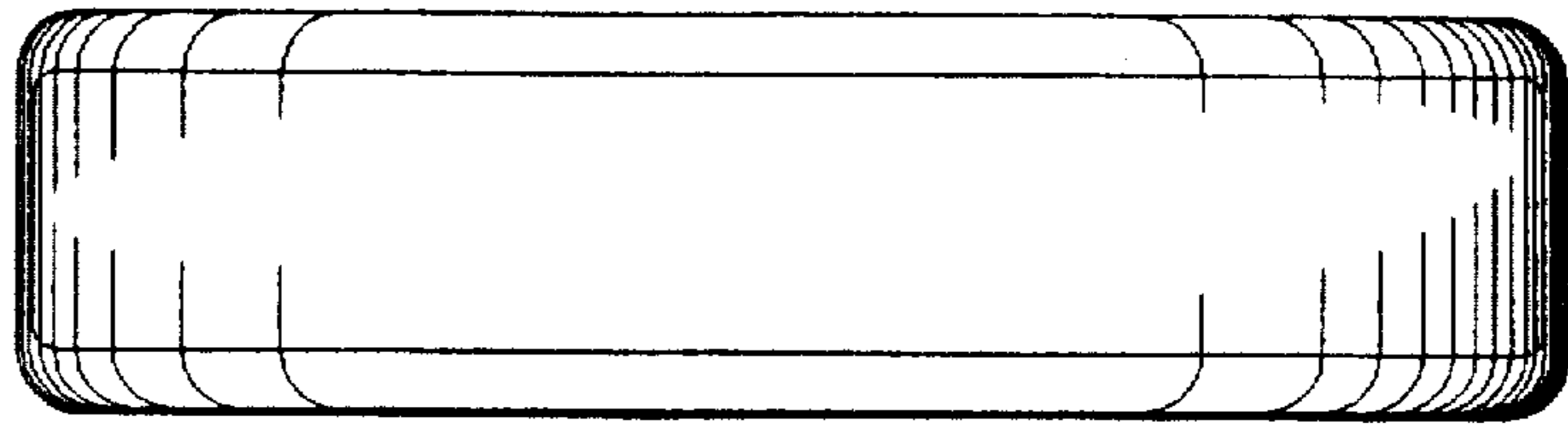


Fig. 5

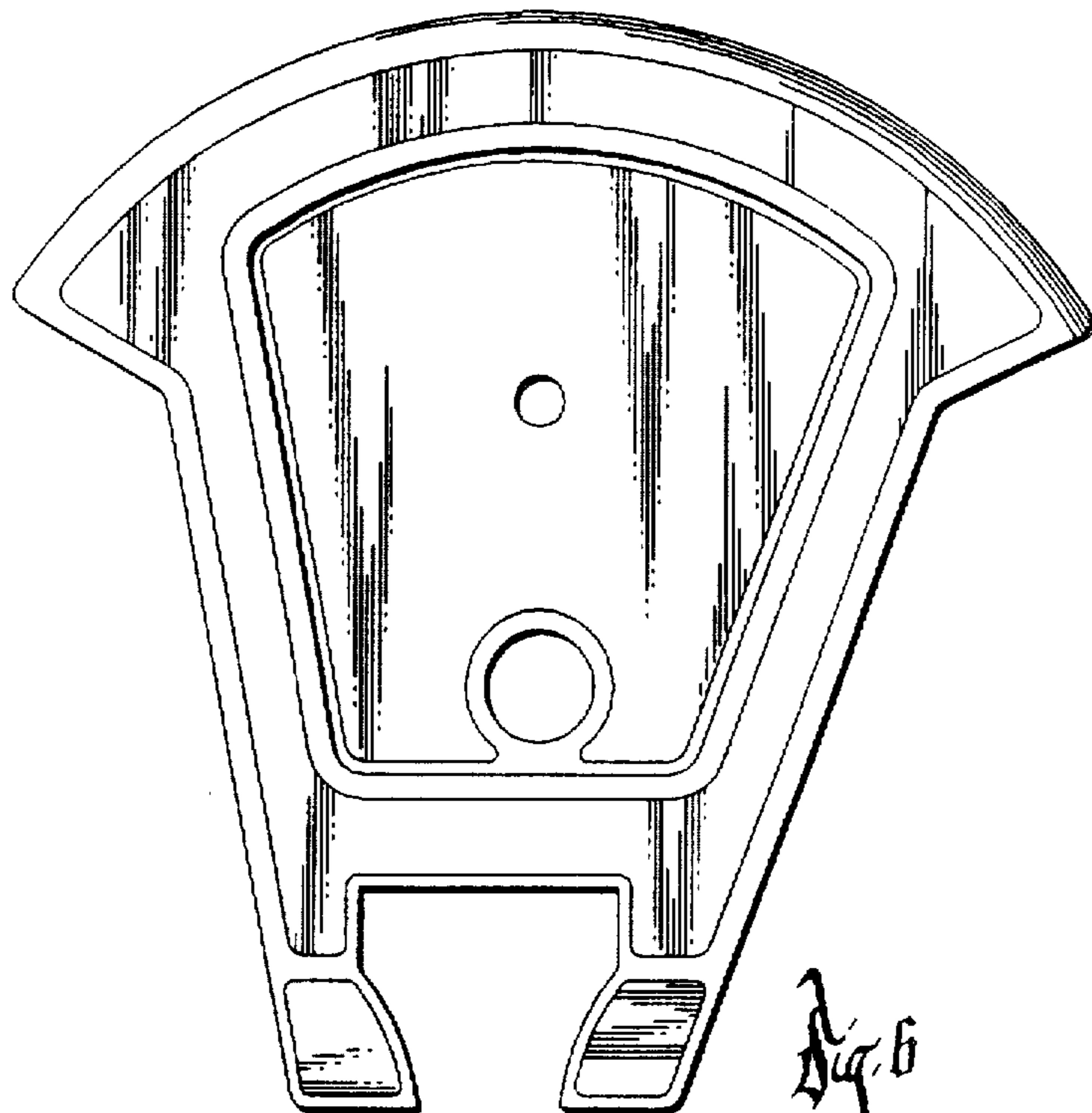


Fig. 6

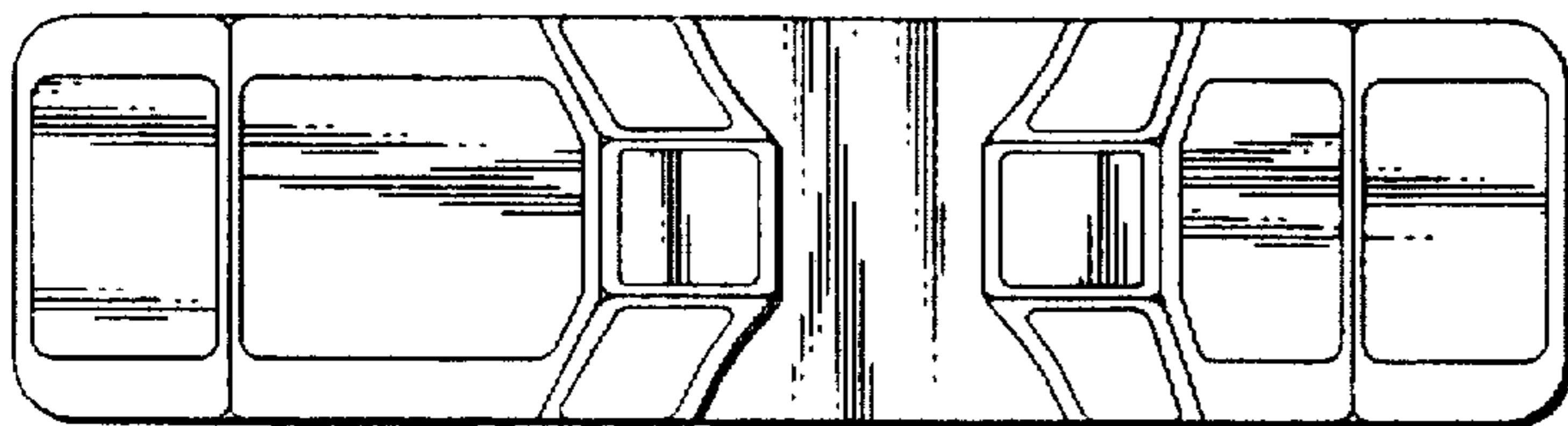


Fig. 7