



US00D396084S

# United States Patent [19]

[11] Patent Number: Des. 396,084

Laberge et al.

[45] Date of Patent: \*\*Jul. 14, 1998

[54] **SKATE BLADE ASSEMBLY**

[75] Inventors: **M. Raymond Laberge**, Montreal; **F. Kenneth Hall**, Beaconsfield, both of Canada

[73] Assignee: **TropSport Acquisitions Inc.**, Lachine, Canada

[\*\*] Term: **14 Years**

[21] Appl. No.: **71,652**

[22] Filed: **Jun. 5, 1997**

[30] **Foreign Application Priority Data**

Apr. 17, 1997 [CA] Canada ..... 1997-0936

[51] **LOC (6) Cl.** ..... **21-02**

[52] **U.S. Cl.** ..... **D21/225**

[58] **Field of Search** ..... **D21/224-231;**  
280/11.18, 11.12

[56] **References Cited**

**U.S. PATENT DOCUMENTS**

D. 250,490	12/1978	Baikie et al.	.....	D21/225
D. 325,416	4/1992	Olsen et al.	.....	D21/225
4,218,069	8/1980	Baikie	.....	280/11.18
4,336,948	6/1982	Couture	.....	280/11.18
5,332,242	7/1994	Cann et al.	.....	280/11.18
5,484,148	1/1996	Olivieri	.....	280/11.18
5,641,169	6/1997	Bekessy	.....	280/11.18

*Primary Examiner*—Raphael Barkai

*Attorney, Agent, or Firm*—Ronald S. Kosie; Robert Brouillette

[57] **CLAIM**

The ornamental design for a skate blade assembly, as shown.

**DESCRIPTION**

FIG. 1 is a perspective view of the skate blade assembly;

FIG. 2 is a side elevation view of the skate blade assembly; FIG. 3 is the opposite side elevation view of the skate blade assembly as shown in FIG. 2;

FIG. 4 is a top plan view of the skate blade assembly; FIG. 5 is a bottom plan view of the skate blade assembly; FIG. 6 is a front elevation view of the skate blade assembly; FIG. 7 is a rear elevation view of the skate blade assembly; FIG. 8 is a cross sectional view along cut line 8—8 of FIG. 2;

FIG. 9 is a perspective side view of a modified embodiment of the design shown in FIGS. 1-8;

FIG. 10 is a side elevational view thereof; FIG. 11 is the opposite side elevational view thereof;

FIG. 12 is a top plan view thereof; FIG. 13 is a bottom plan view thereof;

FIG. 14 is a front elevational view thereof; FIG. 15 is a rear elevational view thereof;

FIG. 16 is a cross sectional view along cut line 16—16 of FIG. 10;

FIG. 17 is perspective side view of a second modified embodiment of the design shown in FIGS. 1-8;

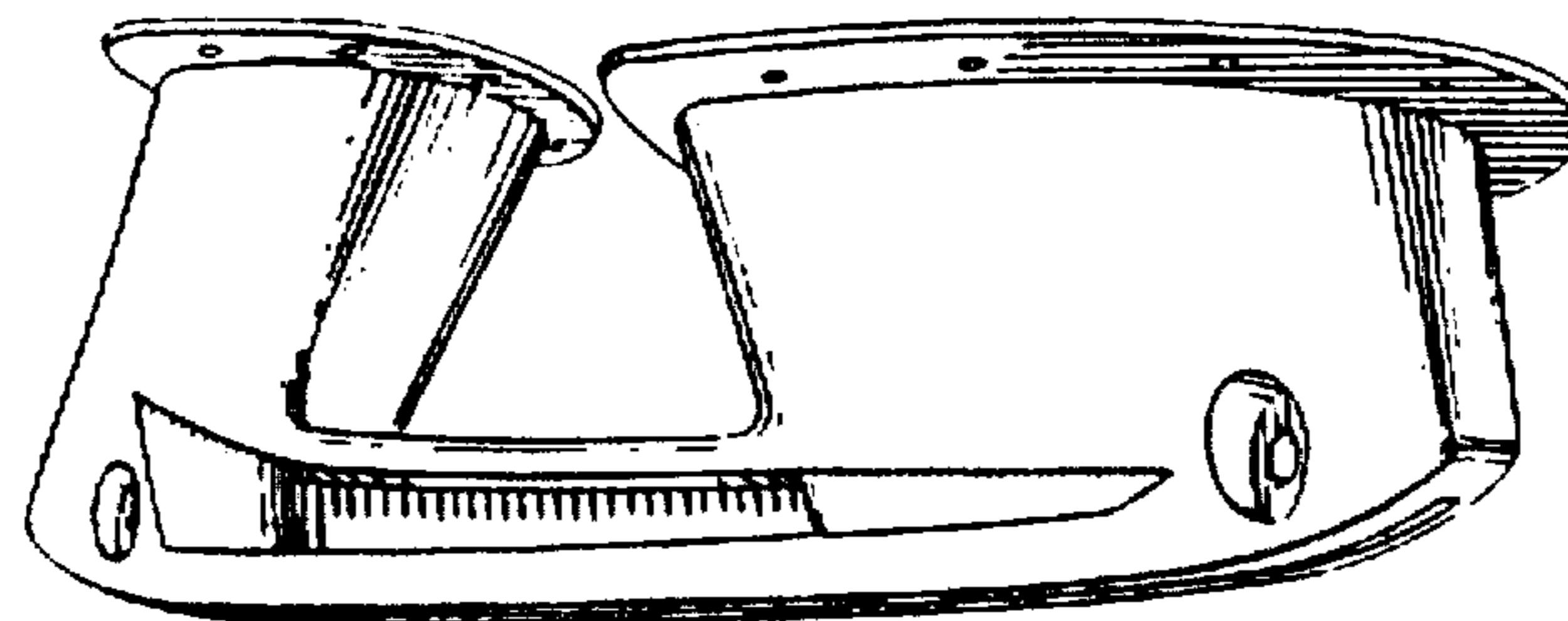
FIG. 18 is a side elevational view thereof; FIG. 19 is the opposite side elevational view thereof;

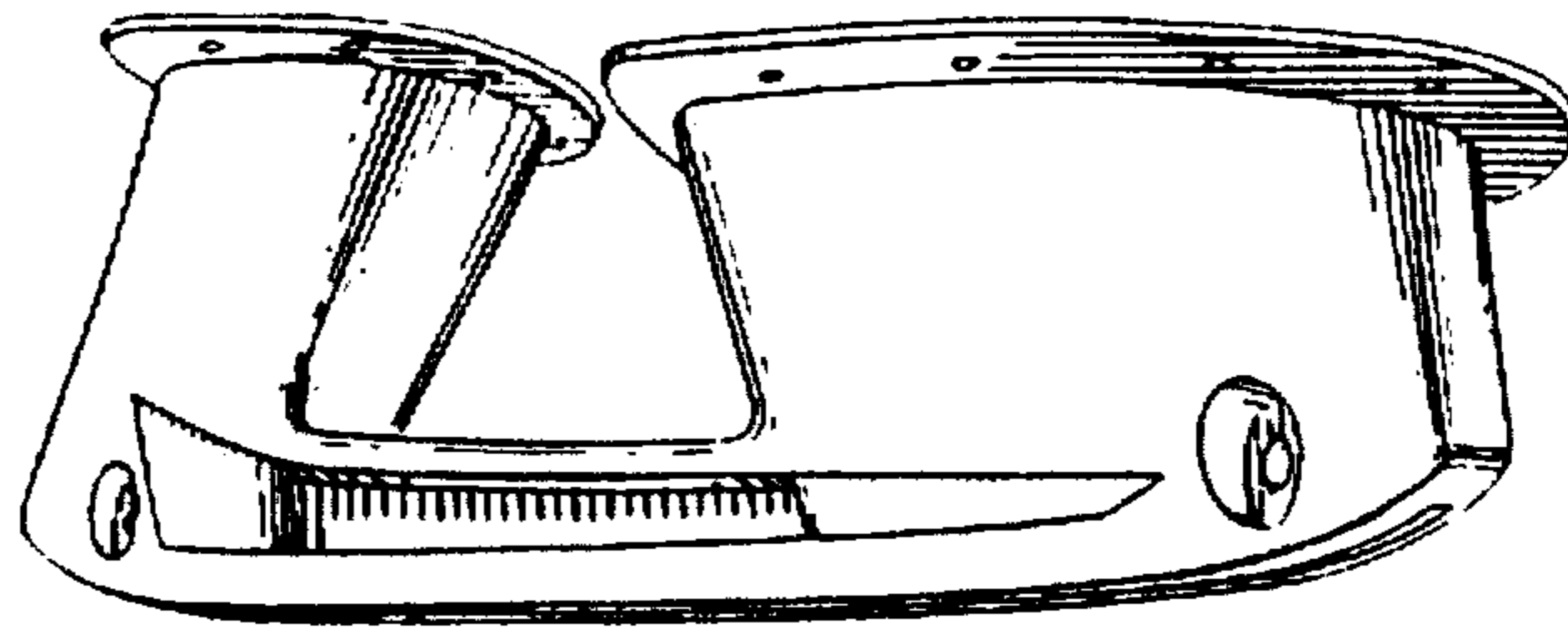
FIG. 20 is a top plan view thereof; FIG. 21 is a bottom plan view thereof;

FIG. 22 is a front elevational view thereof; FIG. 23 is a rear elevational view thereof; and

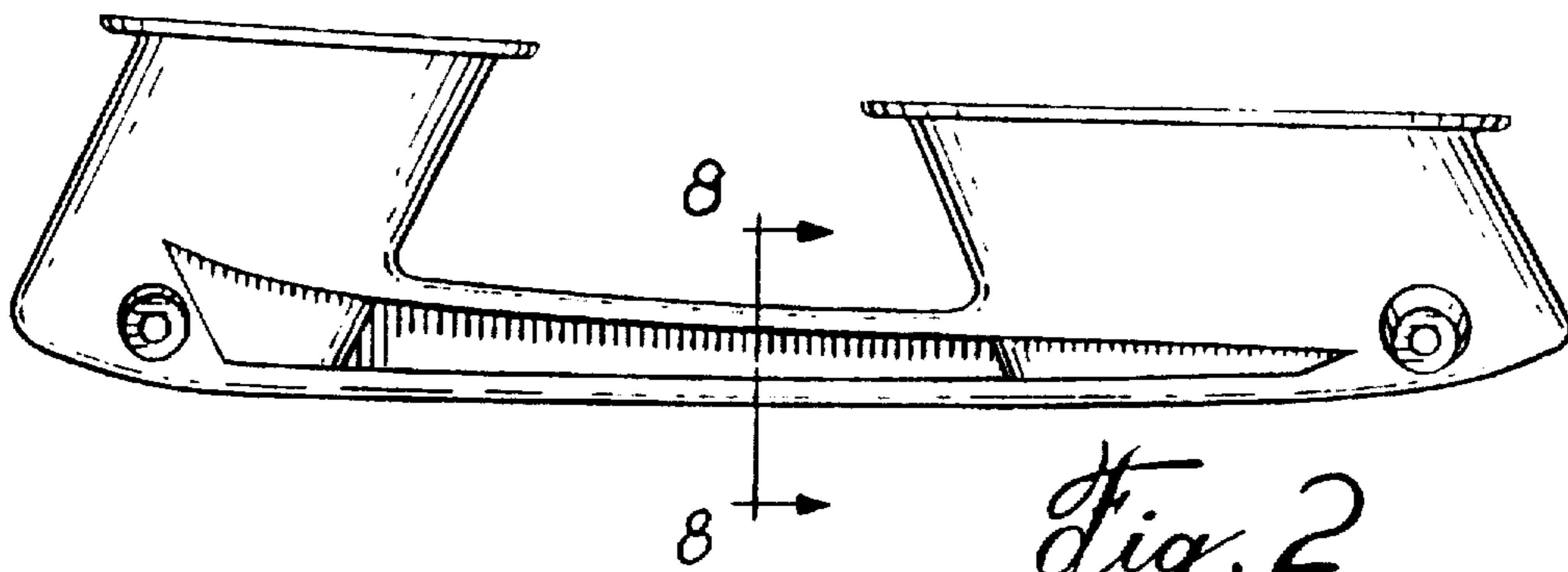
FIG. 24 is a cross sectional view along cut line 24—24 of FIG. 18.

**1 Claim, 6 Drawing Sheets**

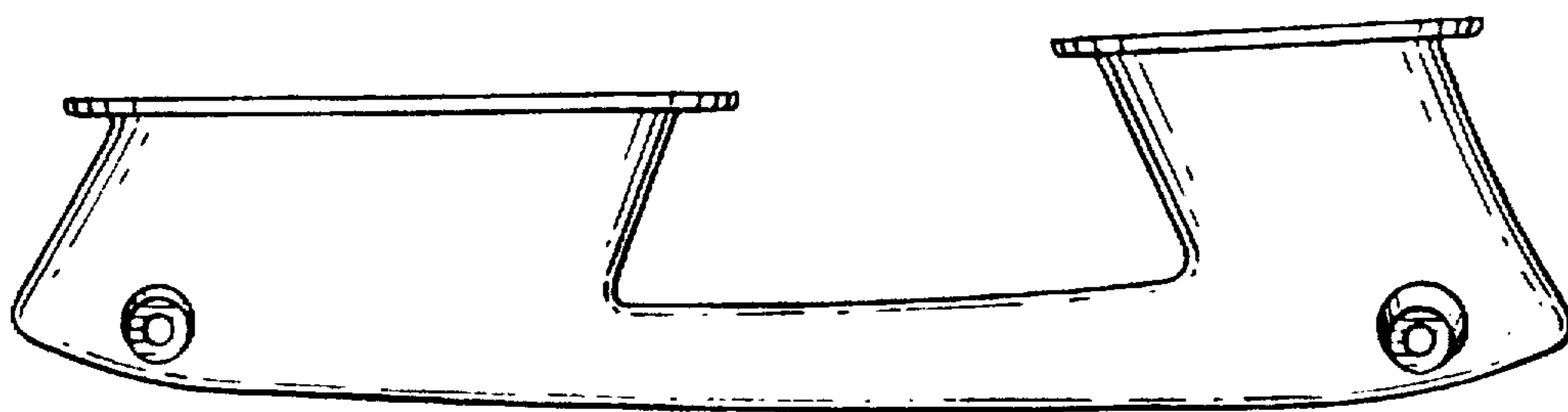




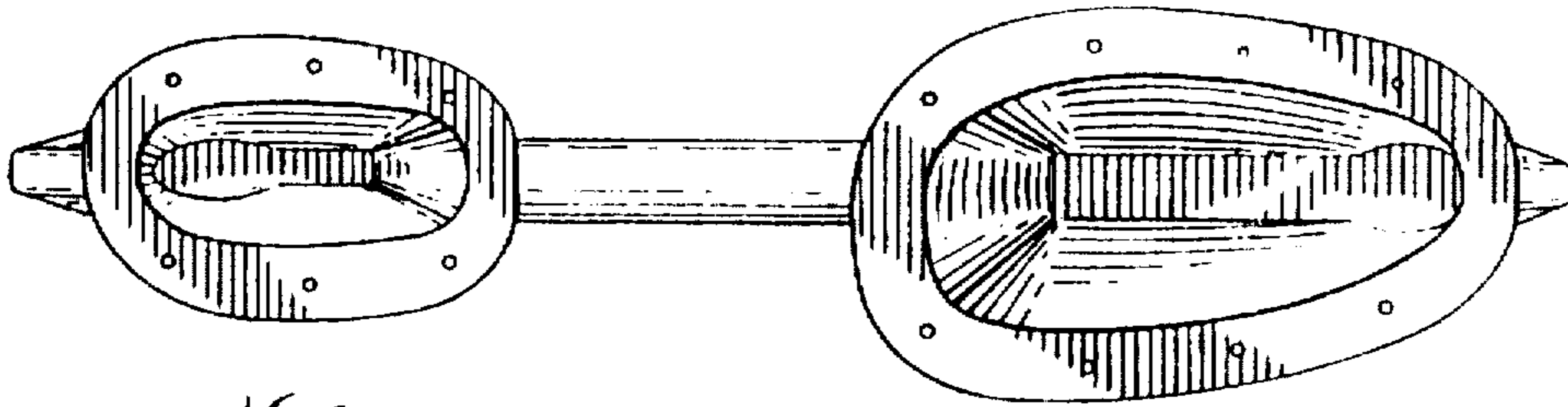
*Fig. 1*



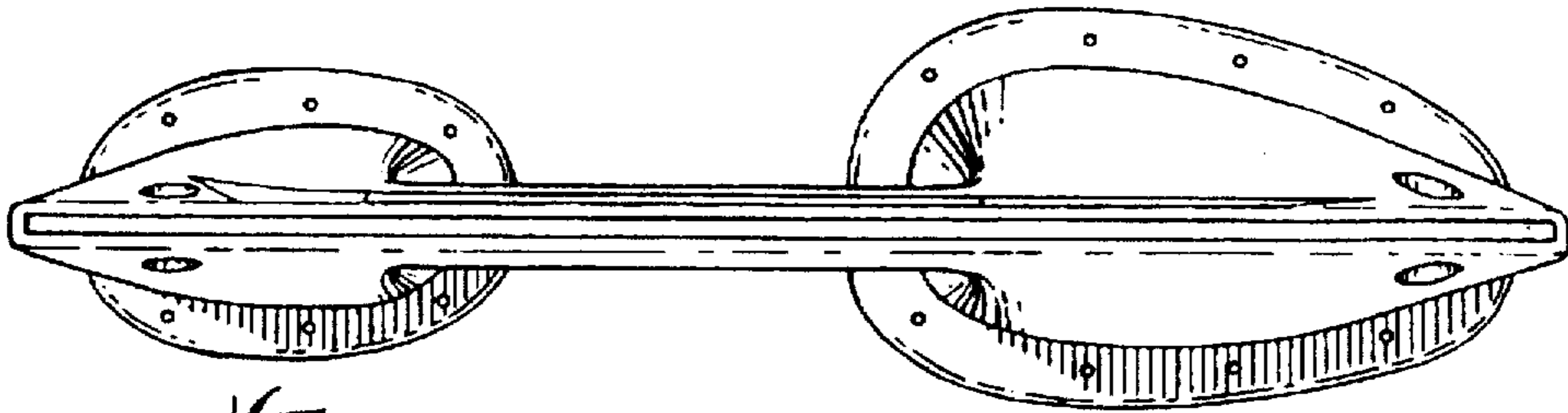
*Fig. 2*



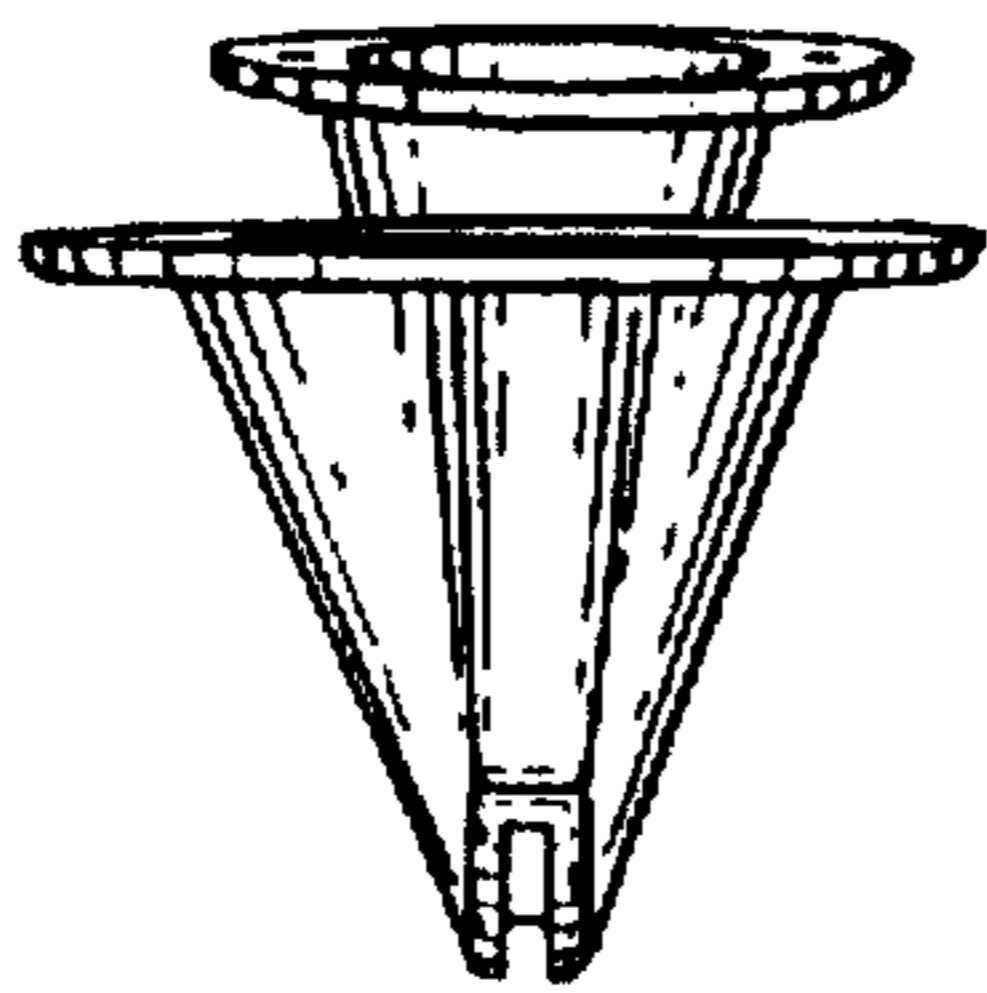
*Fig. 3*



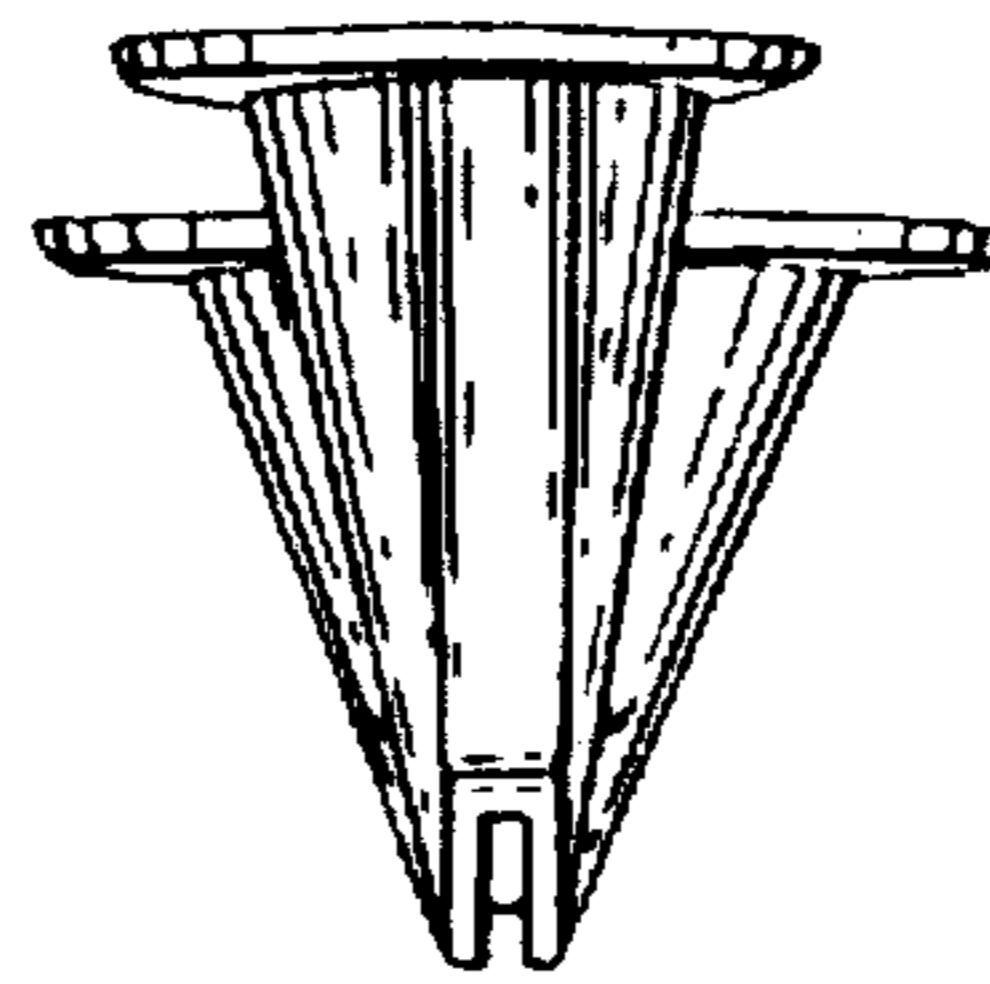
*Fig. 4*



*Fig. 5*

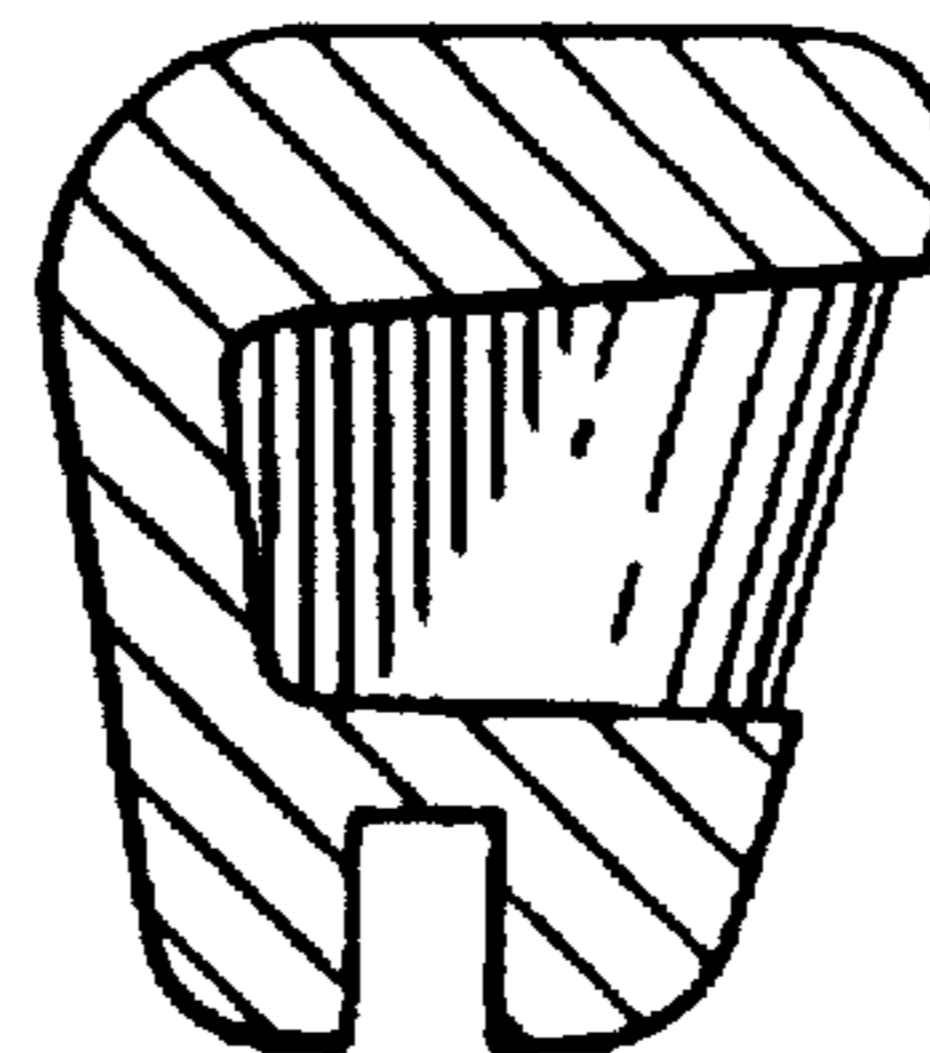


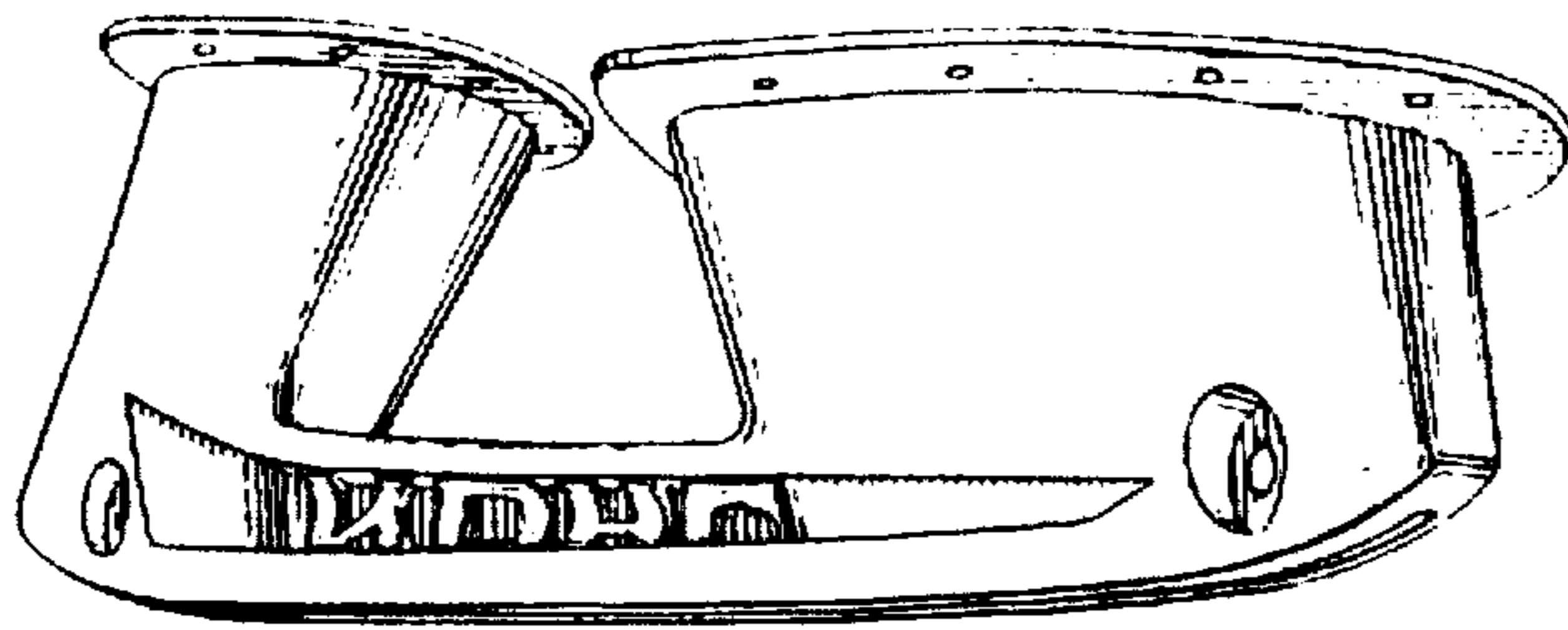
*Fig. 6*



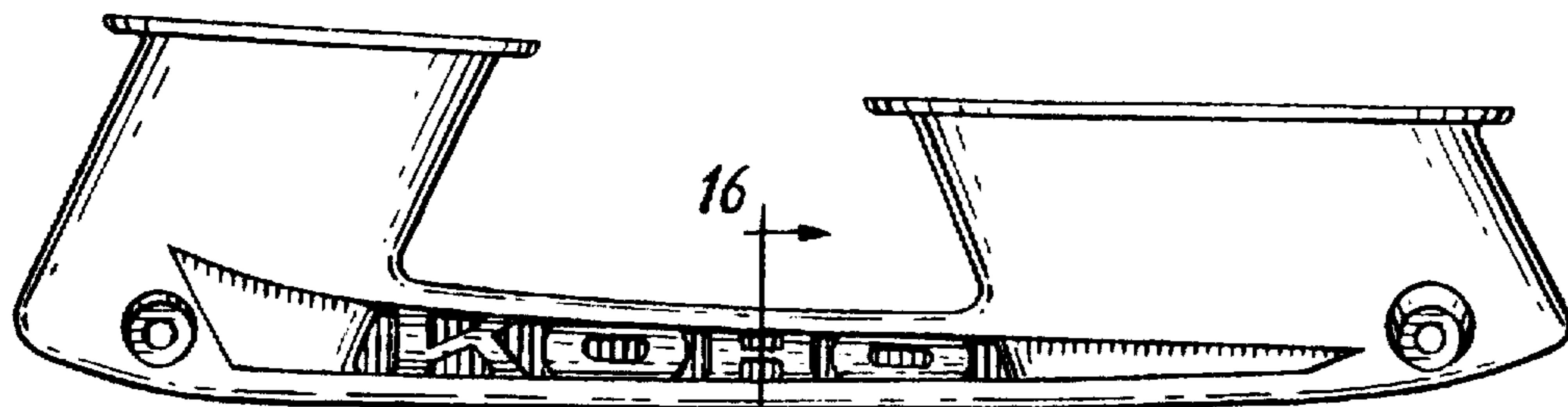
*Fig. 7*

*Fig. 8*

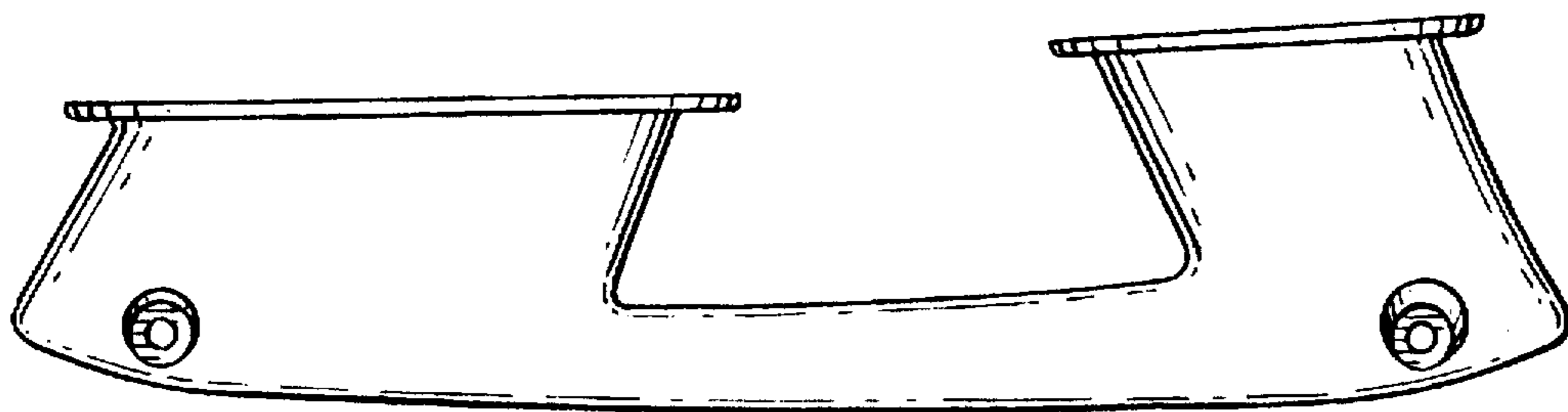




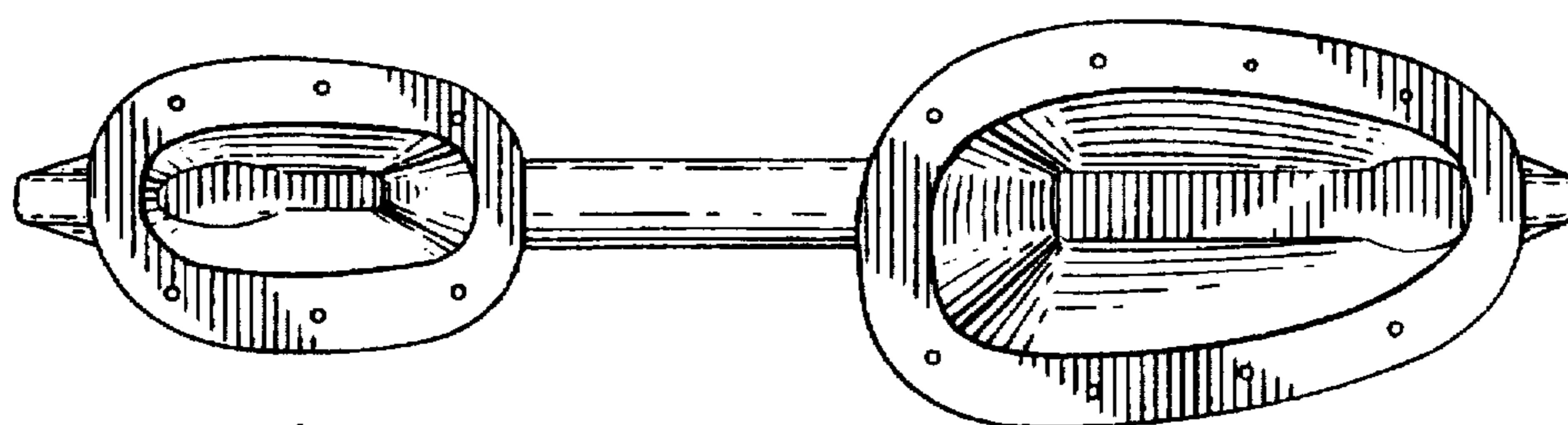
*Fig. 9*



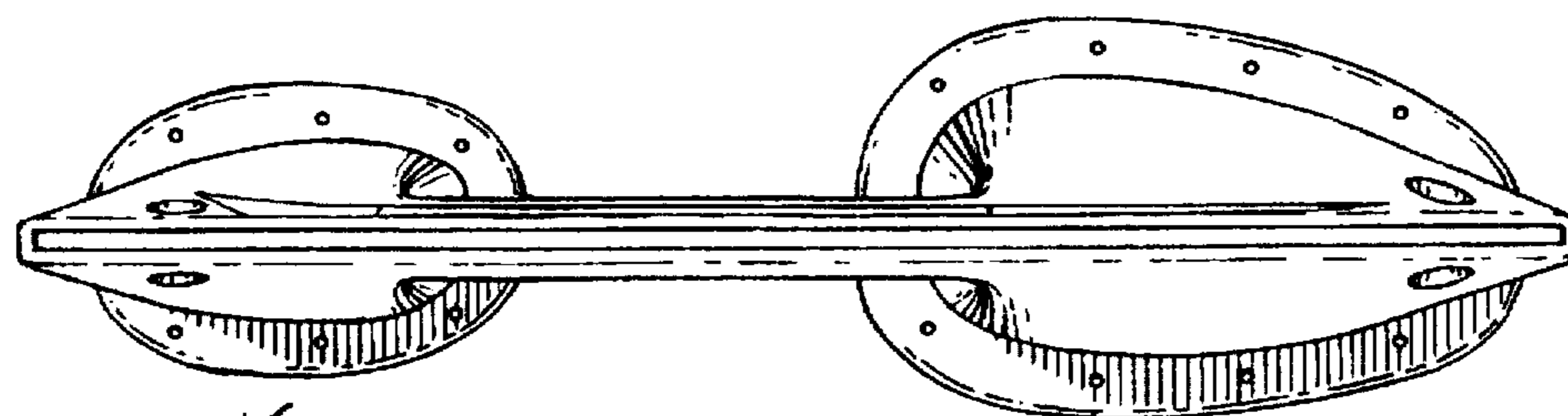
*Fig. 10*



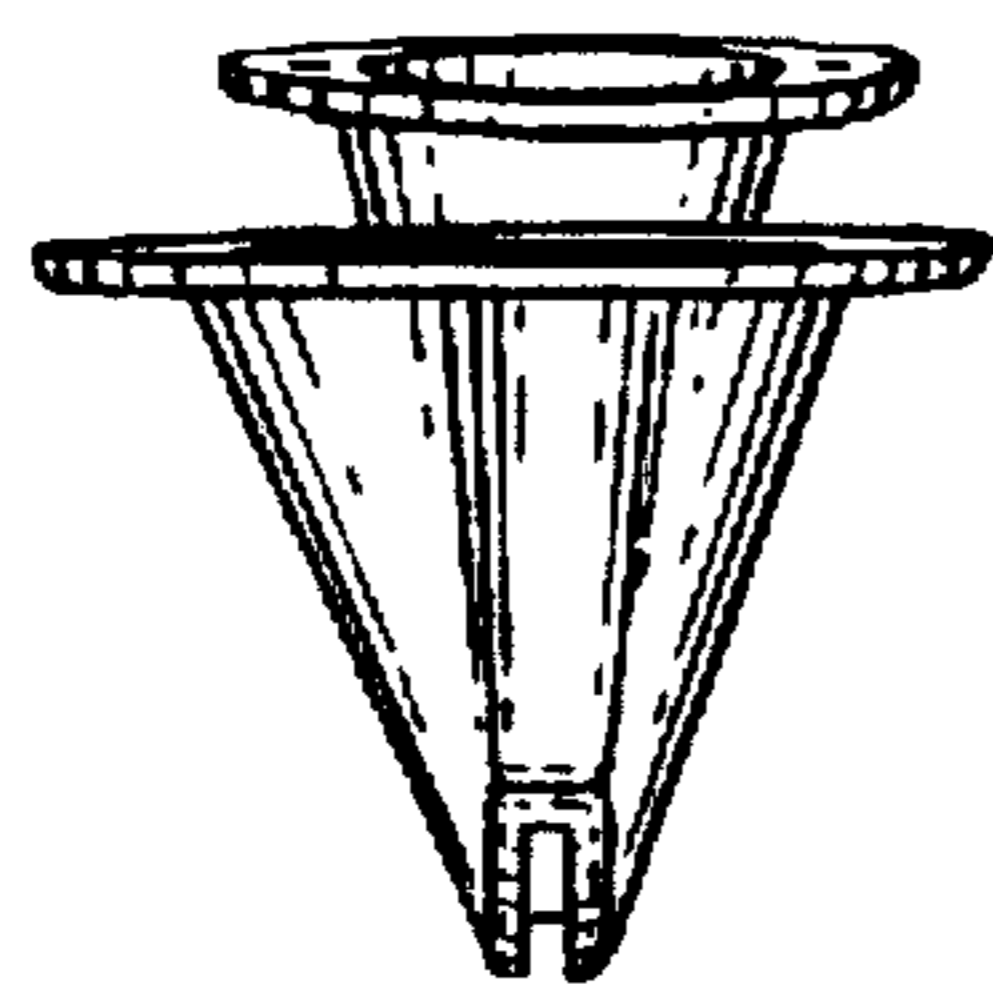
*Fig. 11*



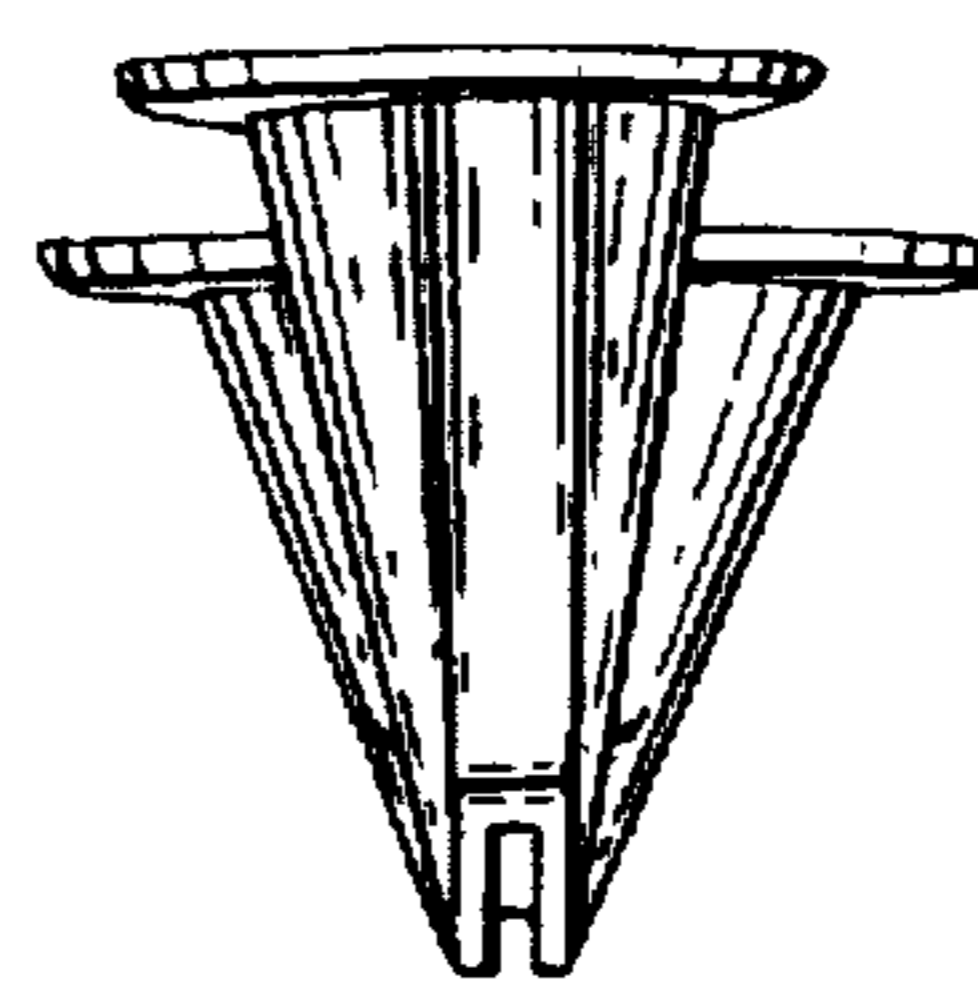
*Fig. 12*



*Fig. 13*

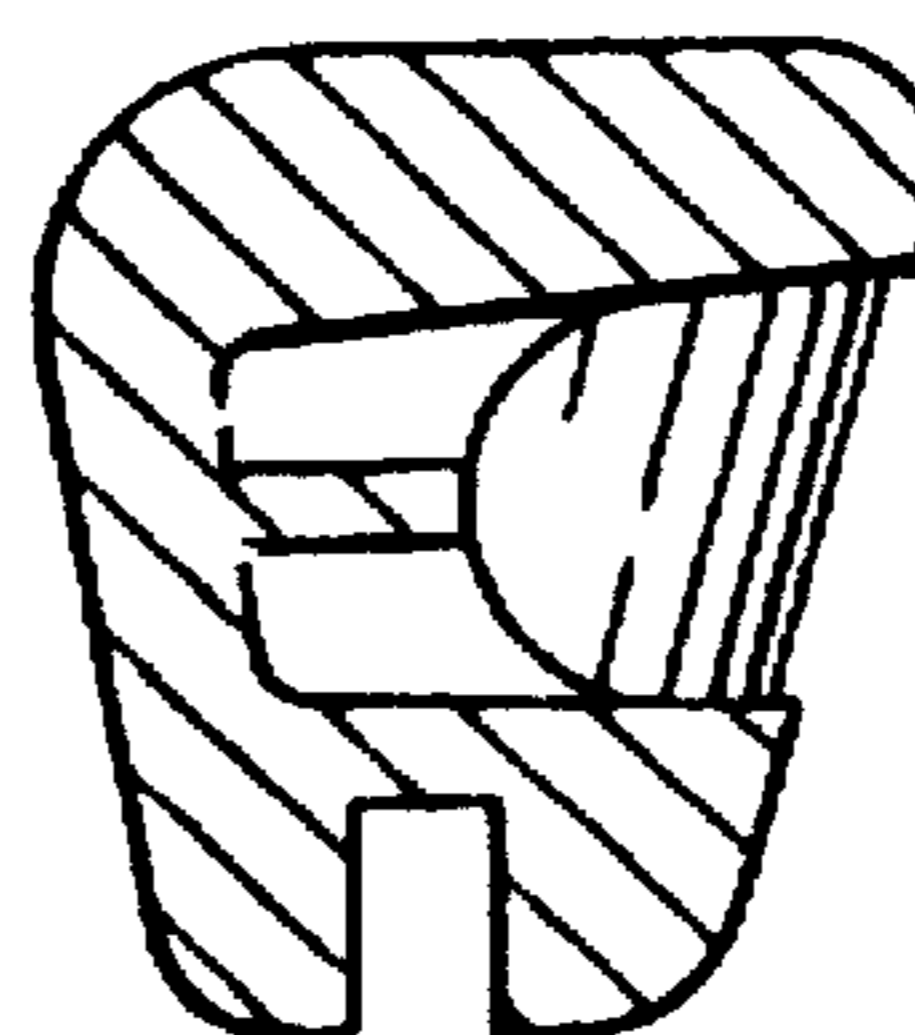


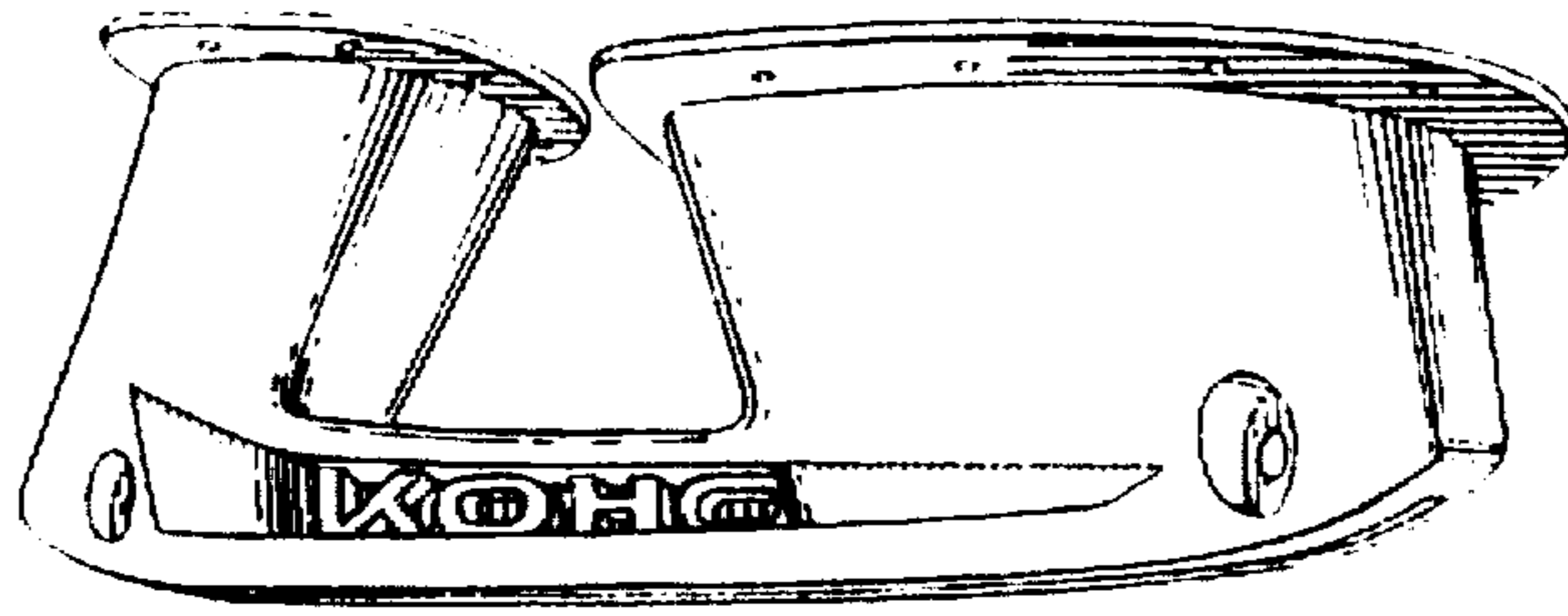
*Fig. 14*



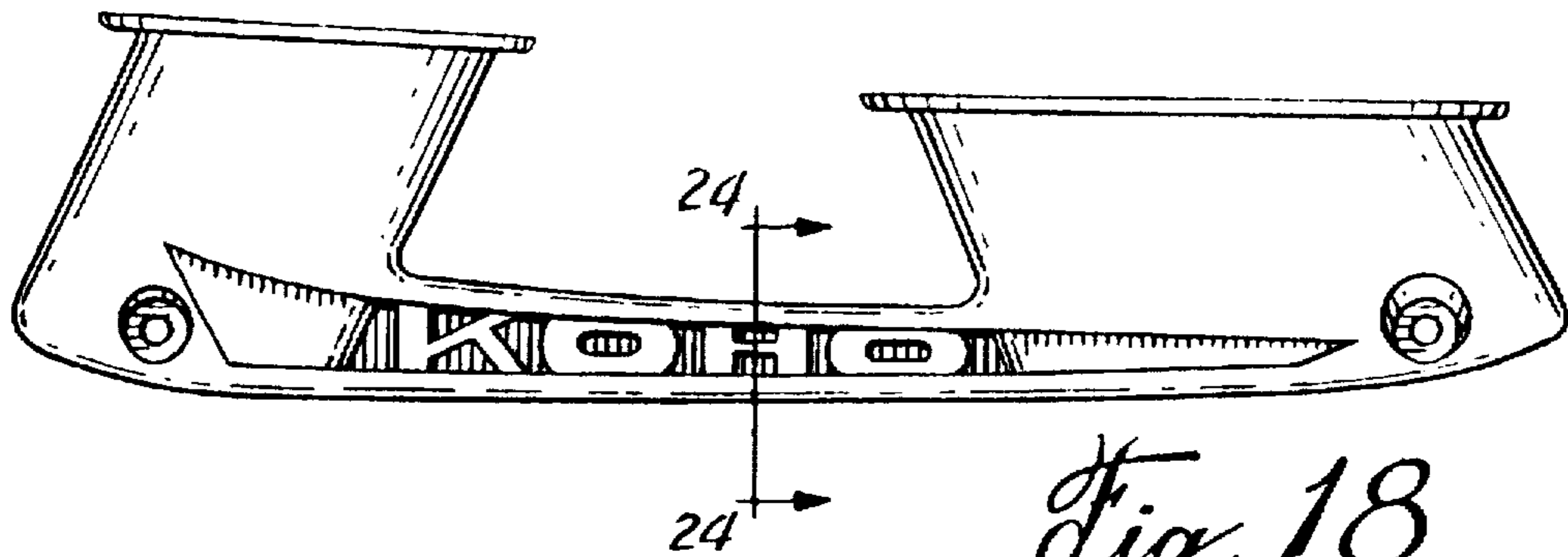
*Fig. 15*

*Fig. 16*

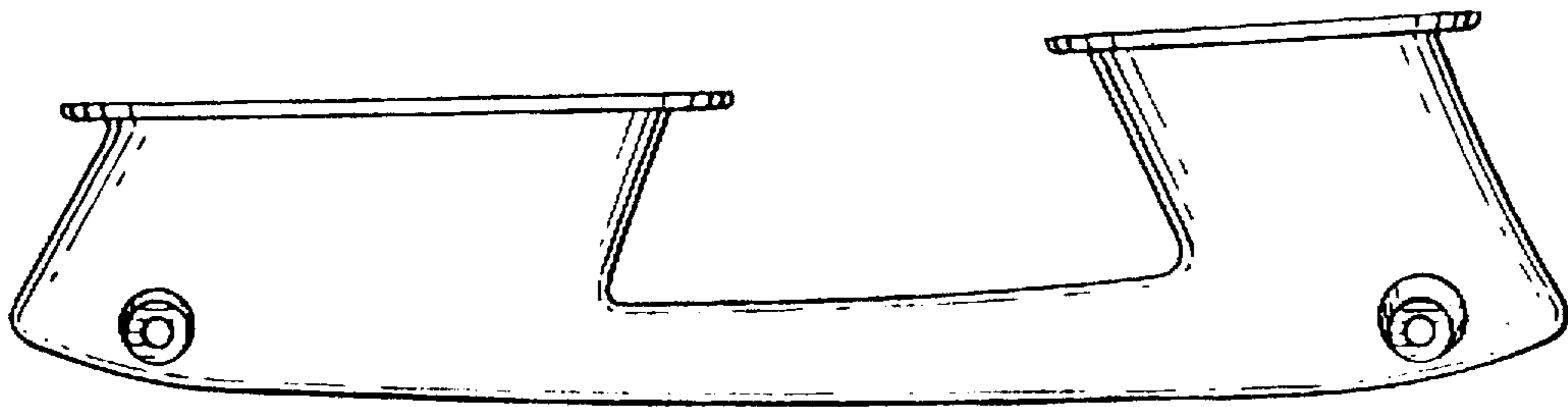




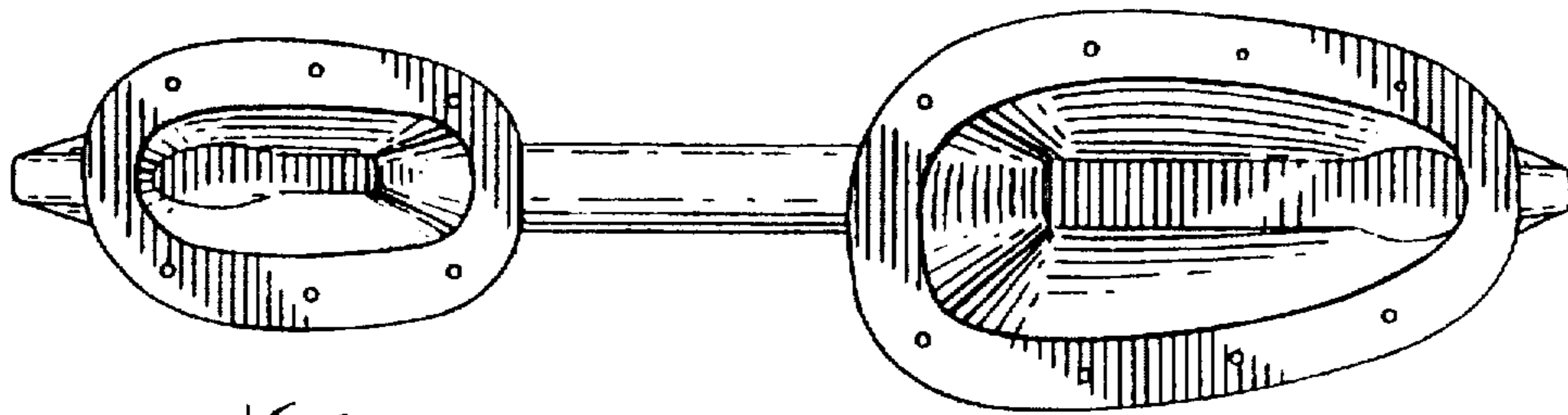
*Fig. 17*



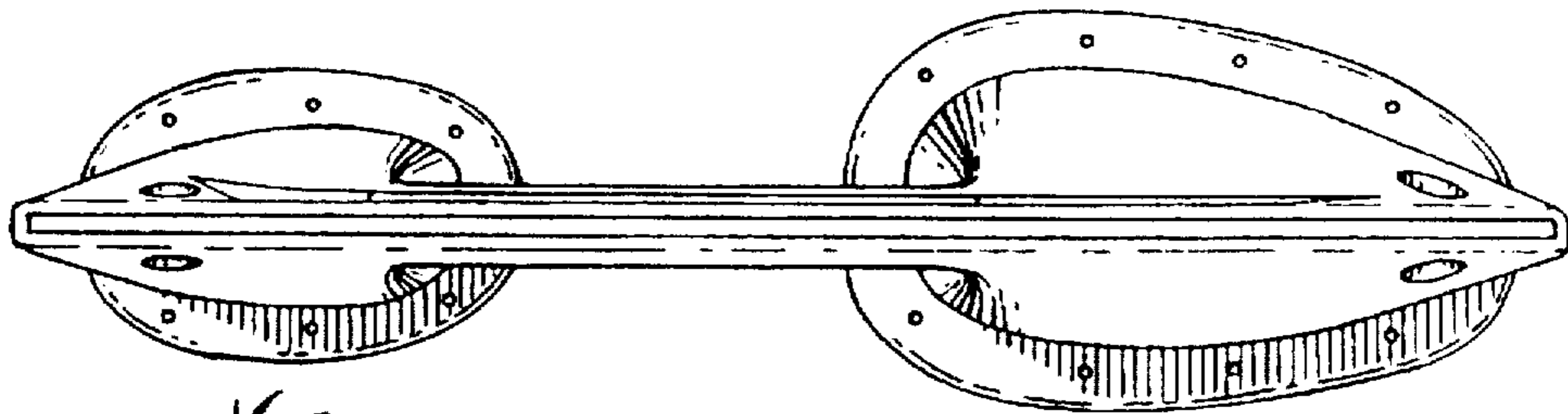
*Fig. 18*



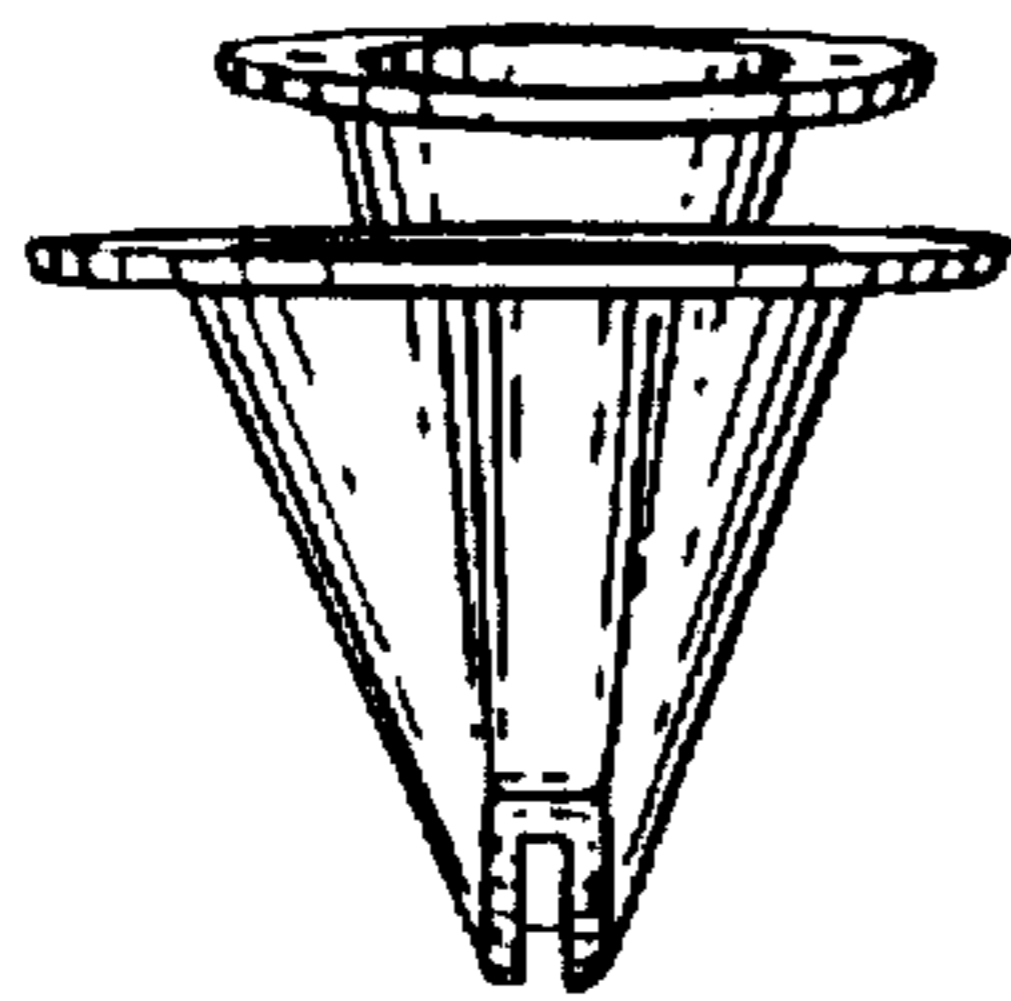
*Fig. 19*



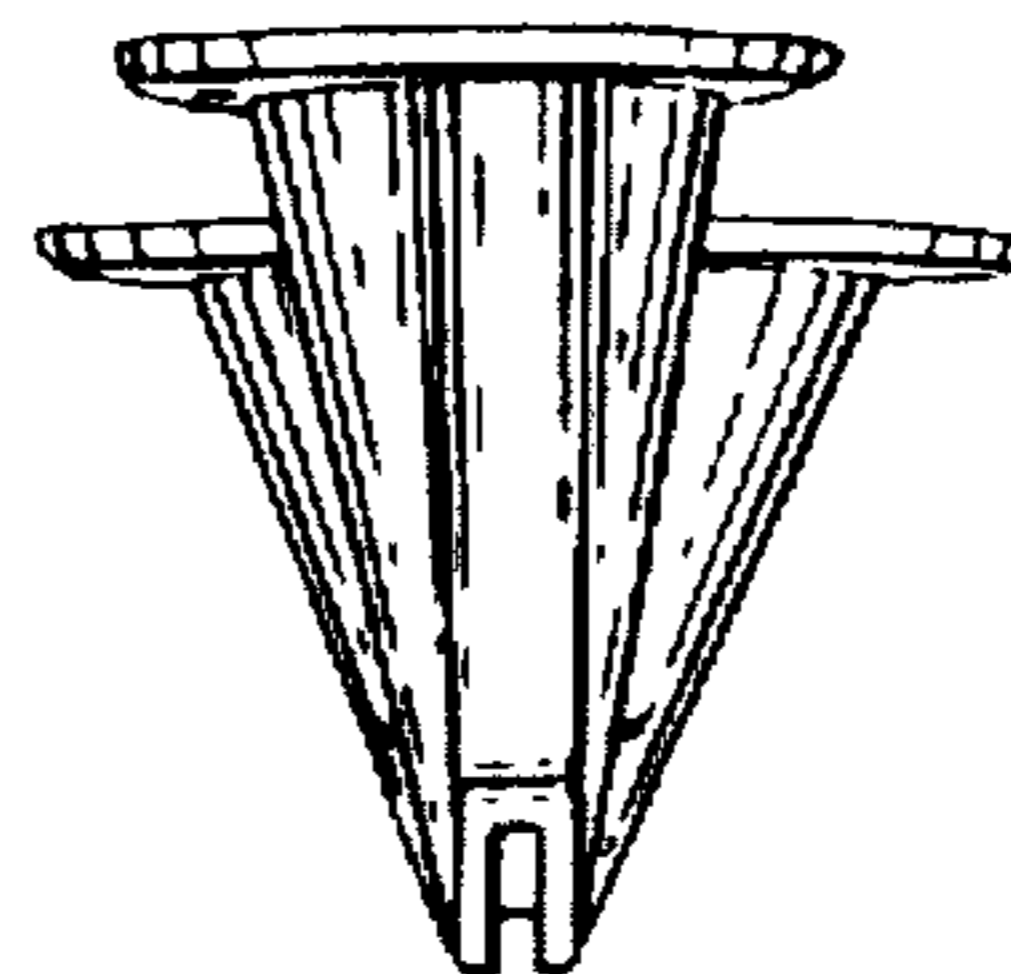
*Fig. 20*



*Fig. 21*



*Fig. 22*



*Fig. 23*

*Fig. 24*

