



US00D396078S

United States Patent [19]

Atashkarian et al.

[11] Patent Number: **Des. 396,078**

[45] Date of Patent: ****Jul. 14, 1998**

[54] **ABDOMINAL AND OBLIQUE MUSCLE EXERCISER**

[75] Inventors: **George Atashkarian**, Mill Valley, Calif.; **Mark A. Pacini**, Lauderhill, Fla.; **Jeffrey A. Smith**, Lauderhill, Fla.; **John D. Payne**, Lauderhill, Fla.

[73] Assignee: **Fitness Solutions, Inc.**, Fort Lauderdale, Fla.

[**] Term: **14 Years**

[21] Appl. No.: **69,902**

[22] Filed: **Apr. 3, 1997**

[51] LOC (6) Cl. **21-02**

[52] U.S. Cl. **D21/191**

[58] Field of Search D21/191, 192, D21/193, 195, 66; D6/333, 335, 348; 482/140, 141, 142, 96

[56] **References Cited**

U.S. PATENT DOCUMENTS

D. 321,386	11/1991	Reichman	D21/191
D. 348,491	7/1994	Diep	D21/191
D. 374,695	10/1996	Hatfield	D21/191
1,244,371	10/1917	Reynolds	.	
2,563,407	8/1951	Haims	.	

4,228,999	10/1980	Armstrong	.	
4,241,949	12/1980	Parker	.	
4,489,936	12/1984	Dal Monte	.	
4,752,067	6/1988	Colonello	.	
4,902,003	2/1990	Buoni	482/140
4,919,481	4/1990	Garabedian	482/140
5,033,742	7/1991	Johnson et al.	482/140
5,147,267	9/1992	Kunewalder	482/142
5,346,447	9/1994	Stearns	482/96
5,545,114	8/1996	Gvoich	482/123
5,665,041	9/1997	Hsieh	482/123

Primary Examiner—Philip S. Hyder
Attorney, Agent, or Firm—Richard M. Goldberg

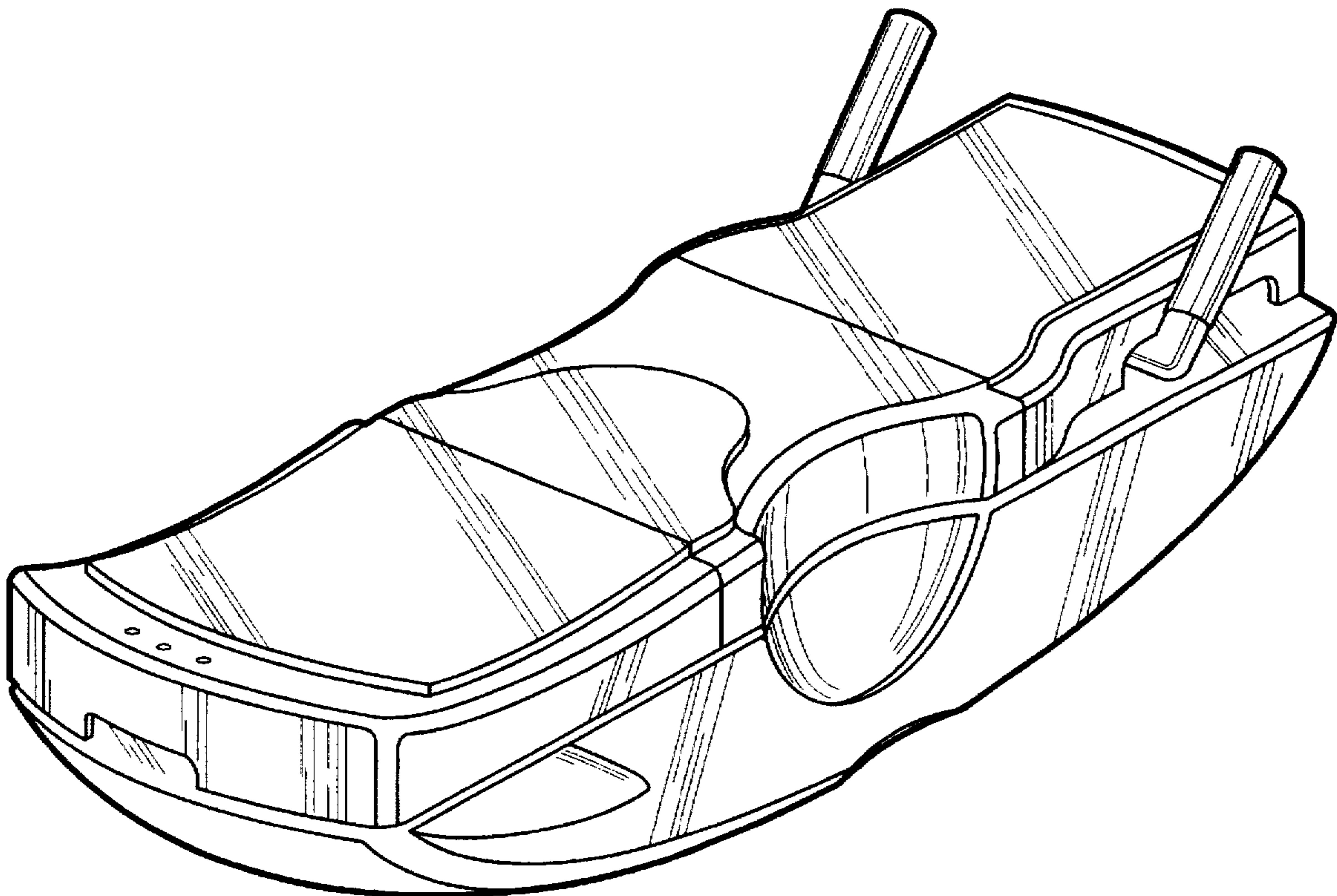
[57] **CLAIM**

The ornamental design for an abdominal and oblique muscle exerciser, as shown and described.

DESCRIPTION

FIG. 1 is a perspective view of the abdominal and oblique muscle exerciser of our design;
FIG. 2 is a top plan view thereof;
FIG. 3 is a bottom plan view thereof;
FIG. 4 is a front elevational view thereof;
FIG. 5 is a rear elevational view thereof; and,
FIG. 6 is a right side elevational view thereof, with the left side elevational view being a mirror image thereof.

1 Claim, 6 Drawing Sheets



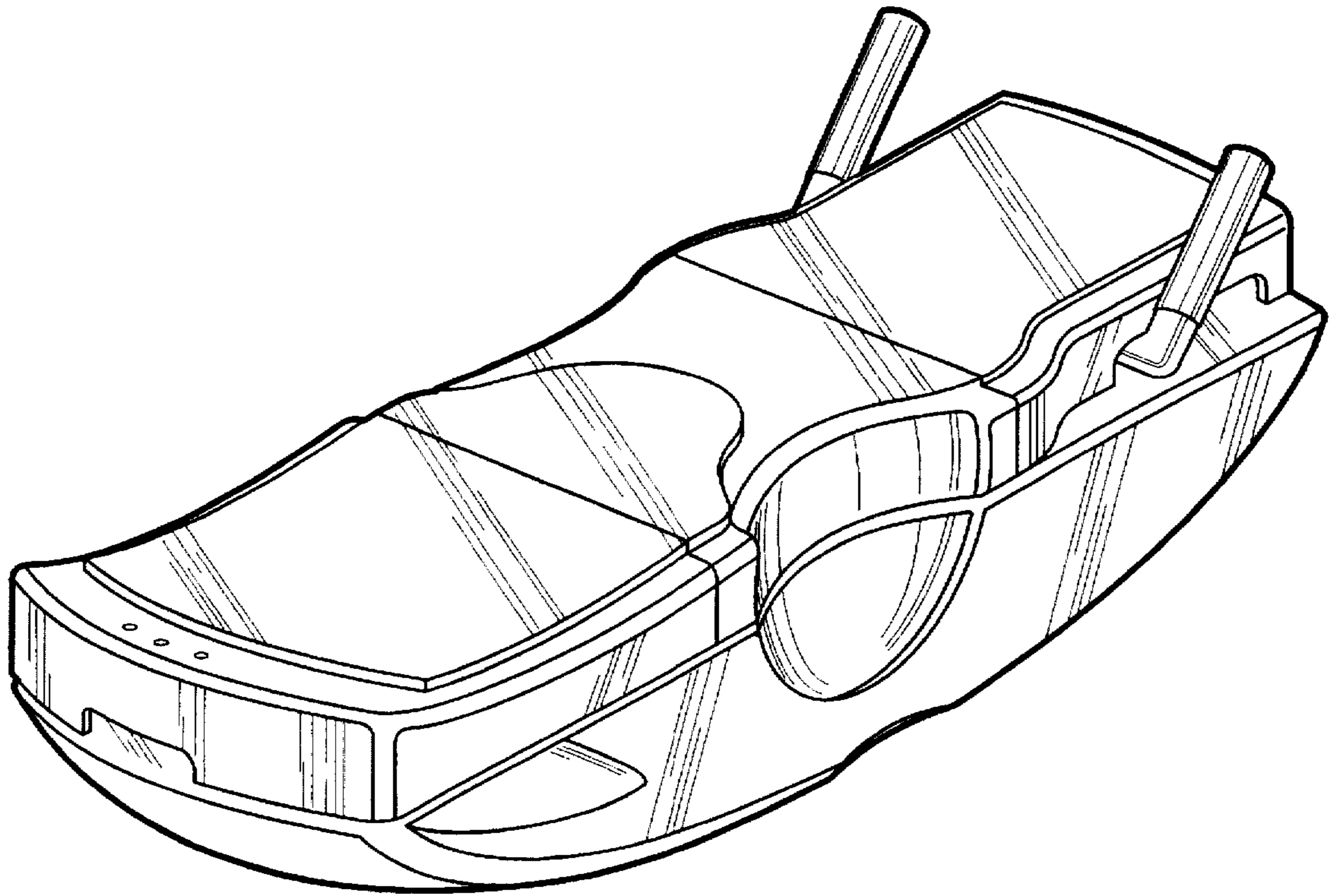


FIG. 1

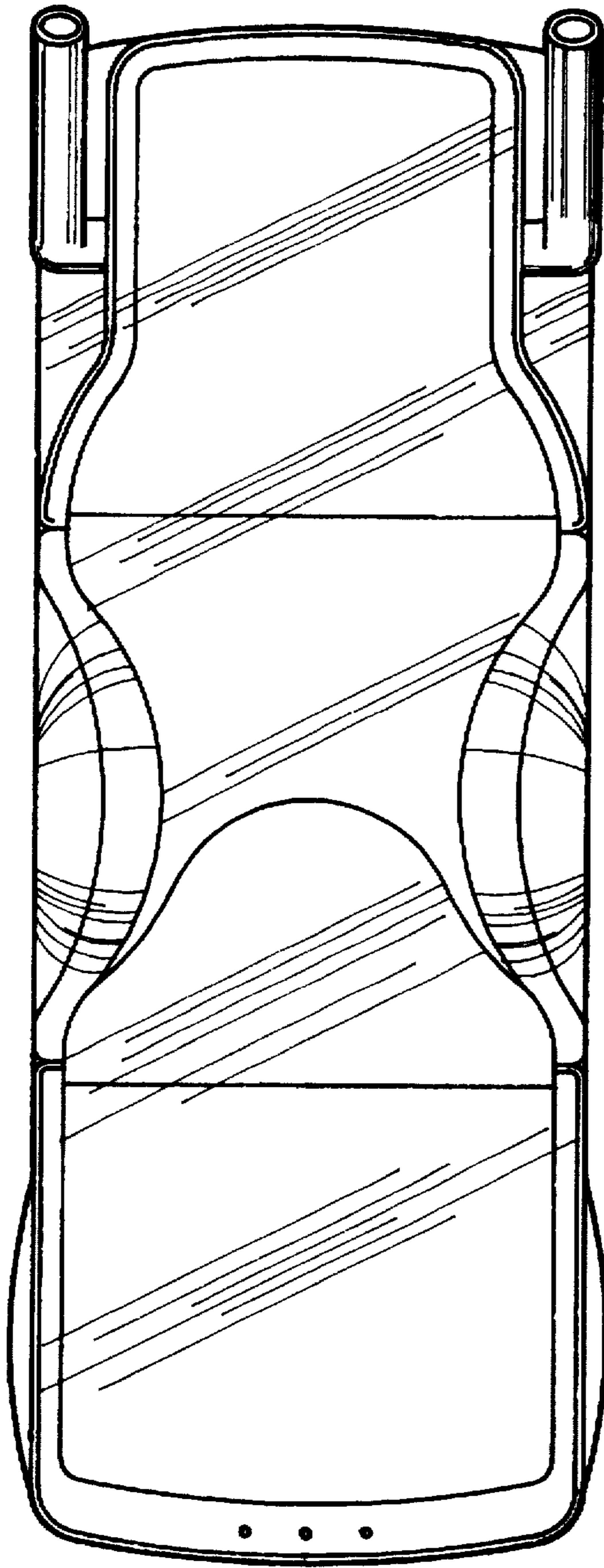


FIG. 2

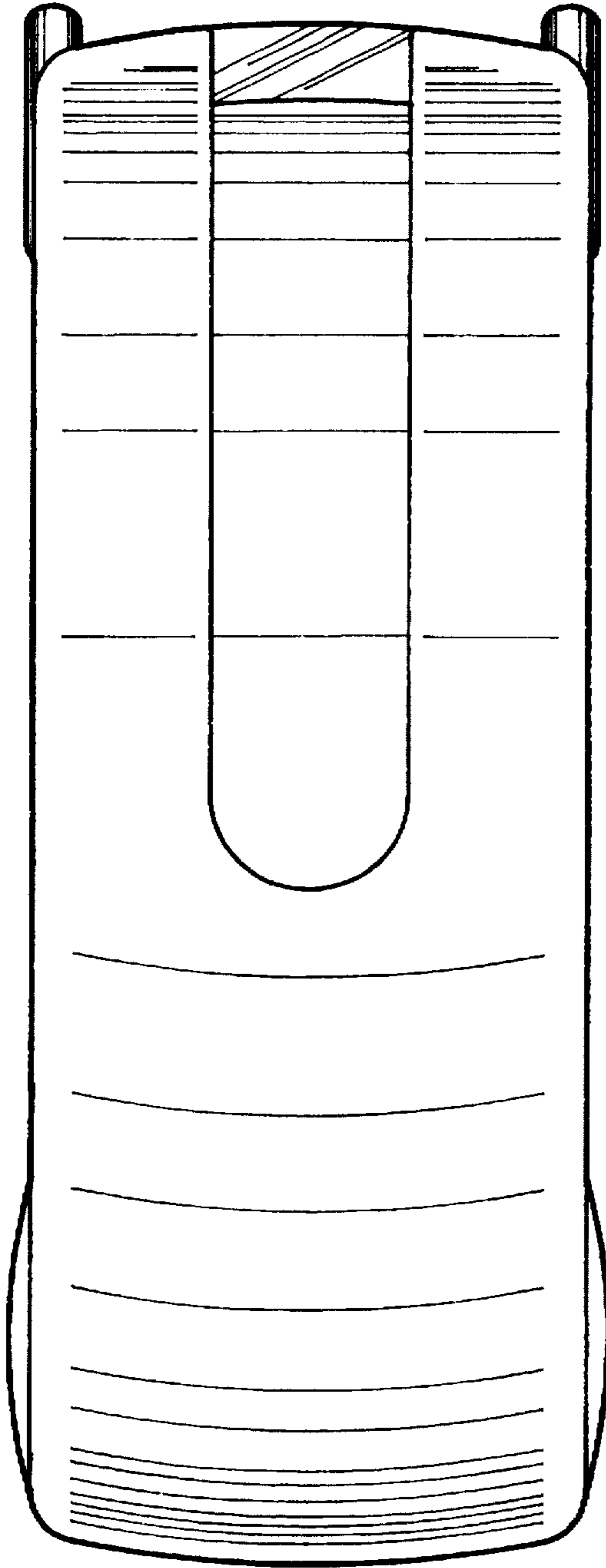


FIG. 3

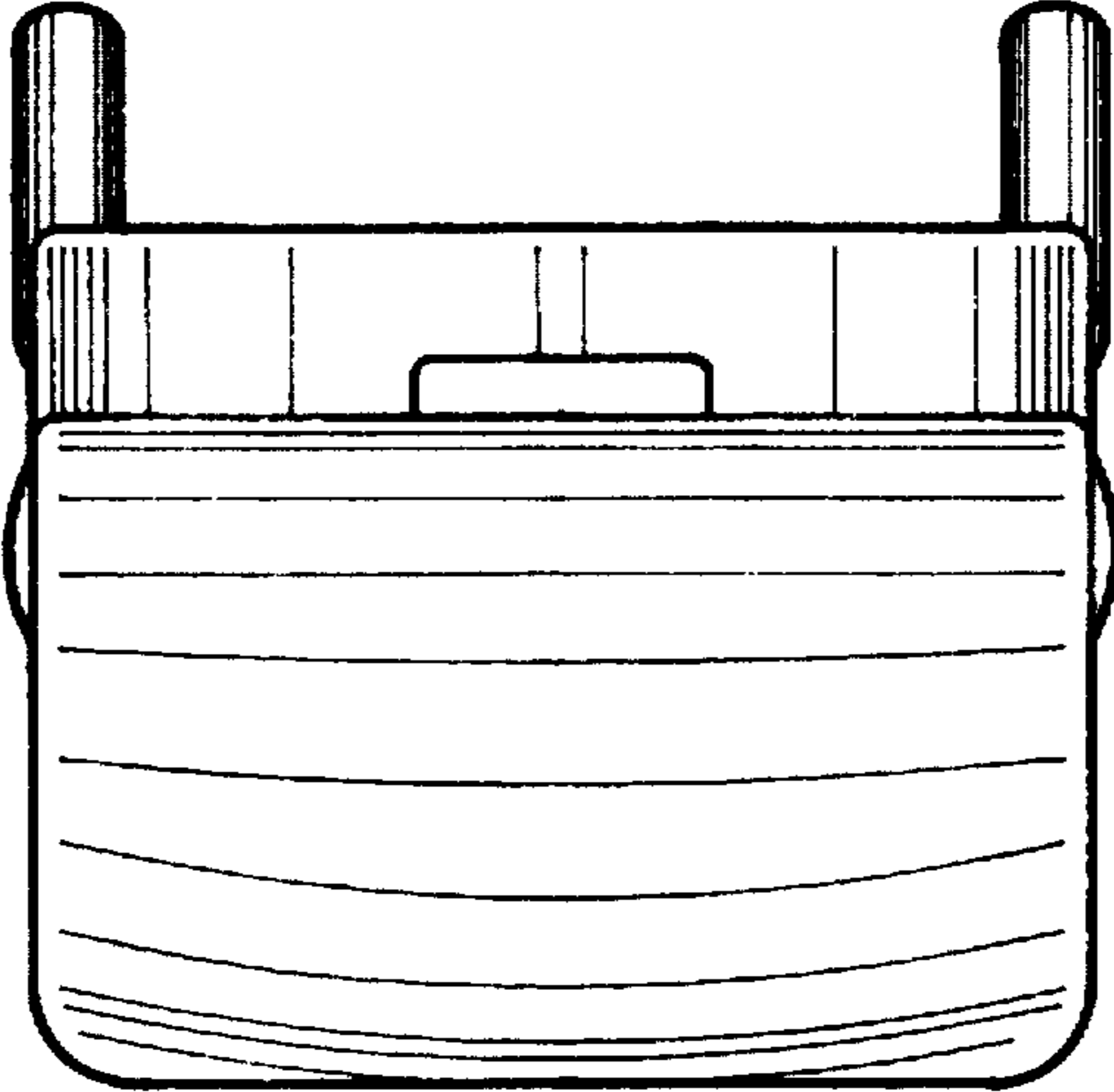


FIG. 4

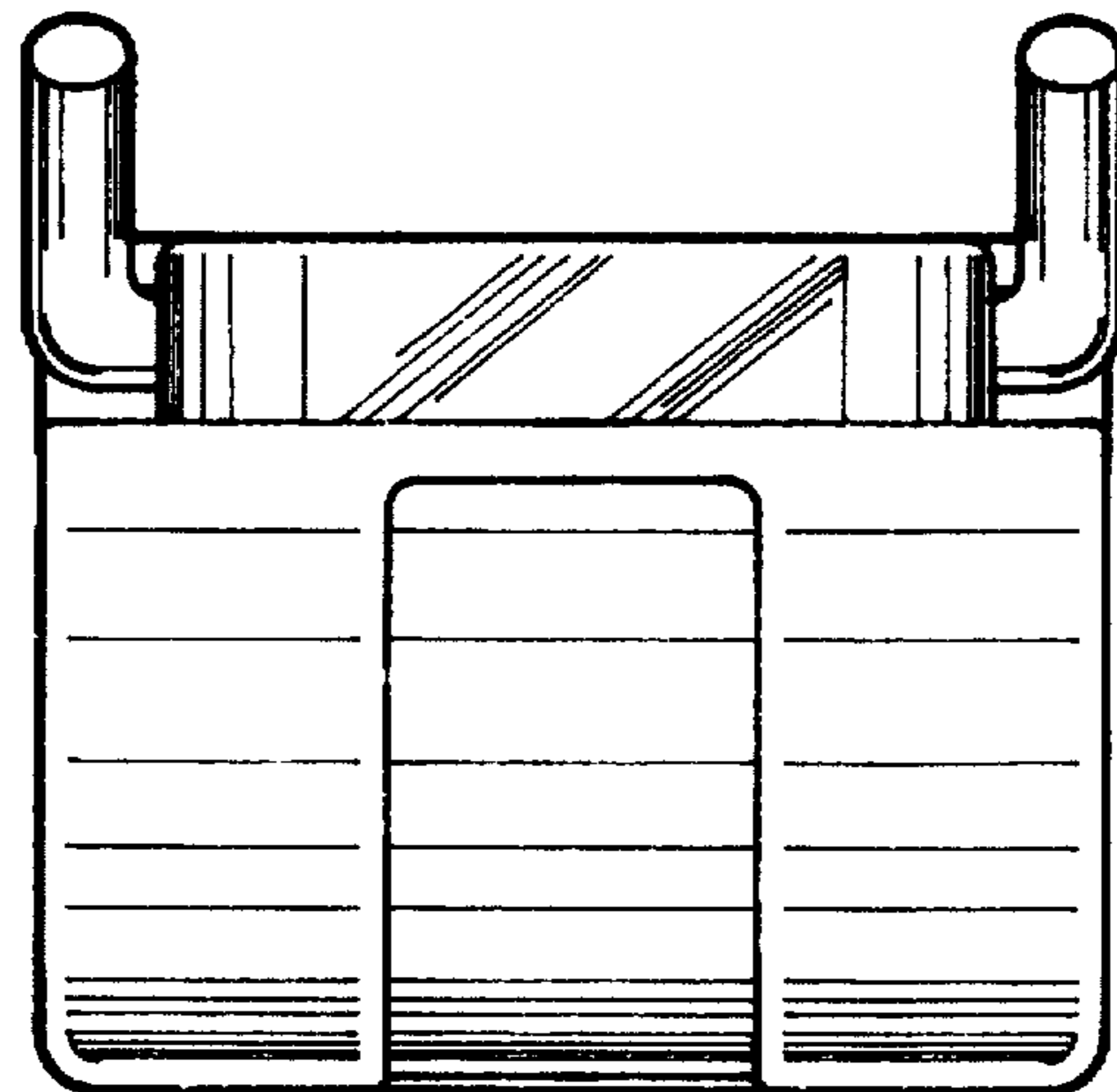


FIG. 5

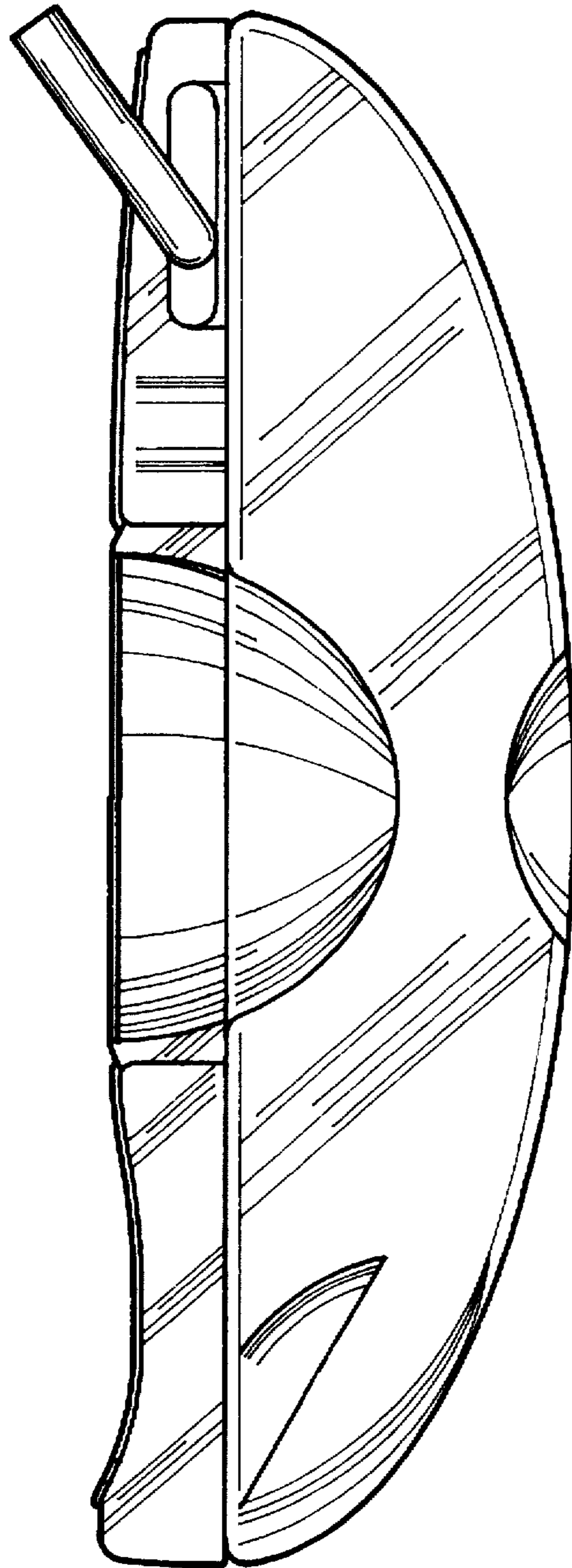


FIG. 6