



US00D396077S

# United States Patent [19]

Heine

[11] Patent Number: **Des. 396,077**

[45] Date of Patent: **\*\*Jul. 14, 1998**

[54] **EXERCISE DEVICE**

[76] Inventor: **Alan J. Heine**, 4069 Ridge St., Fair Oaks, Calif. 95628

[\*\*] Term: **14 Years**

[21] Appl. No.: **61,831**

[22] Filed: **Oct. 31, 1996**

[51] LOC (6) Cl. .... **21-02**

[52] U.S. Cl. .... **D21/191**

[58] Field of Search ..... D21/191, 198; 482/74, 121, 122, 123, 124, 125, 126

[56] **References Cited**

**U.S. PATENT DOCUMENTS**

D. 309,484	7/1990	Arad et al. ....	D21/62
D. 340,267	10/1993	Robles .....	D21/62
D. 353,172	12/1994	Gaut .....	D21/191
843,478	2/1907	Müller .....	482/124
866,495	7/1907	Marks .....	482/124
2,160,722	5/1939	Cunningham .	
3,589,721	6/1971	Cronauer .	
3,838,852	10/1974	Gury .....	482/125
4,544,155	10/1985	Wallenbrock et al. ....	482/124
4,815,731	3/1989	Suarez et al. ....	482/124
4,909,505	3/1990	Tee .....	482/124
5,158,510	10/1992	Lemire .....	482/51
5,176,377	1/1993	Wilkinson .....	482/120
5,186,701	2/1993	Wilkinson .....	482/125
5,203,754	4/1993	Maclean .....	482/124

5,263,916	11/1993	Bicich .....	482/124
5,306,222	4/1994	Wilkinson .....	482/124
5,362,295	11/1994	Nurge .....	482/124
5,372,565	12/1994	Burdenko .....	482/124
5,490,826	2/1996	Rose .....	482/74

*Primary Examiner*—Philip S. Hyder  
*Attorney, Agent, or Firm*—Bernhard Kreten

[57] **CLAIM**

The ornamental design for an exercise device, as shown and described.

**DESCRIPTION**

FIG. 1 is a perspective view of an exercise device, wherein the fasteners are shown in a closed position, showing of my new design;

FIG. 2 is a top view thereof, the bottom view being a mirror image thereof;

FIG. 3 is a right side view thereof;

FIG. 4 is a left side view thereof;

FIG. 5 is a rear elevational view thereof;

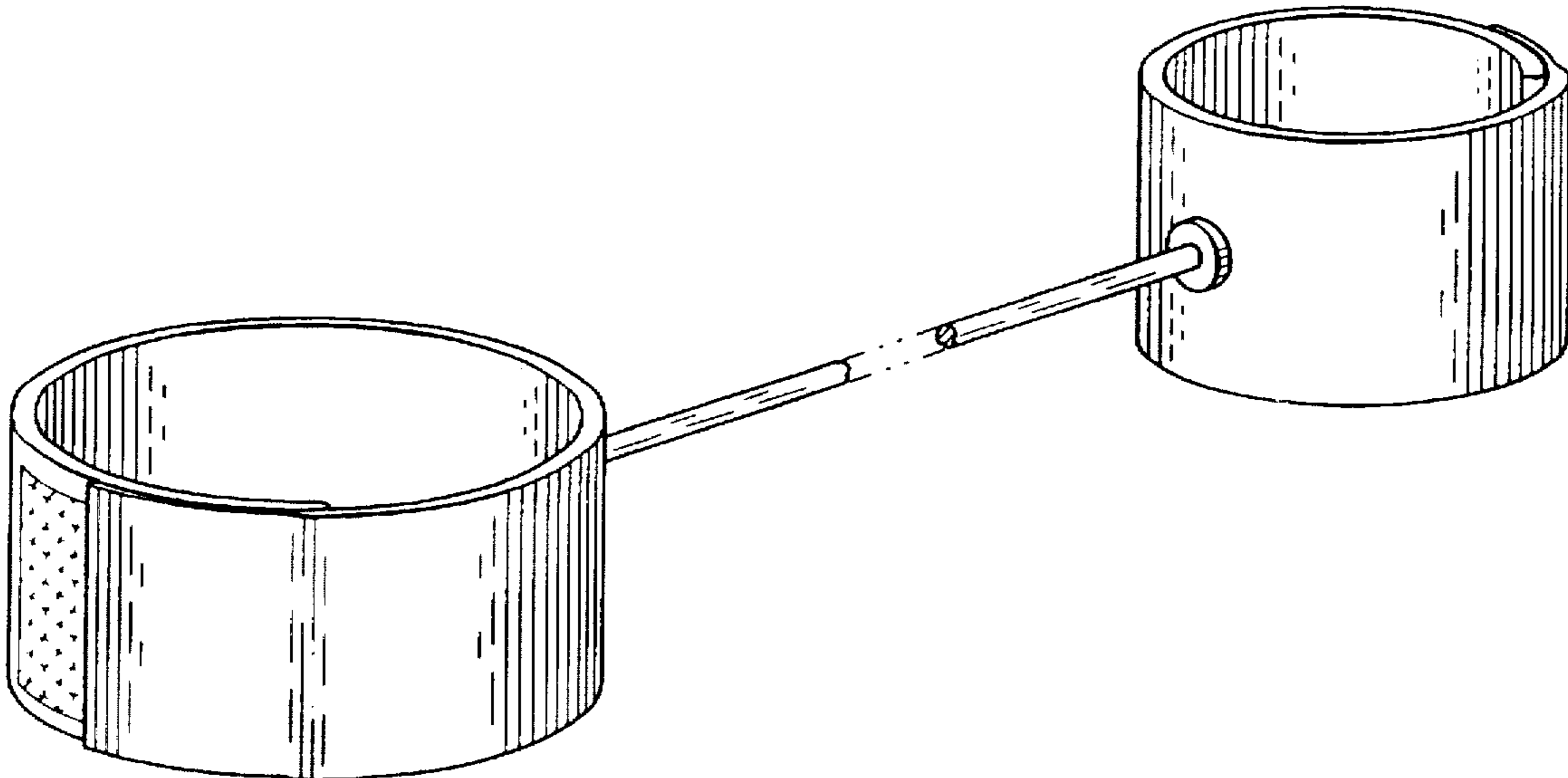
FIG. 6 is a front elevational view thereof;

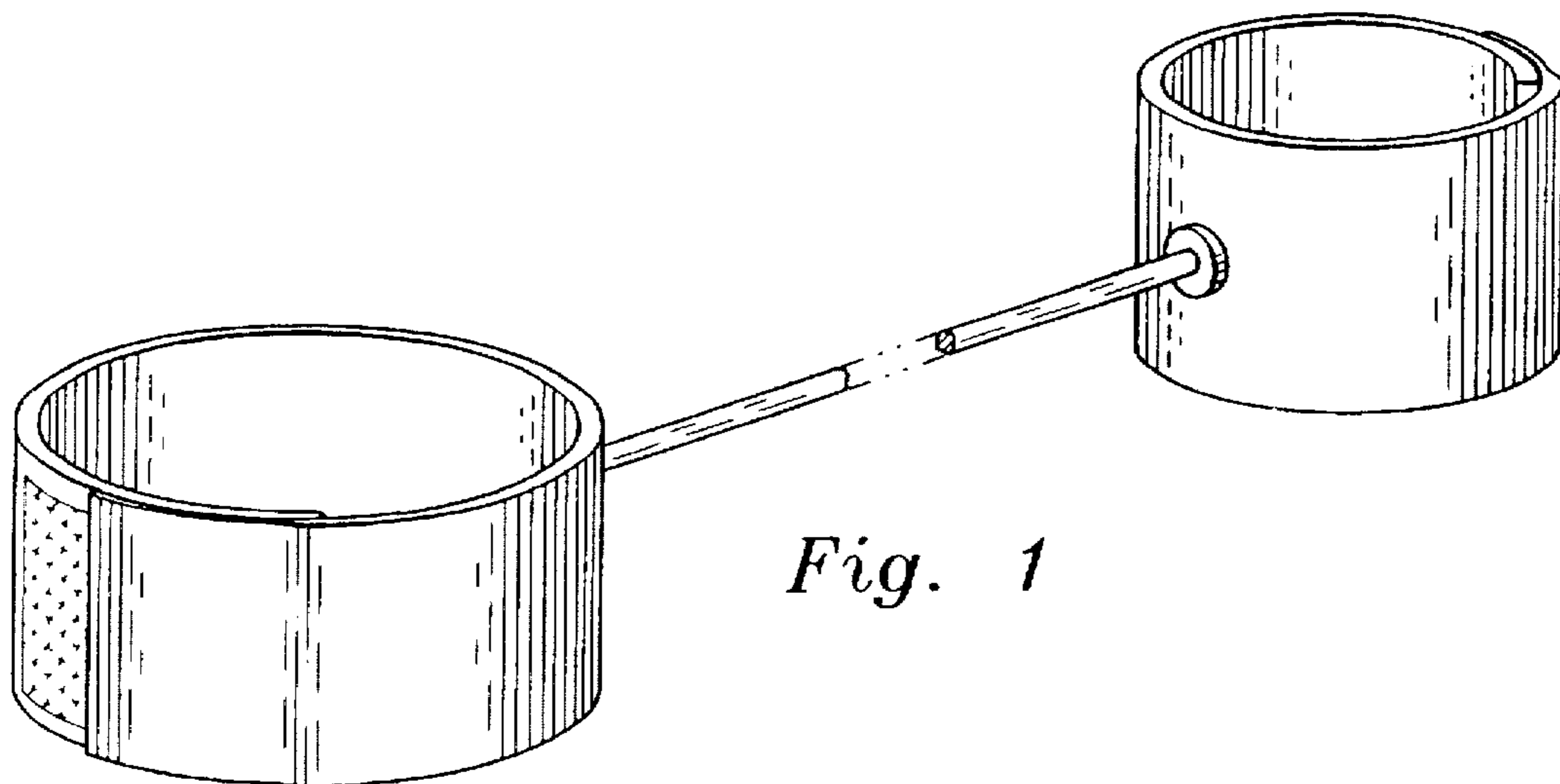
FIG. 7 is a perspective view thereof wherein the fasteners are shown in an open position;

FIG. 8 is a view of the device in use in one possible environment.

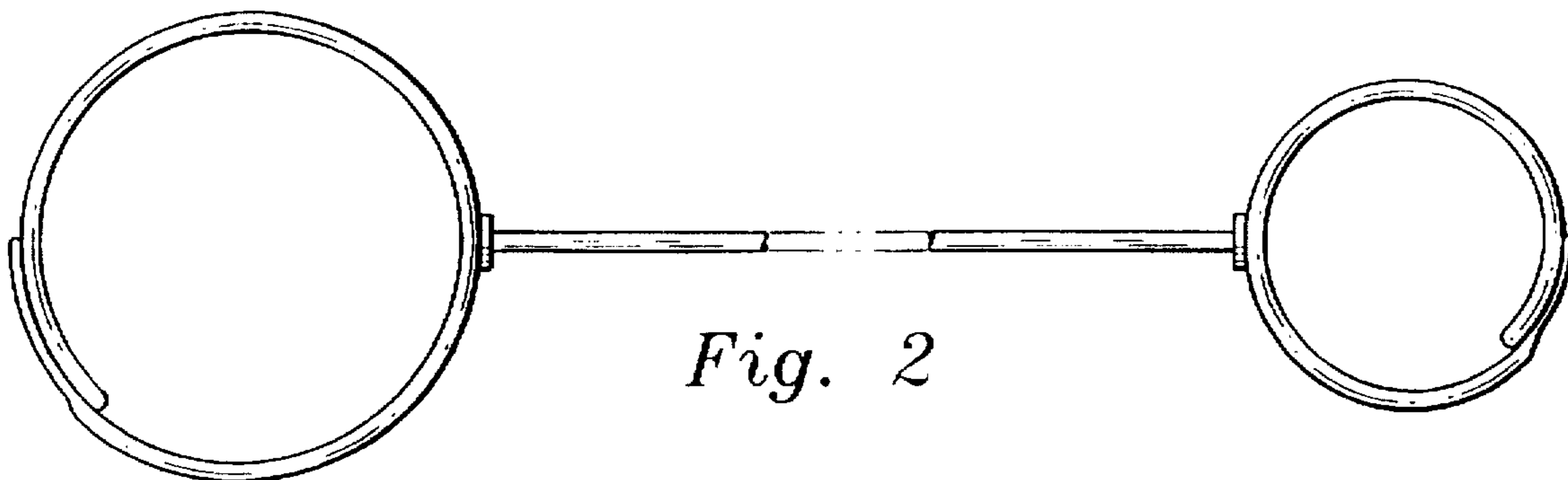
The broken-line showing of environmental structure in FIG. 8 is for illustrative purposes only and form no part of the claimed design.

**1 Claim, 2 Drawing Sheets**

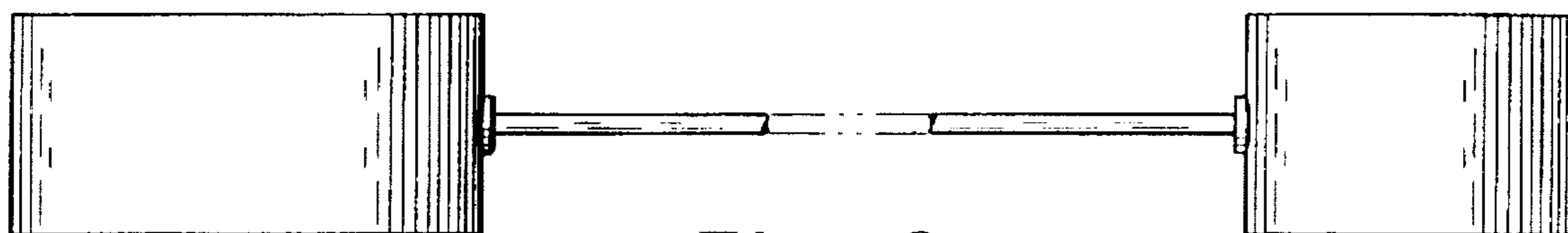




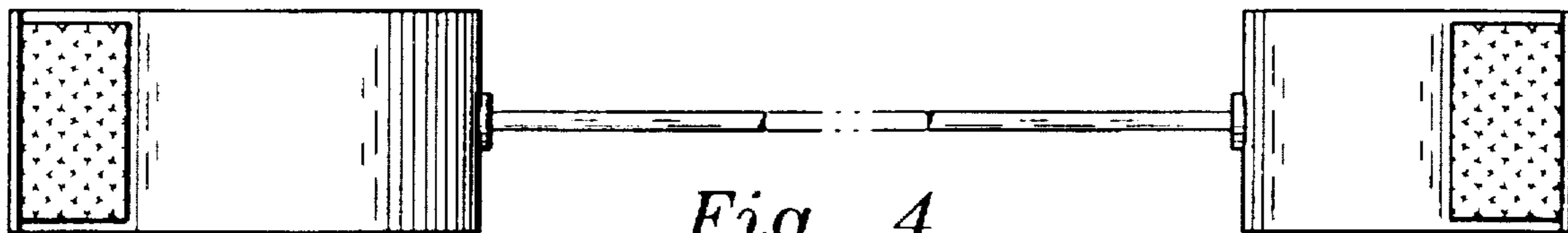
*Fig. 1*



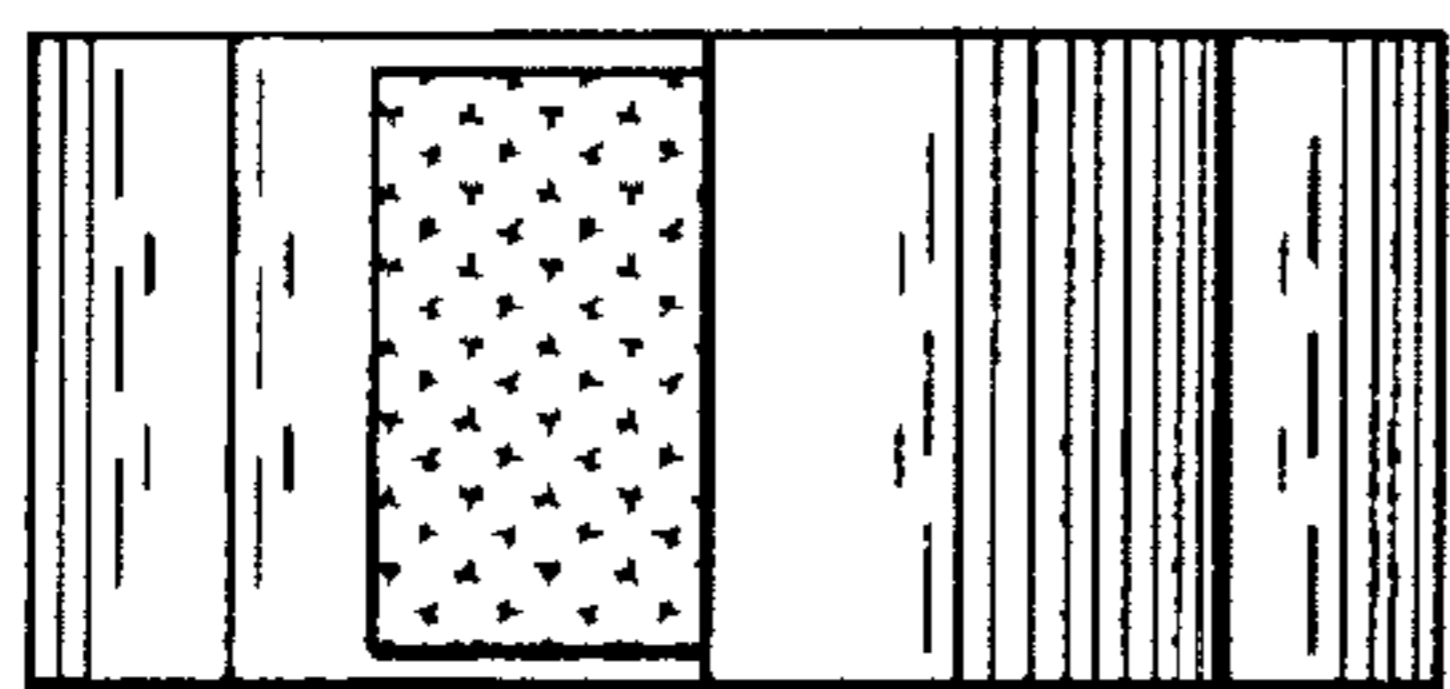
*Fig. 2*



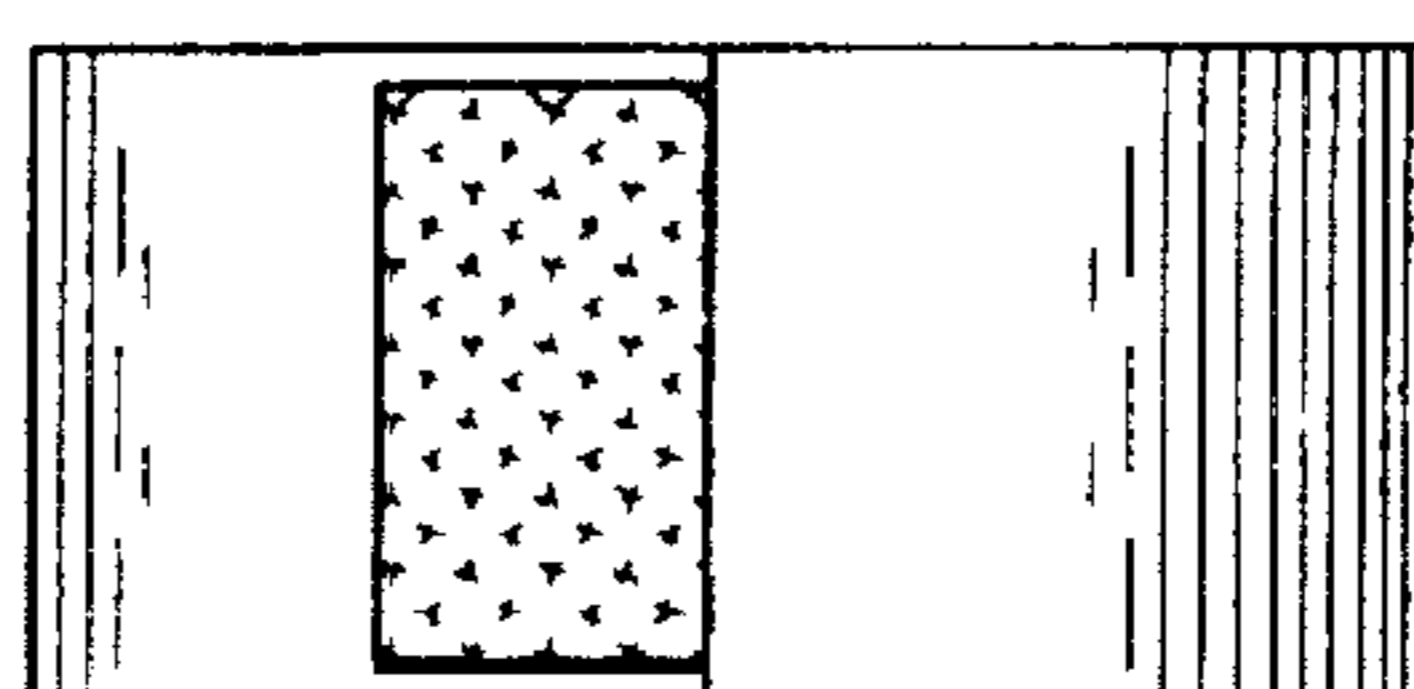
*Fig. 3*



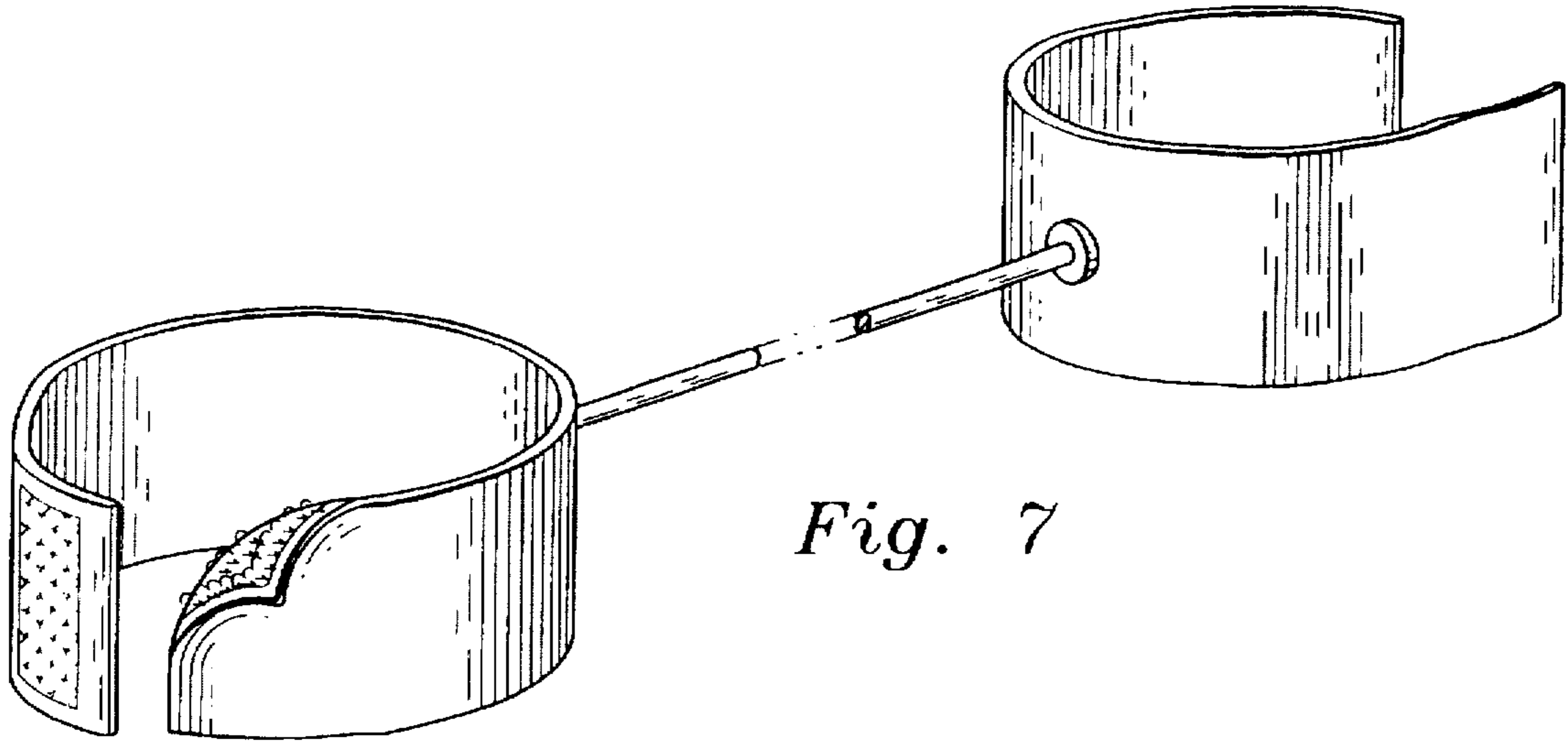
*Fig. 4*



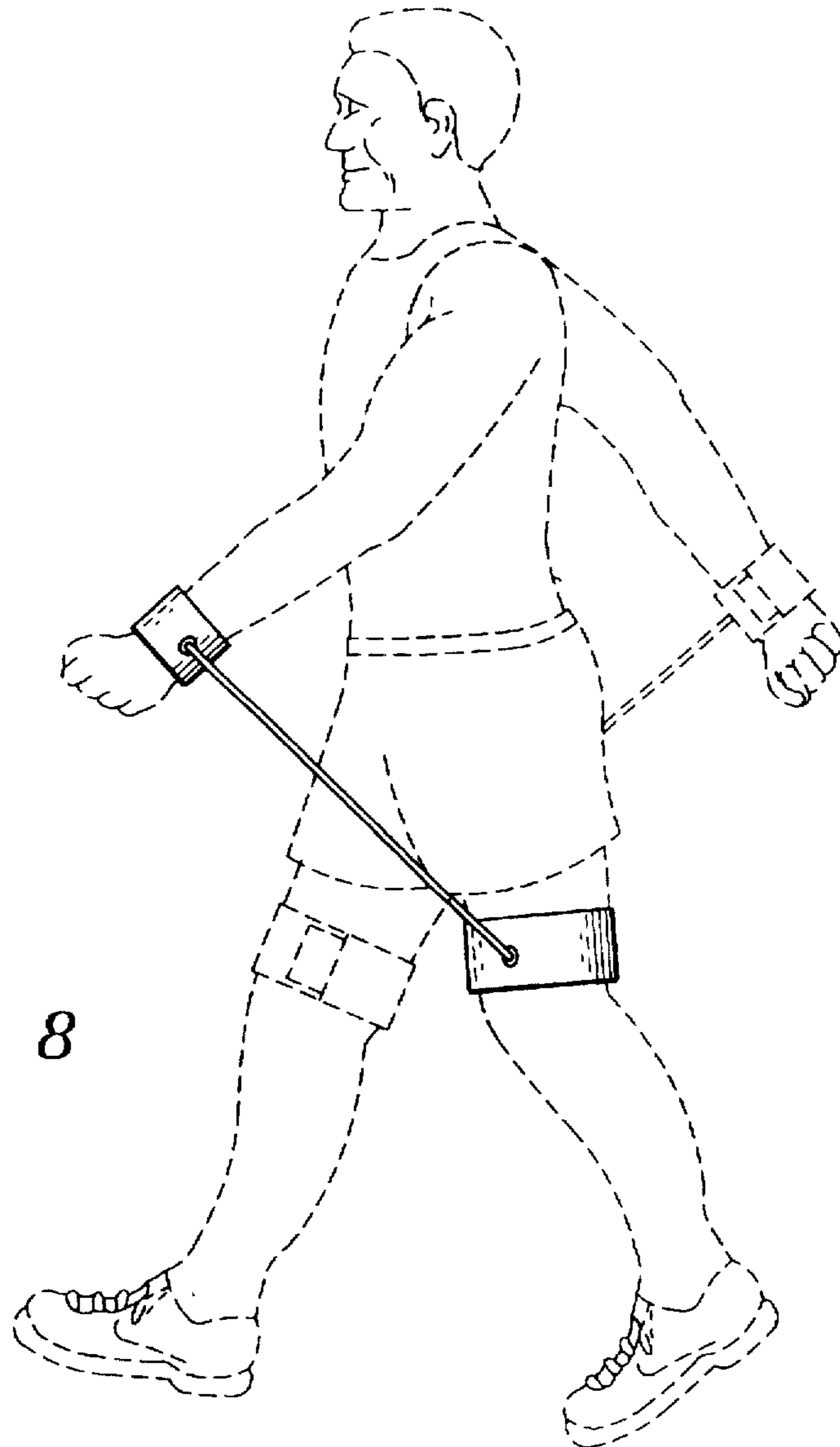
*Fig. 5*



*Fig. 6*



*Fig. 7*



*Fig. 8*