



US00D396068S

# United States Patent [19]

Chikui et al.

[11] Patent Number: **Des. 396,068**

[45] Date of Patent: **\*\*Jul. 14, 1998**

[54] **OPTICAL BEAM GUN FOR A GAME MACHINE**

[75] Inventors: **Noriyoshi Chikui; Hirofumi Fujimoto,**  
both of Kobe, Japan

[73] Assignee: **Konami Co., Ltd.,** Hyogo-ken, Japan

[\*\*] Term: **14 Years**

[21] Appl. No.: **71,593**

[22] Filed: **Jun. 3, 1997**

[30] **Foreign Application Priority Data**

Dec. 6, 1996 [JP] Japan ..... 8-037040(D)

[51] **LOC (6) Cl.** ..... **21-01**

[52] **U.S. Cl.** ..... **D21/48**

[58] **Field of Search** ..... **D21/1, 5, 48, 13;**  
**463/49-52, 30; 273/317, 318, 148 B**

[56] **References Cited**

**U.S. PATENT DOCUMENTS**

D. 347,027 5/1994 Phillips ..... D21/48  
D. 374,041 9/1996 Oikawa ..... D21/48  
3,655,192 4/1972 Hall et al. .... 463/51

3,960,380 6/1976 Yokoi ..... 463/51 X  
4,175,747 11/1979 Hudson ..... 463/49  
4,811,955 3/1989 De Bernardini ..... 463/51  
5,569,085 10/1996 Igarashi et al. .... 463/51 X  
5,577,962 11/1996 Koonoe et al. .... 463/51 X

*Primary Examiner*—Prabhakar G. Deshmukh  
*Attorney, Agent, or Firm*—Jordan and Hamburg

[57] **CLAIM**

The ornamental design for an optical beam gun for a game machine, as shown and described.

**DESCRIPTION**

FIG. 1 is a perspective view of an optical beam gun for a game machine;  
FIG. 2 is a front view of the optical beam gun;  
FIG. 3 is a rear view of the optical beam gun;  
FIG. 4 is a left side view of the optical beam gun;  
FIG. 5 is a right side view of the optical beam gun;  
FIG. 6 is a top view of the optical beam gun;  
FIG. 7 is a bottom view of the operating beam gun;  
FIG. 8 is a view of a section taken along the line 8—8 in FIG. 2; and  
FIG. 9 is a view of a section taken along line 9—9 in FIG. 5.

**1 Claim, 7 Drawing Sheets**

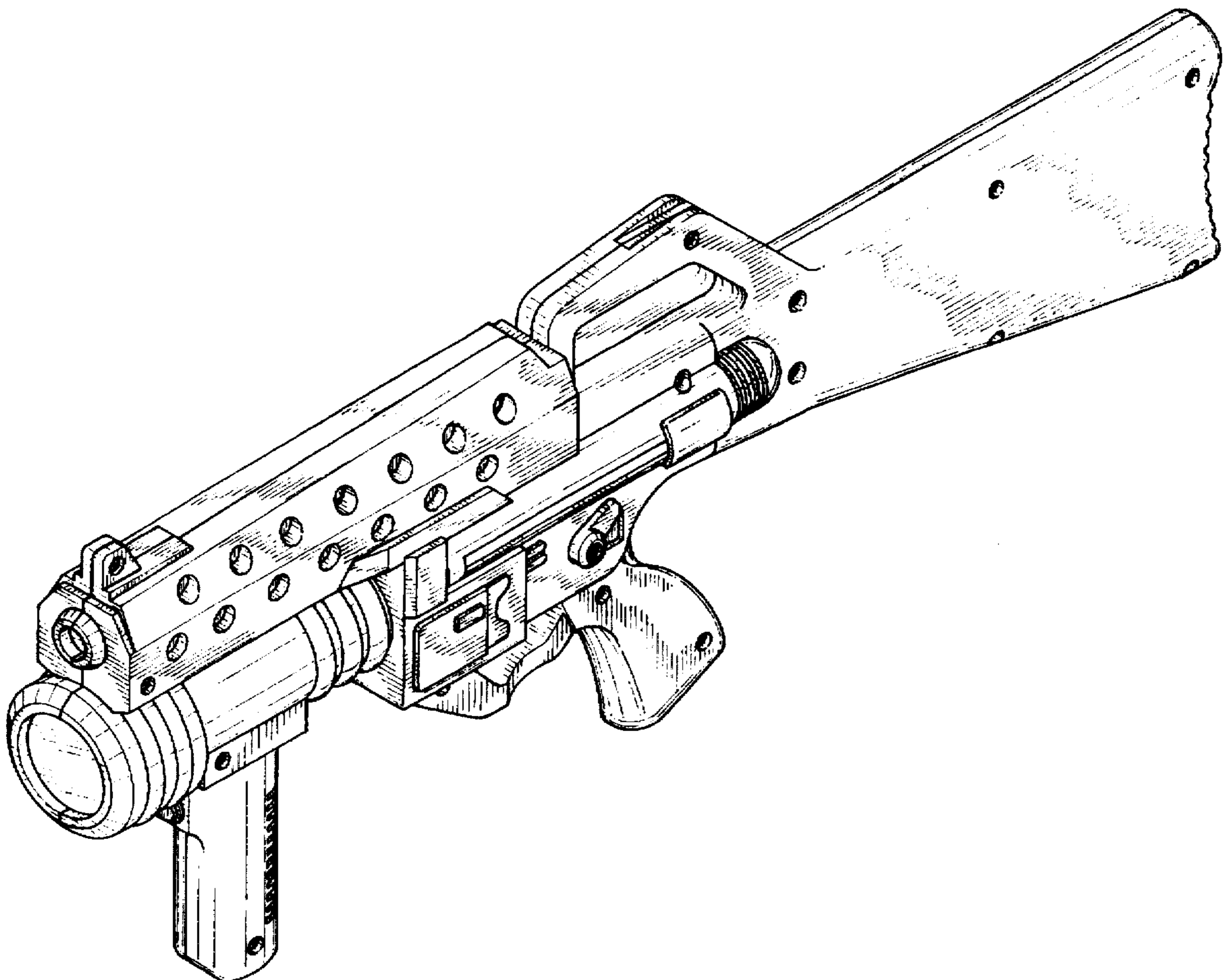


FIG. 1

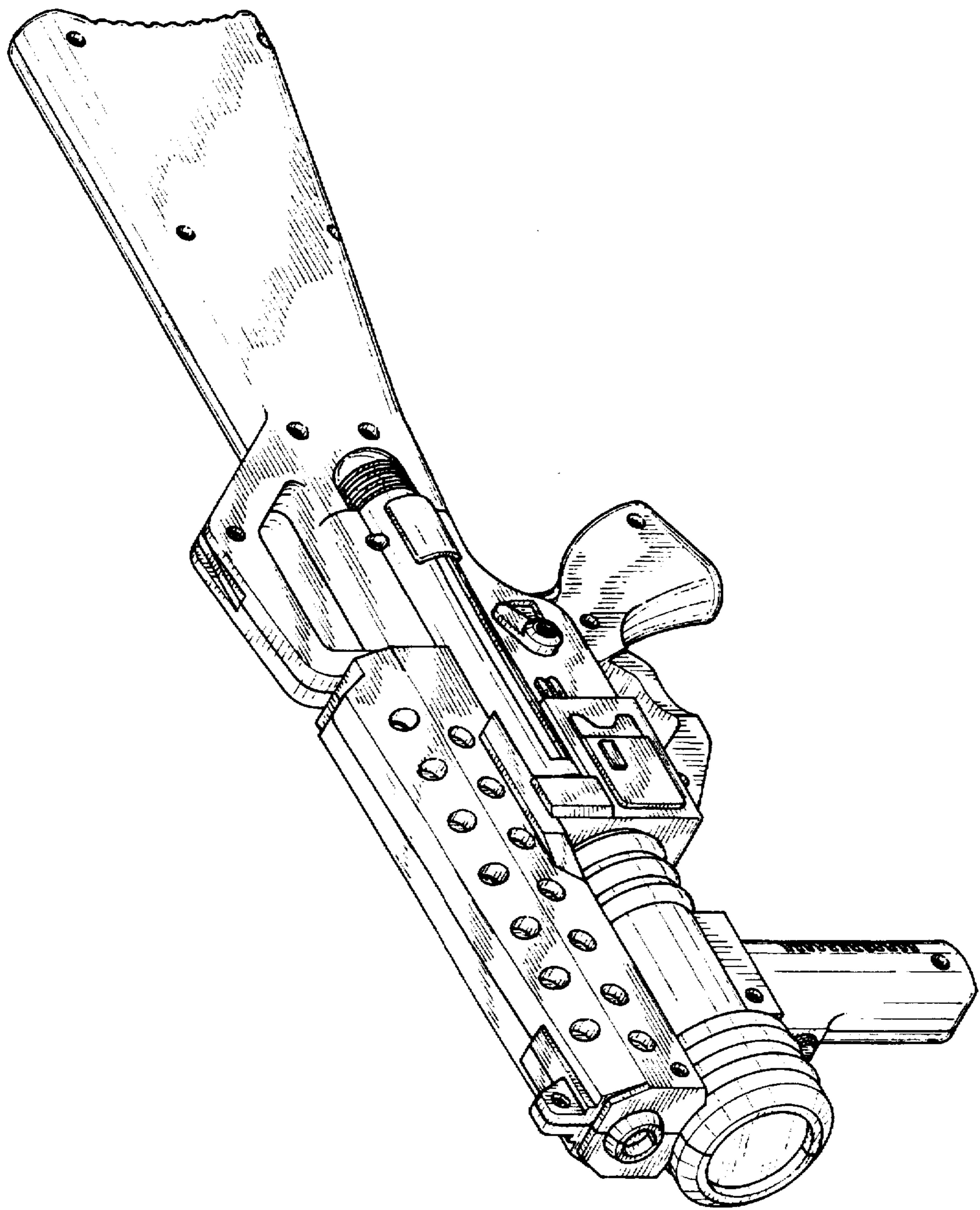


FIG. 2

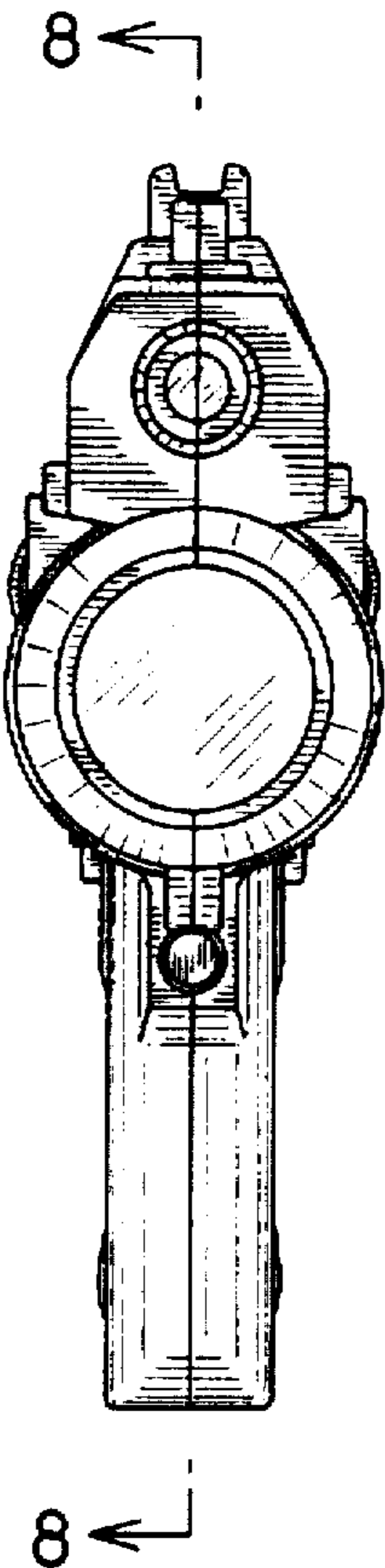


FIG. 3

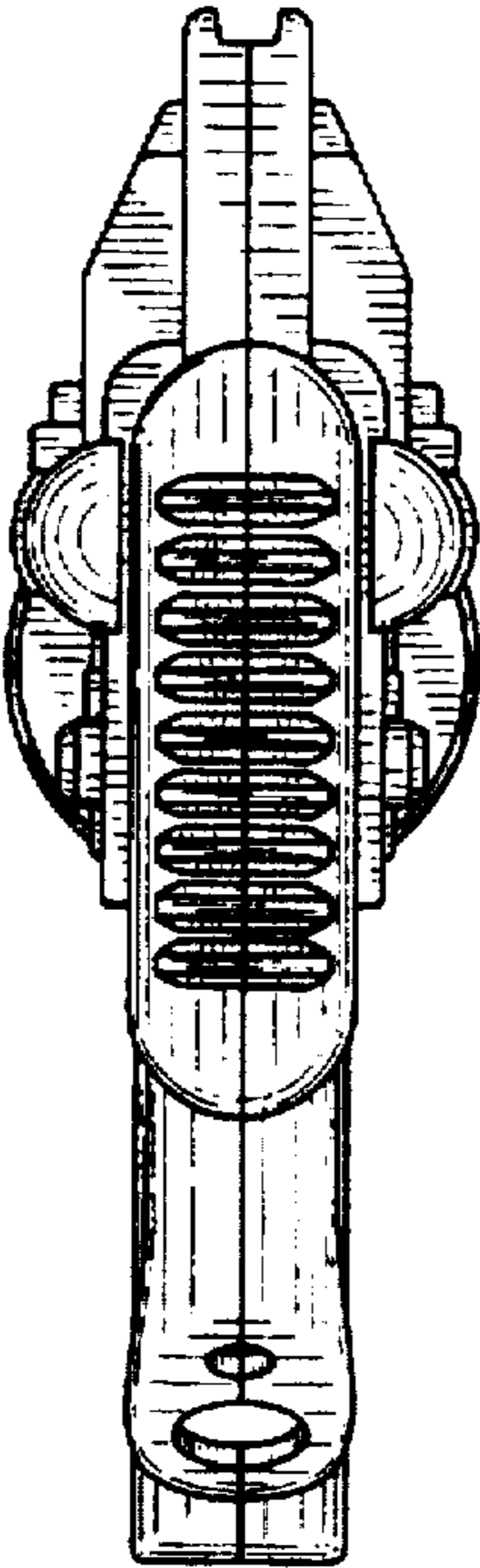




FIG. 4

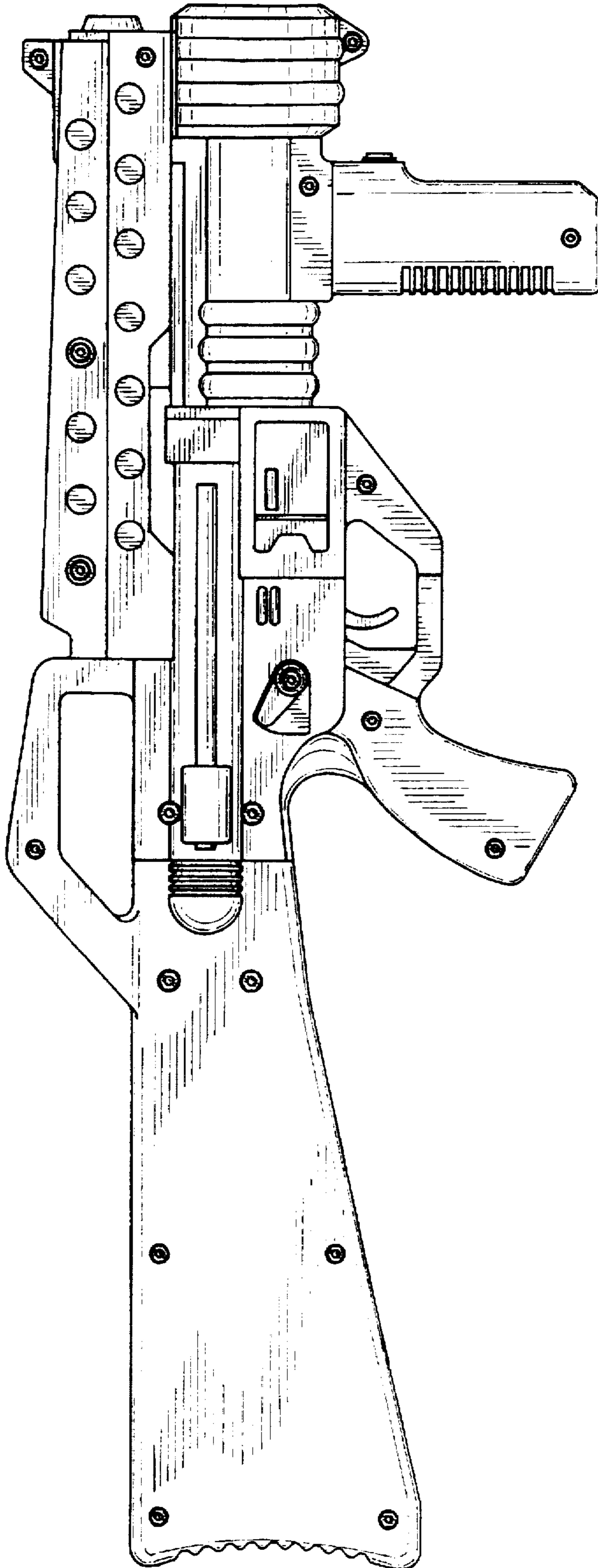


FIG. 5

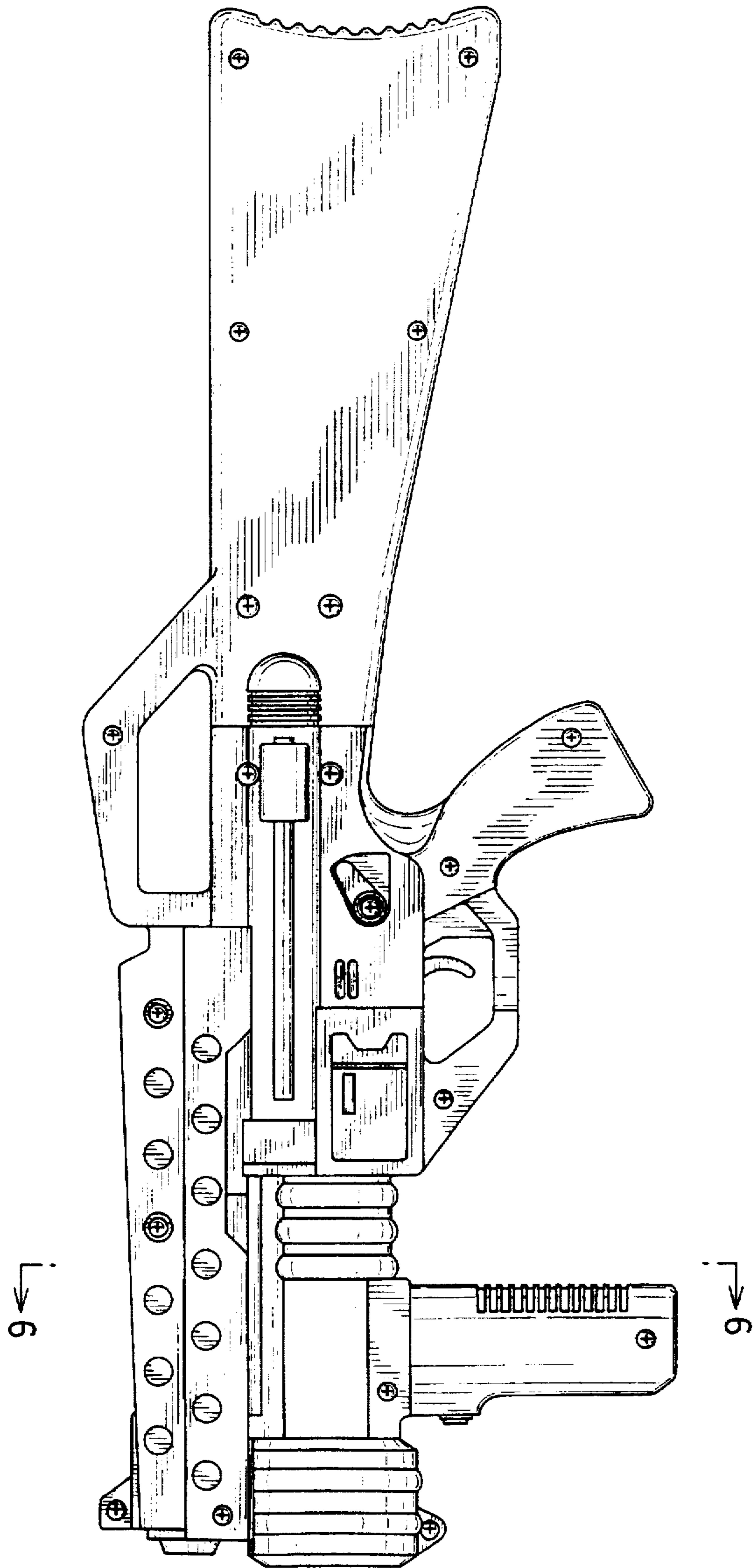


FIG. 6

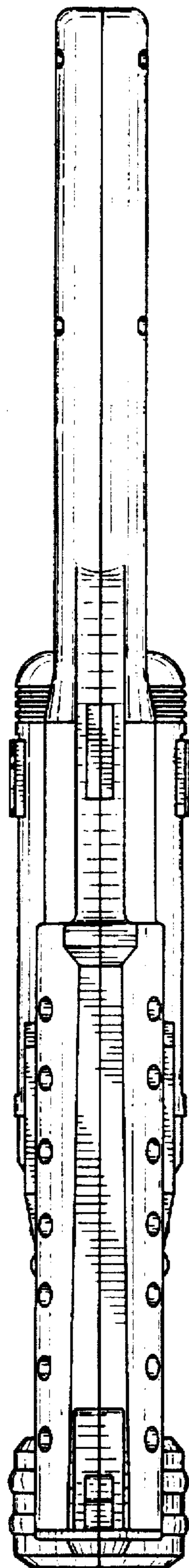


FIG. 7

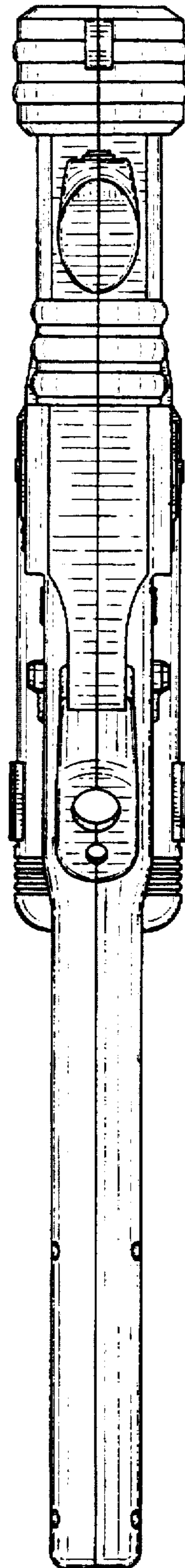


FIG. 8

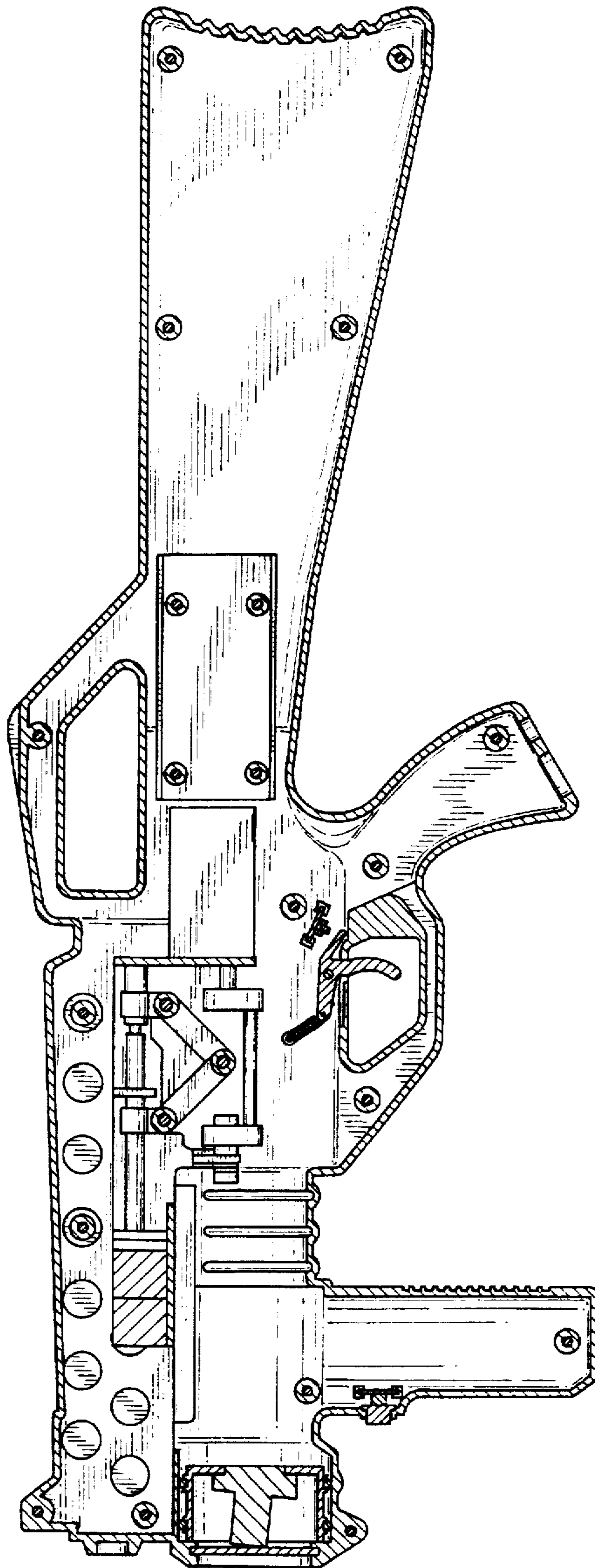


FIG. 9

