



US00D396061S

United States Patent [19]

Thompson et al.

[11] Patent Number: Des. 396,061

[45] Date of Patent: **Jul. 14, 1998

[54] ADHESIVE TAPE TRANSFER APPLICATOR

[75] Inventors: **Craig D. Thompson**, Inver Grove Heights, Minn.; **Robert A. Luhman**, New Richmond, Wis.

[73] Assignee: **Minnesota Mining and Manufacturing Company**, St. Paul, Minn.

[**] Term: 14 Years

[21] Appl. No.: 77,232

[22] Filed: Sep. 29, 1997

[51] LOC (6) Cl. 19-02

[52] U.S. Cl. D19/69; D19/67

[58] Field of Search D10/72, 74; D19/65, D19/67, 68, 69; 242/370; 206/411; 225/6, 7, 19, 24, 34, 35, 45, 56, 65, 77, 89; 156/523, 510, 527, 584, 577

[56] **References Cited**

U.S. PATENT DOCUMENTS

- D. 146,473 3/1947 Krueger D19/69
- D. 200,508 3/1965 Bazeaus D19/69
- D. 311,757 10/1990 Crutchfield D19/65 X

- D. 348,691 7/1994 Bell et al. D19/69
- D. 370,692 6/1996 Crawford et al. D19/67 X
- 2,582,979 1/1952 Fritzing 156/523
- 4,591,407 5/1986 Samuelson 156/527
- 4,780,172 10/1988 Shea 156/577 X

Primary Examiner—Martie Thompson
Attorney, Agent, or Firm—Charles D. Levine

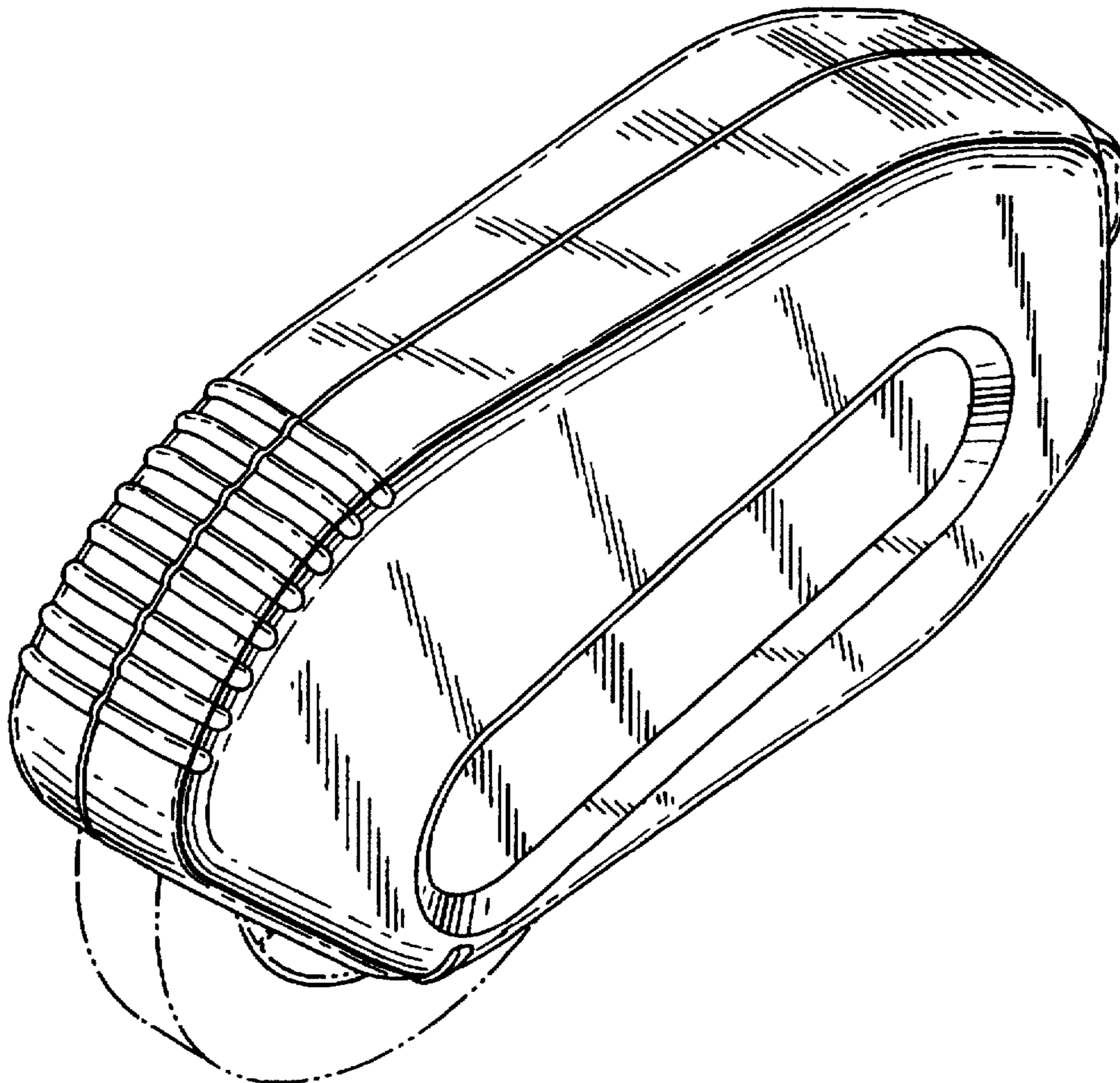
[57] **CLAIM**

The ornamental design for an adhesive tape transfer applicator, as shown and described.

DESCRIPTION

FIG. 1 is a perspective view of a adhesive tape transfer applicator showing our new design;
 FIG. 2 is a left side elevation view thereof with the understanding that the right side elevational view is a mirror image;
 FIG. 3 is a top plan view thereof;
 FIG. 4 is a bottom view thereof; and
 FIG. 5 is a front elevation view thereof; and
 FIG. 6 is a rear elevation view thereof.
 The tape roll depicted by means of broken lines in FIGS. 1, 2, and 4 through 6 has been shown for illustrative purposes only and forms no part of the claimed design.

1 Claim, 3 Drawing Sheets



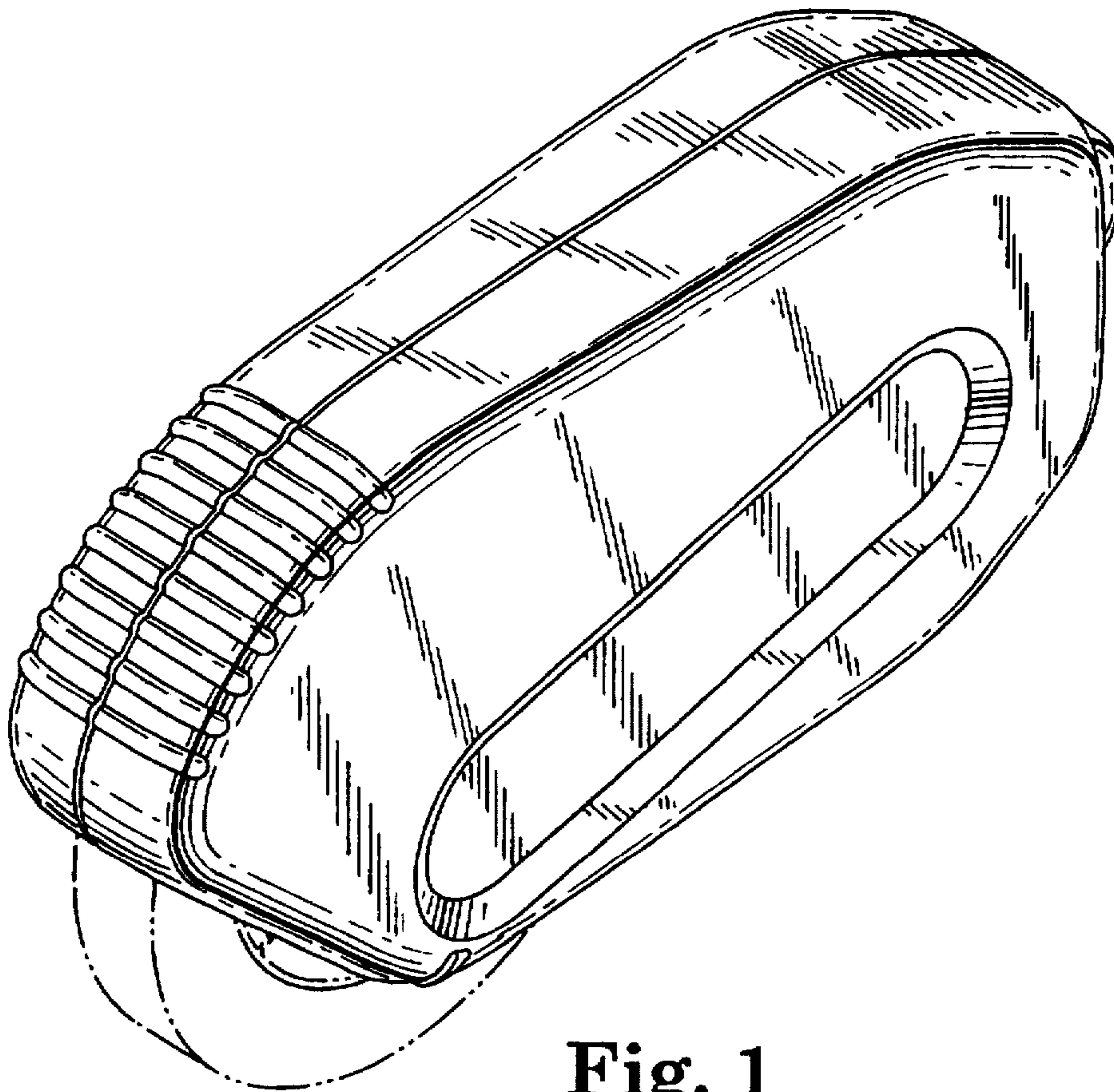


Fig. 1

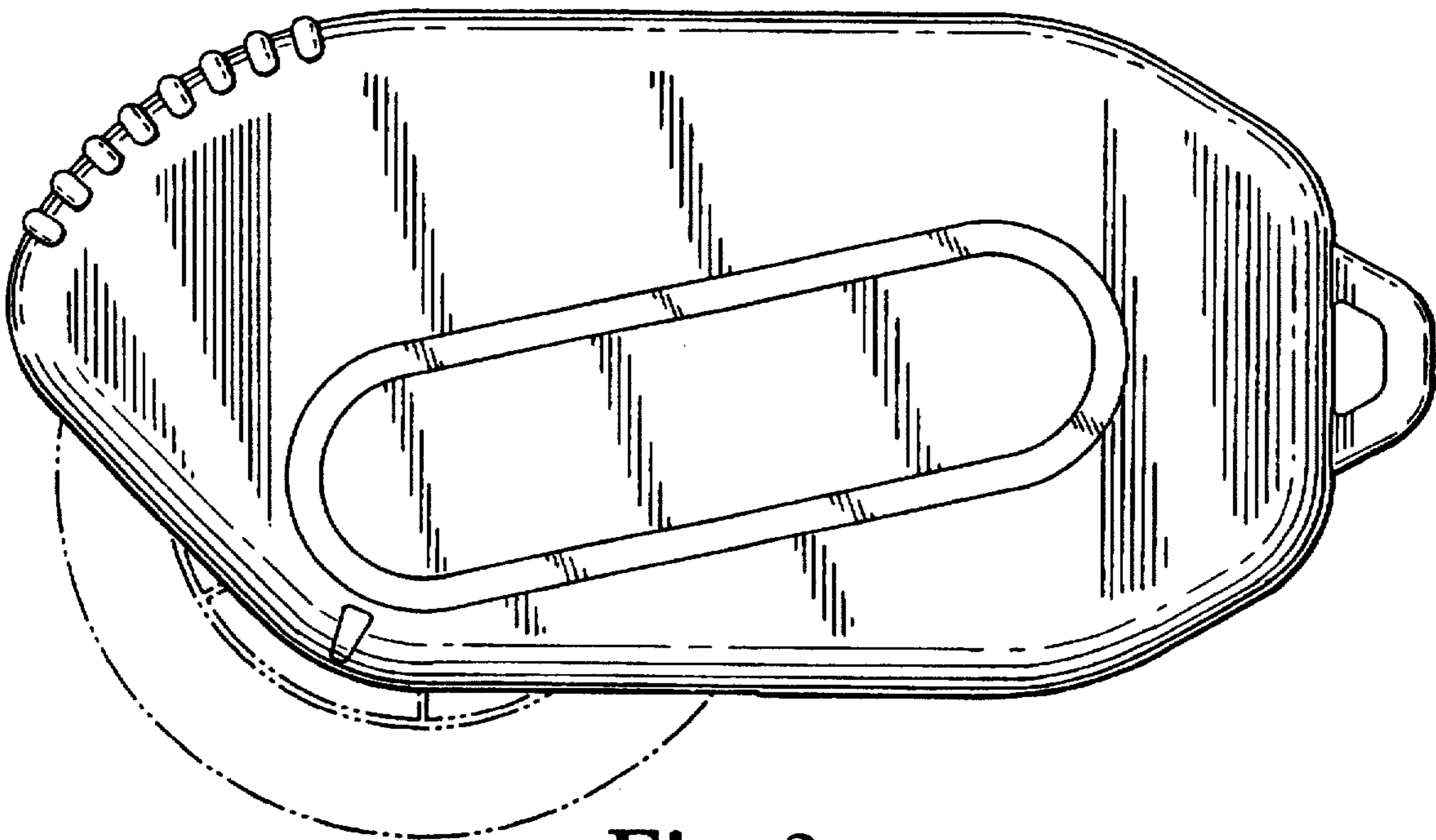


Fig. 2



Fig. 3

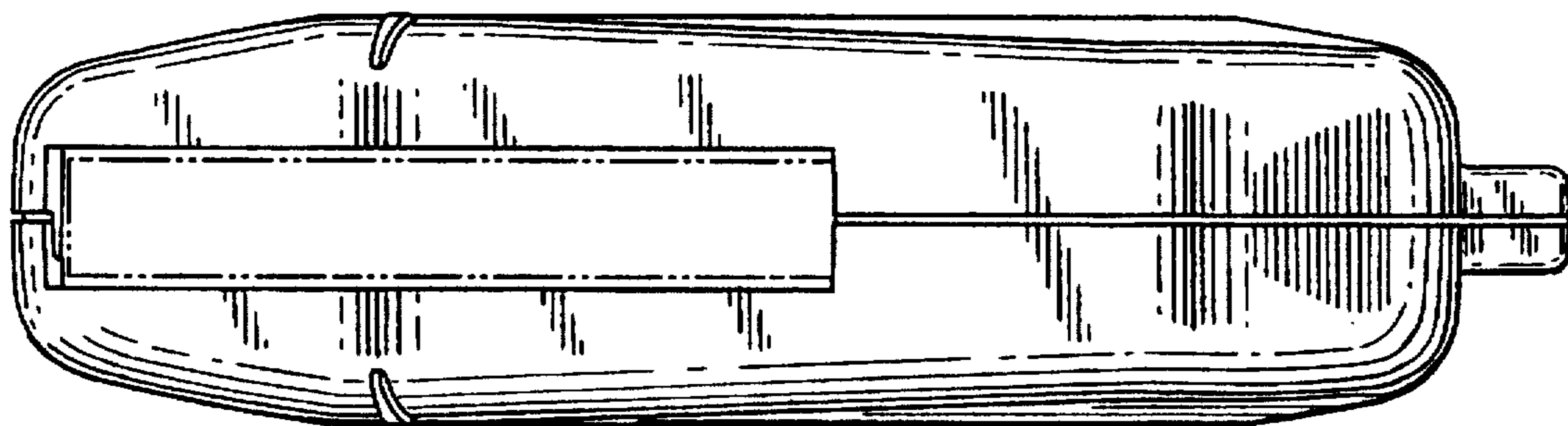


Fig. 4

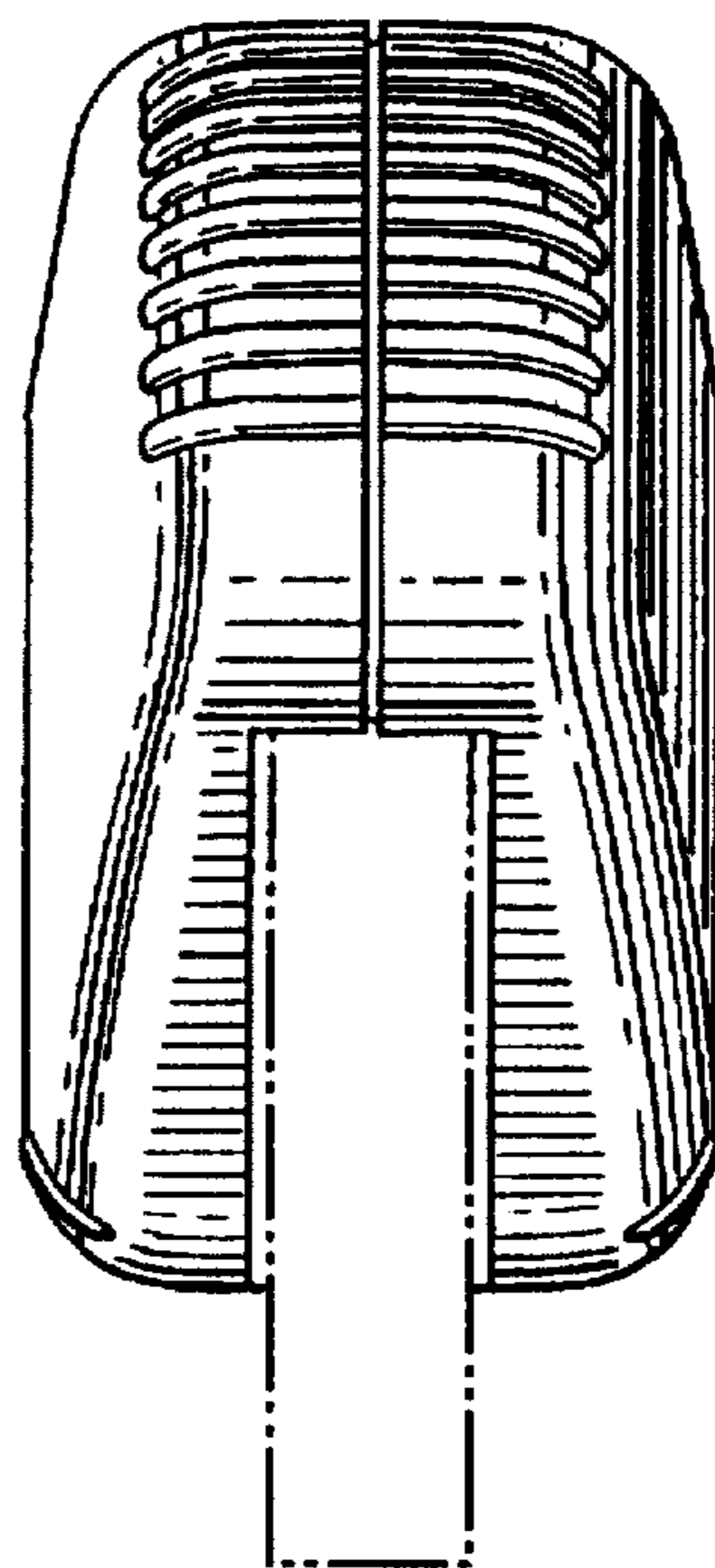


Fig. 5

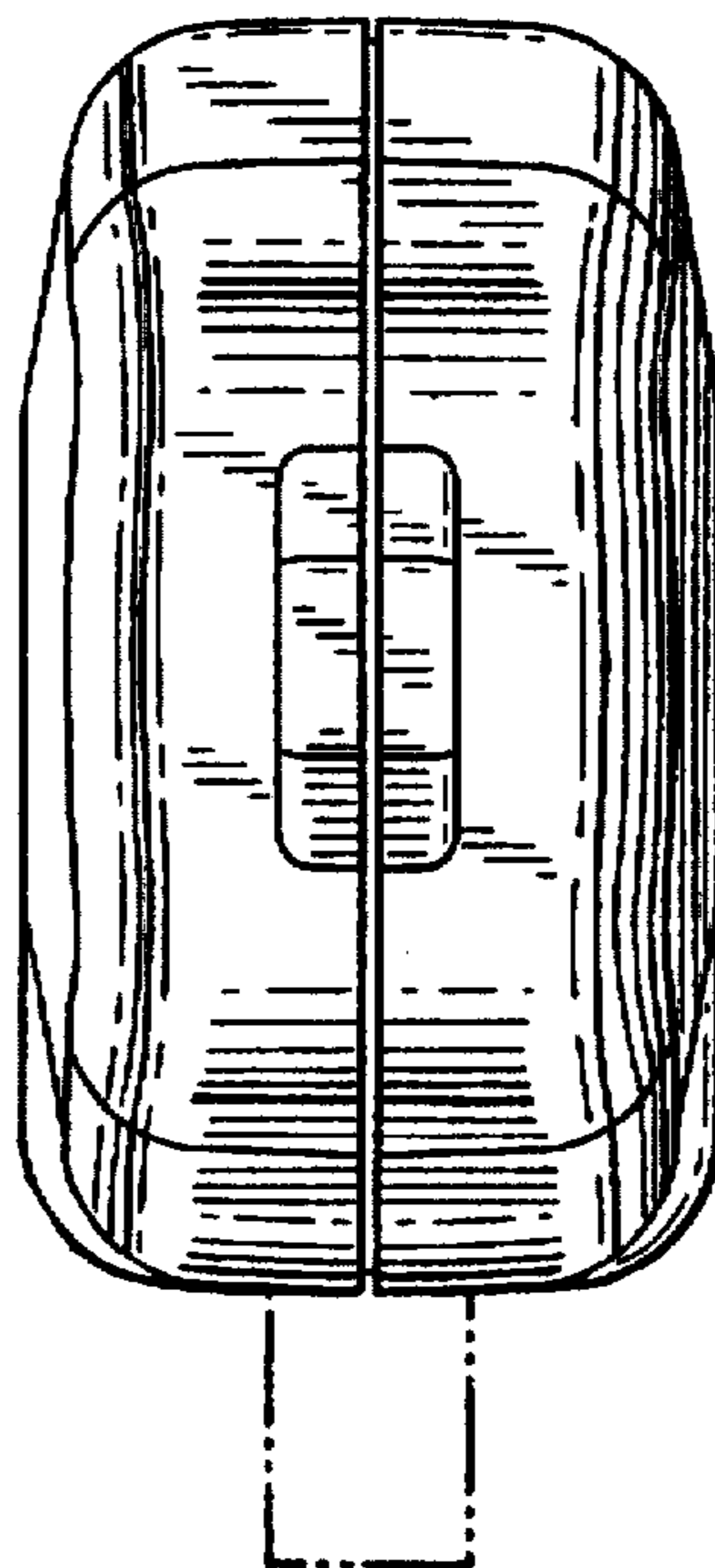


Fig. 6