



US00D396050S

United States Patent [19]
Welsh

[11] **Patent Number: Des. 396,050**
[45] **Date of Patent: **Jul. 14, 1998**

[54] **CONTROL HOUSING FOR A SCROLL SAW**
[75] **Inventor: Robert P. Welsh, Hunt Valley, Md.**
[73] **Assignee: Black & Decker Inc., Newark, Del.**
[**] **Term: 14 Years**

D. 366,881 2/1996 Eccardt et al. D15/133
2,731,988 1/1956 Steiner 83/784
5,058,280 10/1991 Pollak et al. 83/786 X
5,176,059 1/1993 Anderson 83/783 X
5,540,130 7/1996 Huang et al. 83/783 X

Primary Examiner—Antoine Duval Davis
Attorney, Agent, or Firm—Adan Ayala

[21] **Appl. No.: 73,716**
[22] **Filed: Jul. 16, 1997**

[57] **CLAIM**

The ornamental design for a control housing for a scroll saw, as shown and described.

Related U.S. Application Data

DESCRIPTION

[63] **Continuation of Ser. No. 62,012, Nov. 5, 1996, which is a continuation of Ser. No. 51,852, Mar. 1, 1996, abandoned.**
[51] **LOC (6) Cl. 15-09**
[52] **U.S. Cl. D15/133**
[58] **Field of Search D15/133; 83/783-786**

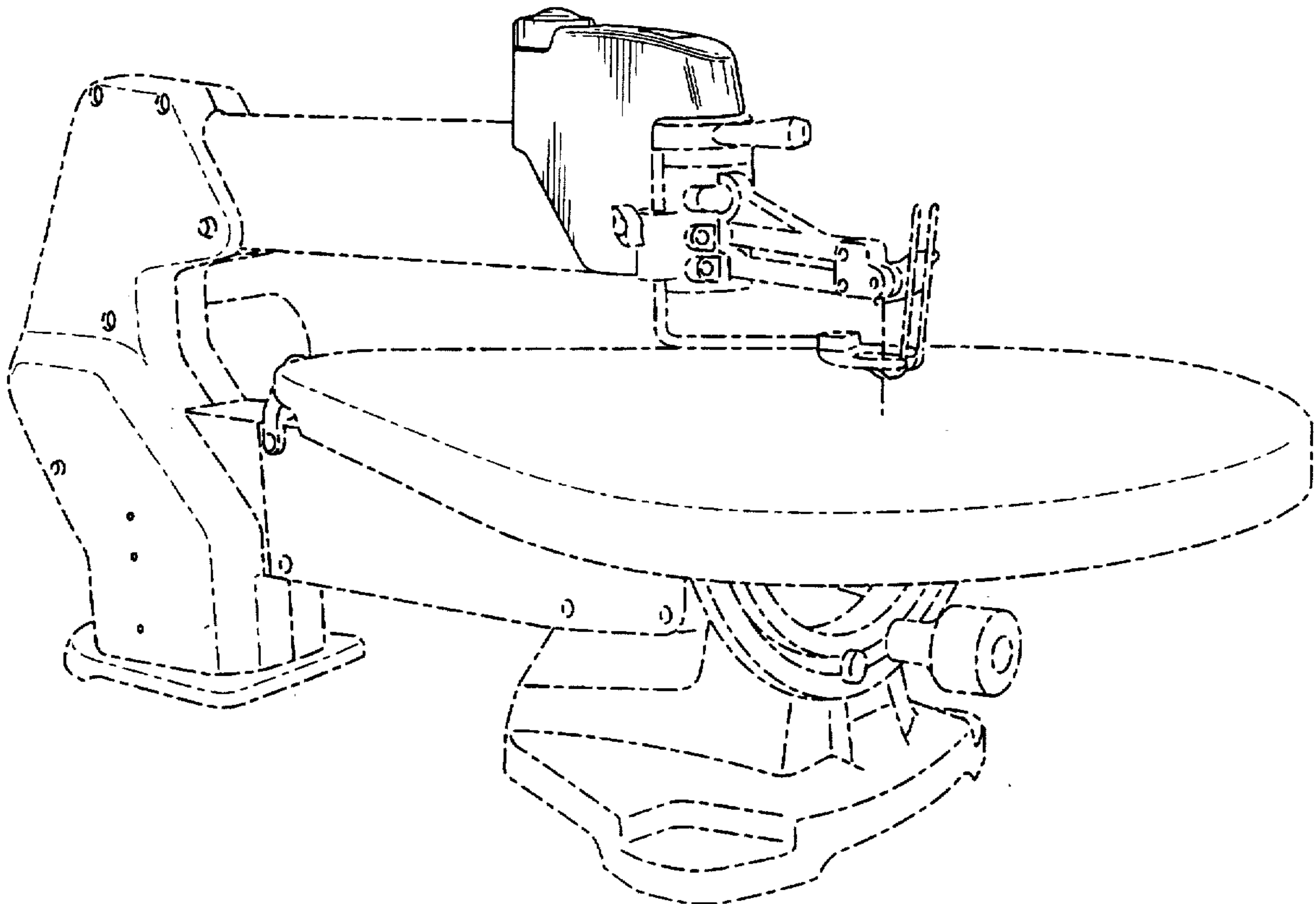
FIG. 1 is a left side perspective view from the front of my new design of a control housing for a scroll saw;
FIG. 2 is a left side elevational view of my new design;
FIG. 3 is a right side elevational view of my design;
FIG. 4 is a front elevational view of my design;
FIG. 5 is a rear elevational view of my design;
FIG. 6 is a top plan view of my design; and,
FIG. 7 is a right side perspective view from the rear of my new design.

[56] **References Cited**

U.S. PATENT DOCUMENTS

D. 327,279 6/1992 Brickner et al. D15/133
D. 350,968 9/1994 Chang D15/133

1 Claim, 6 Drawing Sheets



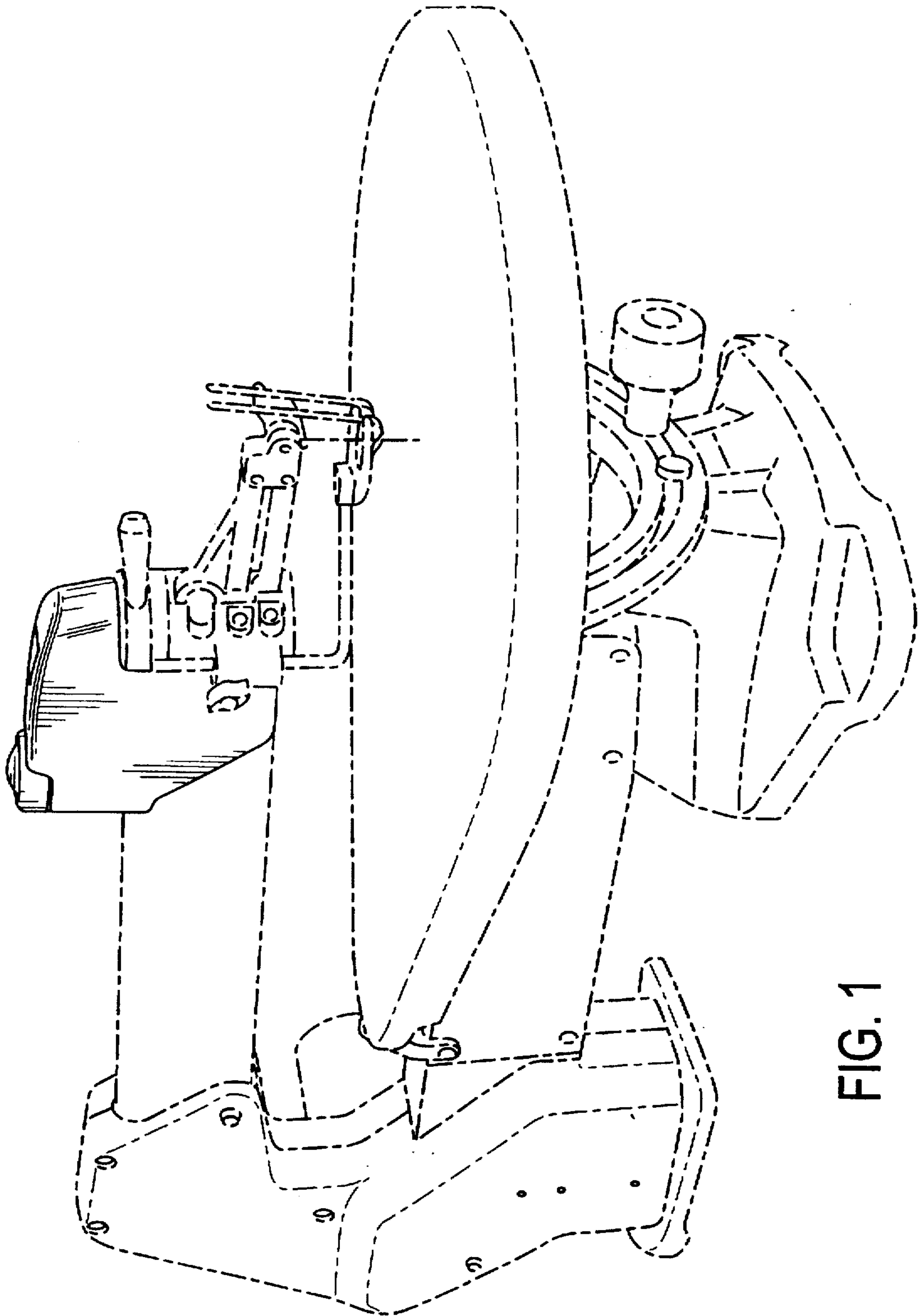


FIG. 1

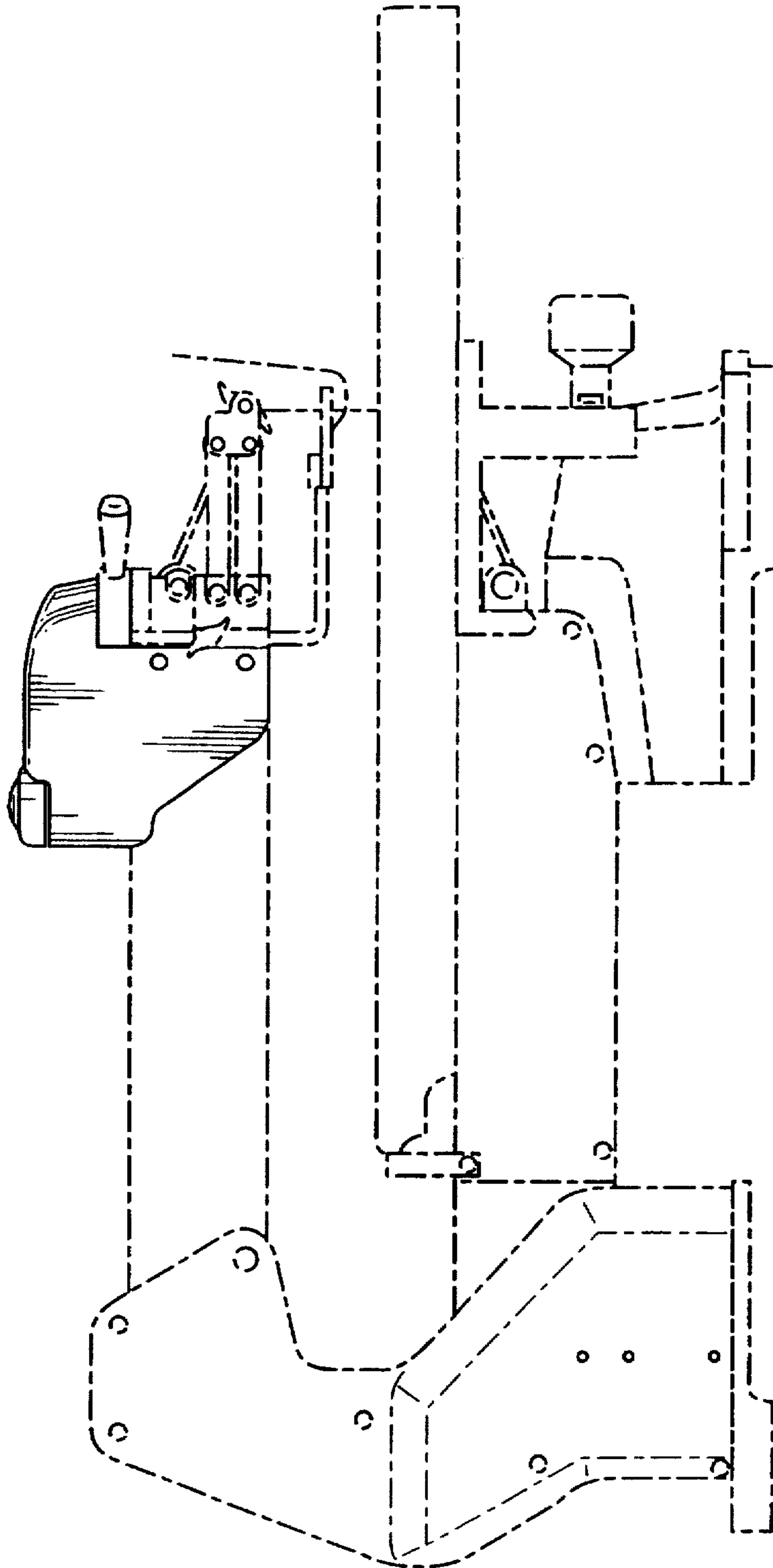


FIG. 2

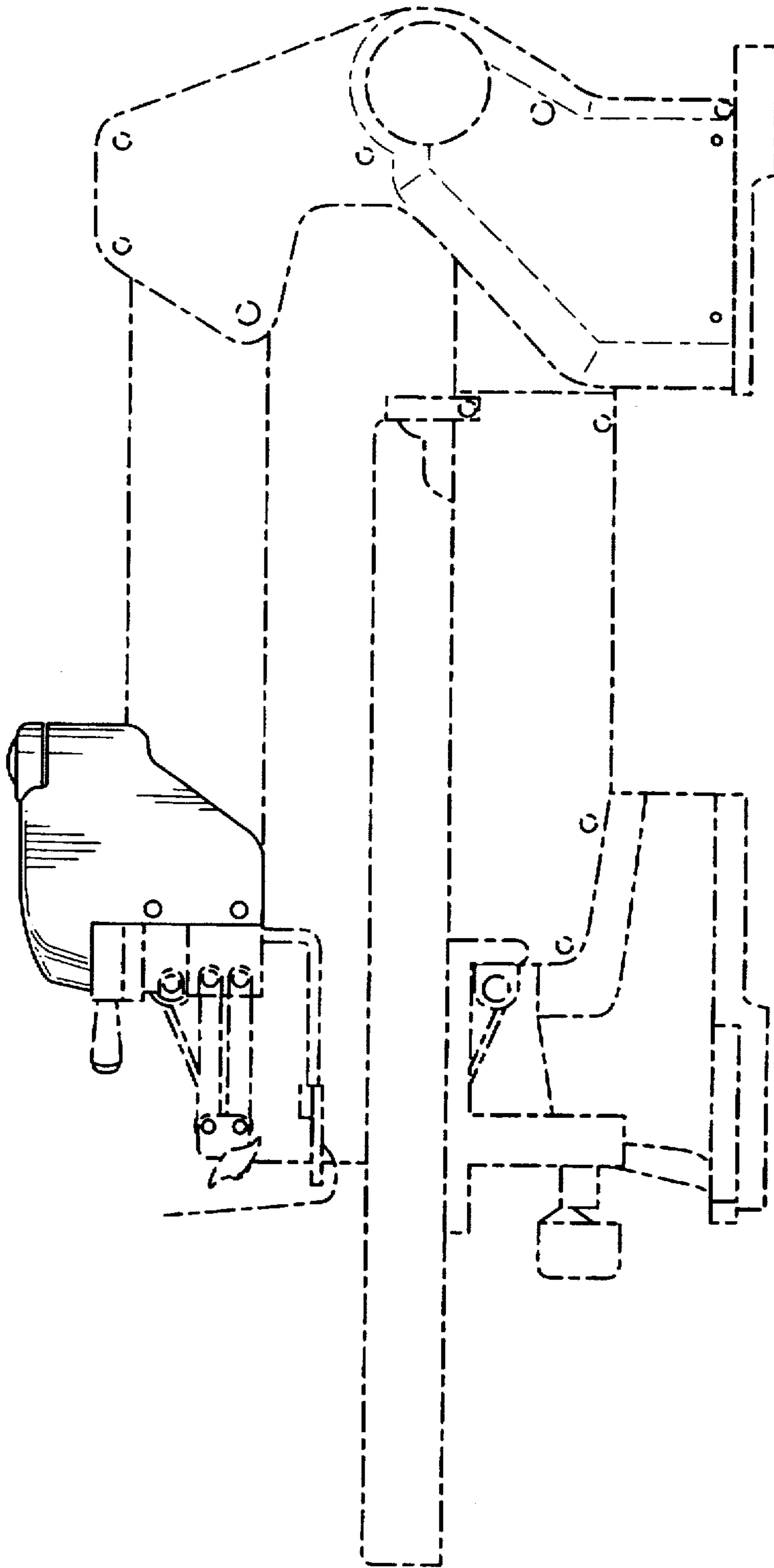


FIG. 3

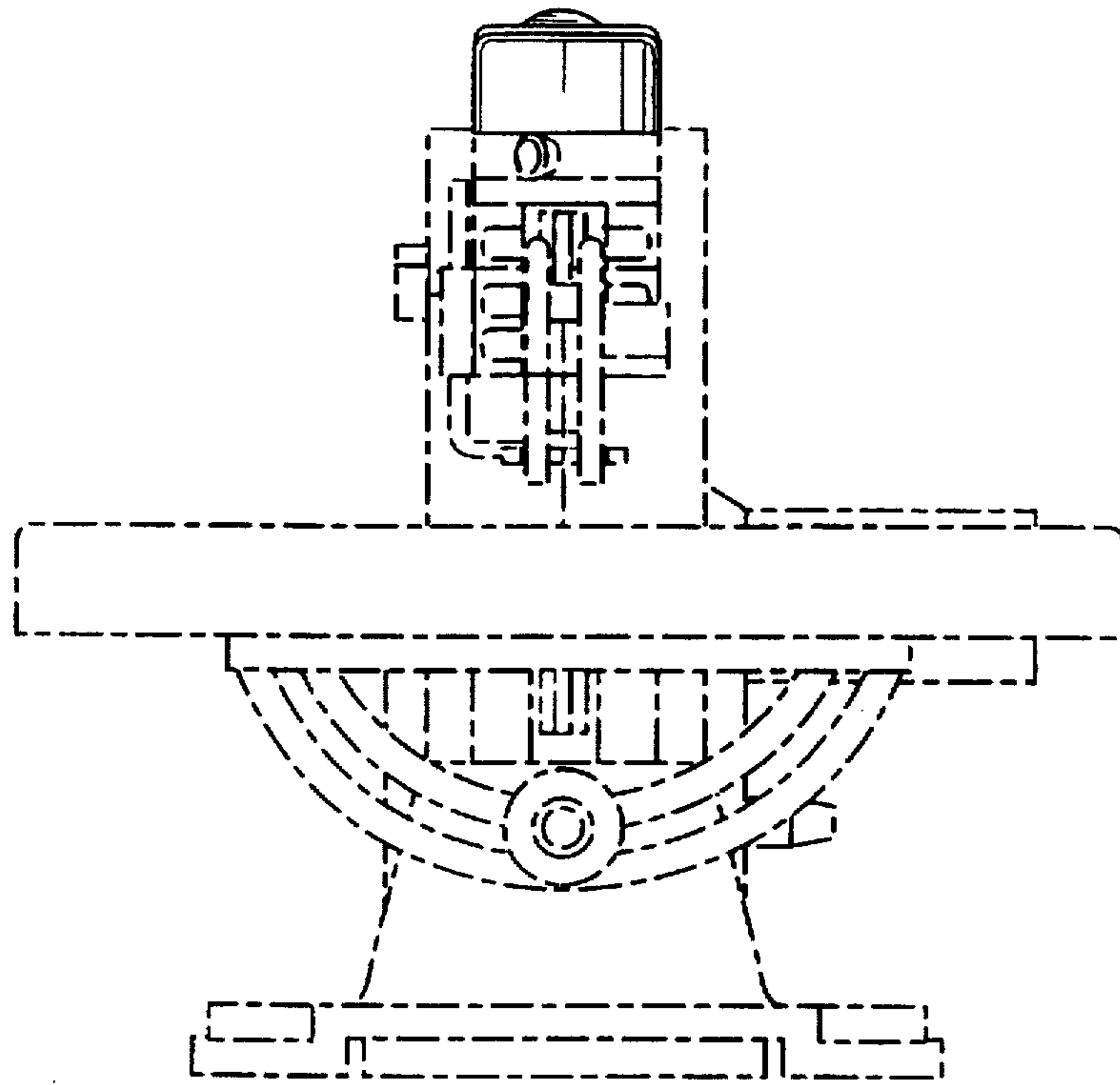


FIG. 4

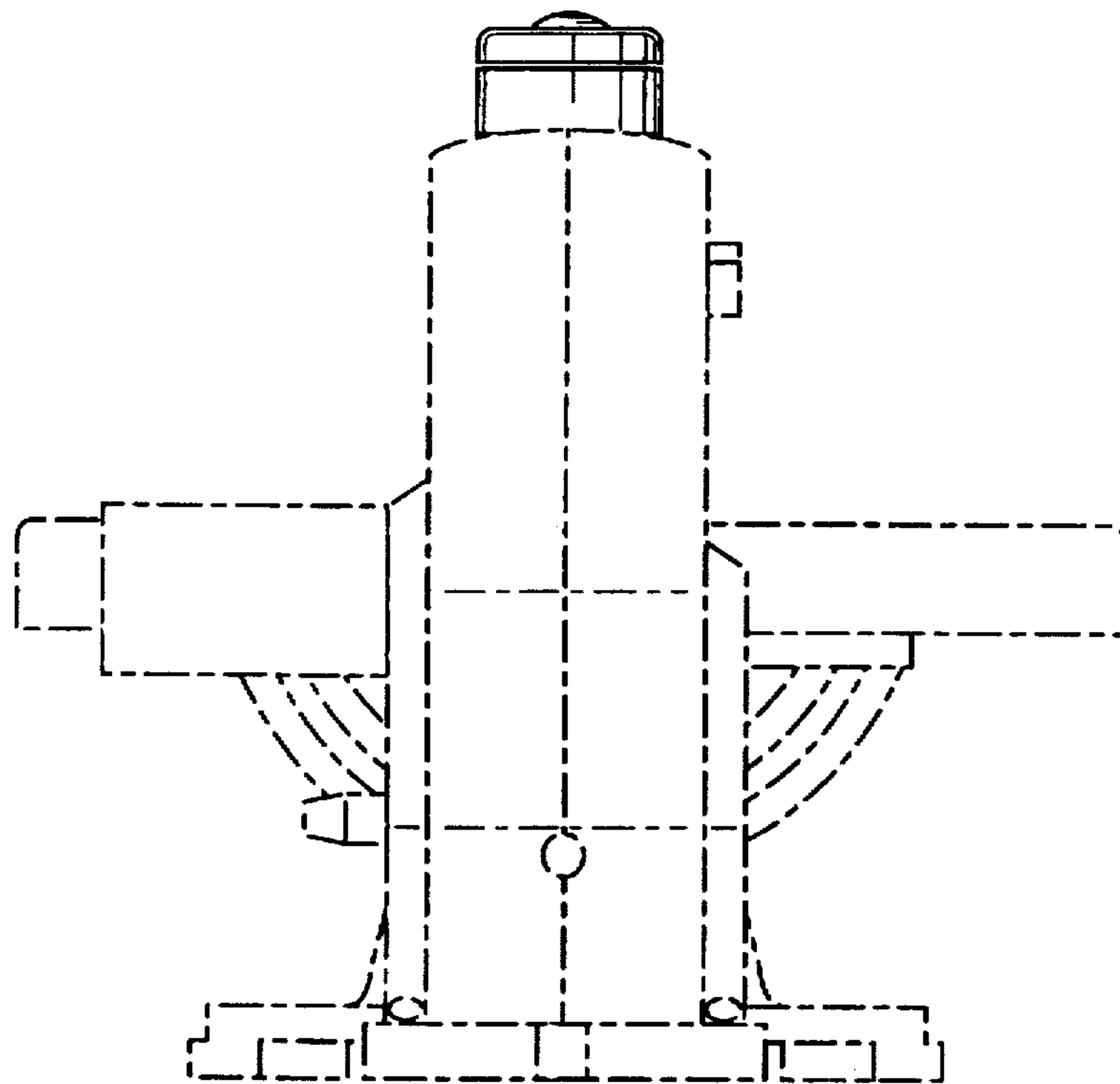


FIG. 5

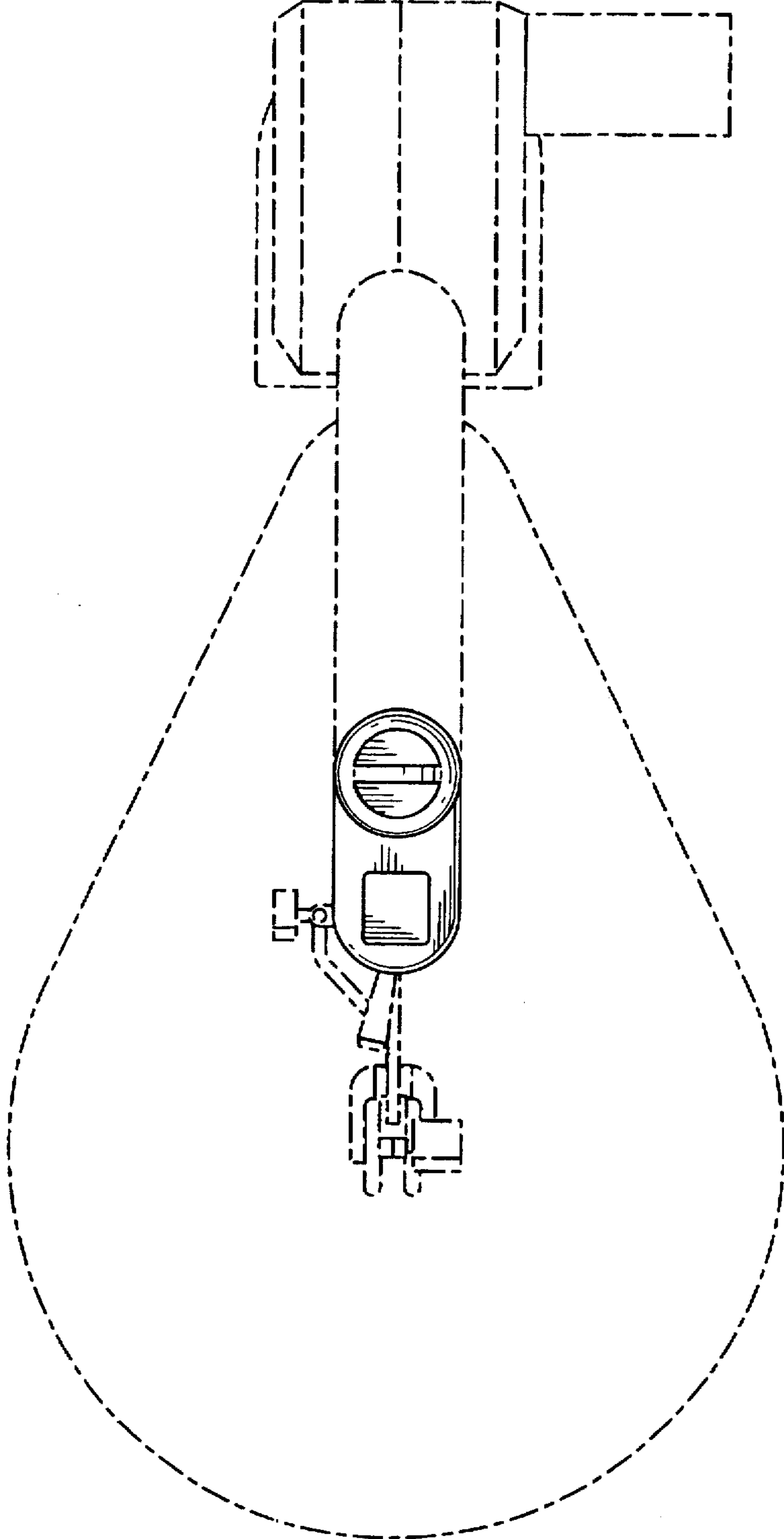


FIG. 6

